



US00D850369S

(12) **United States Design Patent**
Wang

(10) **Patent No.:** **US D850,369 S**

(45) **Date of Patent:** **** Jun. 4, 2019**

(54) **CHARGING STATION FOR ELECTRONIC DEVICES**

(71) Applicant: **Shenzhen Tegong Electronic Technology Co., Ltd., Shenzhen (CN)**

(72) Inventor: **Bing Wang, Shenzhen (CN)**

(73) Assignee: **SHENZHEN TEGONG ELECTRONIC TECHNOLOGY CO., LTD., Shenzhen (CN)**

(**) Term: **15 Years**

(21) Appl. No.: **29/633,553**

(22) Filed: **Jan. 15, 2018**

(51) **LOC (11) Cl.** **13-02**

(52) **U.S. Cl.**
USPC **D13/108**

(58) **Field of Classification Search**
USPC D13/107–110, 118–119, 184, 199;
D14/251, 253, 432, 434
CPC Y02E 60/12; Y02T 90/14; Y02T 90/122;
Y02T 90/128; Y02T 90/163; H02J 7/025;
H02J 7/0042; H02J 7/0044; H02J 7/0045;
H02J 7/0003; H01F 38/14; H01R
13/6675; H01M 2/1022; H01M 2/1055;
H01M 10/44; H01M 10/46; H01M
10/425; B60L 11/182
See application file for complete search history.

(56) **References Cited**

U.S. PATENT DOCUMENTS

D609,637 S * 2/2010 Chu D13/108
D642,124 S * 7/2011 Budike, Jr. D13/108

D705,722 S * 5/2014 Gengler D13/107
D709,445 S * 7/2014 Yeh D13/107
D736,703 S * 8/2015 Kotaniemi D13/108
D761,729 S * 7/2016 Leong D13/108
D778,829 S * 2/2017 Marmus D13/108
9,601,934 B2 * 3/2017 Ikegami H02J 7/0044
D818,432 S * 5/2018 Zhu D13/108
D820,783 S * 6/2018 Gelder D13/107
D823,792 S * 7/2018 Komoni D13/107
D823,796 S * 7/2018 Zhang D13/108

* cited by examiner

Primary Examiner — Rosemary K Tarcza

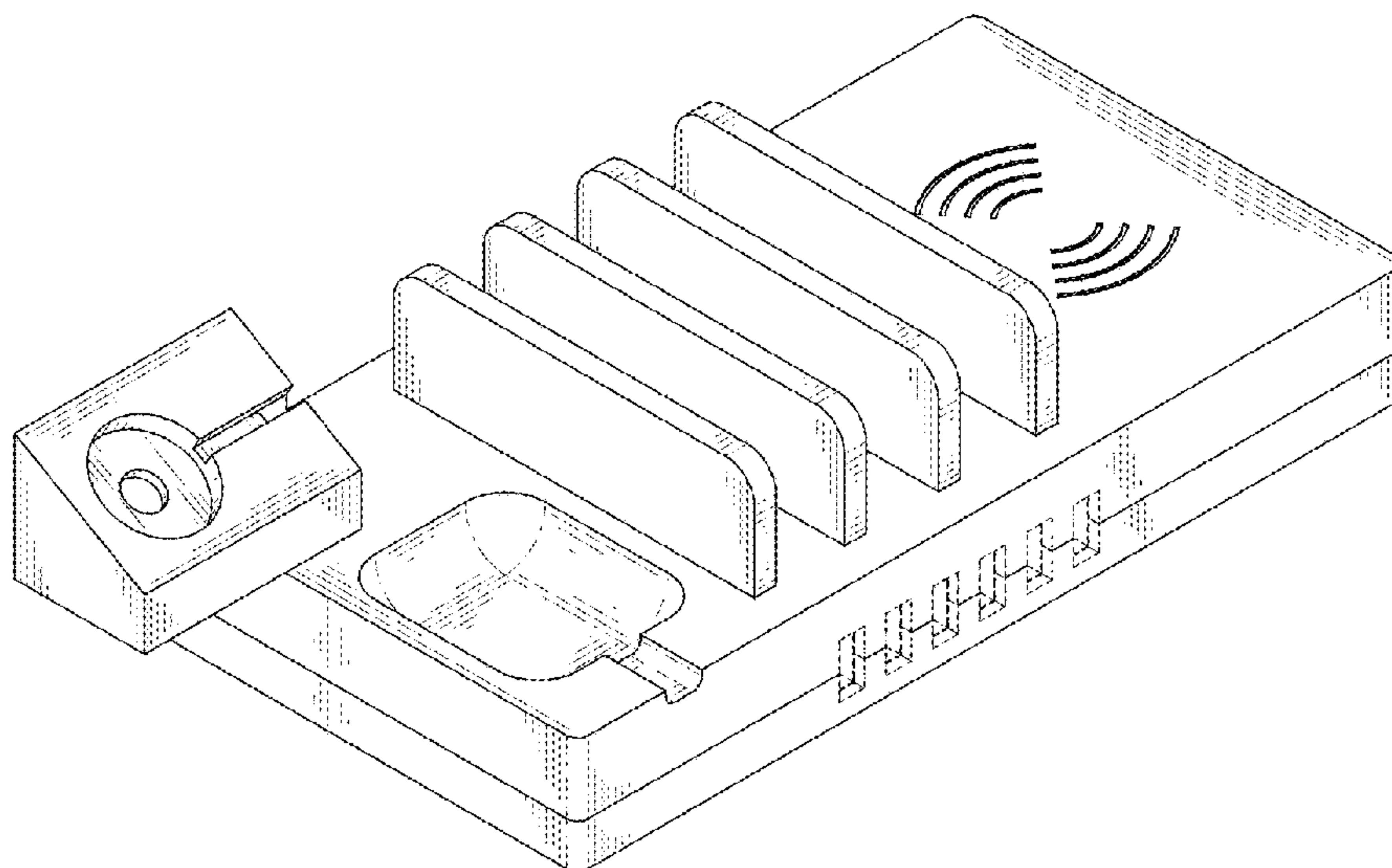
(57) **CLAIM**

The ornamental design for a charging station for electronic devices, as shown and described.

DESCRIPTION

FIG. 1 is a front perspective view of a charging station for electronic devices showing my new design; FIG. 2 is a rear perspective view thereof; FIG. 3 is a front elevational view thereof; FIG. 4 is a rear elevational view thereof; FIG. 5 is a left side elevational view thereof; FIG. 6 is a right side elevational view thereof; FIG. 7 is a top plan view thereof; and, FIG. 8 is a bottom plan view thereof. The broken lines are for the purpose of illustrating portions of the charging station for electronic devices that form no part of the claimed design.

1 Claim, 8 Drawing Sheets



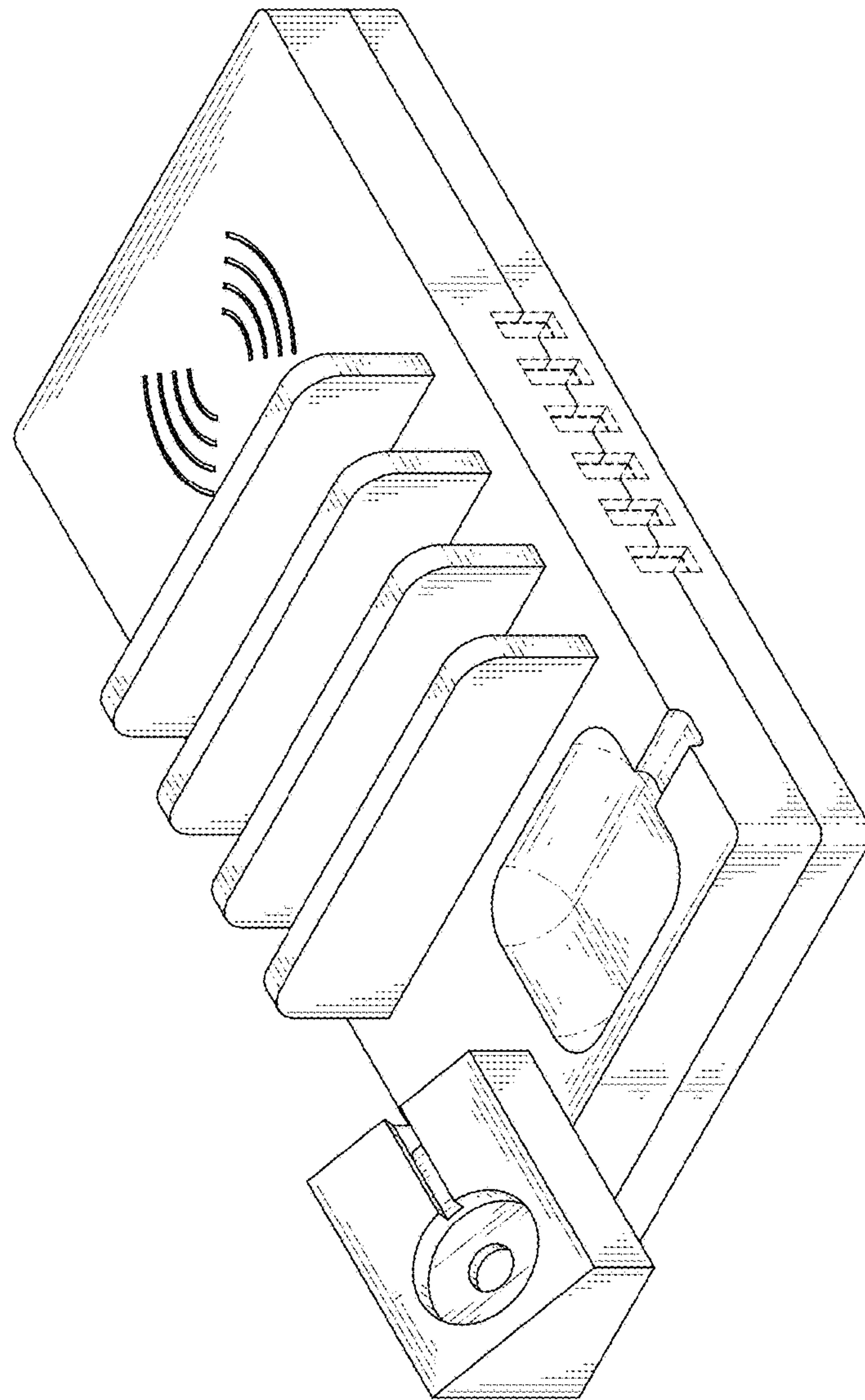


FIG. 1

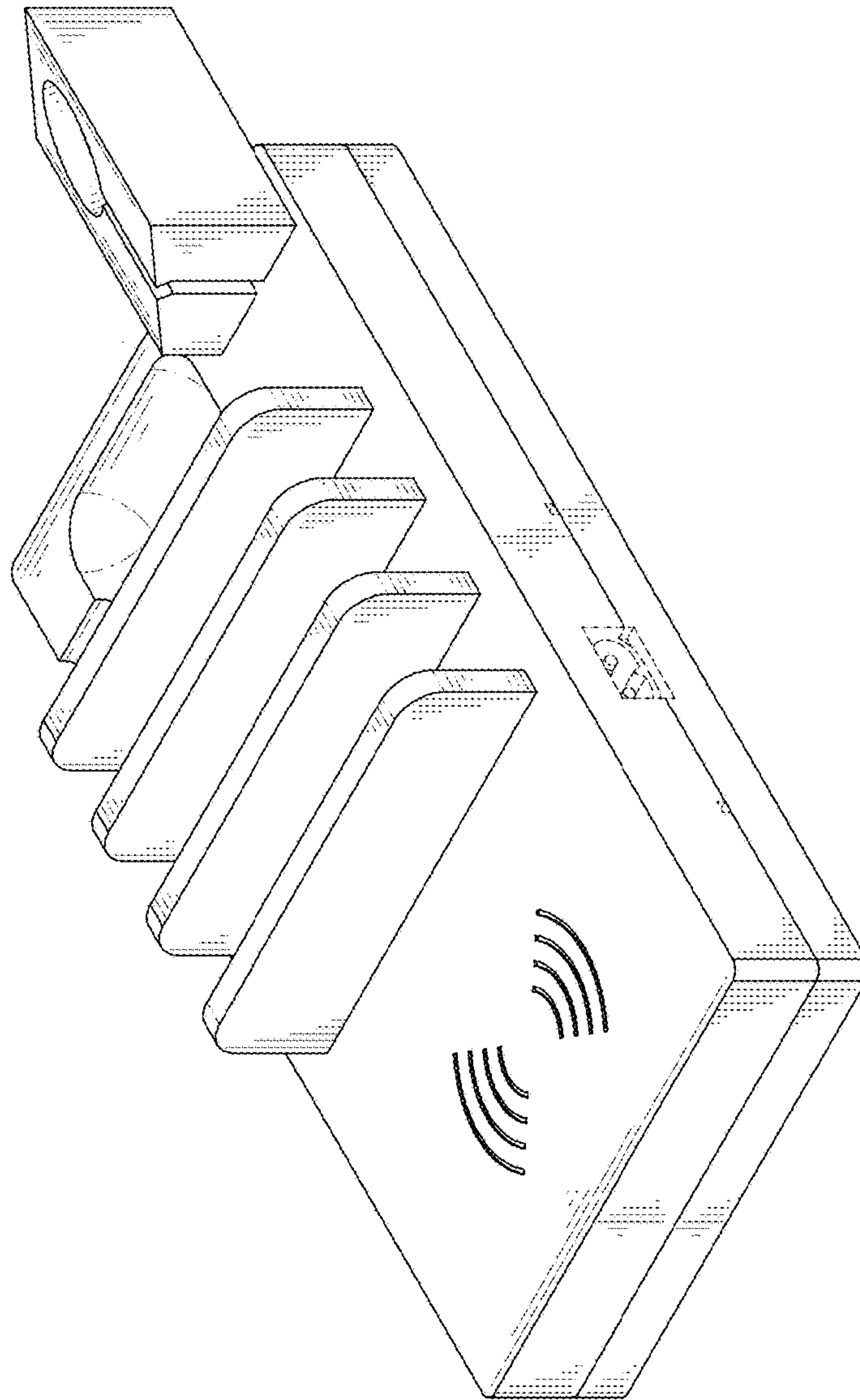


FIG. 2

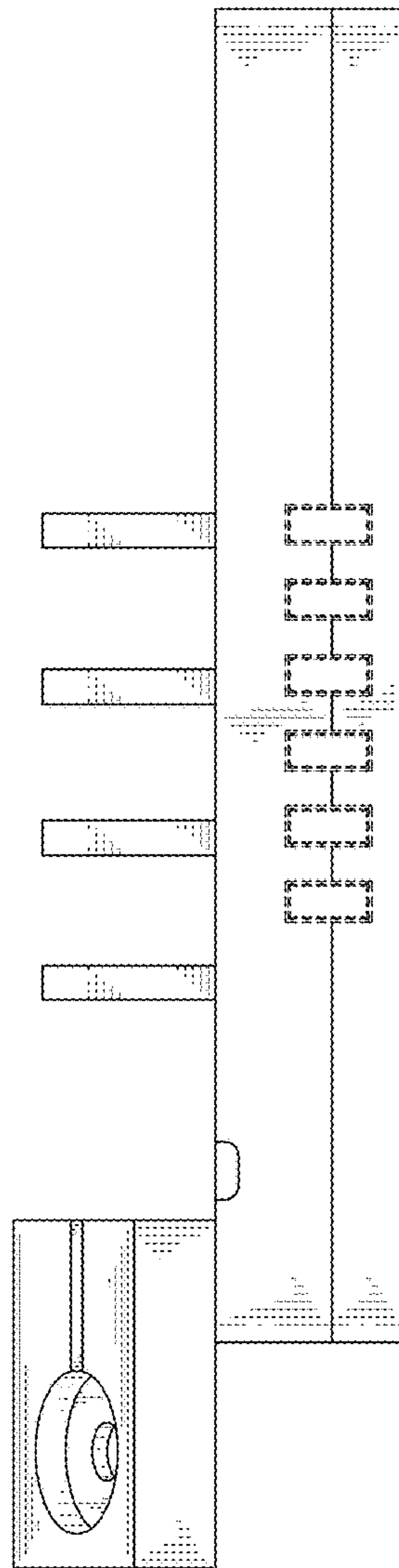


FIG. 3

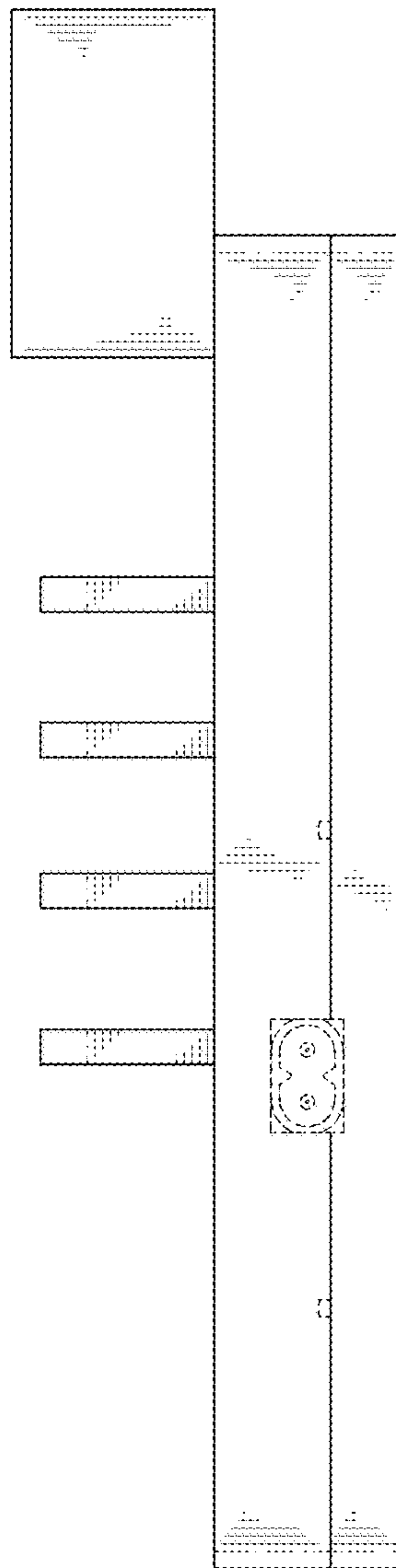


FIG. 4

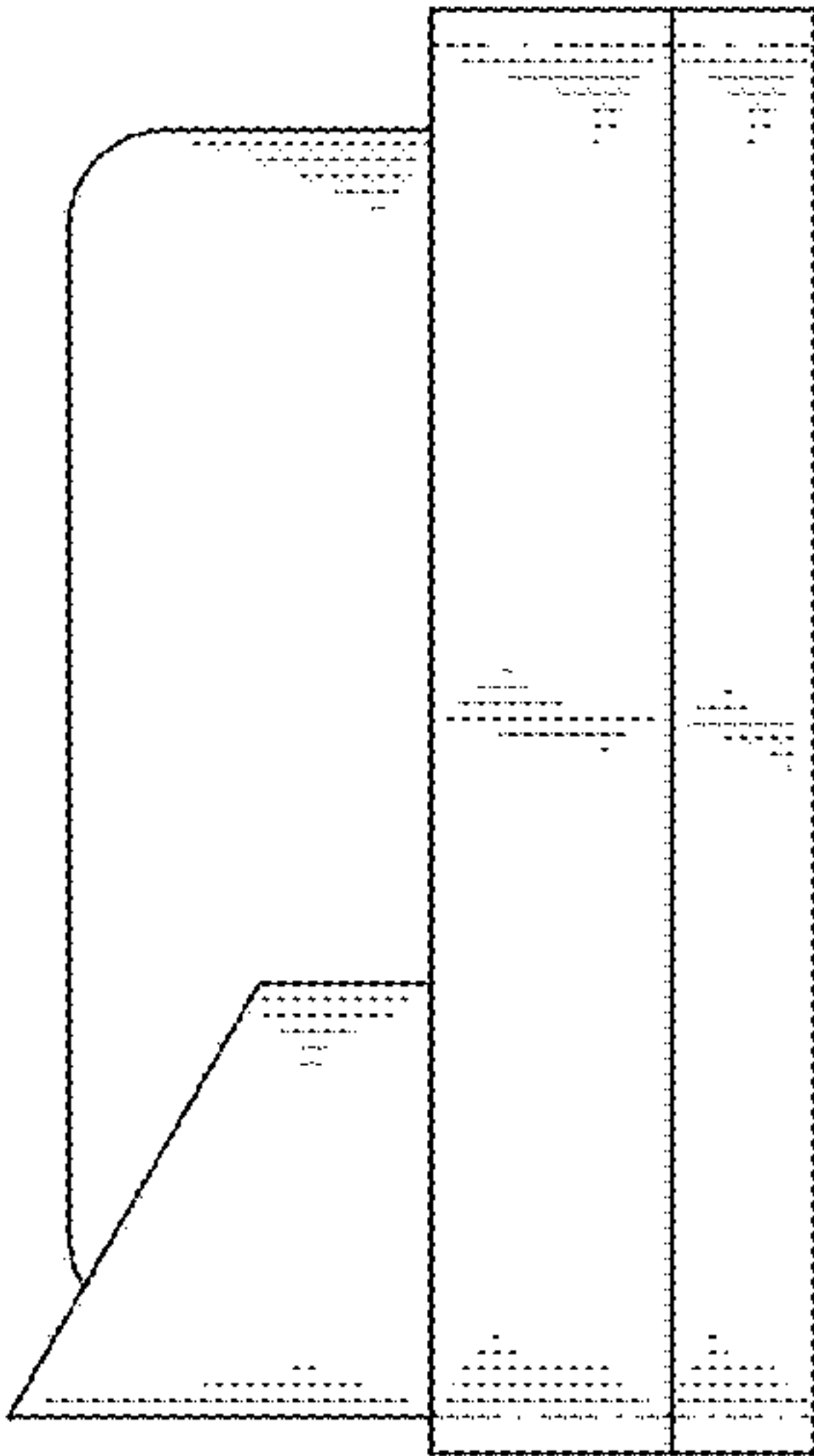


FIG. 5

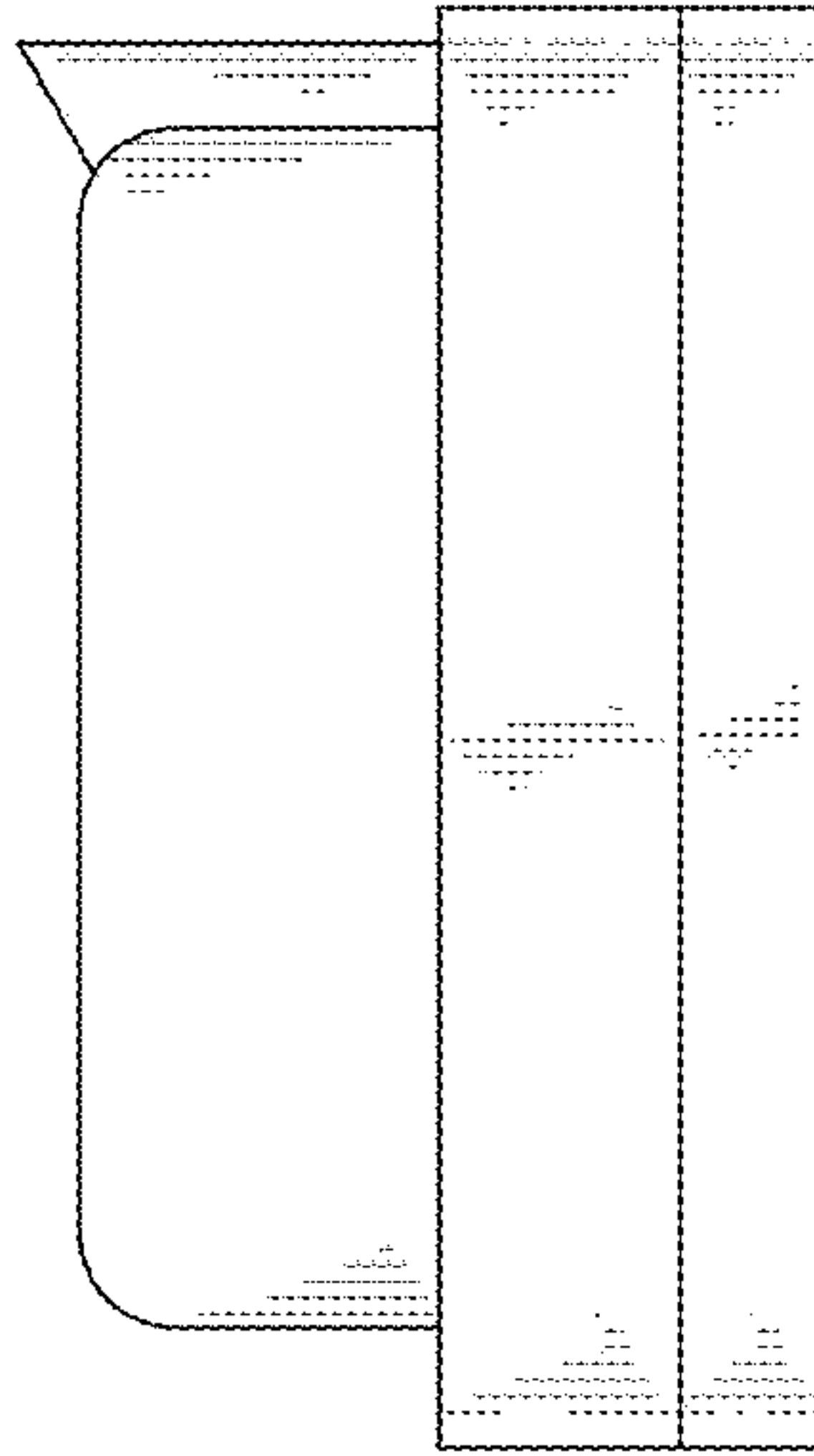


FIG. 6

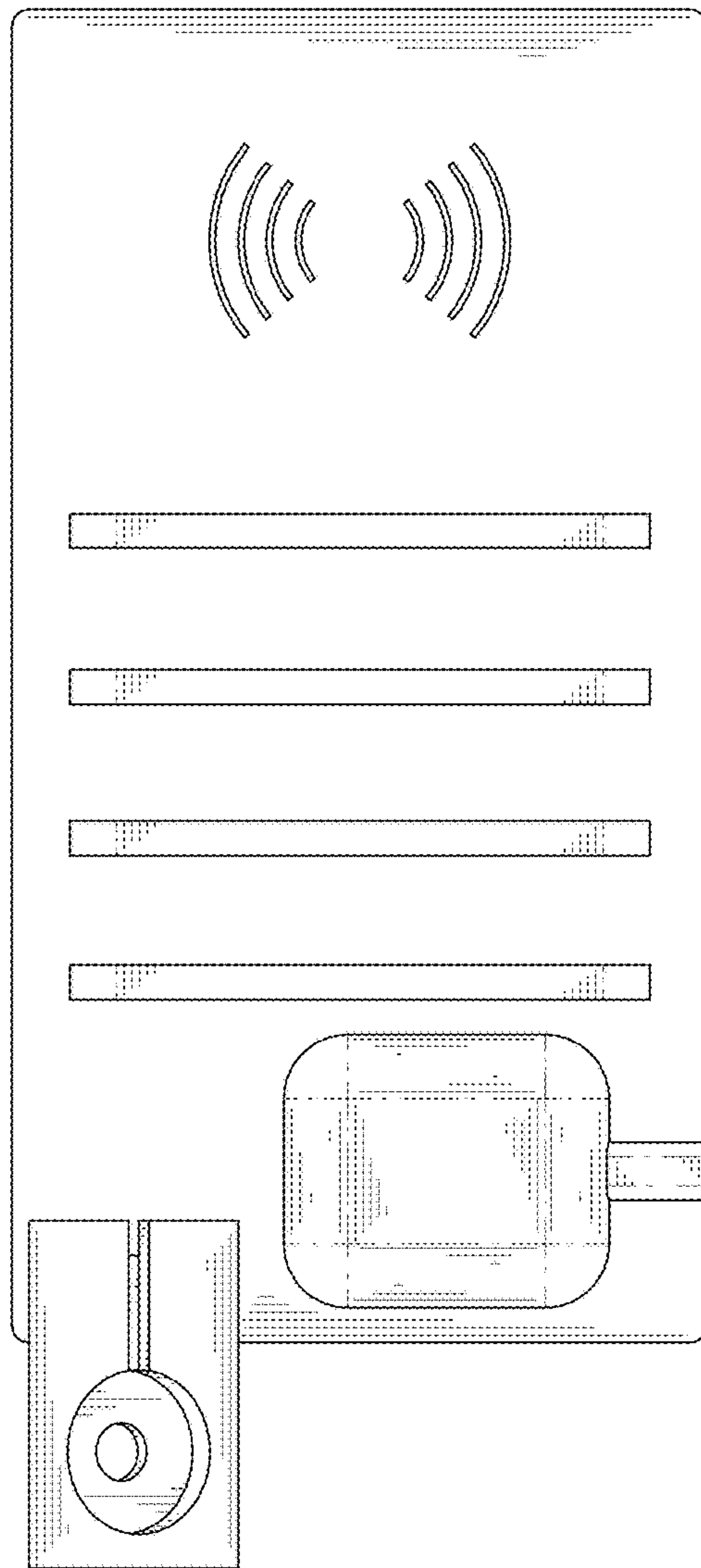


FIG. 7

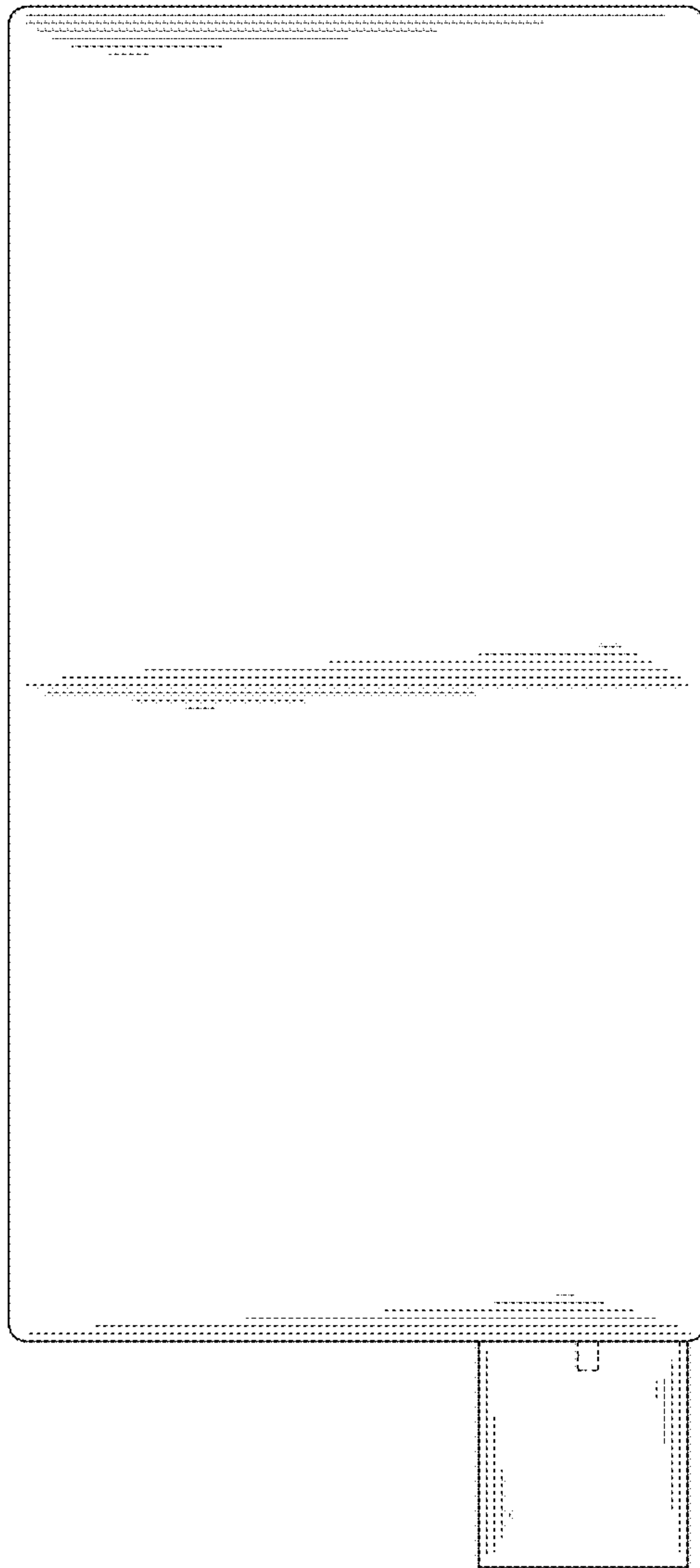


FIG. 8