



US00D850366S

(12) **United States Design Patent**
Zou

(10) **Patent No.:** **US D850,366 S**
(45) **Date of Patent:** **** Jun. 4, 2019**

(54) **USB CHARGER**

(71) Applicant: **Shenzhen Allmaybe Electronics Co., Ltd.**, Shenzhen (CN)

(72) Inventor: **Weihua Zou**, Shenzhen (CN)

(**) Term: **15 Years**

(21) Appl. No.: **29/628,001**

(22) Filed: **Nov. 30, 2017**

(30) **Foreign Application Priority Data**

Jul. 3, 2017 (CN) 2017 3 0284904

(51) **LOC (11) Cl.** **13-02**

(52) **U.S. Cl.**
USPC **D13/108**

(58) **Field of Classification Search**
USPC D13/103, 107-110, 118-119, 184, 199;
D8/353, 381; D14/251, 253, 432, 434;
D28/73
CPC B60L 11/182; Y02E 60/12; Y02T 90/14;
Y02T 90/122; Y02T 90/128; Y02T
90/163; H02J 7/025; H02J 7/0042; H02J
7/0044; H02J 7/0045; H02J 7/0003; H01F
38/14; H01M 2/1022; H01M 2/1055;
H04B 1/14; H04B 1/18
See application file for complete search history.

(56) **References Cited**

U.S. PATENT DOCUMENTS

- 7,621,765 B1 * 11/2009 Wu H01R 31/06
439/173
- D650,330 S * 12/2011 Dong D13/108
- D663,687 S * 7/2012 Liu D13/108
- D689,819 S * 9/2013 Olsson D13/110
- D731,970 S * 6/2015 Kamath D13/110
- D732,472 S * 6/2015 Laffon D13/110
- D756,913 S * 5/2016 Esses D13/107
- D756,916 S * 5/2016 Yang D13/108
- D790,464 S * 6/2017 He D13/110

- D804,412 S * 12/2017 Huang D13/108
- D807,822 S * 1/2018 Senff D13/110
- D811,329 S * 2/2018 Roberts D13/110

(Continued)

OTHER PUBLICATIONS

Allmaybe EU2 Quick Charge 3.0, Allmaybe, reviewed on Sep. 10, 2017 on amazon.com, retrieved on Oct. 26, 2018, retrieved from the Internet URL: https://www.amazon.com/allmaybe-Charger-Display-Foldable-Compatible/dp/B07533J4GB/ref=sr_1_3?ie=UTF8&qid=1540573504&sr=8-3&keywords=allmaybe+usb+*

Primary Examiner — Jennifer Rivard

Assistant Examiner — Alison M Ofstun

(74) *Attorney, Agent, or Firm* — Novoclaims Patent Services LLC; Mei Lin Wong

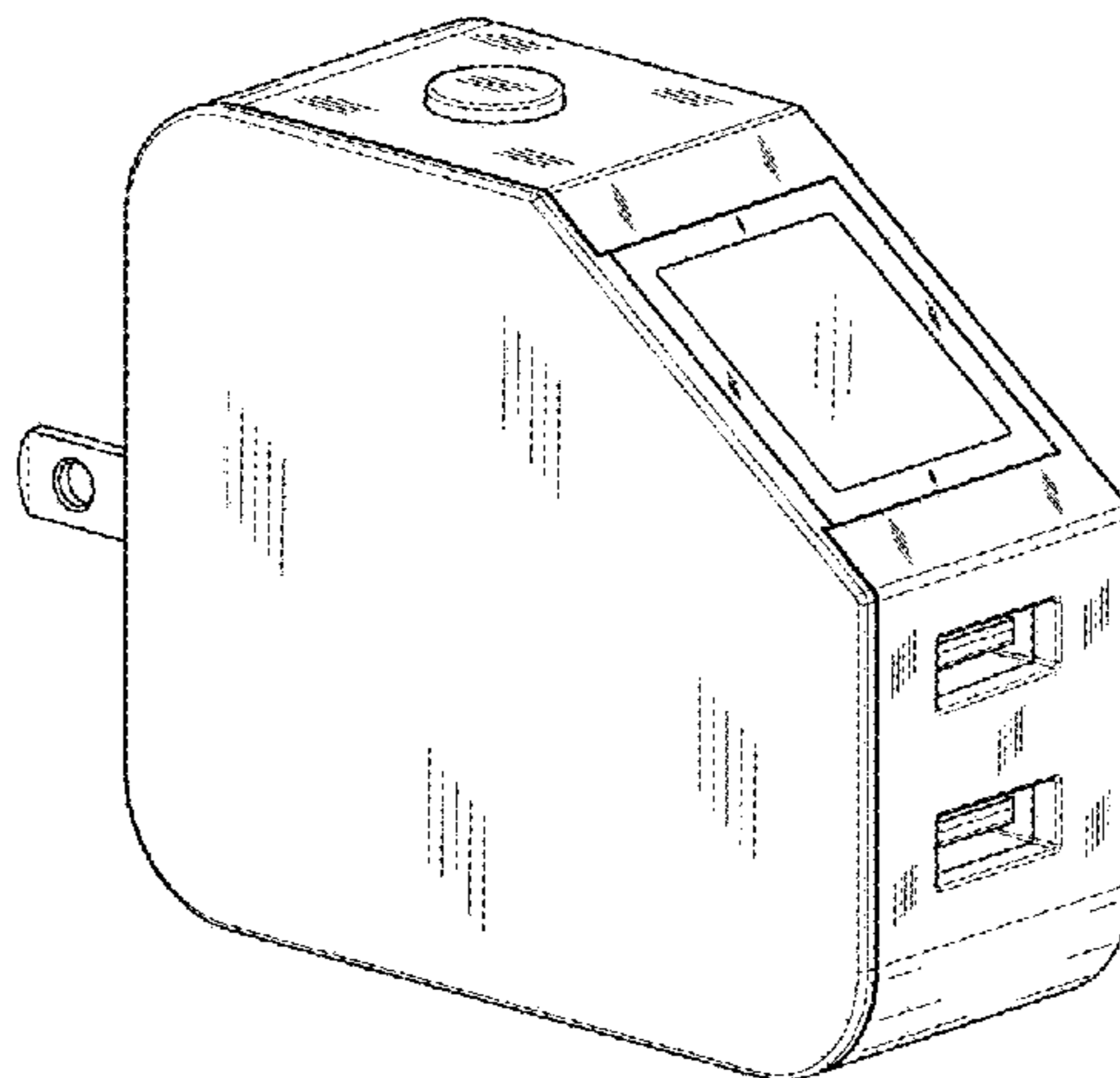
(57) **CLAIM**

The ornamental design for a USB charger, as shown and described.

DESCRIPTION

FIG. 1 is a front perspective view of a USB charger showing my new design, shown in an open position of use;
FIG. 2 is a front view thereof;
FIG. 3 is a rear view thereof;
FIG. 4 is a right end view thereof;
FIG. 5 is a left end view thereof;
FIG. 6 is a top view thereof;
FIG. 7 is a bottom view thereof;
FIG. 8 is a rear perspective view thereof;
FIG. 9 is a front perspective view thereof, shown in a closed position of use;
FIG. 10 is a rear view thereof;
FIG. 11 is a right end view thereof;
FIG. 12 is a left end view thereof;
FIG. 13 is a top view thereof;
FIG. 14 is a bottom view thereof; and,
FIG. 15 is a rear perspective view thereof.

1 Claim, 15 Drawing Sheets



(56)

References Cited

U.S. PATENT DOCUMENTS

D820,208 S *	6/2018	Lemelson	D13/110
D820,209 S *	6/2018	Lemelson	D13/110
D827,567 S *	9/2018	Nauroy	D13/108
2002/0090848 A1 *	7/2002	Yu	H01R 13/44 439/131
2011/0009005 A1 *	1/2011	Youssefi-Shams	H01R 13/44 439/628

* cited by examiner

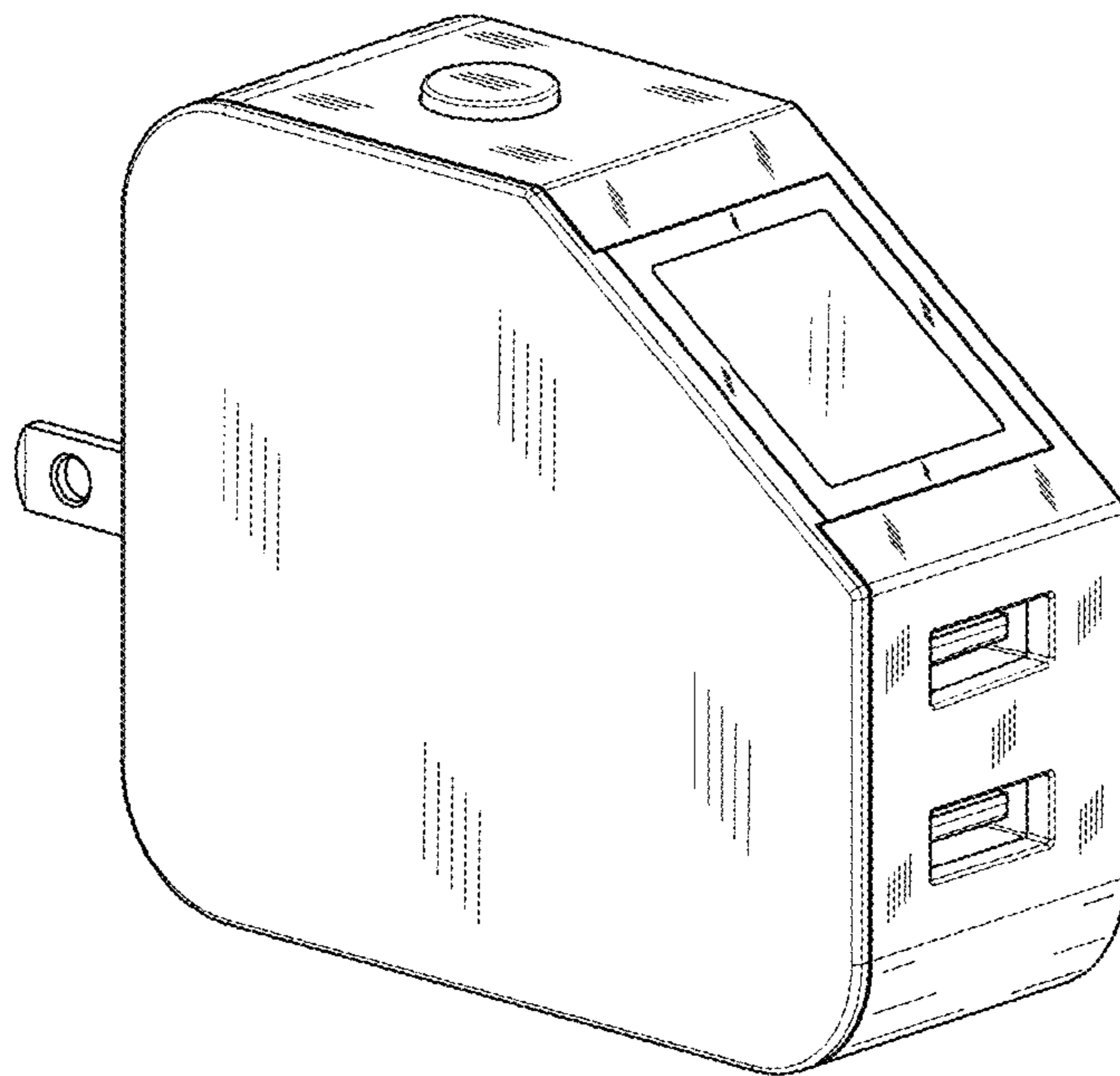


FIG.1

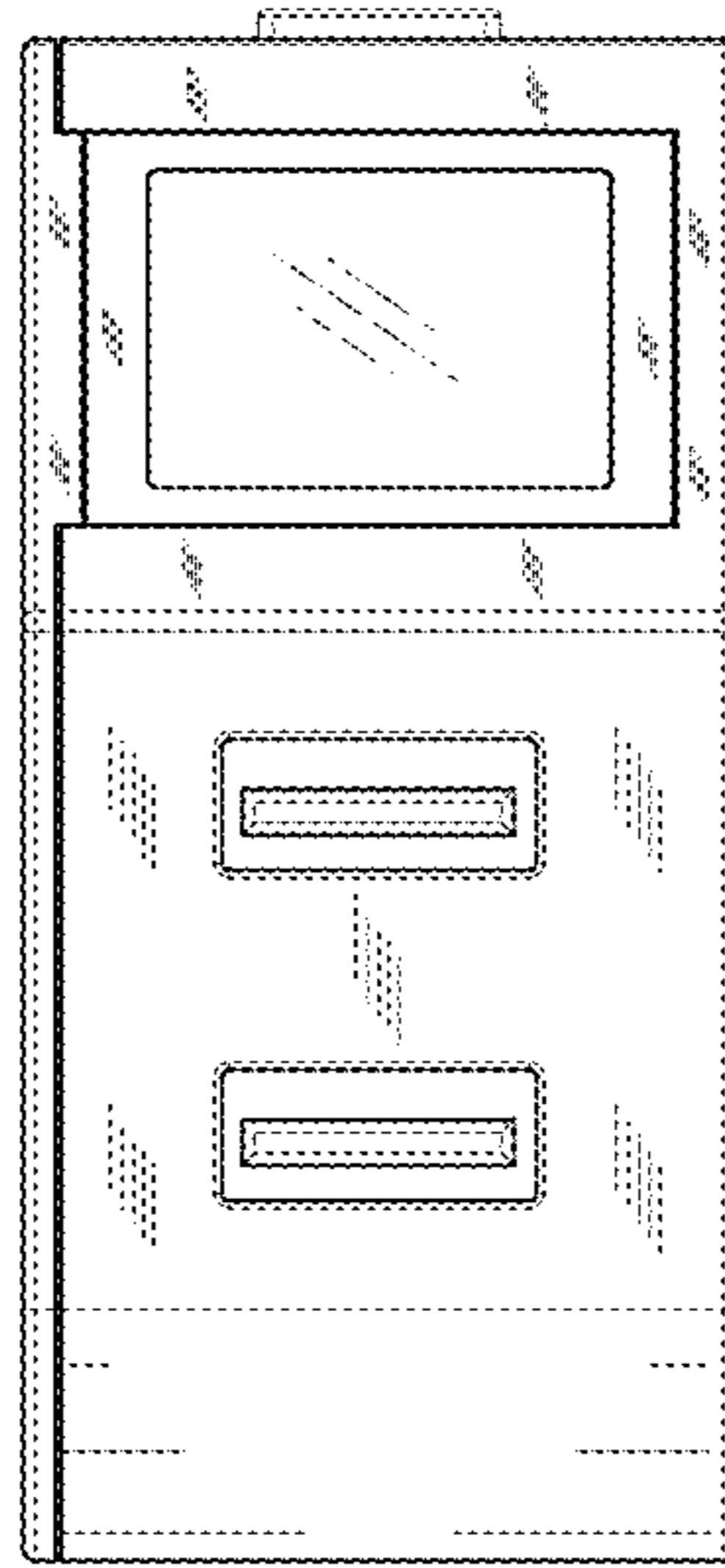


FIG.2

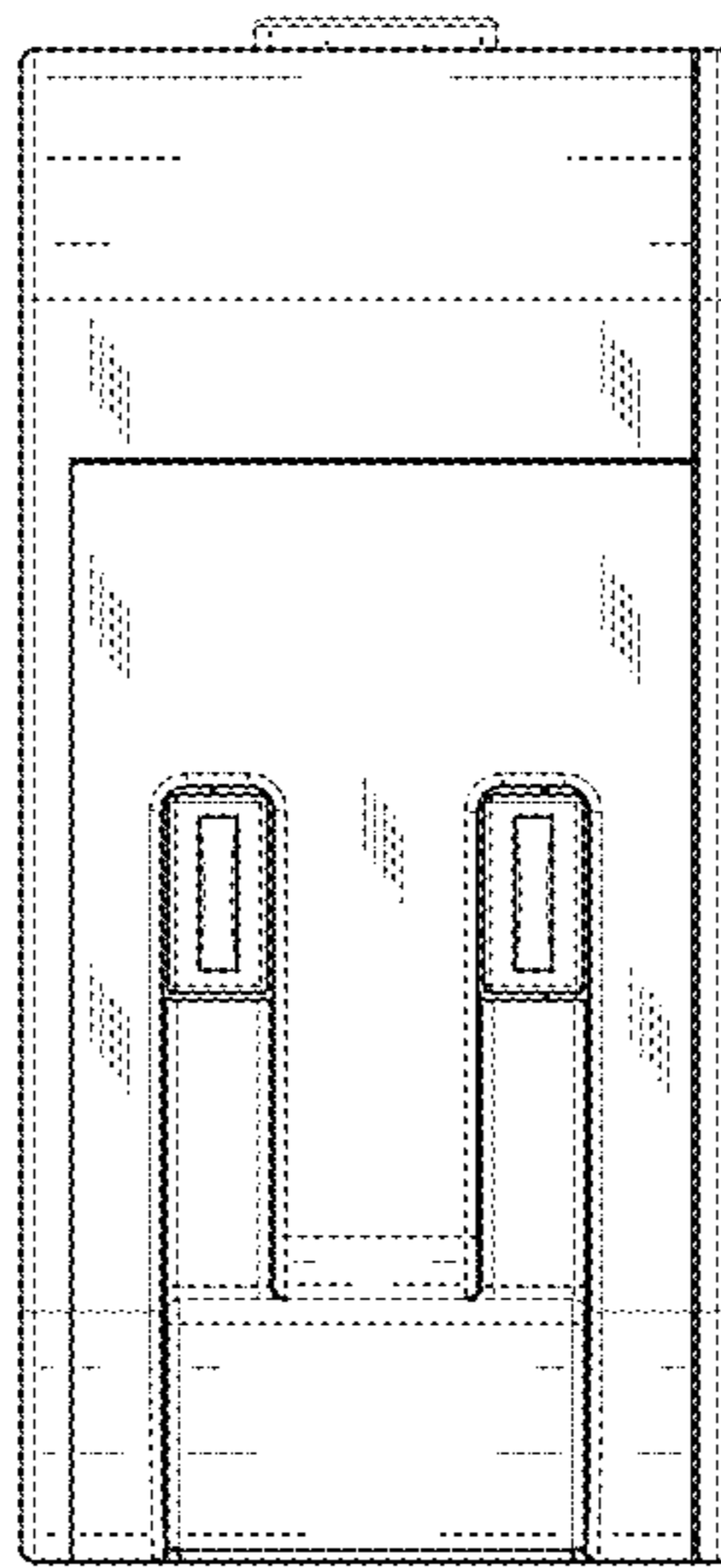


FIG. 3

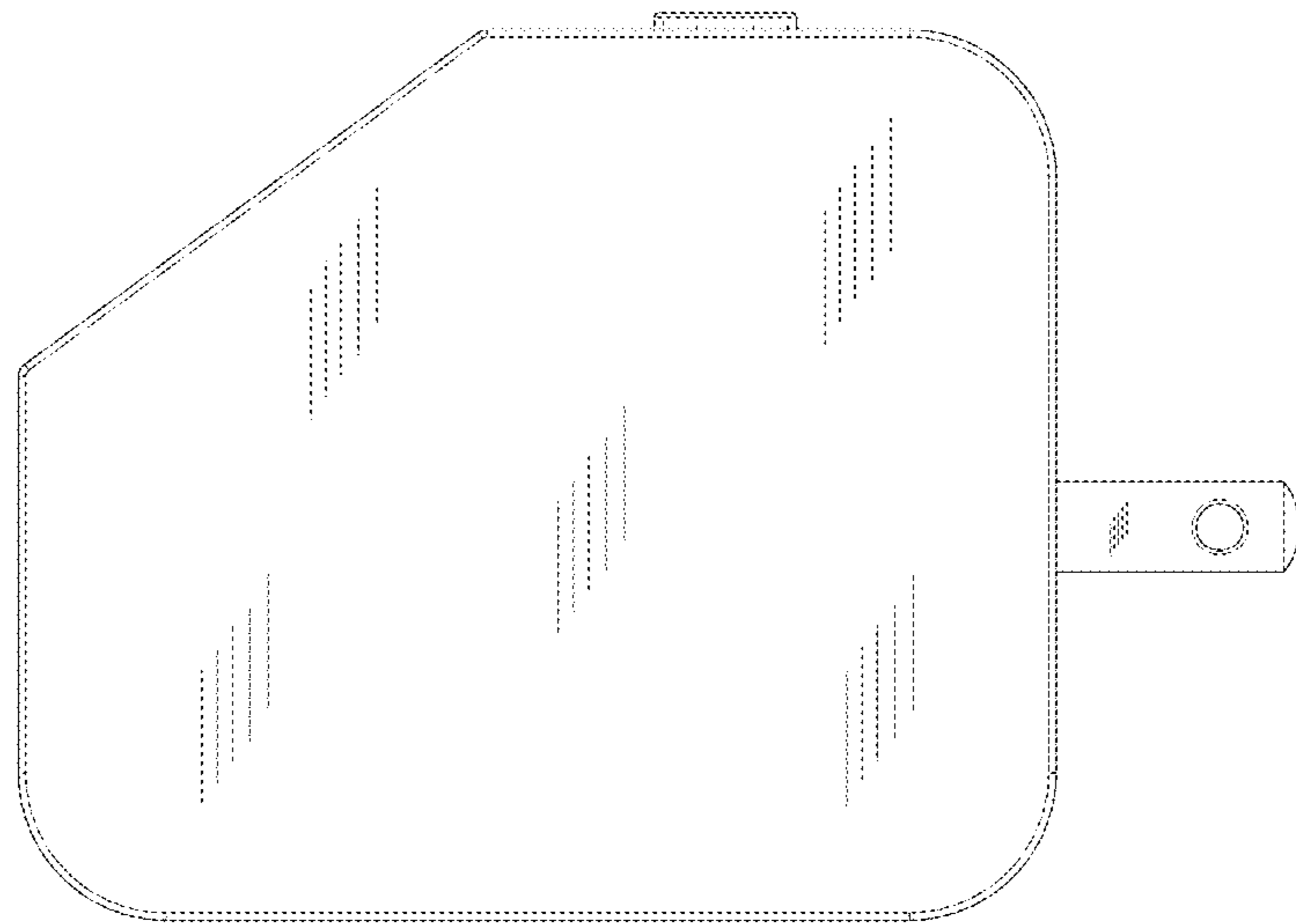


FIG. 4

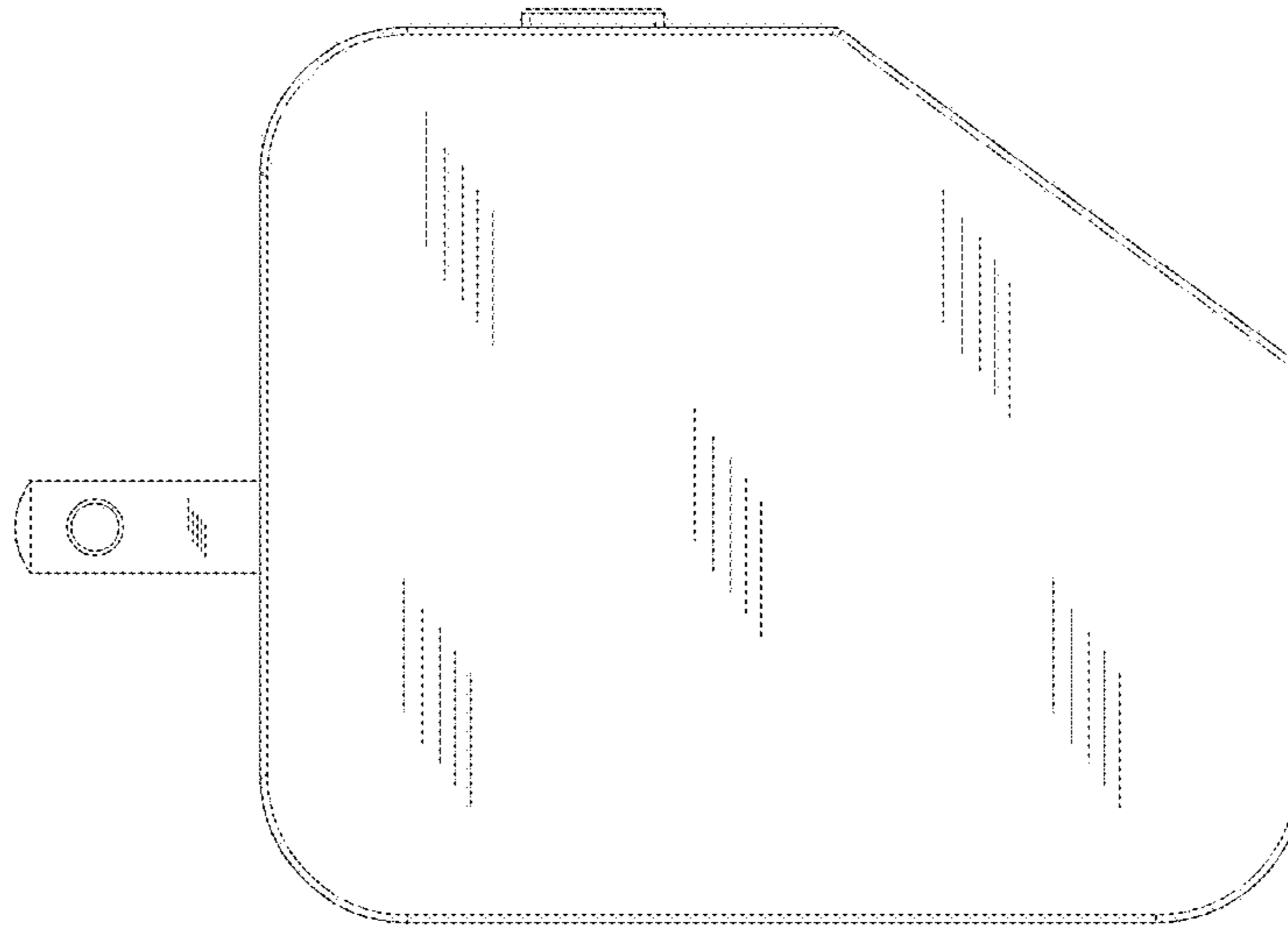


FIG. 5

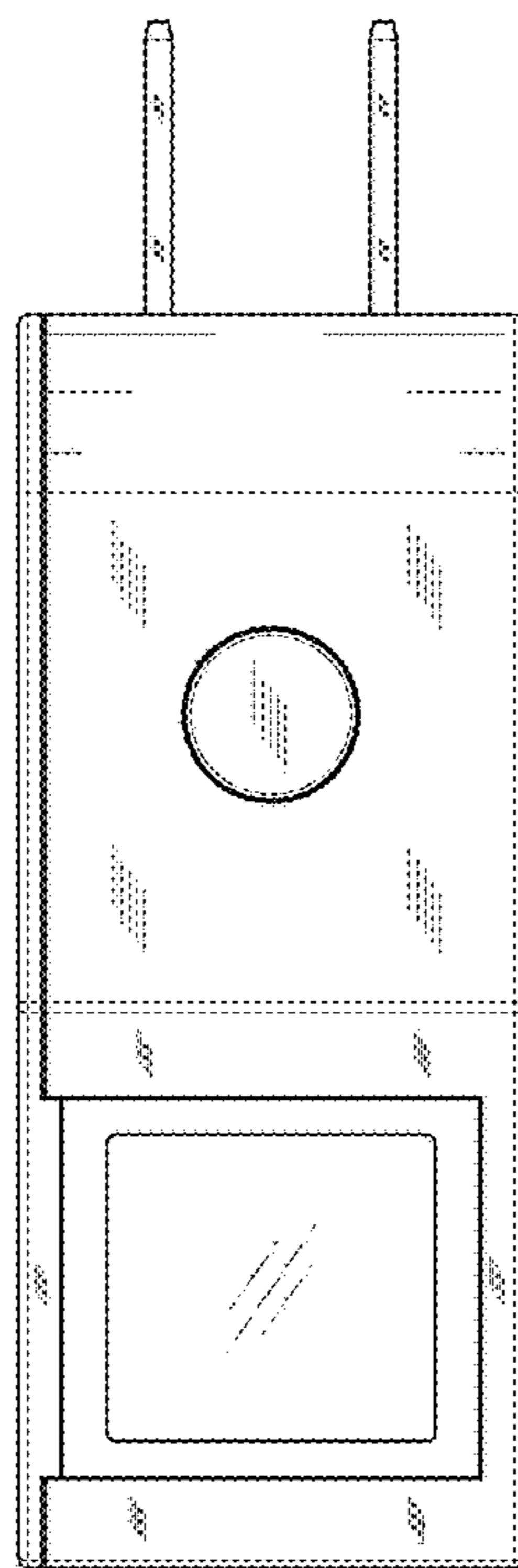


FIG.6

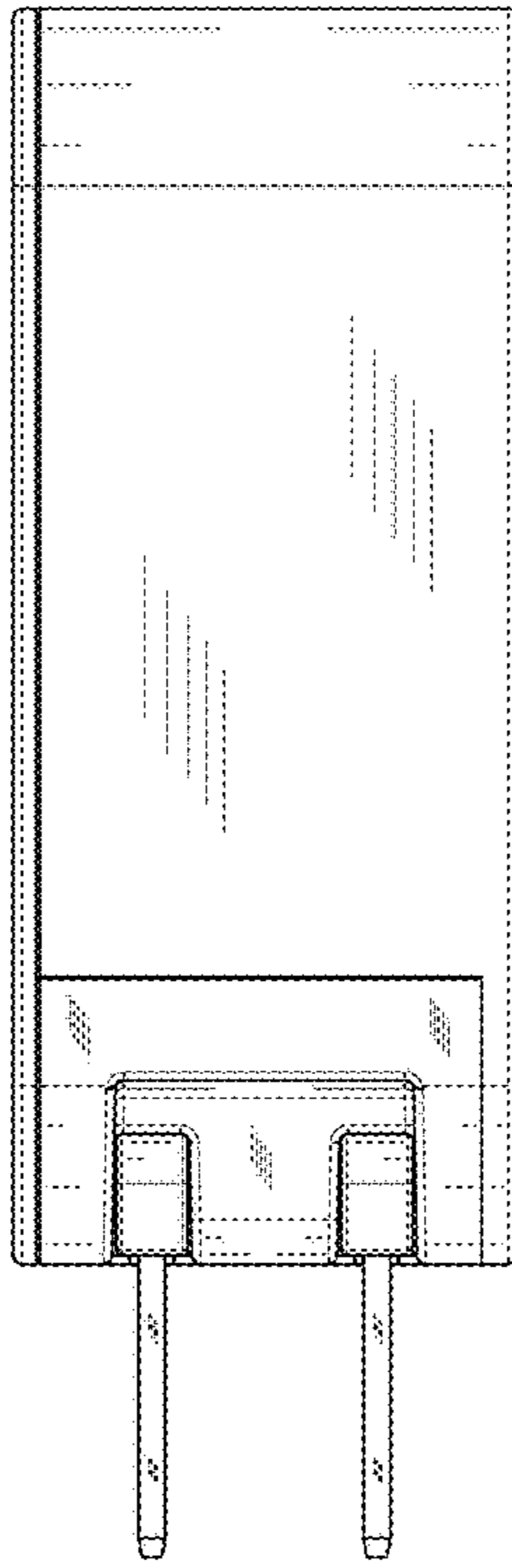


FIG. 7

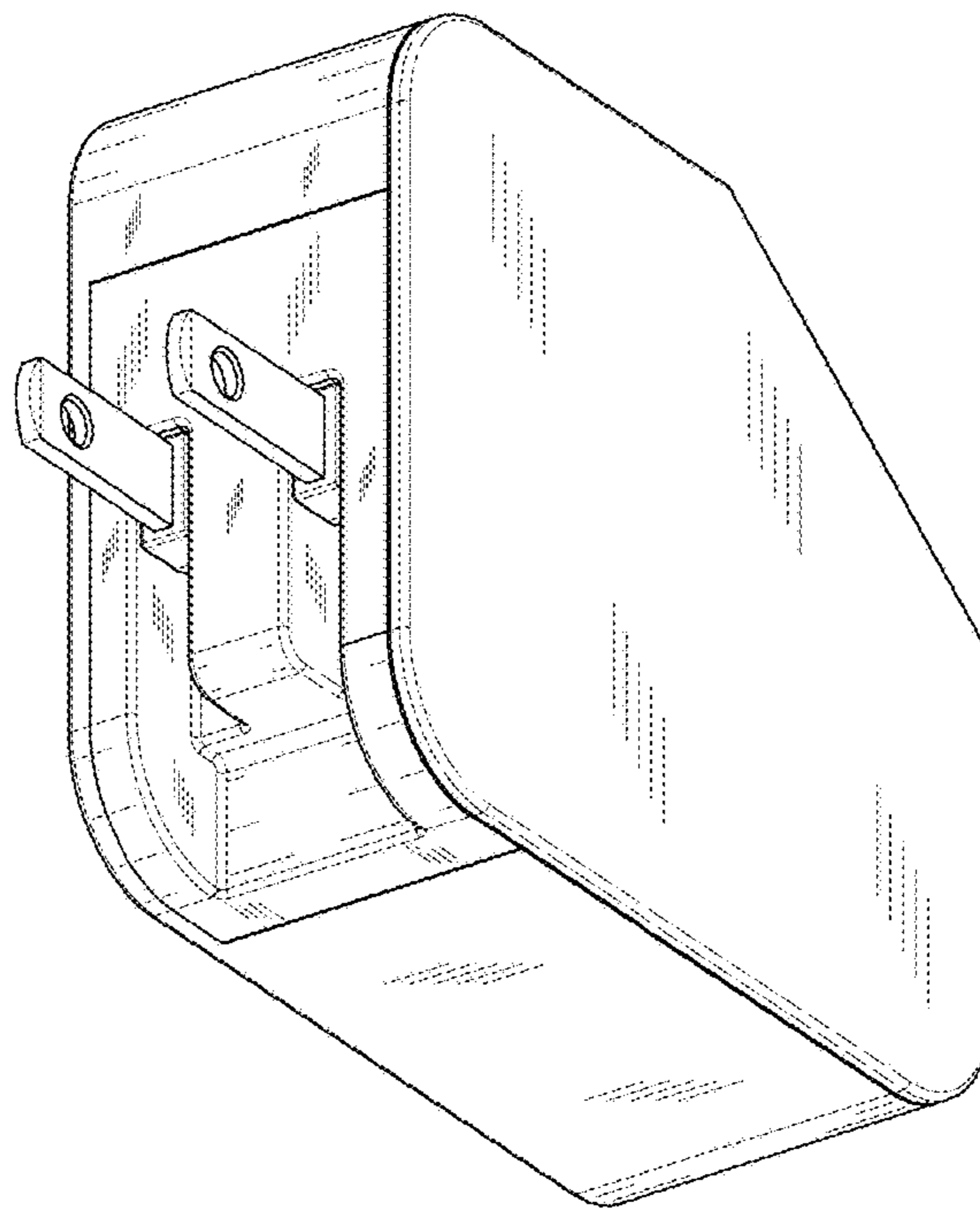


FIG.8

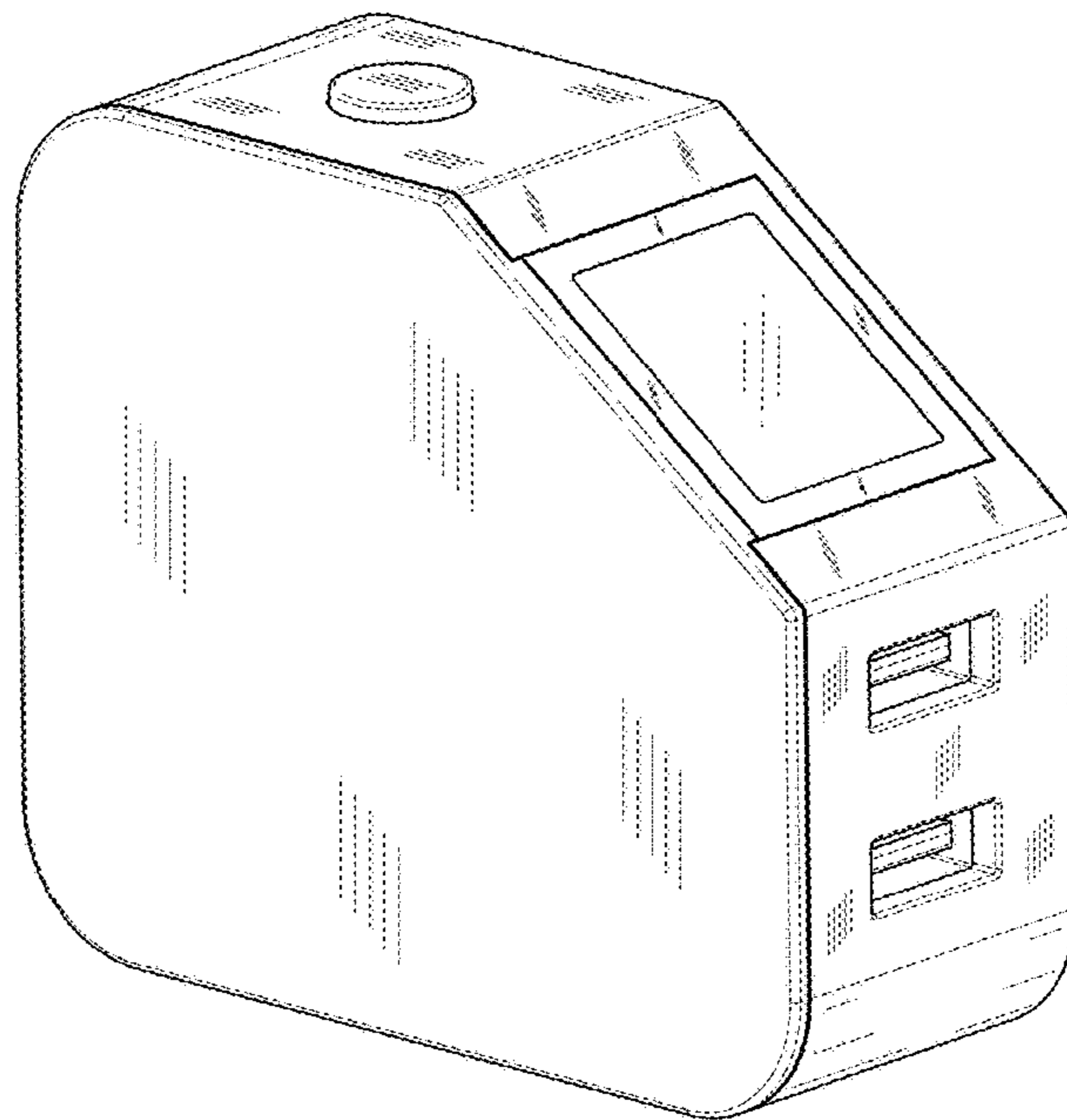


FIG. 9

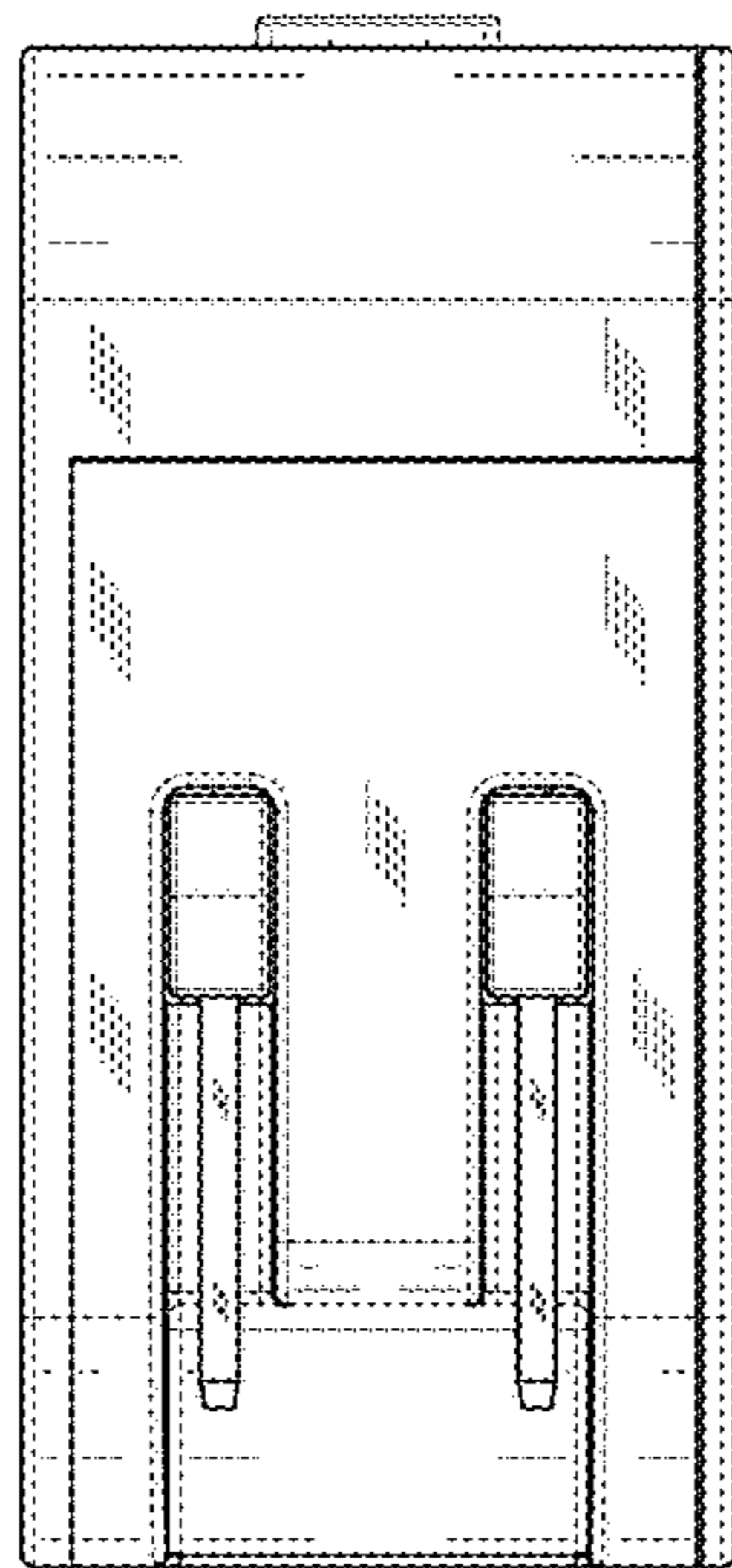


FIG.10

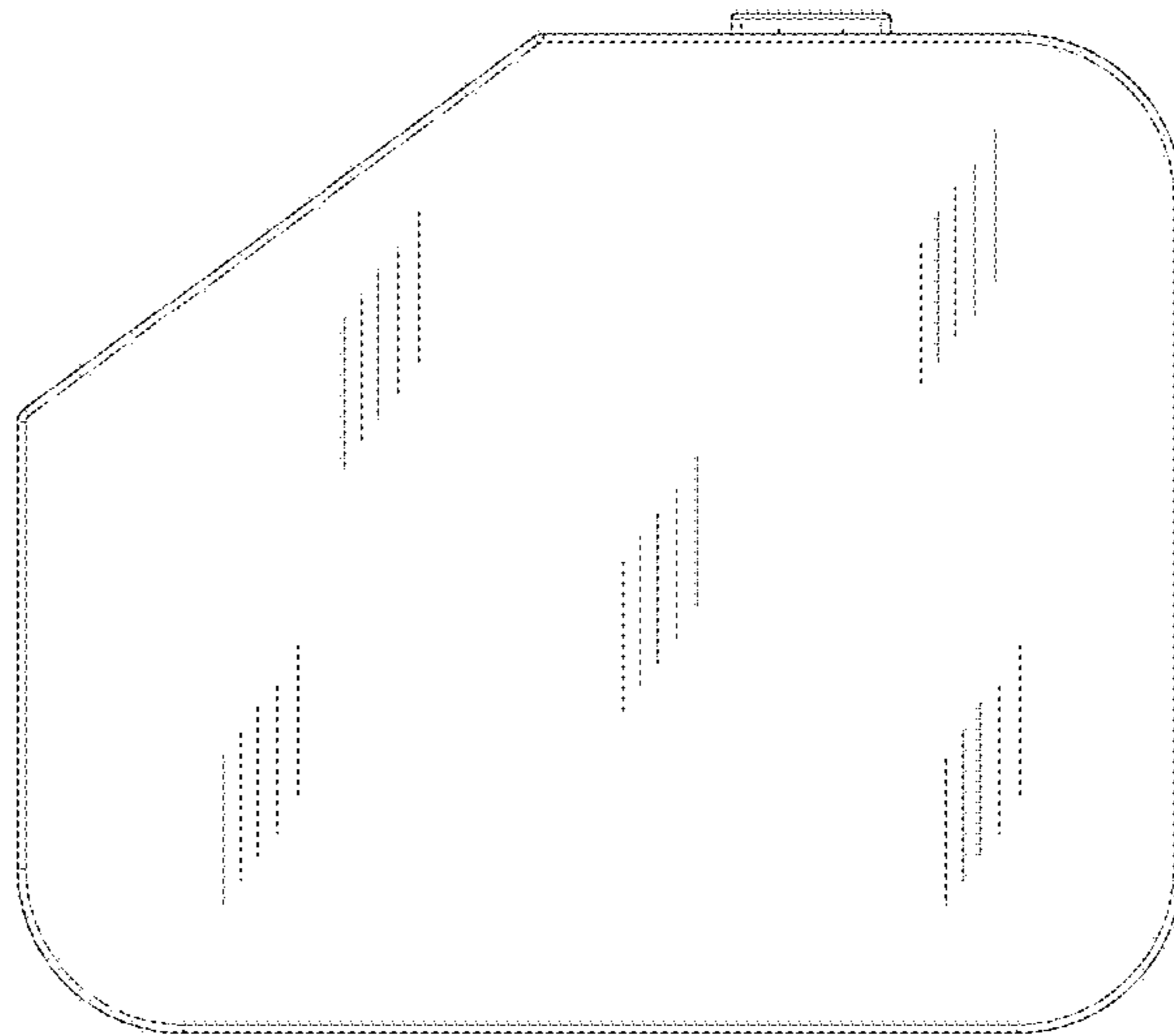


FIG. 11

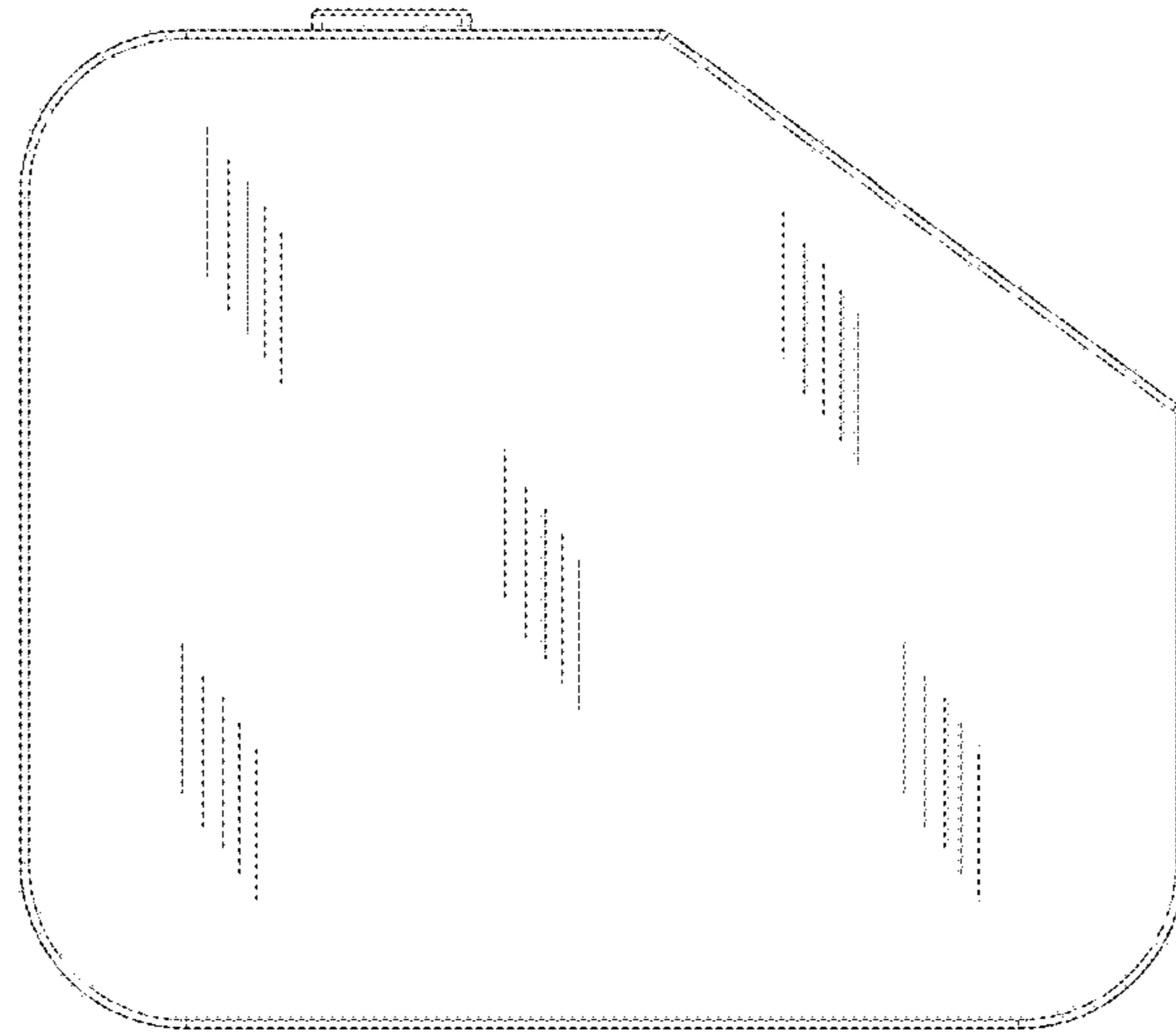


FIG. 12

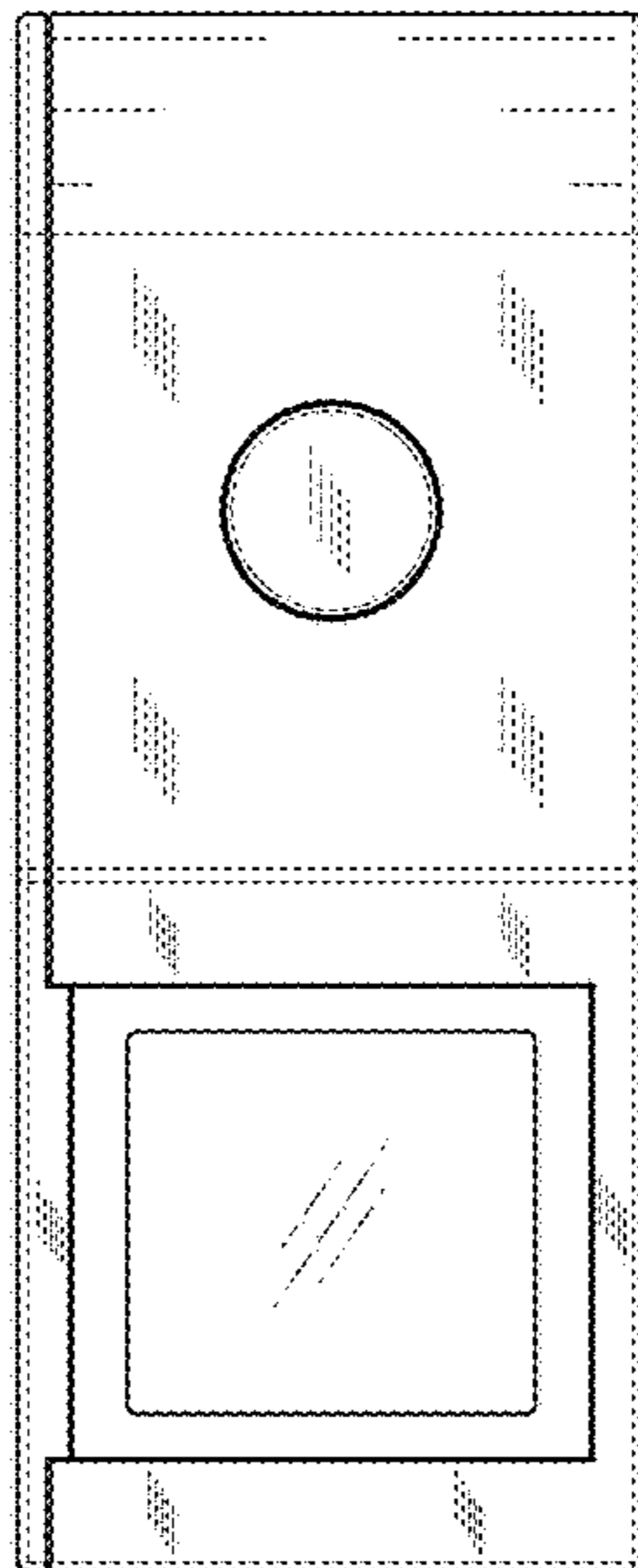


FIG. 13

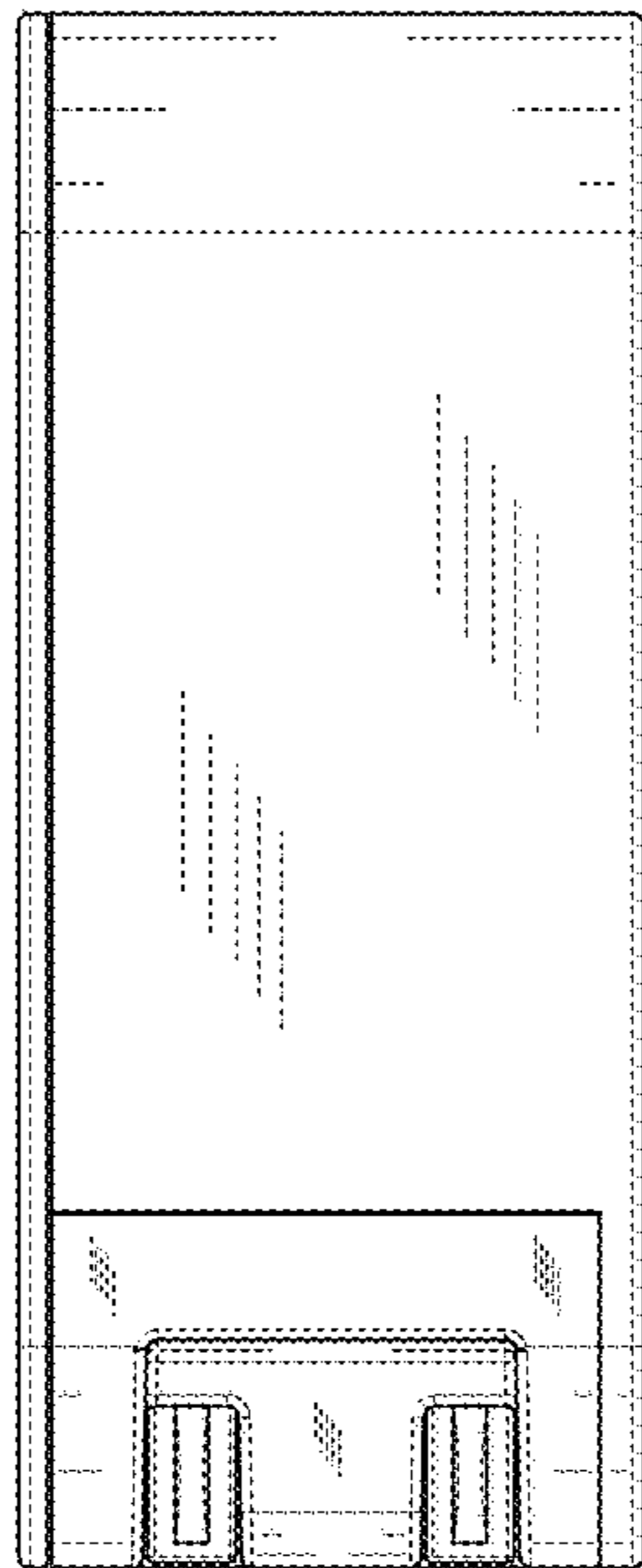


FIG. 14

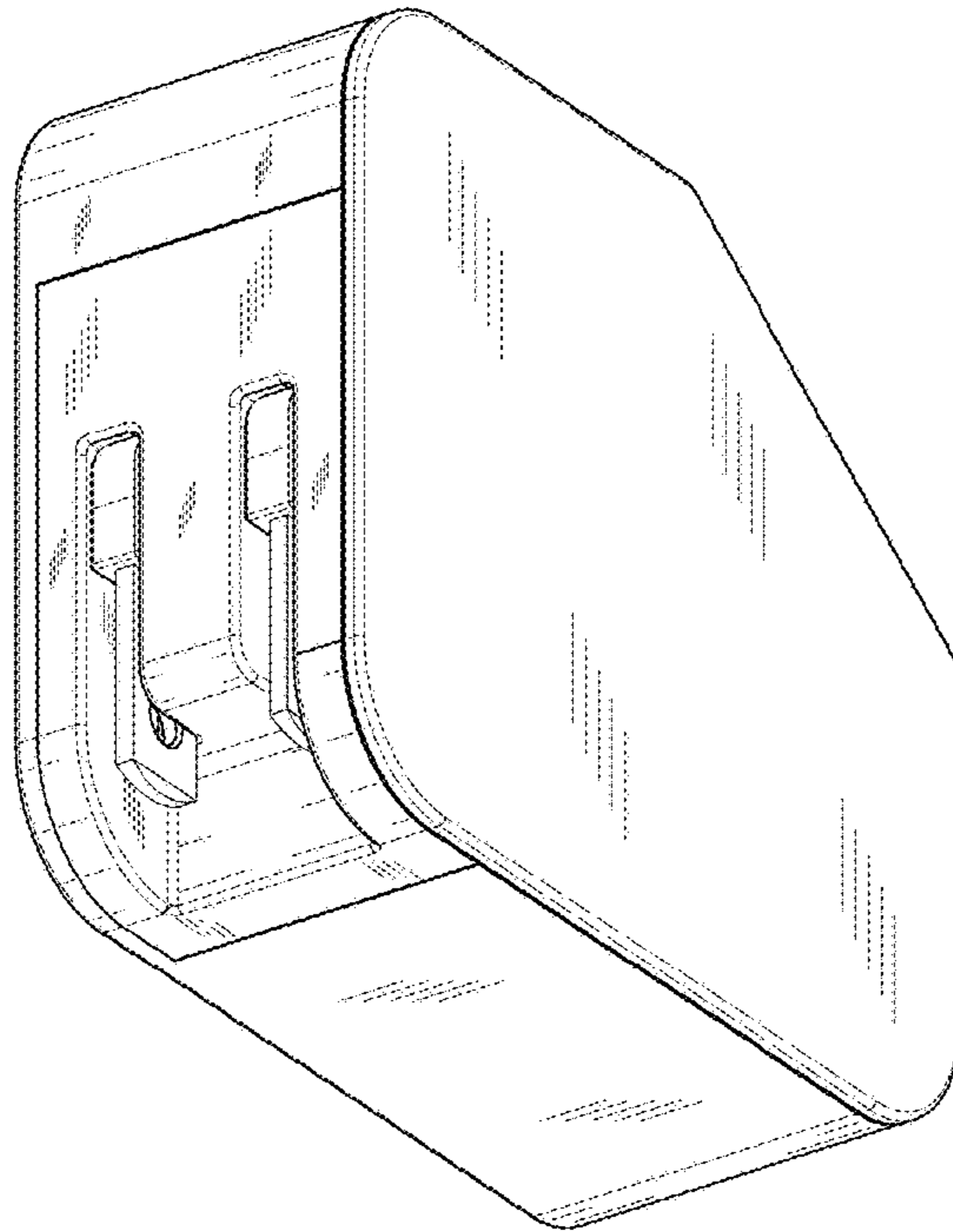


FIG.15