



US00D850365S

(12) **United States Design Patent**
Loermann et al.

(10) **Patent No.:** **US D850,365 S**
(45) **Date of Patent:** **** Jun. 4, 2019**

(54) **WEARABLE DEVICE CHARGER**

(71) Applicant: **BRAGI GmbH**, München (DE)

(72) Inventors: **Arne D. Loermann**, München (DE);
Nikolaj Hviid, München (DE)

(73) Assignee: **BRAGI GmbH**, München (DE)

(**) Term: **15 Years**

(21) Appl. No.: **29/650,186**

(22) Filed: **Jun. 5, 2018**

Related U.S. Application Data

(62) Division of application No. 29/560,527, filed on Apr. 7, 2016.

(51) **LOC (11) Cl.** **13-02**

(52) **U.S. Cl.**
USPC **D13/107**

(58) **Field of Classification Search**

USPC D13/102–108, 110, 118–120, 184, 199
CPC Y02E 60/12; Y02E 60/122; Y02E 60/124;
Y02E 60/50; H01M 2/02; H01M 2/022;
H01M 2/0202; H01M 2/0207; H01M
2/0212; H01M 2/1061; H01M 2/1022;
H01M 2/1055; H01M 2/1066; H01M
2/105; H01M 2/204; H01M 10/4257;
H01M 10/0436; H01M 10/48; H01M
10/44; H01M 10/46; H01M 10/465;
H01M 10/482; H01M 2200/30; H01M
2250/30; H01M 2250/40; H02J 7/00;
H02J 7/0003; H02J 7/0011; H02J 7/0013;
H02J 7/0054; H02J 7/0055; H02J 7/0057

See application file for complete search history.

(56) **References Cited**

U.S. PATENT DOCUMENTS

3,934,100 A 1/1976 Harada
4,150,262 A 4/1979 Ono

D256,994 S 9/1980 MacGregor
4,334,315 A 6/1982 Ono et al.
4,375,016 A 2/1983 Harada
4,379,988 A 4/1983 Mattatall

(Continued)

FOREIGN PATENT DOCUMENTS

EP 1017252 A3 5/2006
GB 2074817 4/1981

(Continued)

OTHER PUBLICATIONS

Amazon.com: Bragi—The Dash Truly Wireless Smart Earphones. Published Apr. 11, 2016. Retrieved from the internet at , Aug. 4, 2017. 1 page.

(Continued)

Primary Examiner — Rosemary K Tarcza

Assistant Examiner — Christy M Nemeth

(74) *Attorney, Agent, or Firm* — Goodhue, Coleman & Owens, P.C.

(57) **CLAIM**

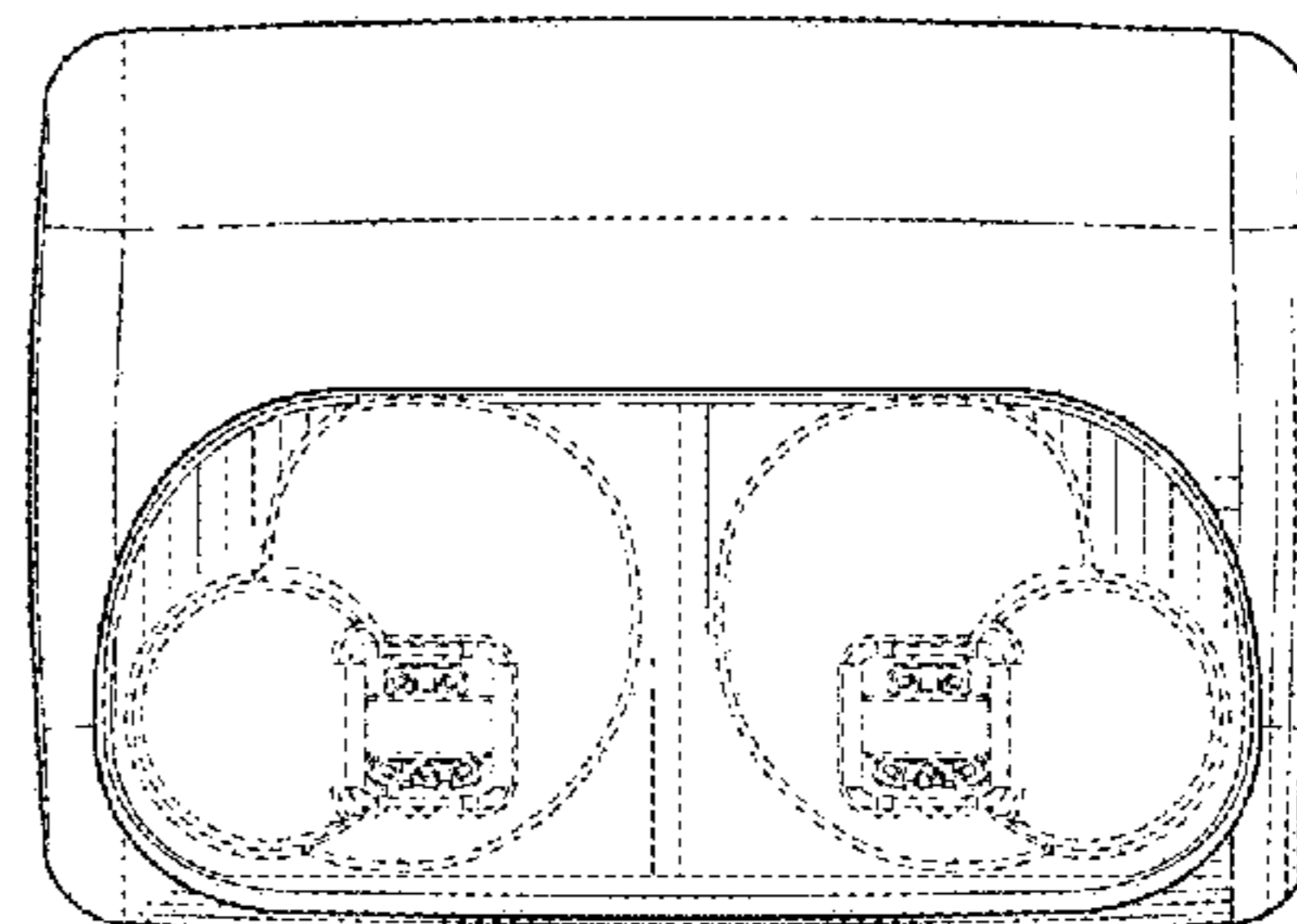
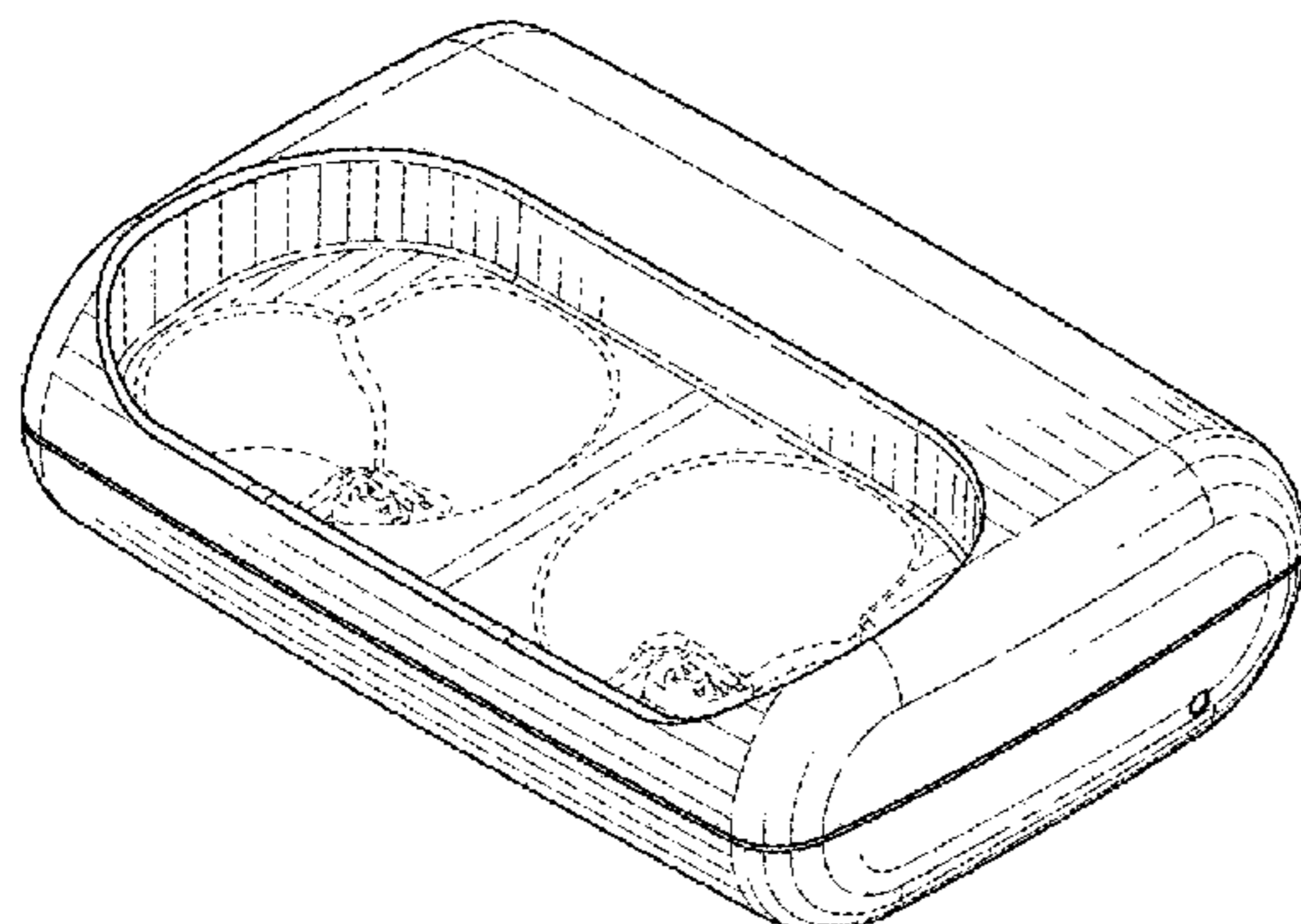
The ornamental design for a wearable device charger, as shown and described.

DESCRIPTION

FIG. 1 is a top perspective view of a wearable device charger of the present invention;
FIG. 2 is a front view thereof;
FIG. 3 is a rear view thereof;
FIG. 4 is a left side view thereof;
FIG. 5 is a right side view thereof;
FIG. 6 is a top view thereof; and,
FIG. 7 is a bottom view thereof.

The broken lines in the drawings are for the purpose of illustrating portions of the wearable device charger that form no part of the claimed design.

1 Claim, 2 Drawing Sheets



(56)

References Cited

U.S. PATENT DOCUMENTS

4,588,867 A	5/1986	Konomi	7,215,790 B2	5/2007	Boesen et al.
4,654,883 A	3/1987	Iwata	D561,097 S	2/2008	Koeske
4,682,180 A	7/1987	Gans	D570,593 S	6/2008	Justiss
4,791,673 A	12/1988	Schreiber	D575,955 S	9/2008	Maraia et al.
4,865,044 A	9/1989	Wallace et al.	D576,100 S	9/2008	Wang
D333,560 S	3/1993	Miyashita et al.	7,463,902 B2	12/2008	Boesen
5,191,602 A	3/1993	Regen et al.	7,508,411 B2	3/2009	Boesen
5,201,007 A	4/1993	Ward et al.	D604,501 S	11/2009	Lee
5,280,524 A	1/1994	Norris	D612,329 S	3/2010	Guccione et al.
5,295,193 A	3/1994	Ono	D617,268 S	6/2010	Yen
5,298,692 A	3/1994	Ikeda et al.	D623,964 S	9/2010	Petersen
5,343,532 A	8/1994	Shugart	D637,584 S	5/2011	Peller
5,363,444 A	11/1994	Norris	7,983,628 B2	7/2011	Boesen
5,497,339 A	3/1996	Bernard	D650,738 S	12/2011	Leung
5,606,621 A	2/1997	Reiter et al.	D653,206 S	1/2012	Heine et al.
5,613,222 A	3/1997	Guenther	D656,092 S	3/2012	Nomi et al.
5,692,059 A	11/1997	Kruger	D656,093 S	3/2012	Nomi et al.
5,721,783 A	2/1998	Anderson	8,140,357 B1	3/2012	Boesen
5,749,072 A	5/1998	Mazurkiewicz et al.	D659,991 S	5/2012	Long et al.
5,771,438 A	6/1998	Palermo et al.	D675,158 S	1/2013	Smith et al.
D397,865 S	9/1998	Lin	D676,377 S *	2/2013	Nokuo D13/108
5,802,167 A	9/1998	Hong	D676,808 S	2/2013	Zhou
D401,552 S	11/1998	Tanaka et al.	D677,219 S *	3/2013	Nokuo D13/108
D407,064 S	3/1999	Lebherz	D685,771 S	7/2013	Bertenthal
5,929,774 A	7/1999	Charlton	D691,372 S	10/2013	Chun
5,933,506 A	8/1999	Aoki et al.	D691,947 S	10/2013	Cole et al.
5,949,896 A	9/1999	Nageno et al.	D695,014 S *	12/2013	Mori D3/264
5,987,146 A	11/1999	Pluvinage et al.	D696,193 S	12/2013	Hatanaka
6,021,207 A	2/2000	Puthuff et al.	D696,194 S	12/2013	Hatanaka
6,054,989 A	4/2000	Robertson et al.	D709,384 S	7/2014	Vural
6,081,724 A	6/2000	Wilson	D713,814 S	9/2014	Ookawa
6,094,492 A	7/2000	Boesen	D720,330 S	12/2014	Stevinson
6,111,569 A	8/2000	Brusky et al.	D720,718 S	1/2015	Stevinson
6,112,103 A	8/2000	Puthuff	D736,155 S	8/2015	Alesi et al.
6,157,727 A	12/2000	Rueda	D739,657 S	9/2015	Hsieh et al.
6,167,039 A	12/2000	Karlsson et al.	D752,623 S	3/2016	Dye et al.
6,181,801 B1	1/2001	Puthuff et al.	D755,501 S	5/2016	Nayak et al.
6,208,372 B1	3/2001	Barraclough	D761,020 S	7/2016	O'Hara
6,275,789 B1	8/2001	Moser et al.	D769,185 S	10/2016	Lee et al.
6,339,754 B1	1/2002	Flanagan et al.	D772,572 S *	11/2016	Palmborg D3/201
6,408,081 B1	6/2002	Boesen	D774,760 S	12/2016	Martinetti
D464,039 S	10/2002	Boesen	D775,818 S *	1/2017	Ingraham D3/218
6,470,893 B1	10/2002	Boesen	9,543,778 B1	1/2017	Corti
D468,299 S	1/2003	Boesen	D780,740 S	3/2017	Kim
D468,300 S	1/2003	Boesen	9,800,966 B2 *	10/2017	Hirsch H04R 1/1025
6,542,721 B2	4/2003	Boesen	9,843,853 B2 *	12/2017	Hirsch H04R 1/1041
6,560,468 B1	5/2003	Boesen	D816,049 S *	4/2018	Kim D13/184
6,654,721 B2	11/2003	Handelman	D821,970 S *	7/2018	Loermann D13/107
6,664,713 B2	12/2003	Boesen	D823,246 S *	7/2018	Lin D13/108
D486,787 S	2/2004	Krieger et al.	D829,168 S *	9/2018	Massee D13/108
6,694,180 B1	2/2004	Boesen	2001/0005197 A1	6/2001	Mishra et al.
6,718,043 B1	4/2004	Boesen	2001/0027121 A1	10/2001	Boesen
6,738,485 B1	5/2004	Boesen	2001/0056350 A1	12/2001	Calderone et al.
D491,364 S	6/2004	Vish et al.	2002/0002413 A1	1/2002	Tokue
6,748,095 B1	6/2004	Goss	2002/0007510 A1	1/2002	Mann
6,754,358 B1	6/2004	Boesen et al.	2002/0010590 A1	1/2002	Lee
6,784,873 B1	8/2004	Boesen et al.	2002/0030637 A1	3/2002	Mann
6,823,195 B1	11/2004	Boesen	2002/0046035 A1	4/2002	Kitahara et al.
6,852,084 B1	2/2005	Boesen	2002/0057810 A1	5/2002	Boesen
6,879,698 B2	4/2005	Boesen	2002/0076073 A1	6/2002	Taenzer et al.
D504,868 S	5/2005	Lodato et al.	2002/0118852 A1	8/2002	Boesen
6,892,082 B2	5/2005	Boesen	2003/0065504 A1	4/2003	Kraemer et al.
6,920,229 B2	7/2005	Boesen	2003/0100331 A1	5/2003	Dress et al.
D508,458 S	8/2005	Solland et al.	2003/0104806 A1	6/2003	Ruef et al.
6,952,483 B2	10/2005	Boesen et al.	2003/0115068 A1	6/2003	Boesen
6,987,986 B2	1/2006	Boesen	2003/0125096 A1	7/2003	Boesen
D520,447 S	5/2006	Liu	2003/0218064 A1	11/2003	Conner et al.
D521,927 S	5/2006	Franck et al.	2004/0070564 A1	4/2004	Dawson et al.
D522,452 S	6/2006	Sugimoto	2004/0160511 A1	8/2004	Boesen
D523,810 S	6/2006	Doong	2005/0043056 A1	2/2005	Boesen
D526,960 S *	8/2006	Kobayashi D13/110	2005/0125320 A1	6/2005	Boesen
D529,288 S	10/2006	Ham	2005/0148883 A1	7/2005	Boesen
7,136,282 B1	11/2006	Rebeske	2005/0165663 A1	7/2005	Razumov
7,203,331 B2	4/2007	Boesen	2005/0196009 A1	9/2005	Boesen
7,209,569 B2	4/2007	Boesen	2005/0251455 A1	11/2005	Boesen
			2005/0266876 A1	12/2005	Boesen
			2006/0029246 A1	2/2006	Boesen
			2006/0074671 A1	4/2006	Farmaner et al.
			2006/0074808 A1	4/2006	Boesen

(56)

References Cited

U.S. PATENT DOCUMENTS

2008/0254780	A1	10/2008	Kuhl et al.
2008/0292123	A1	11/2008	Jensen
2015/0110587	A1	4/2015	Hori
2015/0295437	A1	10/2015	Wang
2016/0072558	A1	3/2016	Hirsch et al.
2016/0345626	A1	12/2016	Wong et al.
2017/0060262	A1*	3/2017	Hviid G06F 3/03
2017/0061751	A1	3/2017	Loermann et al.
2017/0064428	A1	3/2017	Hirsch
2017/0064429	A1*	3/2017	Hirsch H04R 1/1025
2017/0064433	A1*	3/2017	Hirsch H04R 1/1041
2017/0094399	A1	3/2017	Chandramohan et al.
2017/0195770	A1	7/2017	Cheney et al.
2017/0208393	A1	7/2017	Boesen

FOREIGN PATENT DOCUMENTS

JP	76292195	10/1998
WO	2014043179	A3 7/2014
WO	2015110577	A1 7/2015
WO	2015110587	A1 7/2015

OTHER PUBLICATIONS

Amazon.com: Cobble Pro Wireless Earbuds. Published Sep. 29, 2011. Retrieved from the internet at , Aug. 4, 2017. 1 page.
Announcing the \$3,333,333 Stretch Goal (Feb. 24, 2014).
BRAGI is on Facebook (2014).
Bragi the Dash Truly Wireless Smart Earphones, amazon.com, date first available Feb. 4, 2016, retrieved on Jun. 5, 2017, retrieved from the Internet: URL<<https://www.amazon.com/Bragi-Truly-Wireless-Smart-Earphones/dp/B01BHU6QO?th=1>.
Bragi Update—Arrival of Prototype Chassis Parts—More People - Awesomeness (May 13, 2014).
Bragi Update—Chinese New Year, Design Verification, Charging Case, More People, Timeline(Mar. 6, 2015).
Bragi Update—First Sleeves From Prototype Tool—Software Development Kit (Jun. 5, 2014).
Bragi Update—Let’s Get Ready to Rumble, a Lot to Be Done Over Christmas (Dec. 22, 2014).
Bragi Update—Memories From April—Update on Progress (Sep. 16, 2014).
Bragi Update—Memories from May—Update on Progress—Sweet (Oct. 13, 2014).
Bragi Update—Memories From One Month Before Kickstarter—Update on Progress (Jul. 10, 2014).
Bragi Update—Memories From the First Month of Kickstarter—Update on Progress (Aug. 1, 2014).

Bragi Update—Memories From the Second Month of Kickstarter—Update on Progress (Aug. 22, 2014).
Bragi Update—New People @Bragi—Prototypes (Jun. 26, 2014).
Bragi Update—Office Tour, Tour to China, Tour to CES (Dec. 11, 2014).
Bragi Update—Status on Wireless, Bits and Pieces, Testing—Oh Yeah, Timeline(Apr. 24, 2015).
Bragi Update—The App Preview, the Charger, the SDK, Bragi Funding and Chinese New Year (Feb. 11, 2015).
Bragi Update—What We Did Over Christmas, Las Vegas & CES (Jan. 19, 2014).
Bragi Update—Years of Development, Moments of Utter Joy and Finishing What We Started(Jun. 5, 2015).
Bragi Update, Status on Wireless, Bits and Pieces, Testing, Apr. 25, 2015, retrieved on Jun. 5, 2017, retrieved from the Internet: <https://www.kickstarter.com/projects/hellobragi/the-dash-wireless-smart-in-ear-headphones/posts/1207460URL><.
Bragi Update—Alpha 5 and Back to China, Backer Day, on Track(May 16, 2015).
Bragi Update—Beta2 Production and Factory Line(Aug. 20, 2015).
Bragi Update—Certifications, Production, Ramping Up (Nov. 13, 2015).
Bragi Update—Developer Units Shipping and Status(Oct. 5, 2015).
Bragi Update—Developer Units Started Shipping and Status (Oct. 19, 2015).
Bragi Update—Developer Units, Investment, Story and Status(Nov. 2, 2015).
Bragi Update—Getting Close(Aug. 6, 2015).
Bragi Update6—On Track, Design Verification, How It Works and What’s Next(Jul. 15, 2015).
Bragi Update—On Track, On Track and Gems Overview (Jun. 24, 2015).
Bragi Update—Status on Wireless, Supply, Timeline and Open House@Bragi(Apr. 1, 2015).
Bragi Update—Unpacking Video, Reviews on Audio Perform and Boy Are We Getting Close(Sep. 10, 2015).
Kickstarter.com: The Dash. Published Mar. 6, 2015. Retrieved from the internet at , Aug. 4, 2017. 6 pages.
Kickstarter.com:Bragi Update. Published Jun. 5, 2015. Retrieved from the internet at , Aug. 4, 2017. 11 pages.
Last Push Before the Kickstarter Campaign Ends on Monday 4pm CET (Mar. 28, 2014).
Staab, Wayne J., et al., “A One-Size Disposable Hearing Aid is Introduced”, The Hearing Journal 53(4):36-41) Apr. 2000.
Stretchgoal—It’s Your Dash (Feb. 14, 2014).
Stretchgoal—The Carrying Case for the Dash (Feb. 12, 2014).
Stretchgoal—Windows Phone Support (Feb. 17, 2014).
The Dash + The Charging Case & The Bragi News (Feb. 21, 2014).
The Dash—A Word From Our Software, Mechanical and Acoustics Team + An Update (Mar. 11, 2014).
Update From Bragi—\$3,000,000—Yipee (Mar. 22, 2014).

* cited by examiner

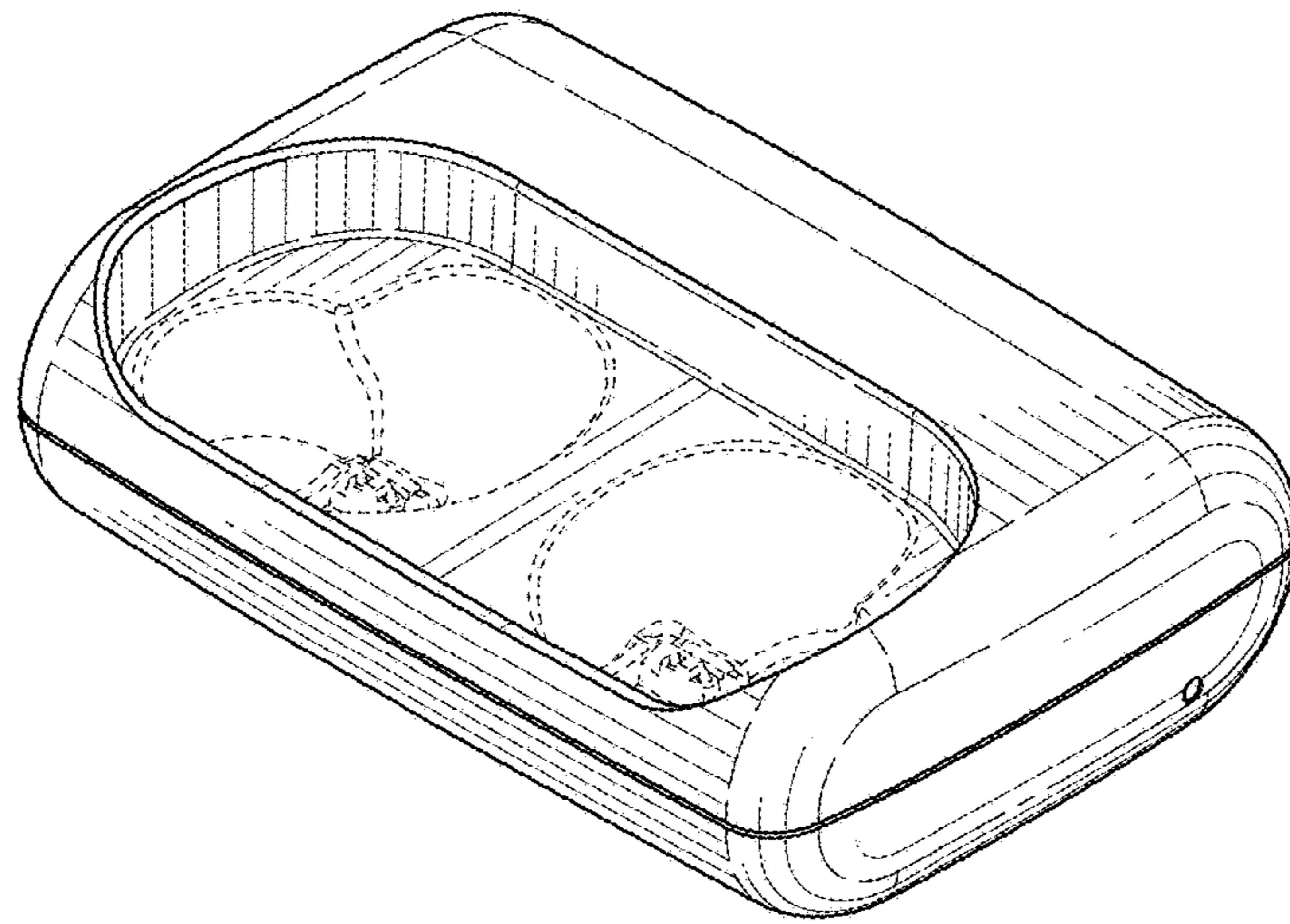


FIG. 1

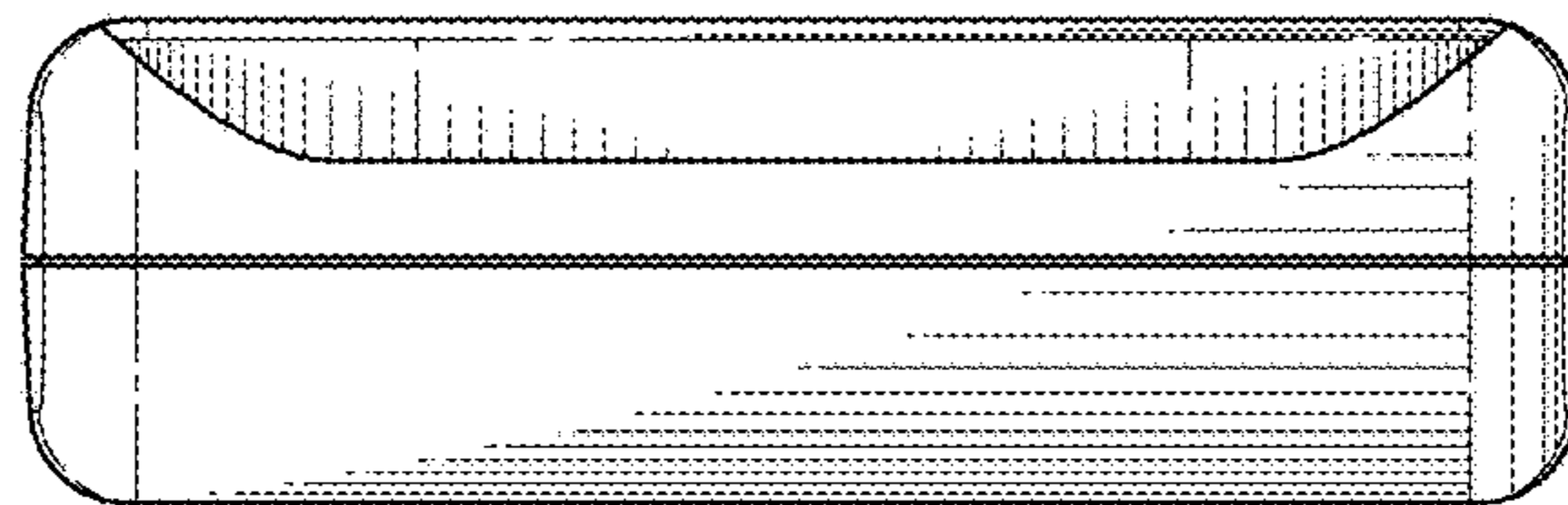


FIG. 2

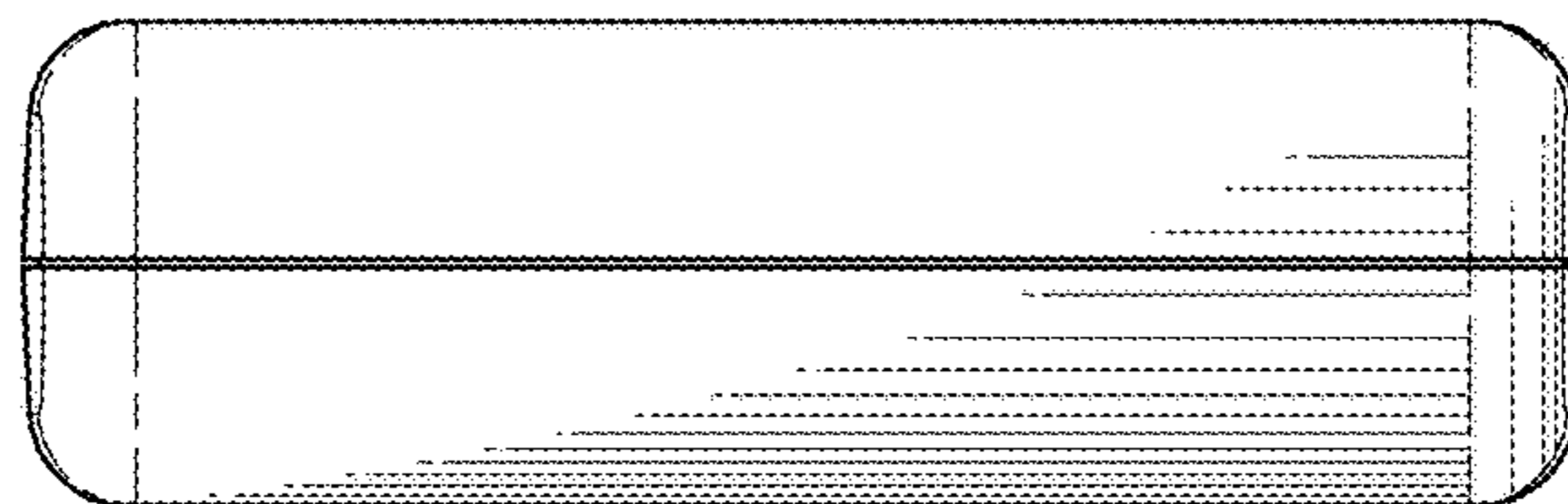


FIG. 3

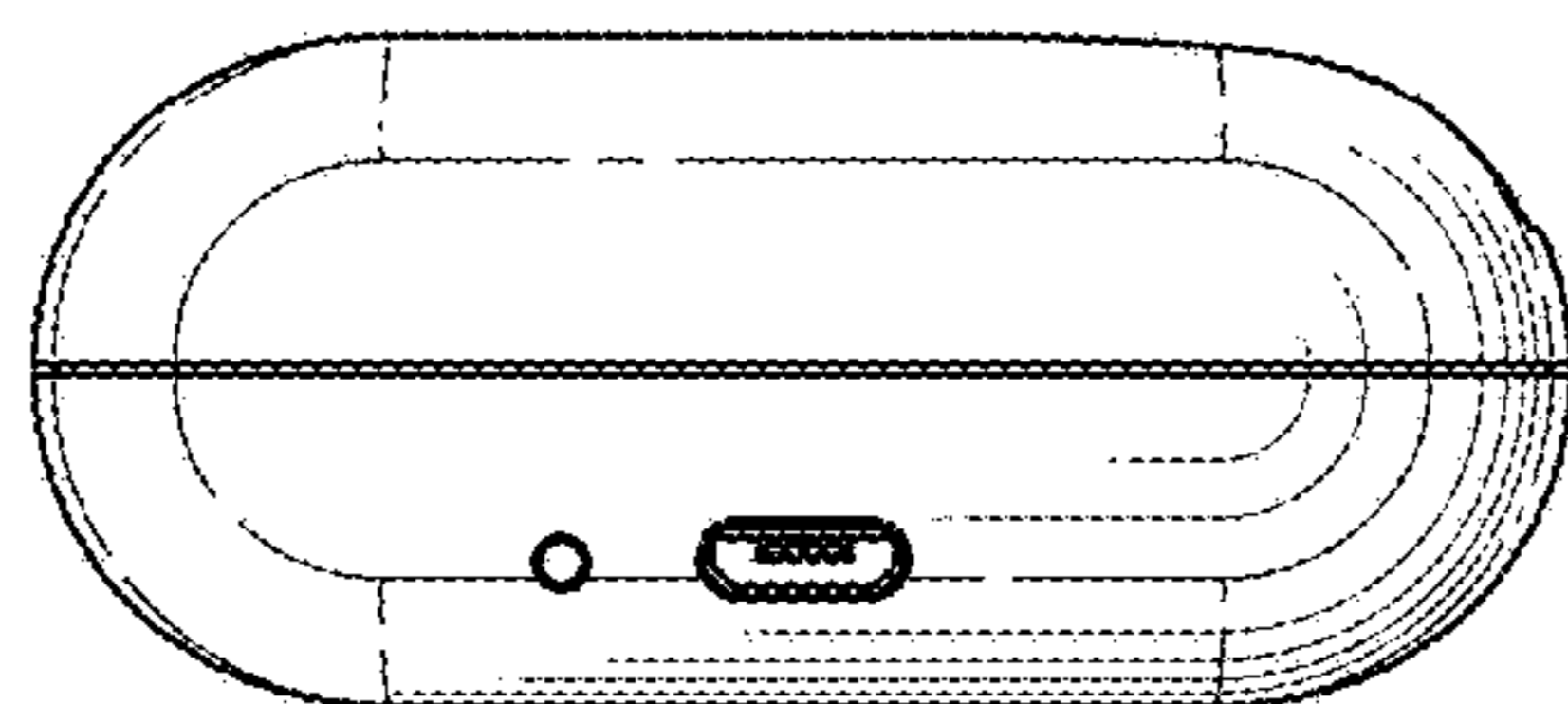


FIG. 4

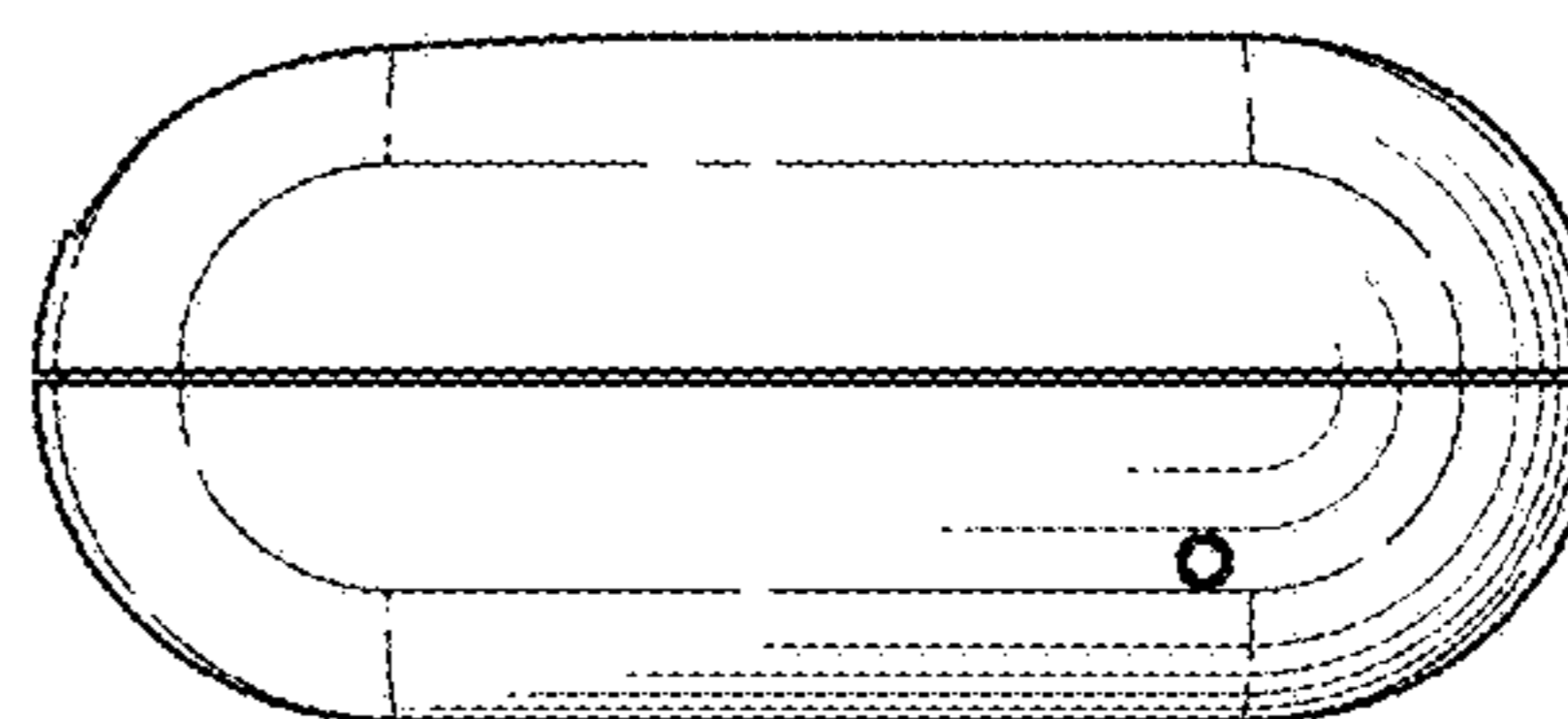


FIG. 5

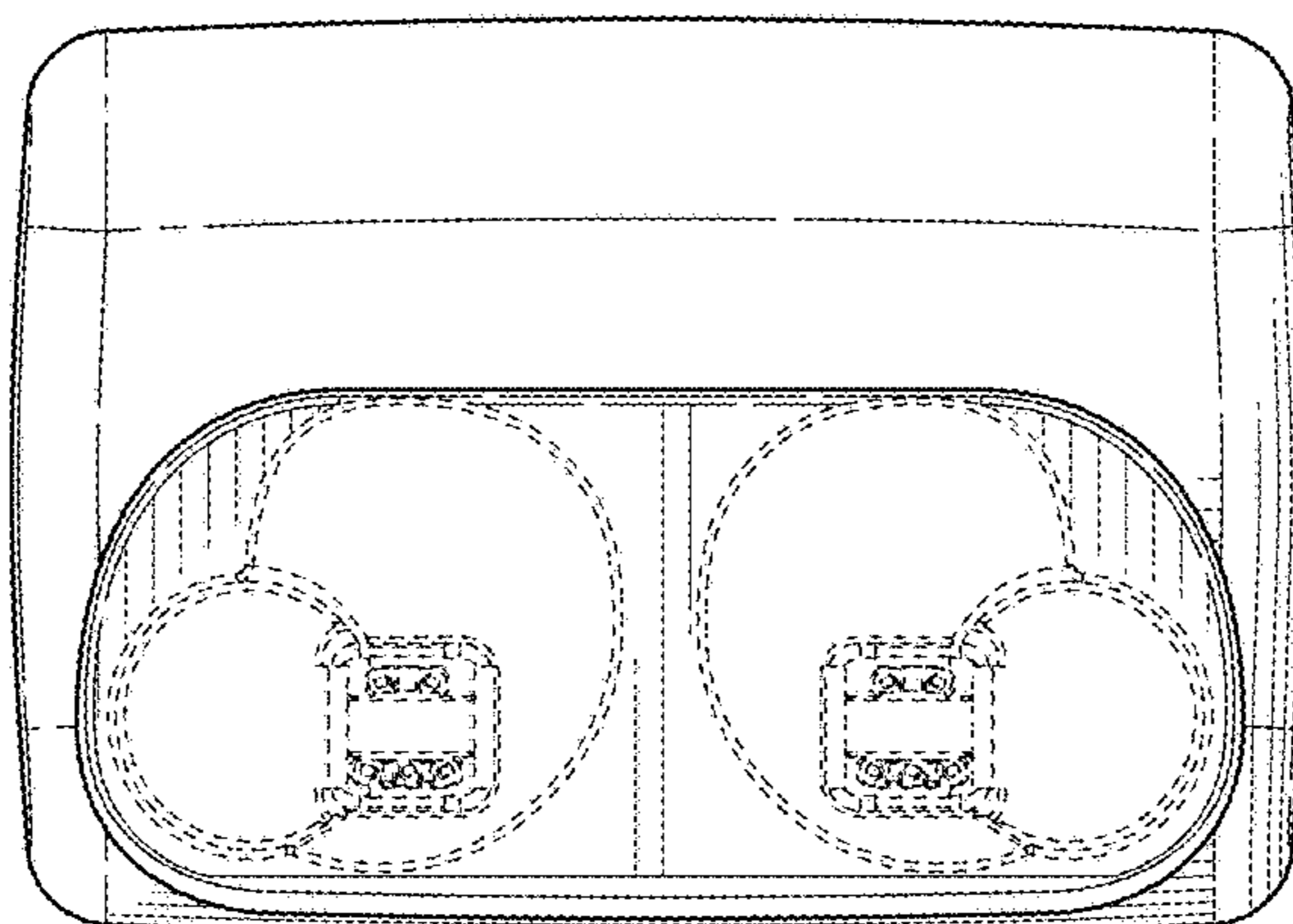


FIG. 6

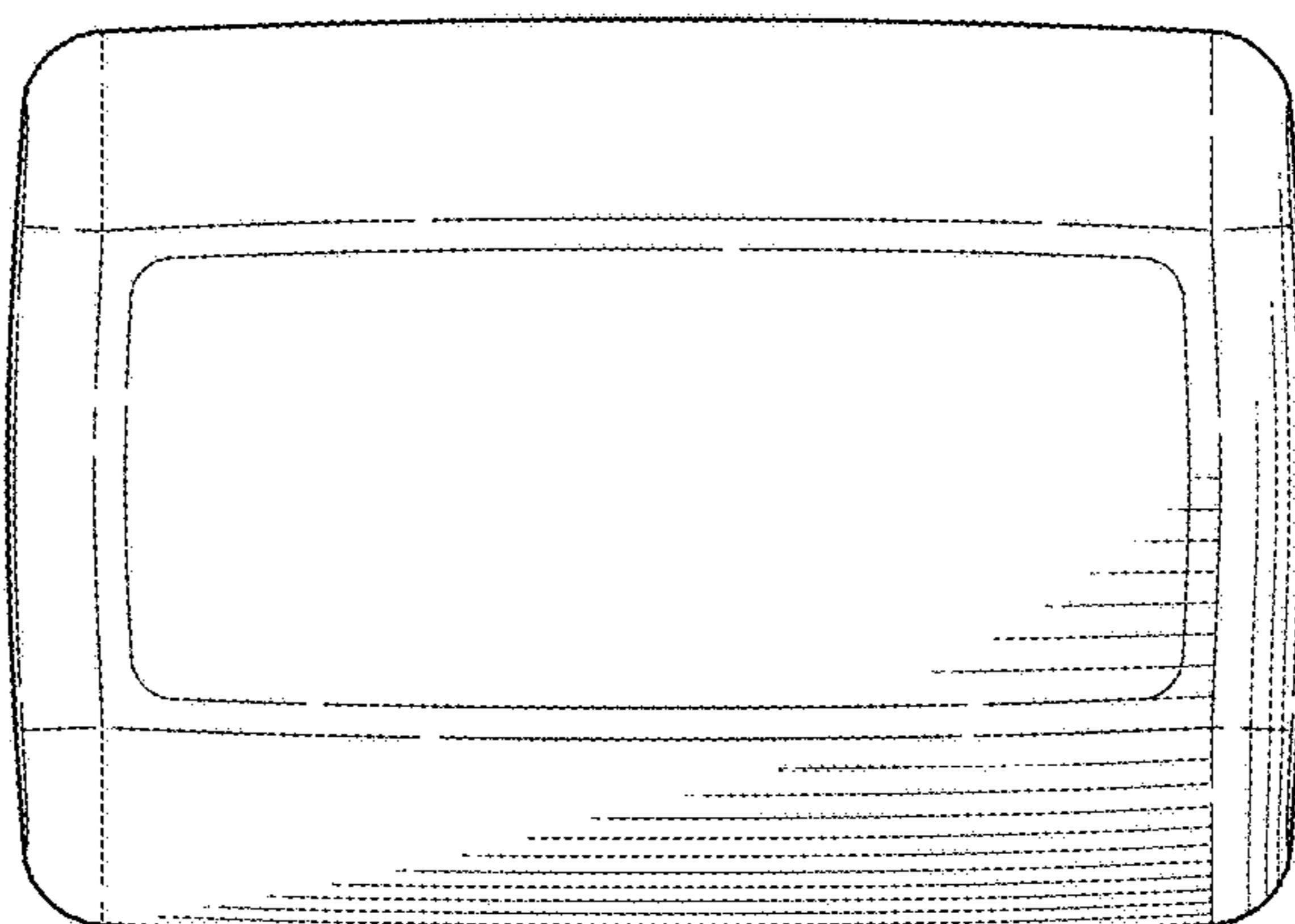


FIG. 7