



US00D850364S

(12) **United States Design Patent**  
**Constin**

(10) **Patent No.:** **US D850,364 S**  
(45) **Date of Patent:** **\*\* Jun. 4, 2019**

(54) **POWER STRIP**

(71) Applicant: **GREENPACK GMBH**, Berlin (DE)

(72) Inventor: **Hans-Peter Constin**, Berlin (DE)

(73) Assignee: **GREENPACK GMBH**, Berlin (DE)

(\*\*) Term: **15 Years**

(21) Appl. No.: **29/614,320**

(22) Filed: **Aug. 17, 2017**

**Related U.S. Application Data**

(62) Division of application No. 35/500,626, filed on Nov. 25, 2015 (U.S. filing date under 35 U.S.C. 384), and having an international filing date of Nov. 25, 2015, now Pat. No. Des. 797,662.

(51) **LOC (11) Cl.** ..... **13-02**

(52) **U.S. Cl.**  
USPC ..... **D13/103**

(58) **Field of Classification Search**  
USPC ..... D13/103, 107, 120, 133, 146-147, 148  
CPC ..... H01R 24/58; H01R 24/68; H02J 7/0045  
See application file for complete search history.

(56) **References Cited**

U.S. PATENT DOCUMENTS

D562,774 S *	2/2008	Kojima .....	D13/147
D613,689 S *	4/2010	Yang .....	D13/120
D617,734 S *	6/2010	Yang .....	D13/120
D618,172 S *	6/2010	Yang .....	D13/120
D652,387 S *	1/2012	Ohkuma .....	D13/147
D782,980 S *	4/2017	Zhang .....	D13/147
D839,833 S *	2/2019	Pao .....	D13/147

\* cited by examiner

*Primary Examiner* — Michael A. Pratt

(74) *Attorney, Agent, or Firm* — Christensen, Fonder, Dardi & Herbert PLLC

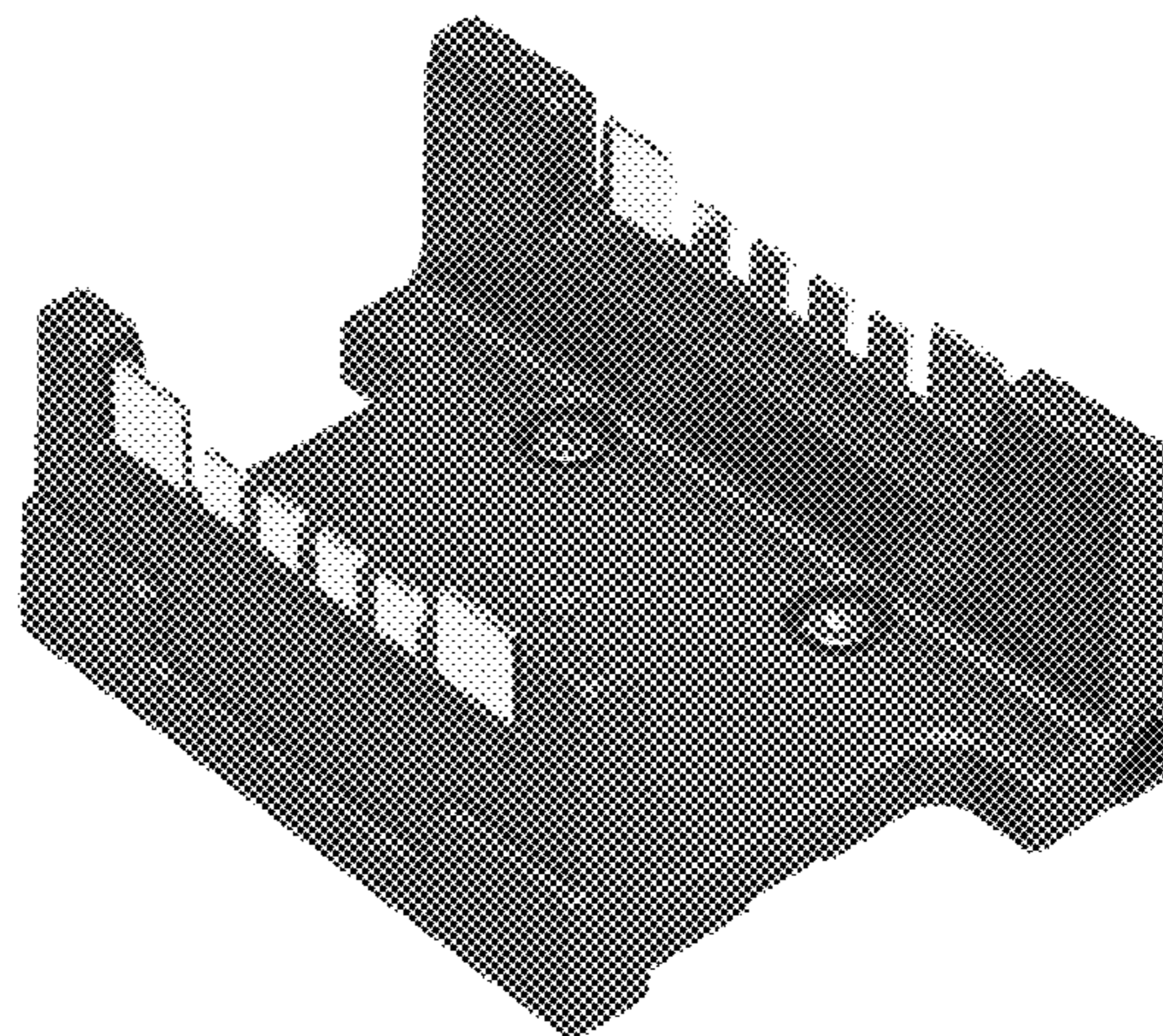
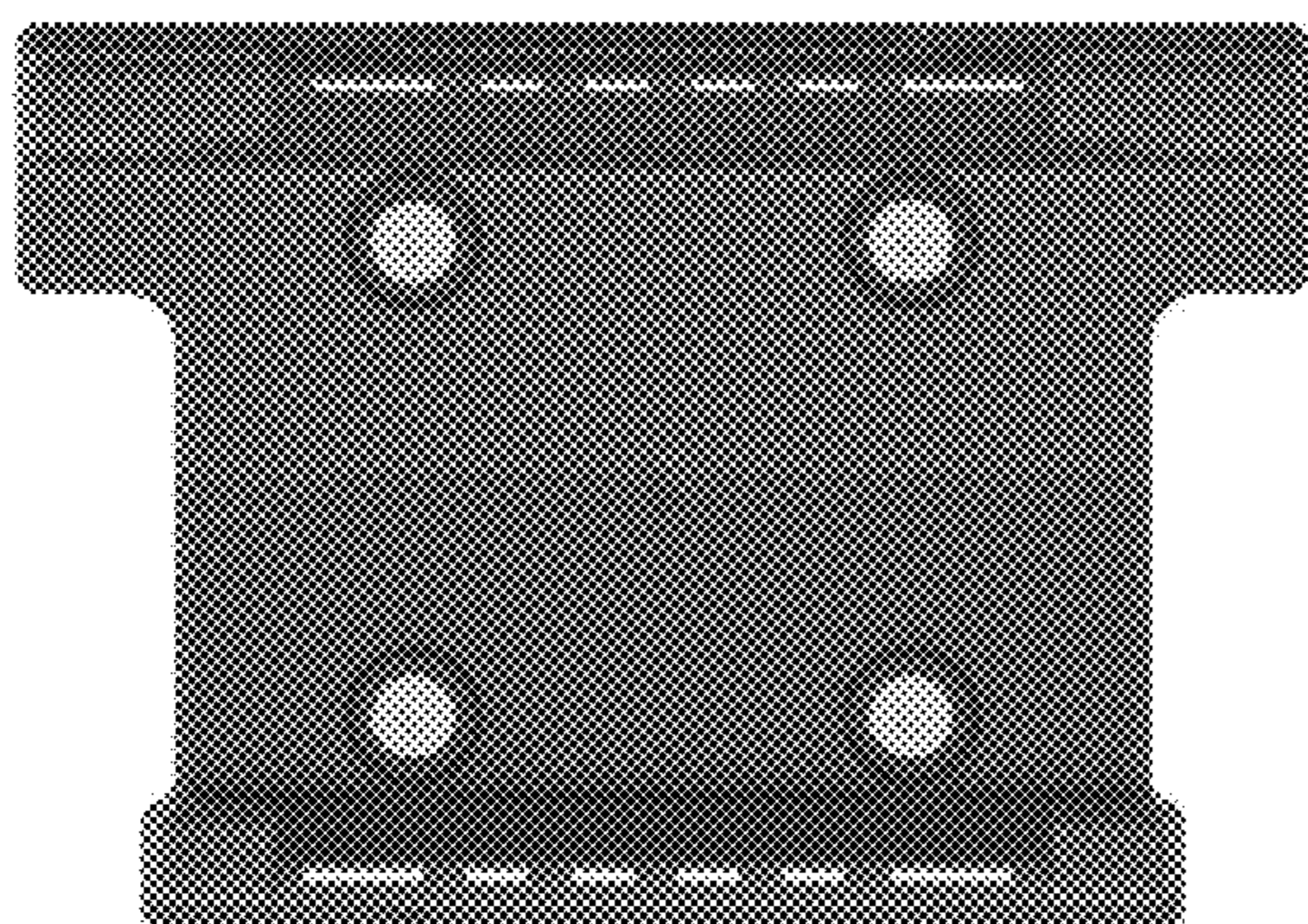
(57) **CLAIM**

I claim the ornamental design for a power strip, as shown and described.

**DESCRIPTION**

FIG. 1 is a back view of the power strip.  
FIG. 2 is a left-side view of the power strip.  
FIG. 3 is a top view of the power strip.  
FIG. 4 is a perspective view of the power strip.  
FIG. 5 is a right-side view of the power strip.  
FIG. 6 is a bottom view of the power strip; and,  
FIG. 7 is a front view of the power strip.

**1 Claim, 7 Drawing Sheets**



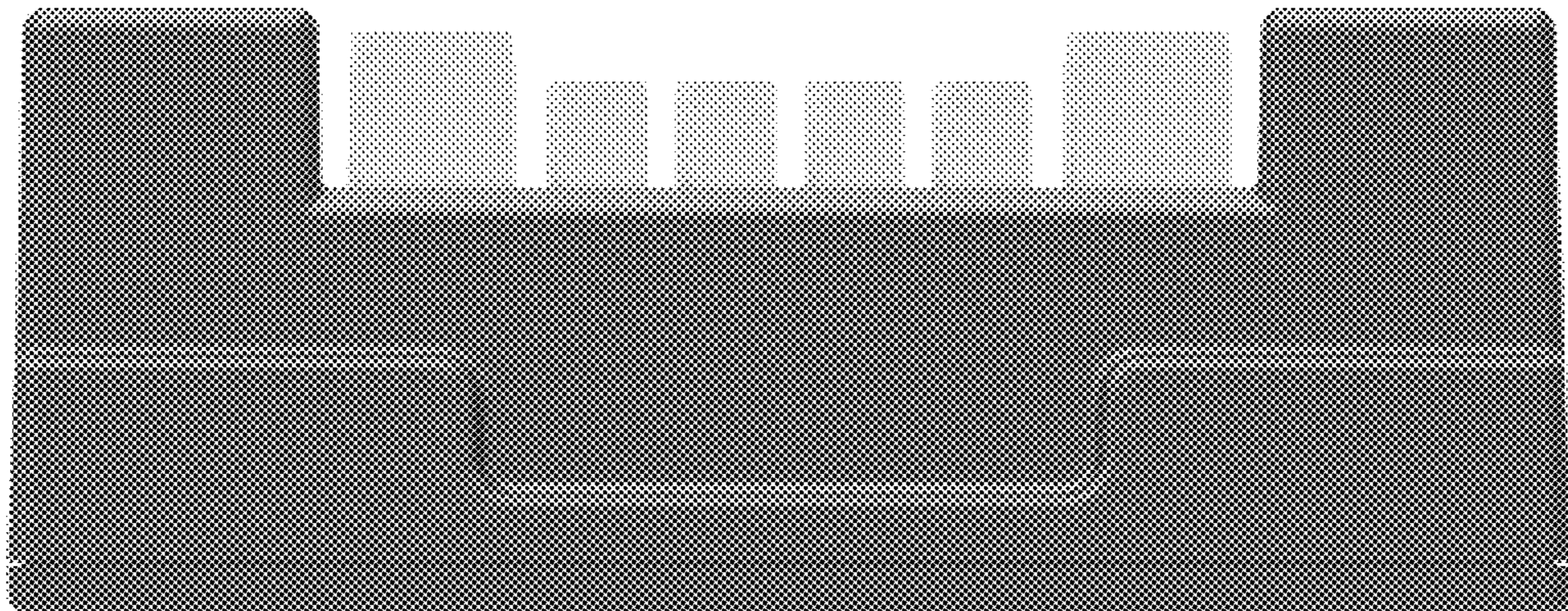


FIGURE 1

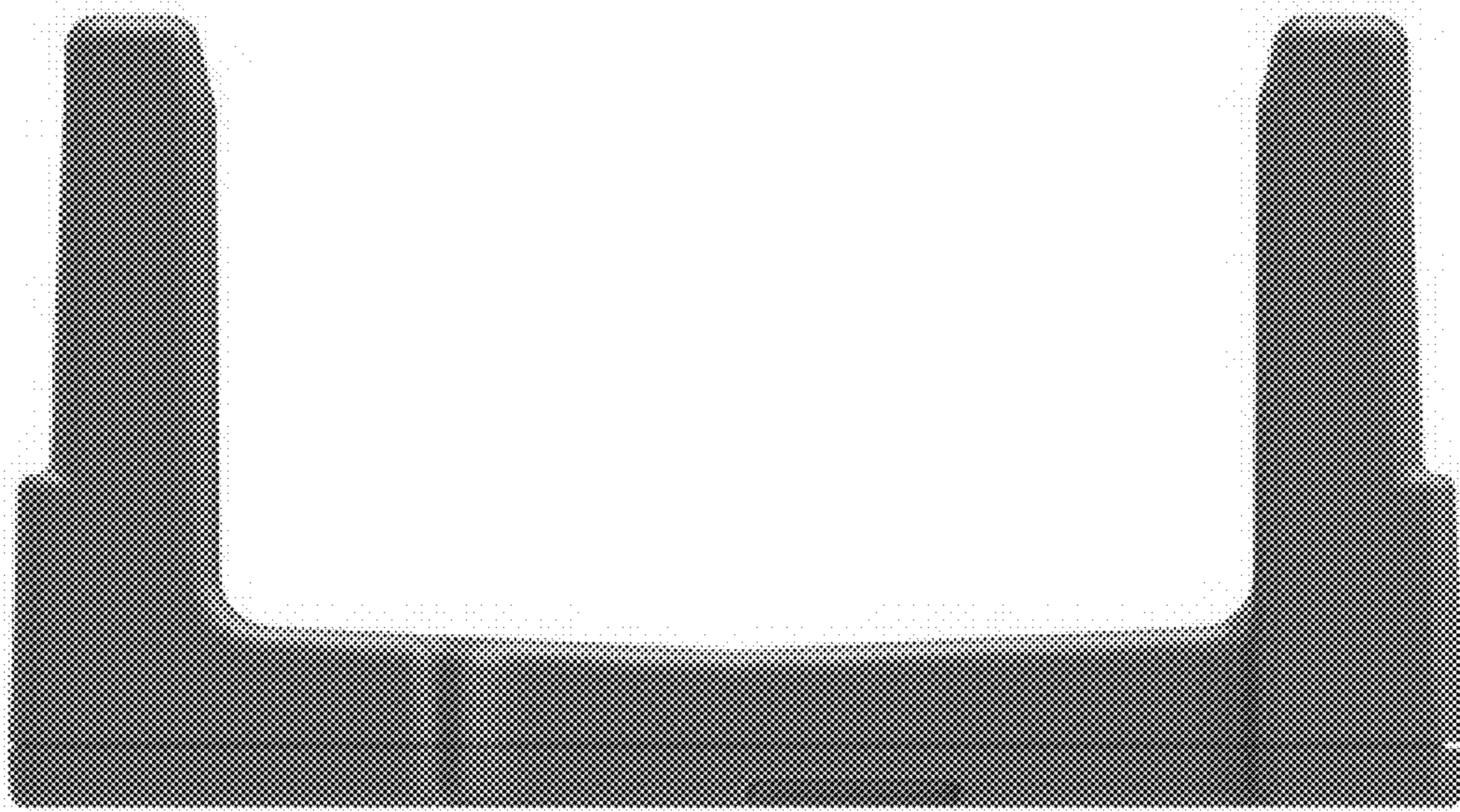


FIGURE 2

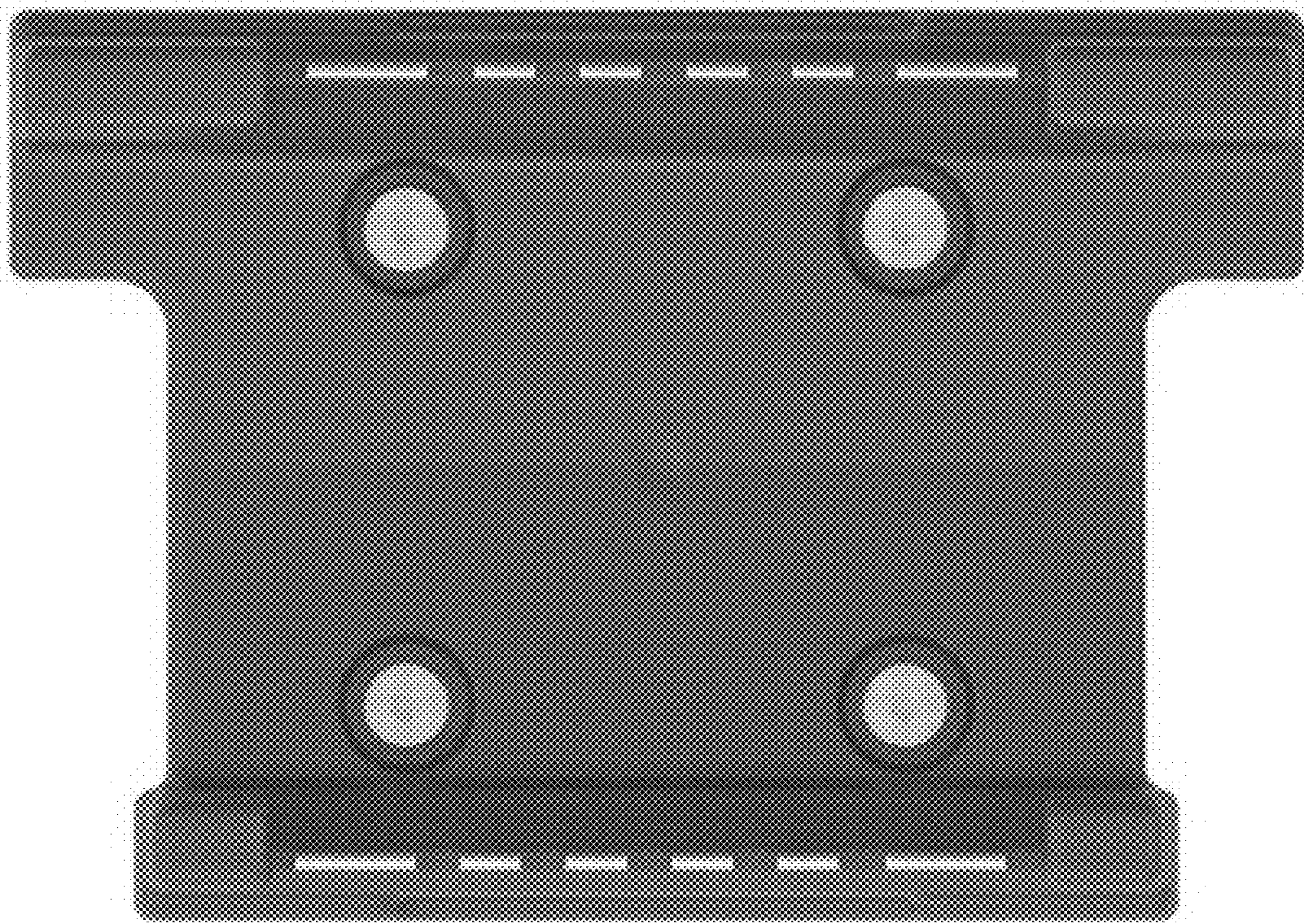


FIGURE 3

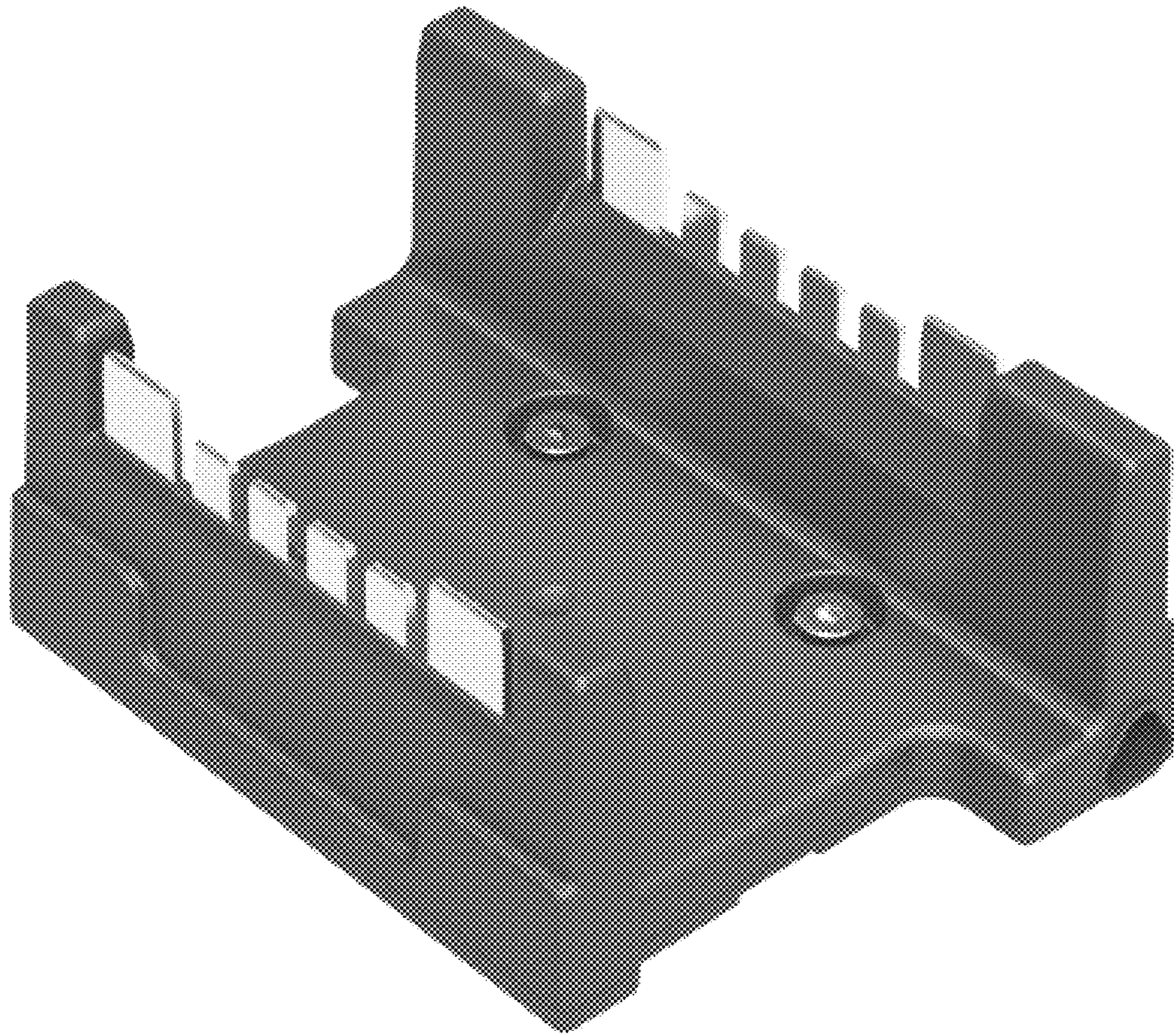


FIGURE 4

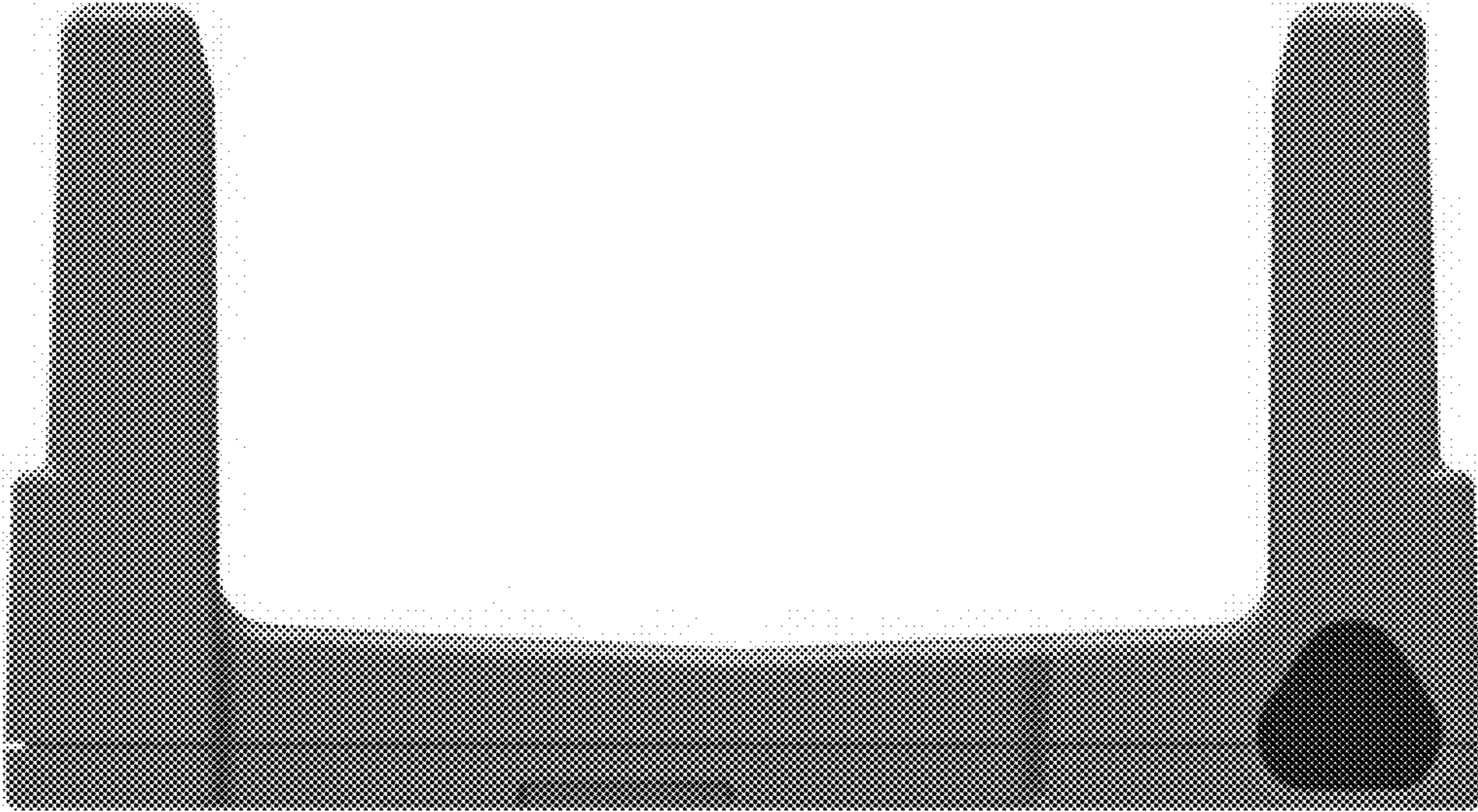


FIGURE 5

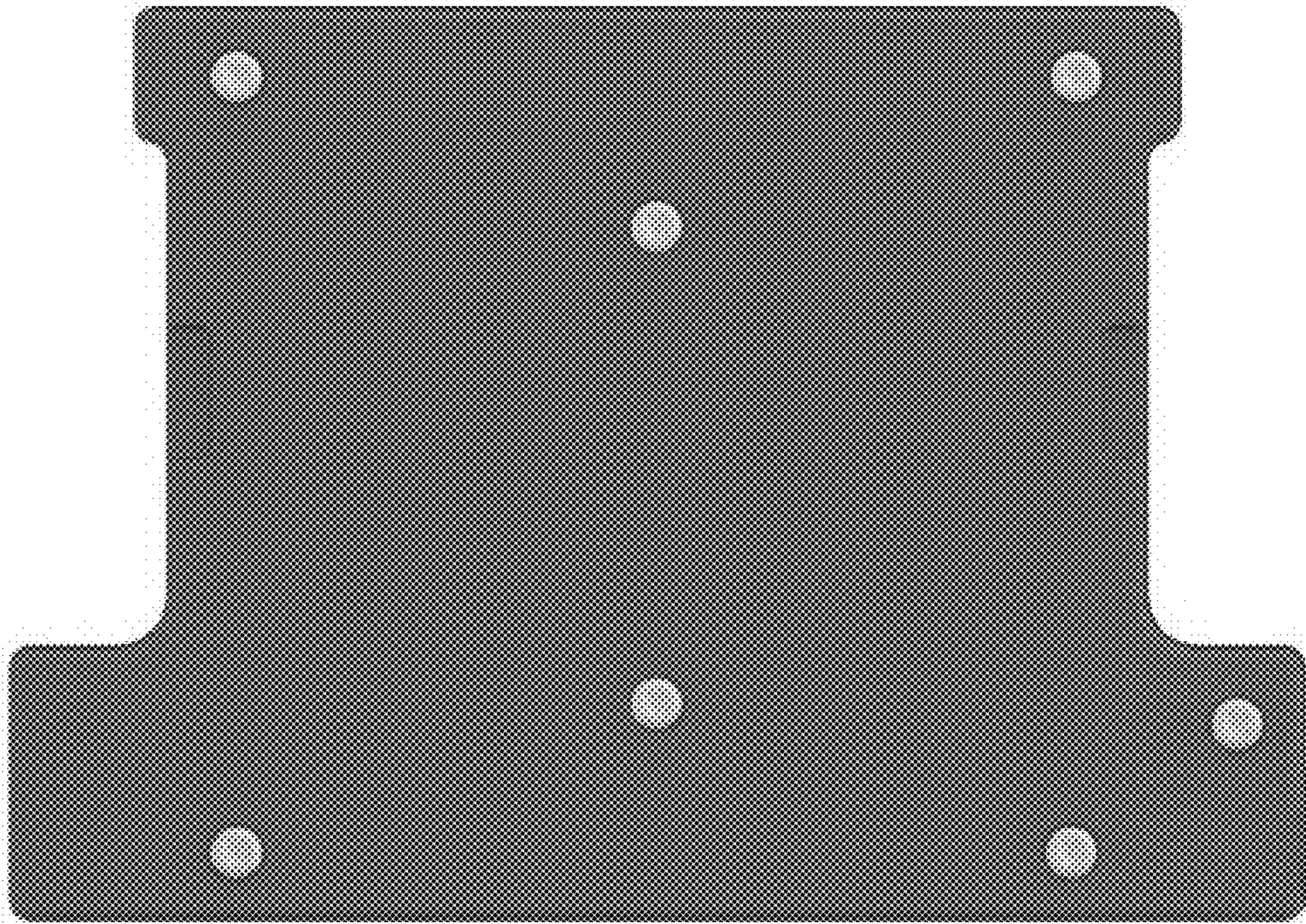


FIGURE 6

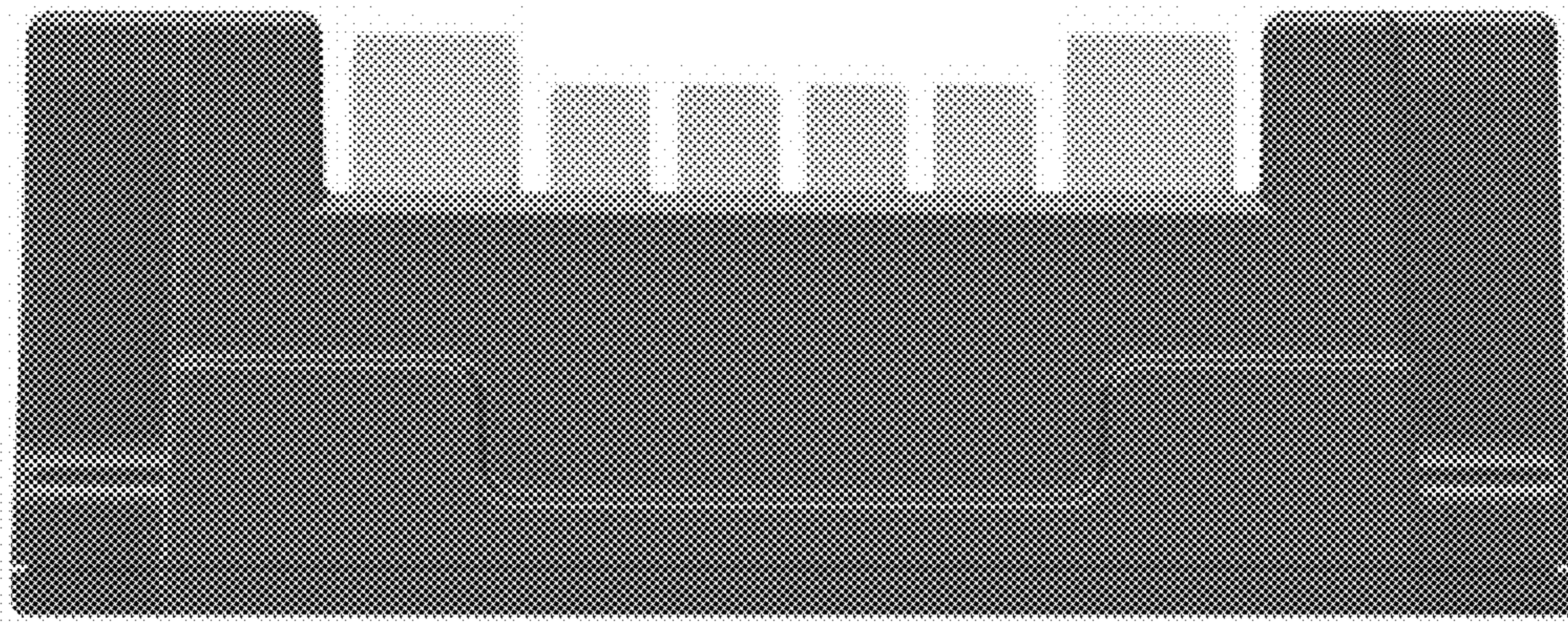


FIGURE 7