



US00D850363S

(12) **United States Design Patent**
McKibben et al.

(10) **Patent No.:** **US D850,363 S**
(45) **Date of Patent:** **** Jun. 4, 2019**

(54) **SOLAR PANEL SUPPORT**
(71) Applicant: **SUNPOWER CORPORATION**, San Jose, CA (US)
(72) Inventors: **Nicholas McKibben**, Oakland, CA (US); **Sushrut Bapat**, Alameda, CA (US); **Elizabeth Schulte**, Oakland, CA (US); **Gary Rossi**, Pleasant Hill, CA (US); **Jeremy Mansell**, Berkeley, CA (US); **Andrew Wolf**, Burlingame, CA (US); **John Kapla**, Mill Valley, CA (US)

7,554,030 B2 * 6/2009 Shingleton H02S 20/32
136/246
D649,930 S * 12/2011 Lindor D13/102
D657,738 S * 4/2012 Mackler D13/102
D663,683 S * 7/2012 Fischer D13/102
D721,644 S * 1/2015 Shimada D13/102
2014/0209146 A1 * 7/2014 Park F24S 40/85
136/246

(Continued)

Primary Examiner — Daniel D Bui
(74) *Attorney, Agent, or Firm* — Oblon, McClelland, Maier & Neustadt, L.L.P.

(73) Assignee: **SUNPOWER CORPORATION**, San Jose, CA (US)

(57) **CLAIM**

(**) Term: **15 Years**

The ornamental design for a solar panel support, as shown and described.

(21) Appl. No.: **29/639,281**

(22) Filed: **Mar. 5, 2018**

DESCRIPTION

(51) **LOC (11) Cl.** **13-02**

(52) **U.S. Cl.**
USPC **D13/102**

(58) **Field of Classification Search**
USPC D13/101, 102, 103, 104, 105, 106, 118, D13/184, 199
CPC H01L 31/00; H01L 31/02; H01L 31/042; H01L 31/045; H01L 31/046; H01L 31/048; H01L 31/05; H01L 31/052; H01L 31/0525; H02S 30/00; H02S 20/10; H02S 20/23; H02S 20/30; H02S 40/34; H02S 40/44; H02S 30/10; F24J 2/52; F03G 6/00

See application file for complete search history.

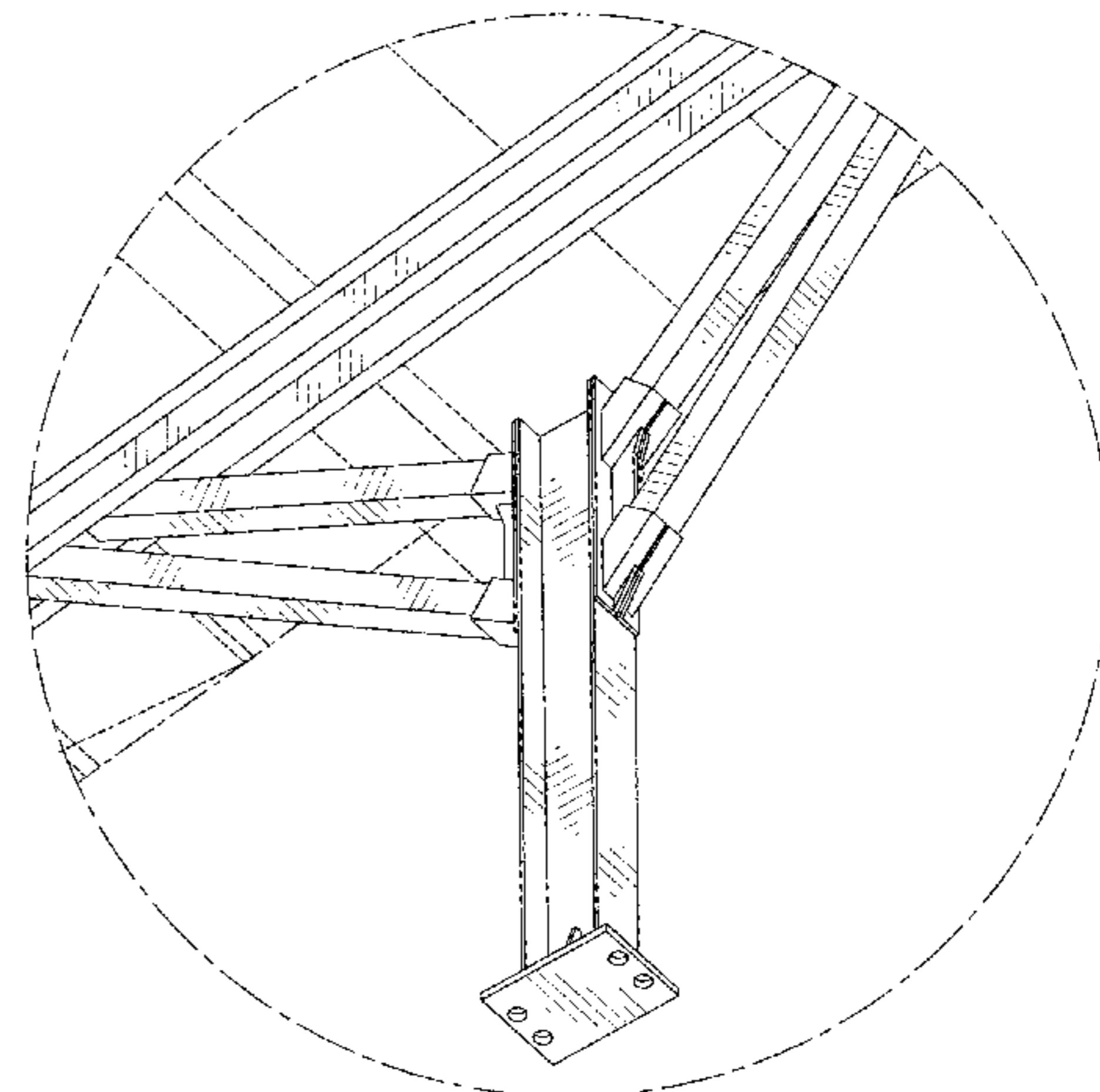
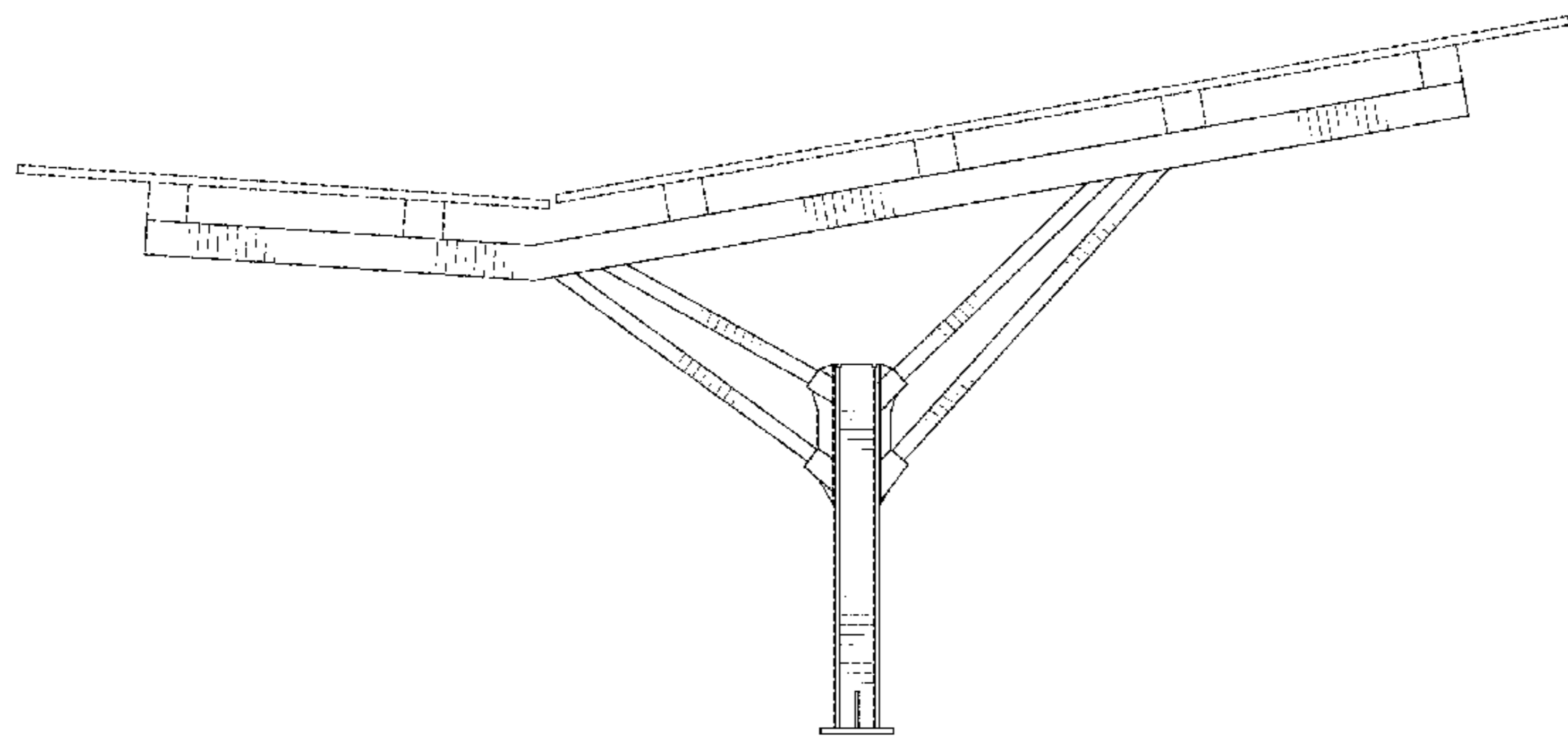
FIG. 1 is a front elevational view of a solar panel support showing our new design, the rear elevational view being a mirror image of the front elevational view shown; FIG. 2 is a right side elevational view thereof; FIG. 3 is a left side elevational view thereof; FIG. 4 is a bottom plan view thereof; FIG. 5 is a top plan view thereof; FIG. 6 is a front, bottom, and right side perspective view thereof; and, FIG. 7 is an enlarged view from callout circle 7 of FIG. 6. The evenly spaced broken lines in the drawings illustrate portions of the solar panel support that form no part of the claimed design. The dot-dash callout circles in FIGS. 6, 13, and 20 represent the boundary for the enlarged views shown in FIGS. 7, 14, and 21, respectively. The dot-dash straight lines in the drawings represent the borders for unclaimed portions of the solar panel support that are omitted for clarity. The dot-dash callout circles and the dot-dash straight lines also form no part of the claimed design.

(56) **References Cited**

U.S. PATENT DOCUMENTS

6,930,237 B2 * 8/2005 Mattiuzzo F24J 2/523
136/244
7,531,741 B1 * 5/2009 Melton H02S 20/32
136/246

1 Claim, 6 Drawing Sheets



(56)

References Cited

U.S. PATENT DOCUMENTS

2015/0288324 A1* 10/2015 Habdank H02S 20/30
52/64
2018/0062563 A1* 3/2018 Bapat F16D 1/04

* cited by examiner

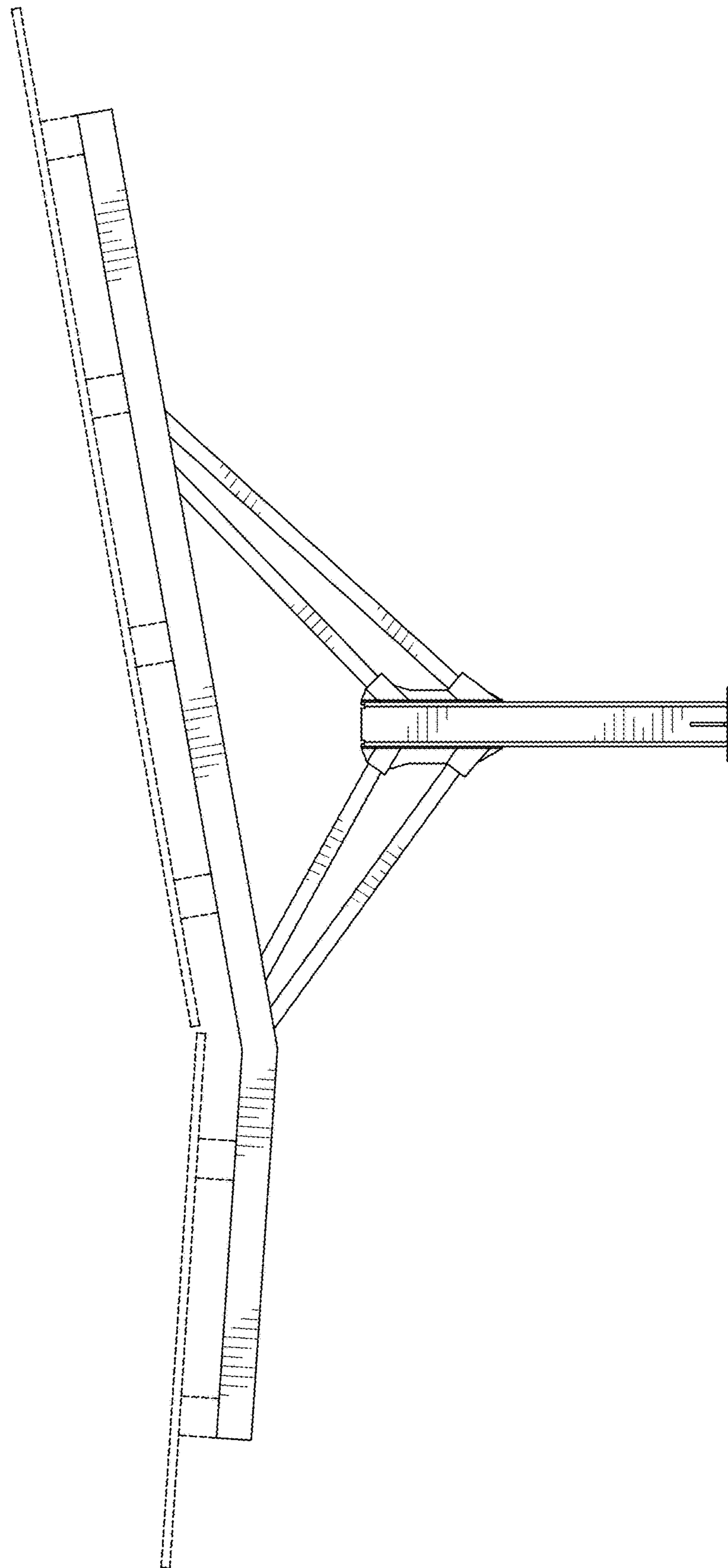


FIG. 1

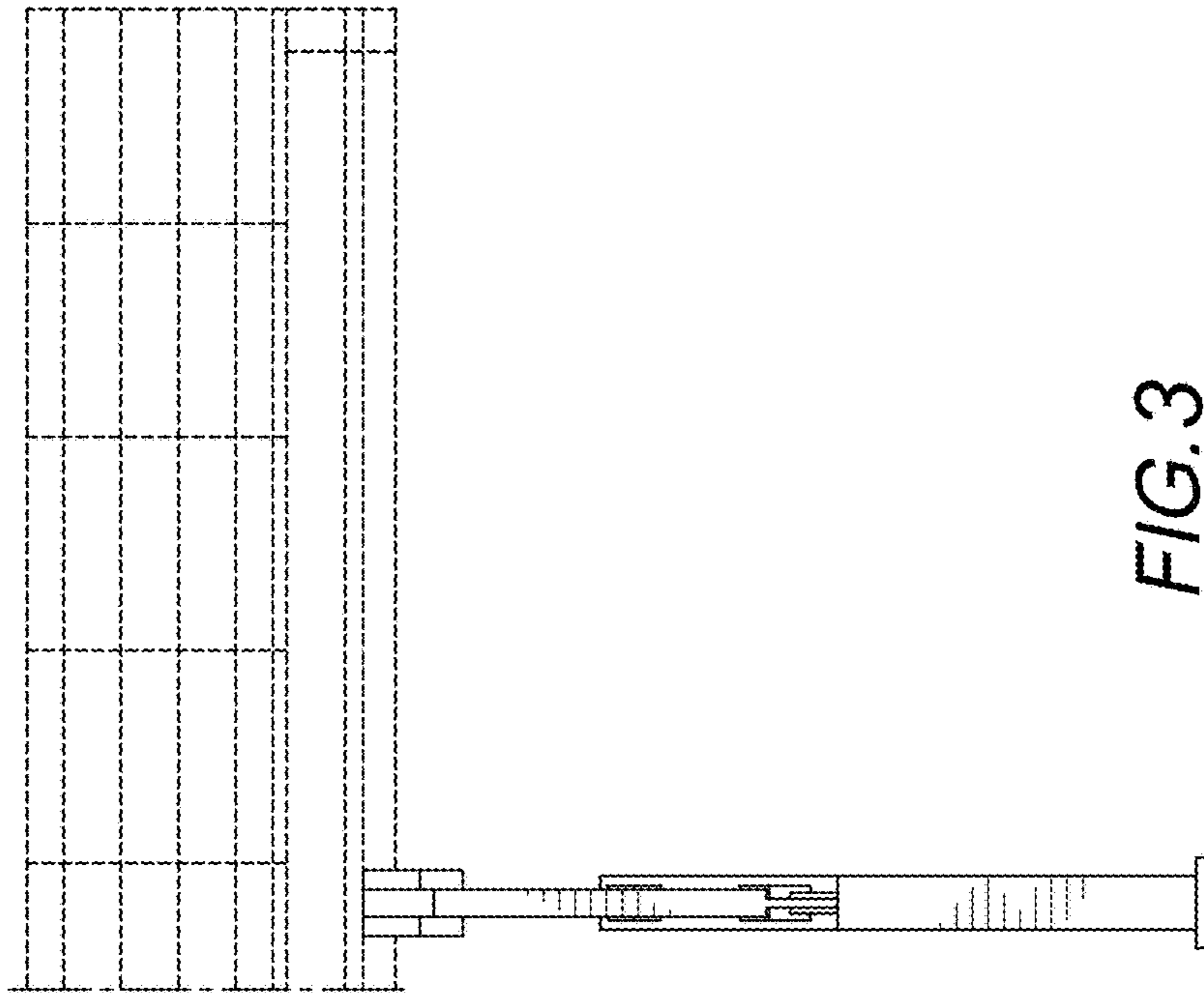


FIG. 3

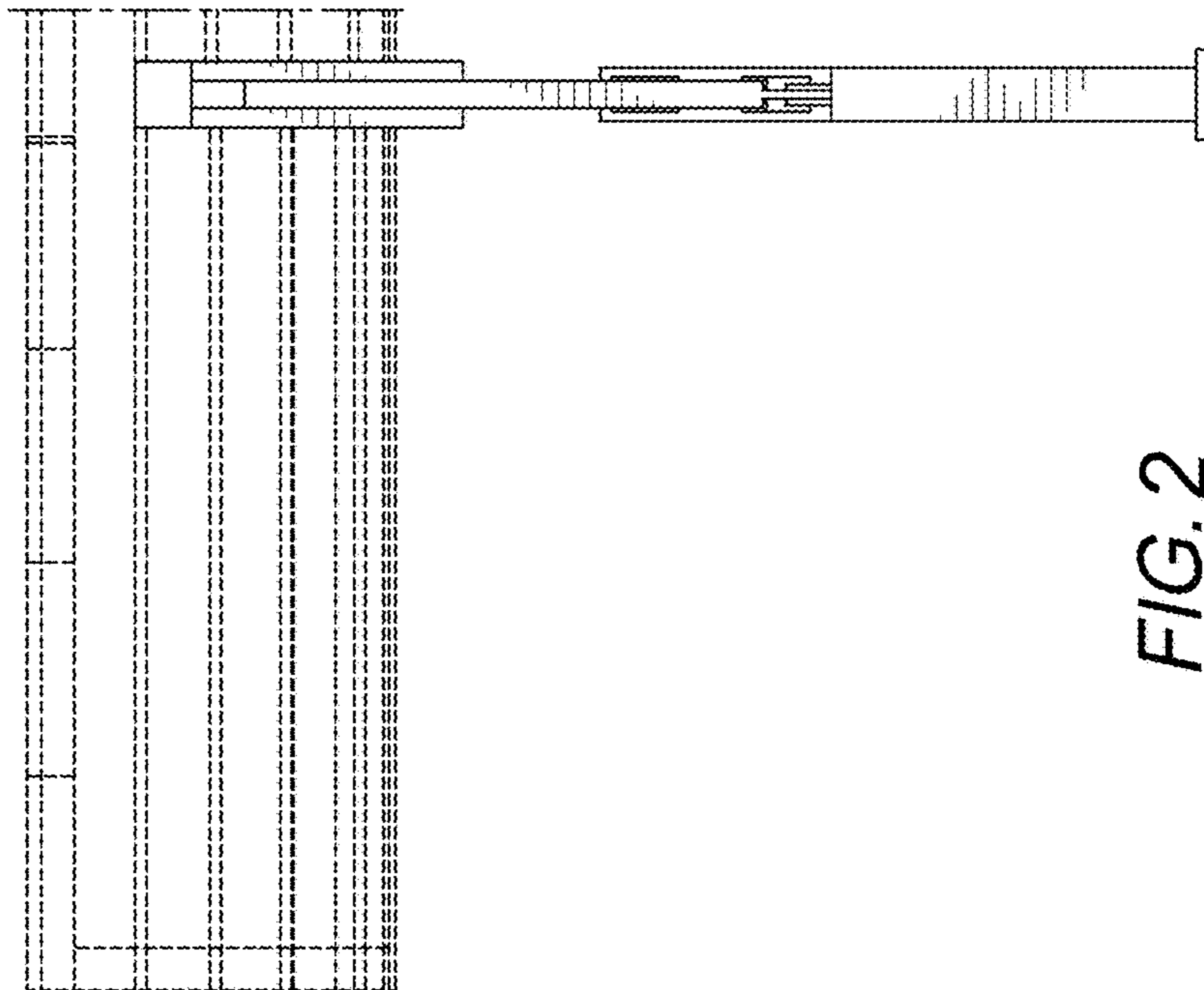


FIG. 2

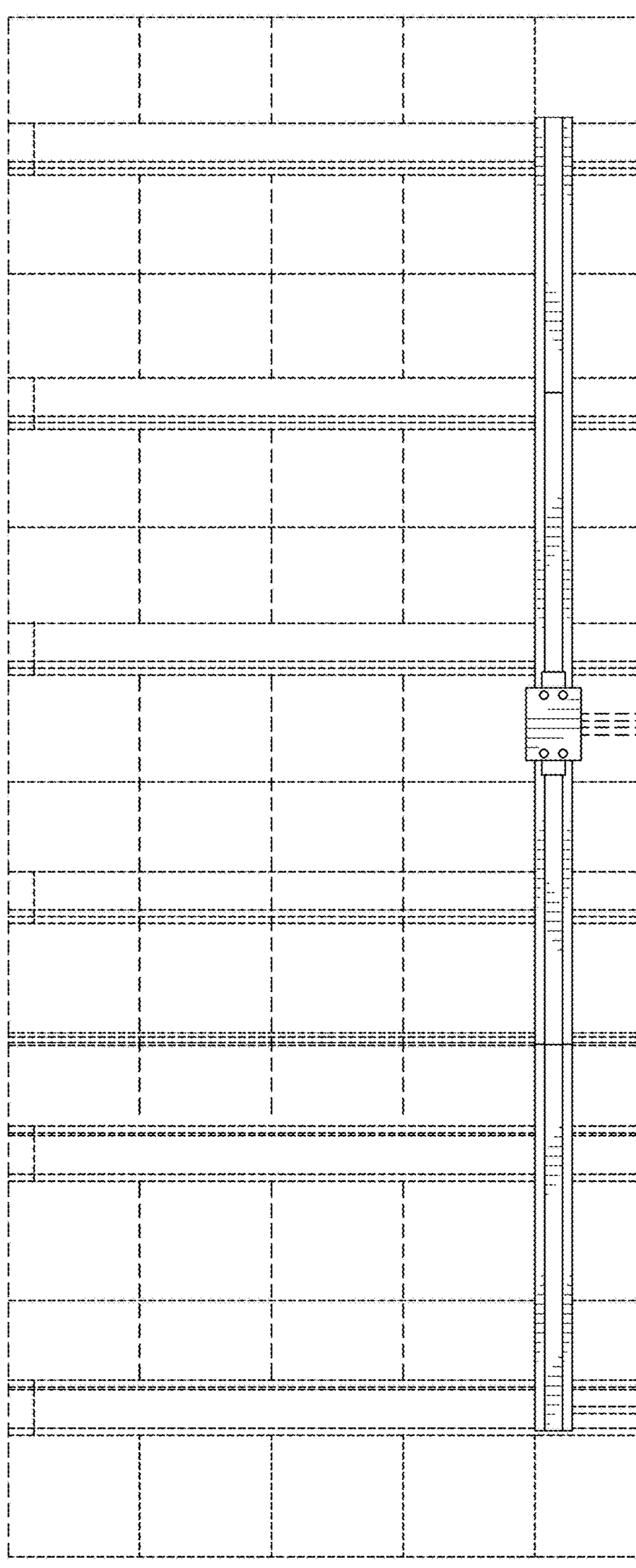


FIG. 4

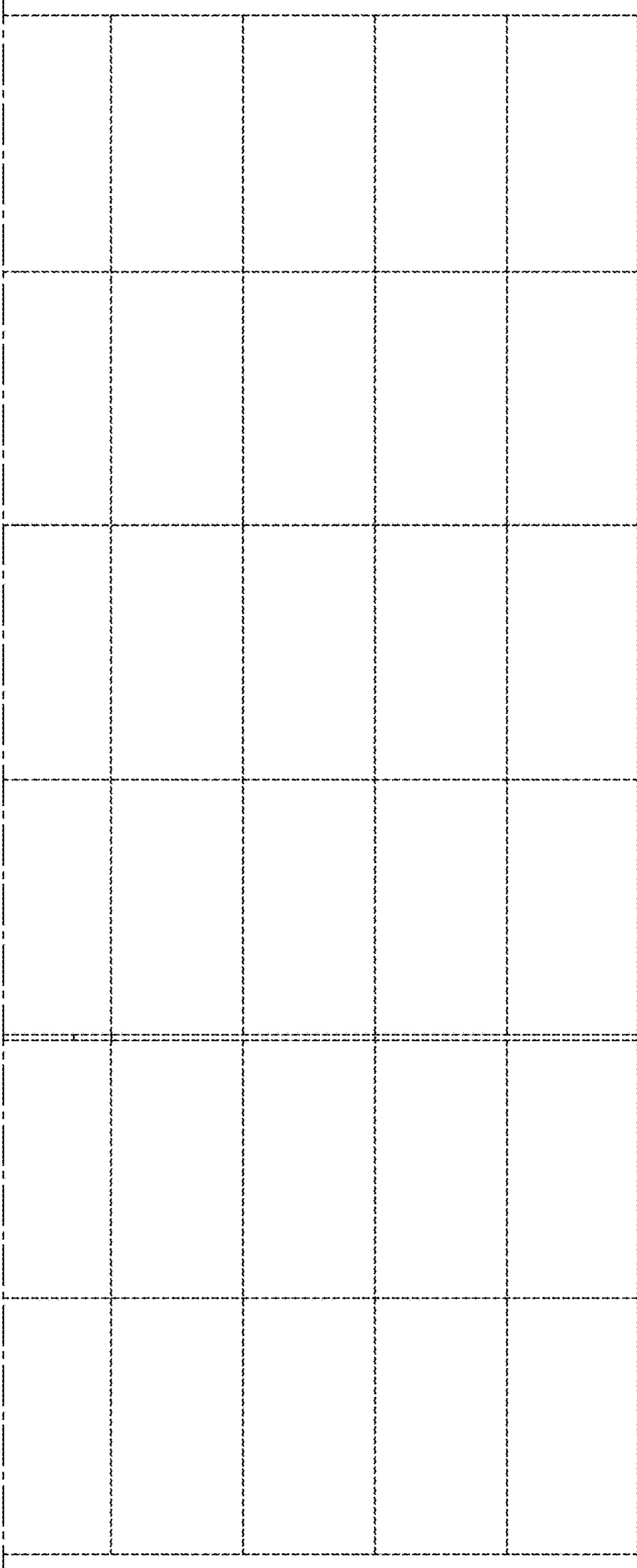


FIG. 5

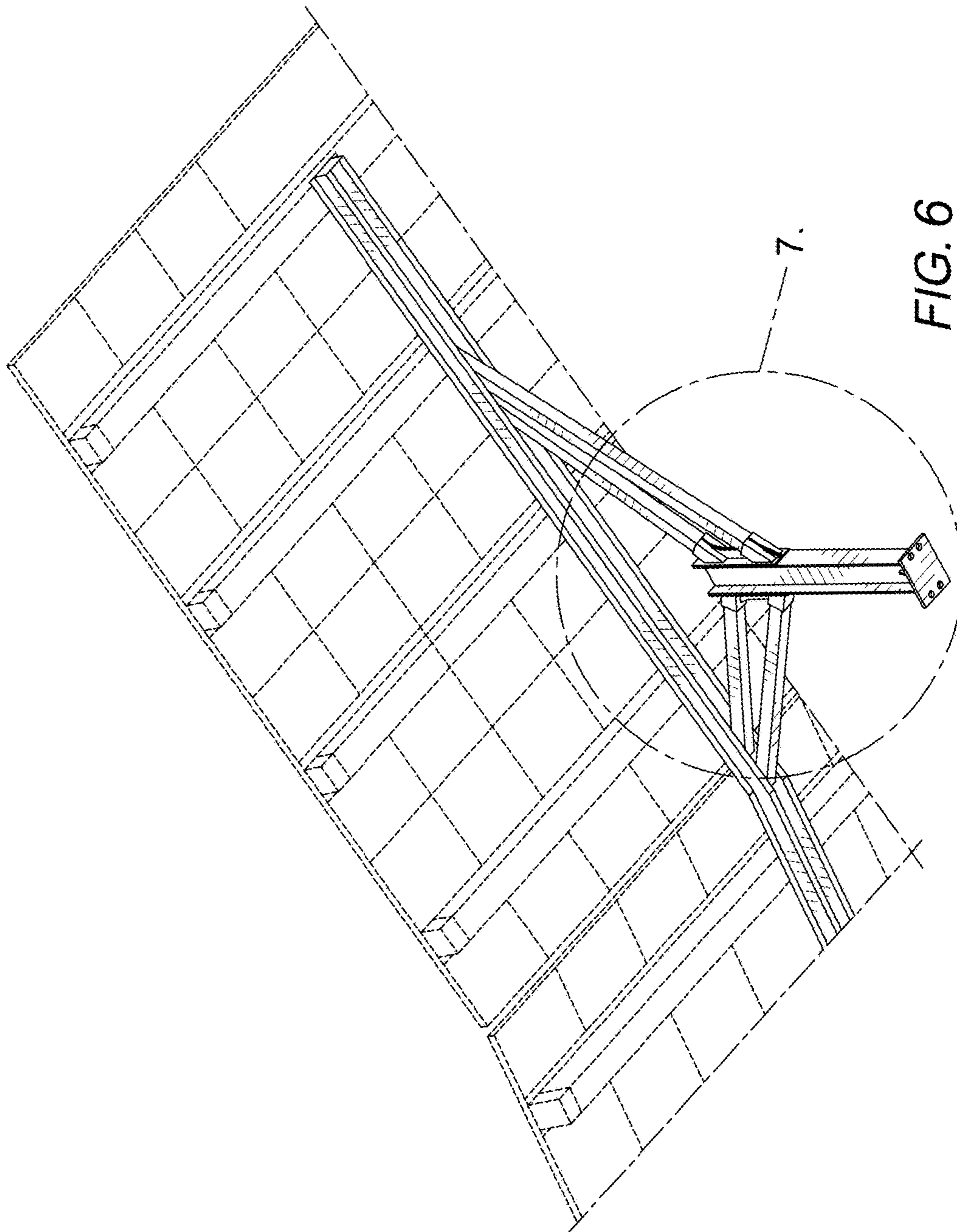


FIG. 6

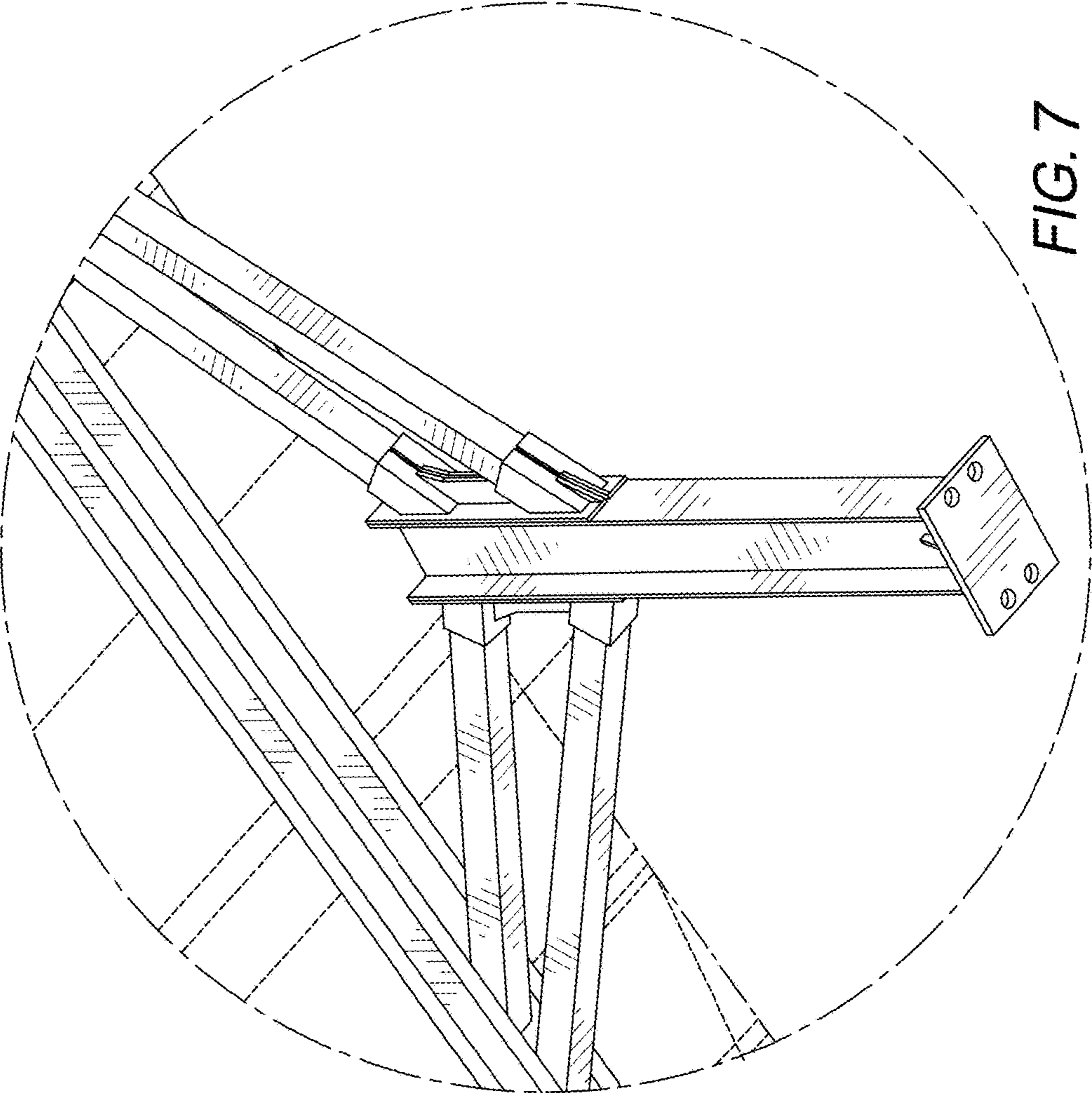


FIG. 7