



US00D850358S

(12) **United States Design Patent**  
**Park et al.**

(10) **Patent No.:** **US D850,358 S**  
(45) **Date of Patent:** **\*\* Jun. 4, 2019**

(54) **TIRE FOR AUTOMOBILE**

(71) Applicant: **Nexen Tire Corporation**, Yangsan-si,  
Gyeongsangnam-do (KR)

(72) Inventors: **Jongsu Park**, Yangsan-si (KR); **Seung Il Choi**, Yangsan-si (KR)

(73) Assignee: **NEXEN TIRE CORPORATION** (KR)

(\*\*) Term: **15 Years**

(21) Appl. No.: **29/590,704**

(22) Filed: **Jan. 12, 2017**

(51) **LOC (11) Cl.** ..... **12-15**

(52) **U.S. Cl.**  
USPC ..... **D12/523**

(58) **Field of Classification Search**  
USPC ..... D12/500-532  
CPC . Y10T 152/10027; B60C 9/17; B60C 1/0016;  
B60C 11/0306; B60C 11/0302; B60C  
3/06

See application file for complete search history.

(56) **References Cited**

**PUBLICATIONS**

Nexen N’Fera AU7 Tire reference found online [Jan. 3, 2018]—  
<https://www.nexentireusa.com/tires/high-performance/nfera-au7>.\*

\* cited by examiner

*Primary Examiner* — Lakiya G Rogers

*Assistant Examiner* — John A Voytek

(74) *Attorney, Agent, or Firm* — Hoffmann & Baron, LLP

(57) **CLAIM**

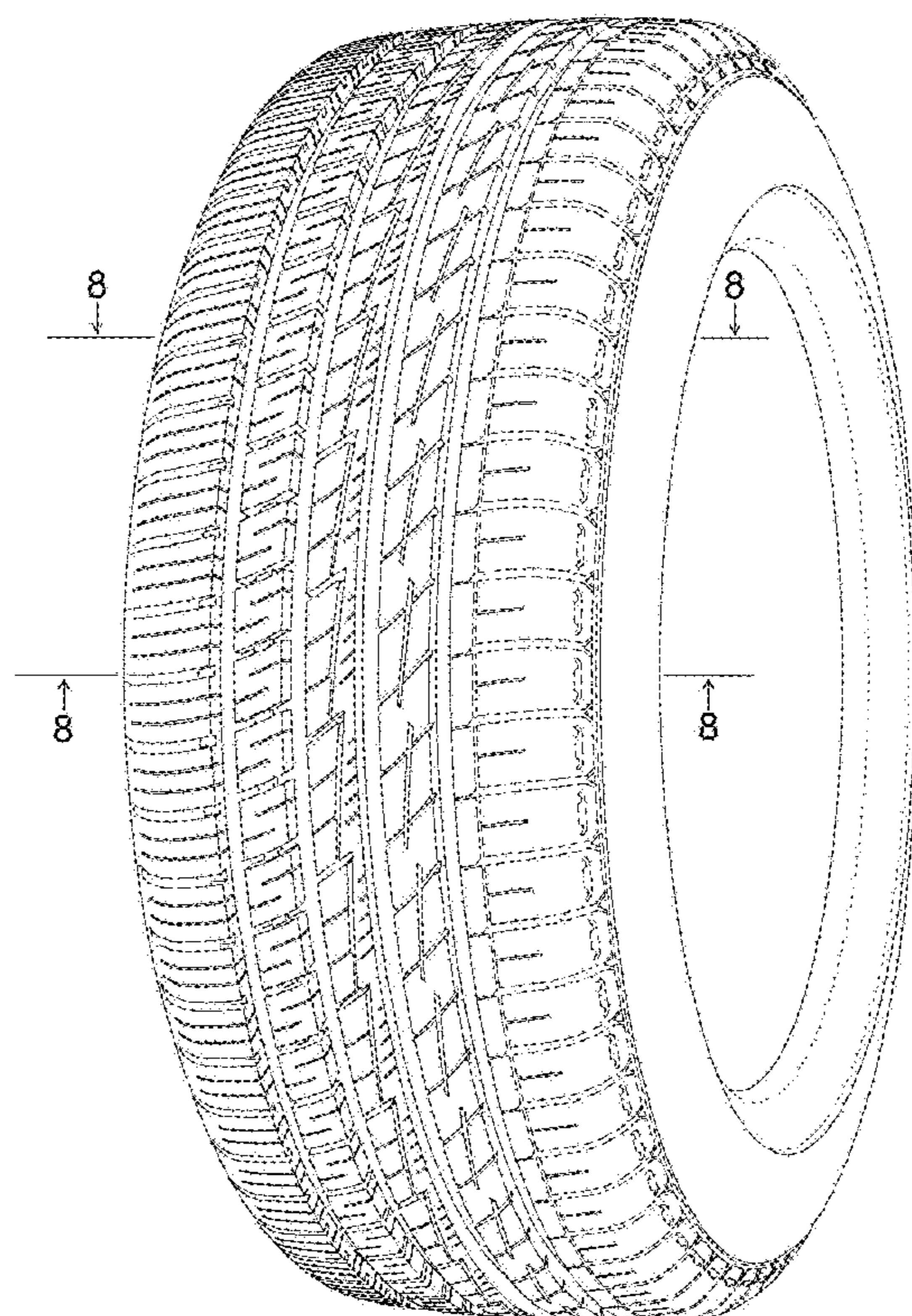
The ornamental design for a tire for automobile, as shown and described.

**DESCRIPTION**

FIG. 1 is a perspective view of a tire for automobile in accordance with the new design;  
FIG. 2 is a front view thereof;  
FIG. 3 is a back view thereof;  
FIG. 4 is a left side view thereof;  
FIG. 5 is a right side view thereof;  
FIG. 6 is a plan view thereof;  
FIG. 7 is a bottom view thereof; and,  
FIG. 8 is a detailed view of a portion of FIG. 1.

The portions of the Figures shown in broken line form no part of the claimed invention.

**1 Claim, 8 Drawing Sheets**



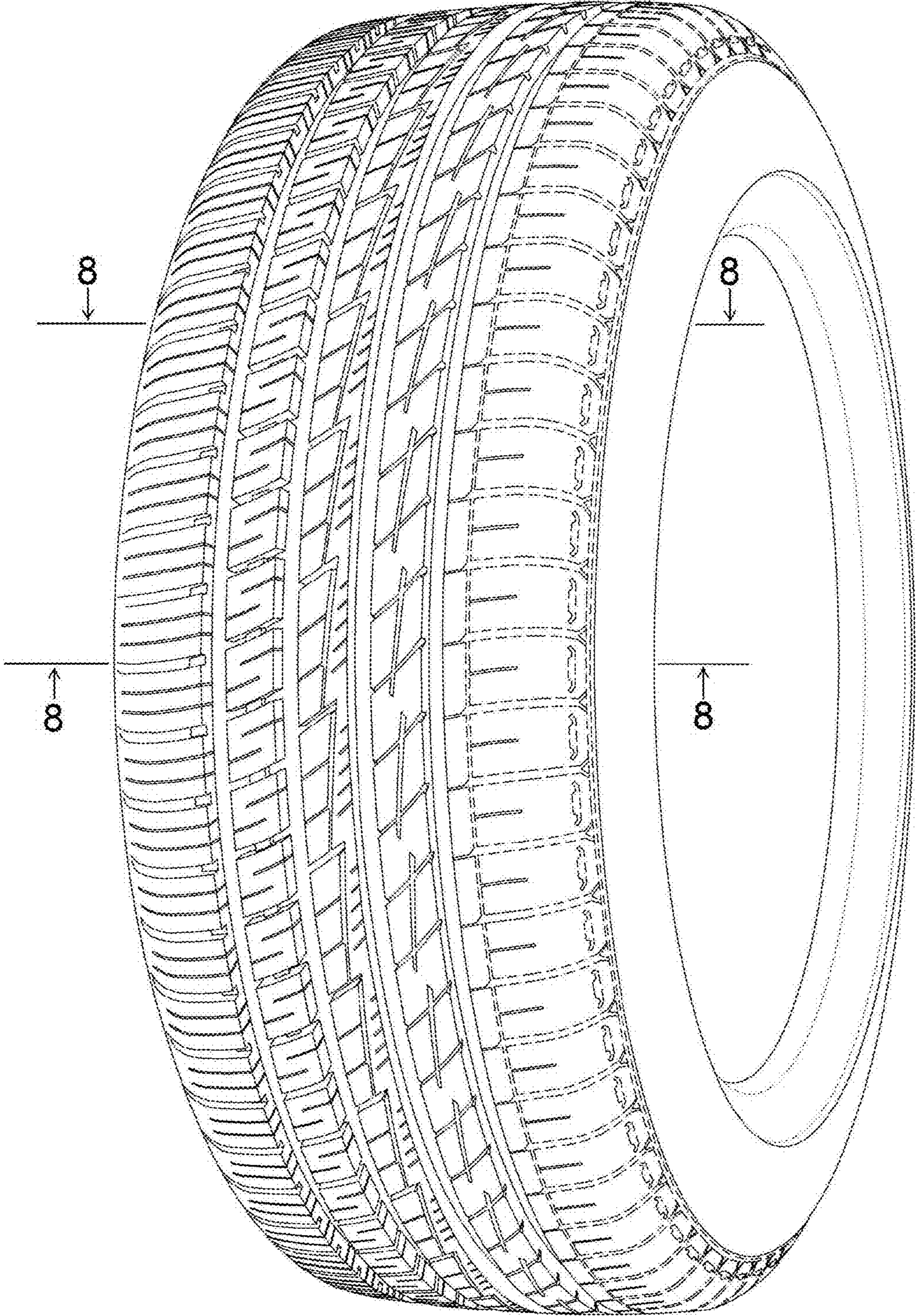
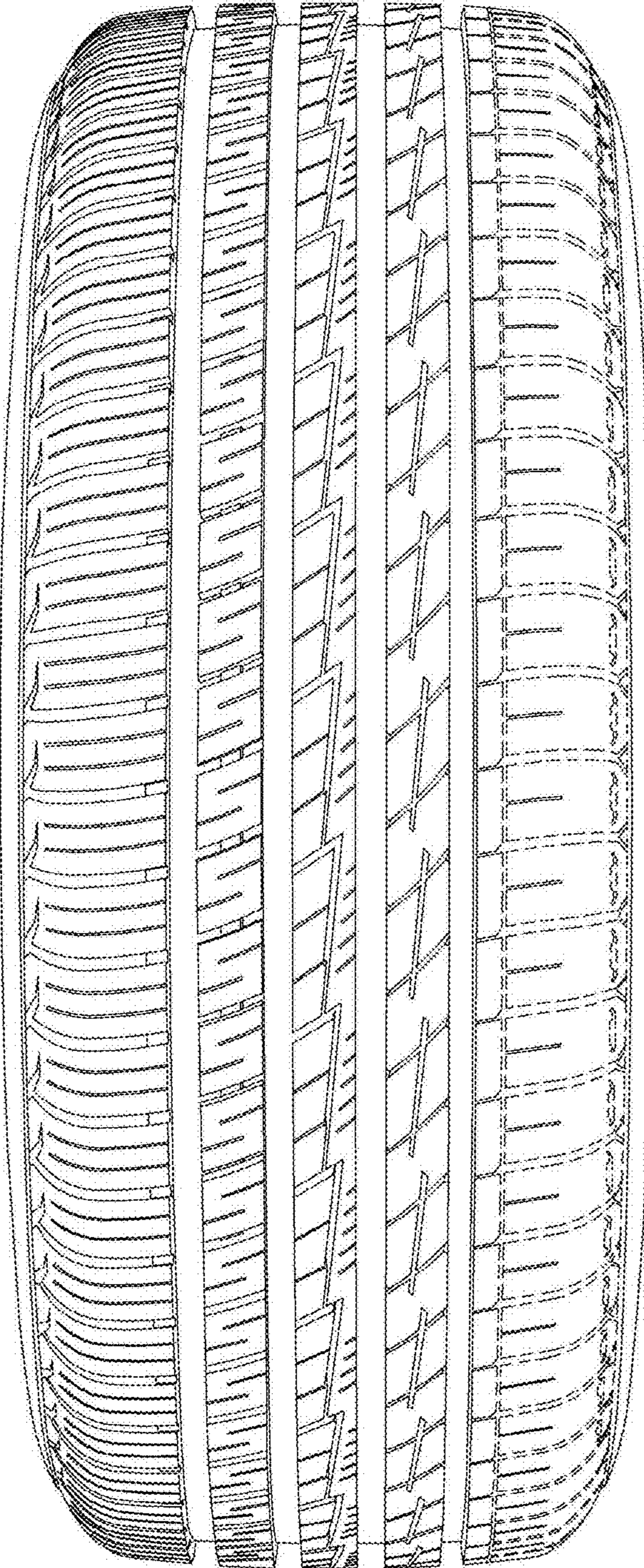
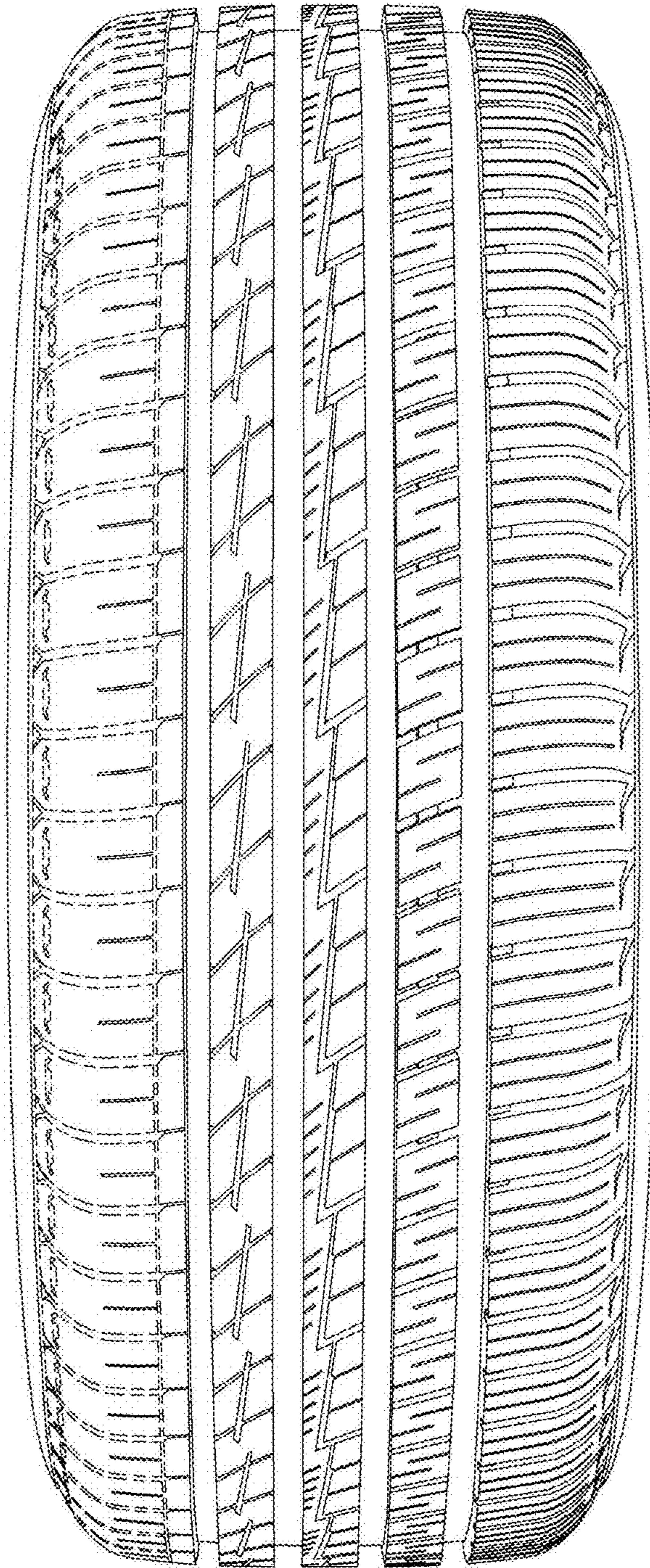


FIG. 1



**FIG. 2**



**FIG. 3**

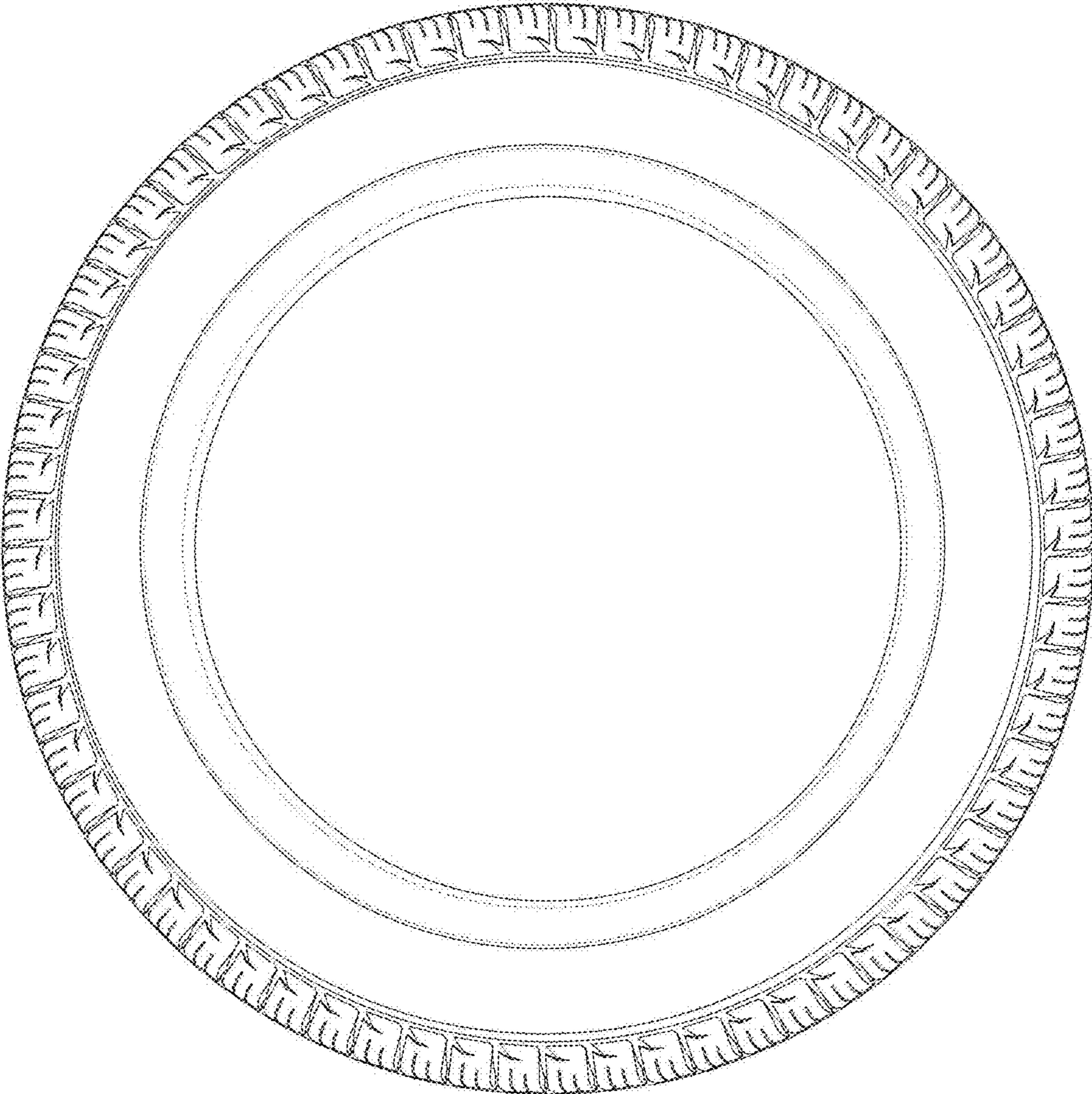
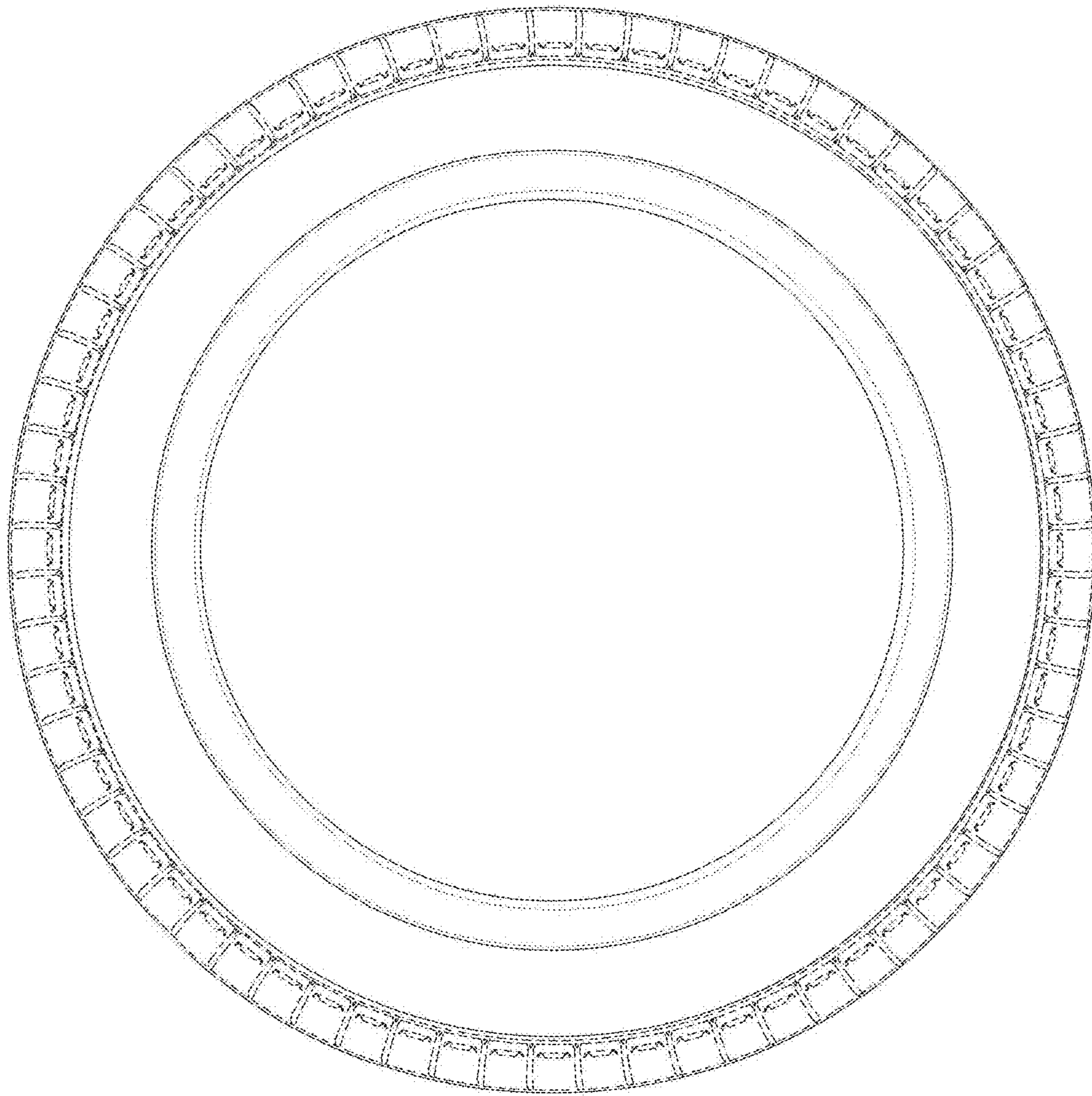
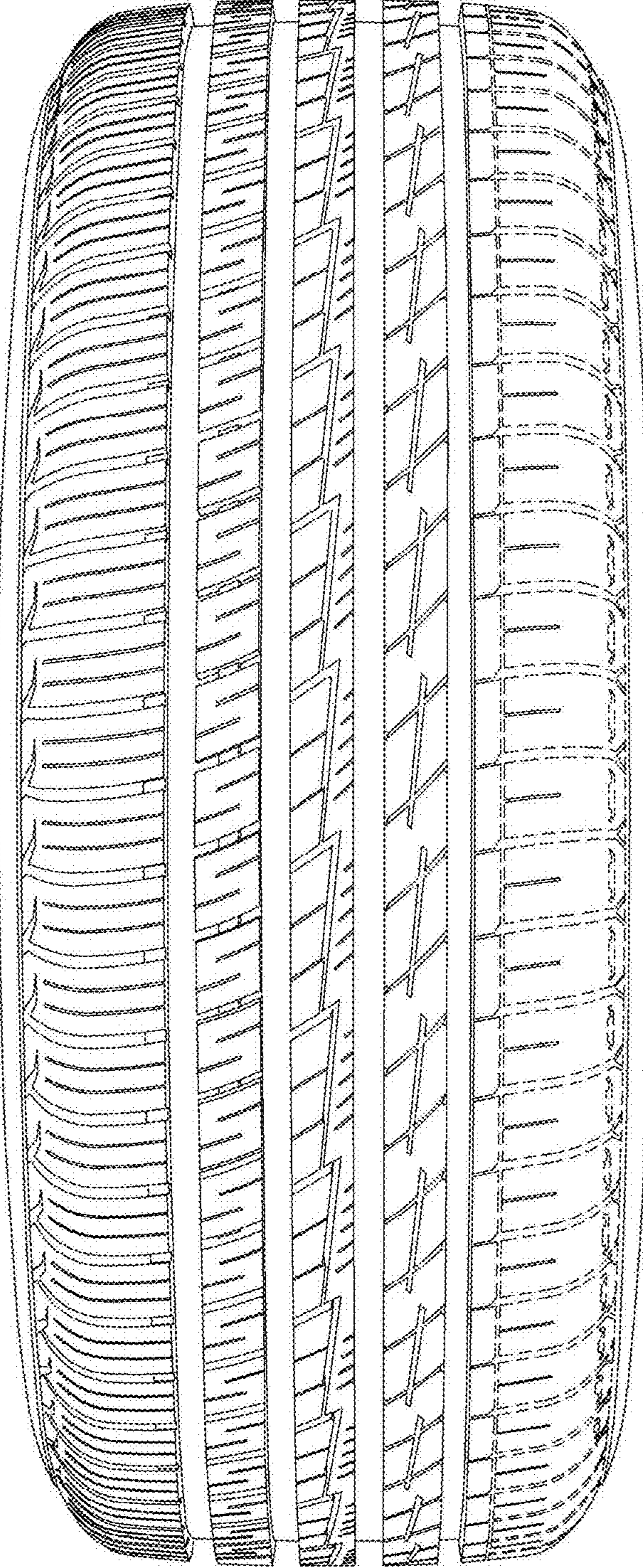


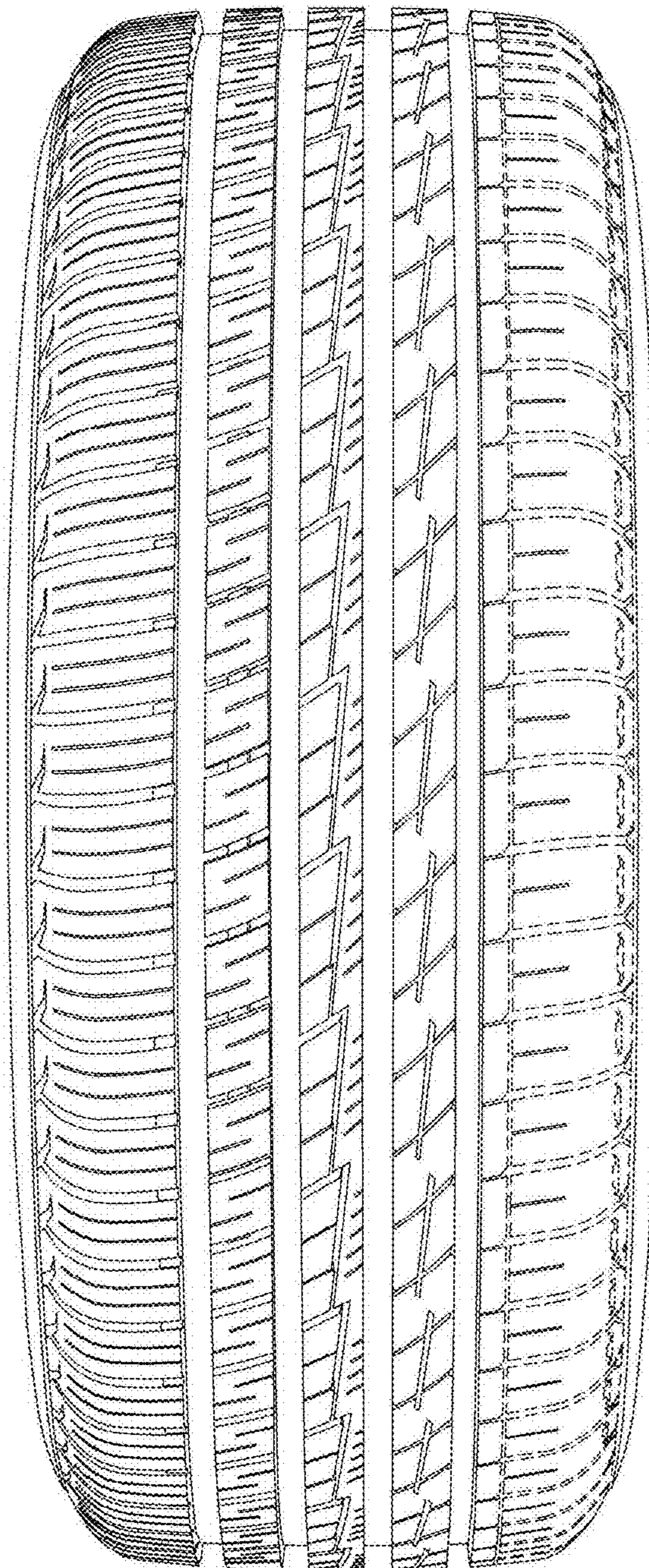
FIG. 4



**FIG. 5**



**FIG. 6**



**FIG. 7**



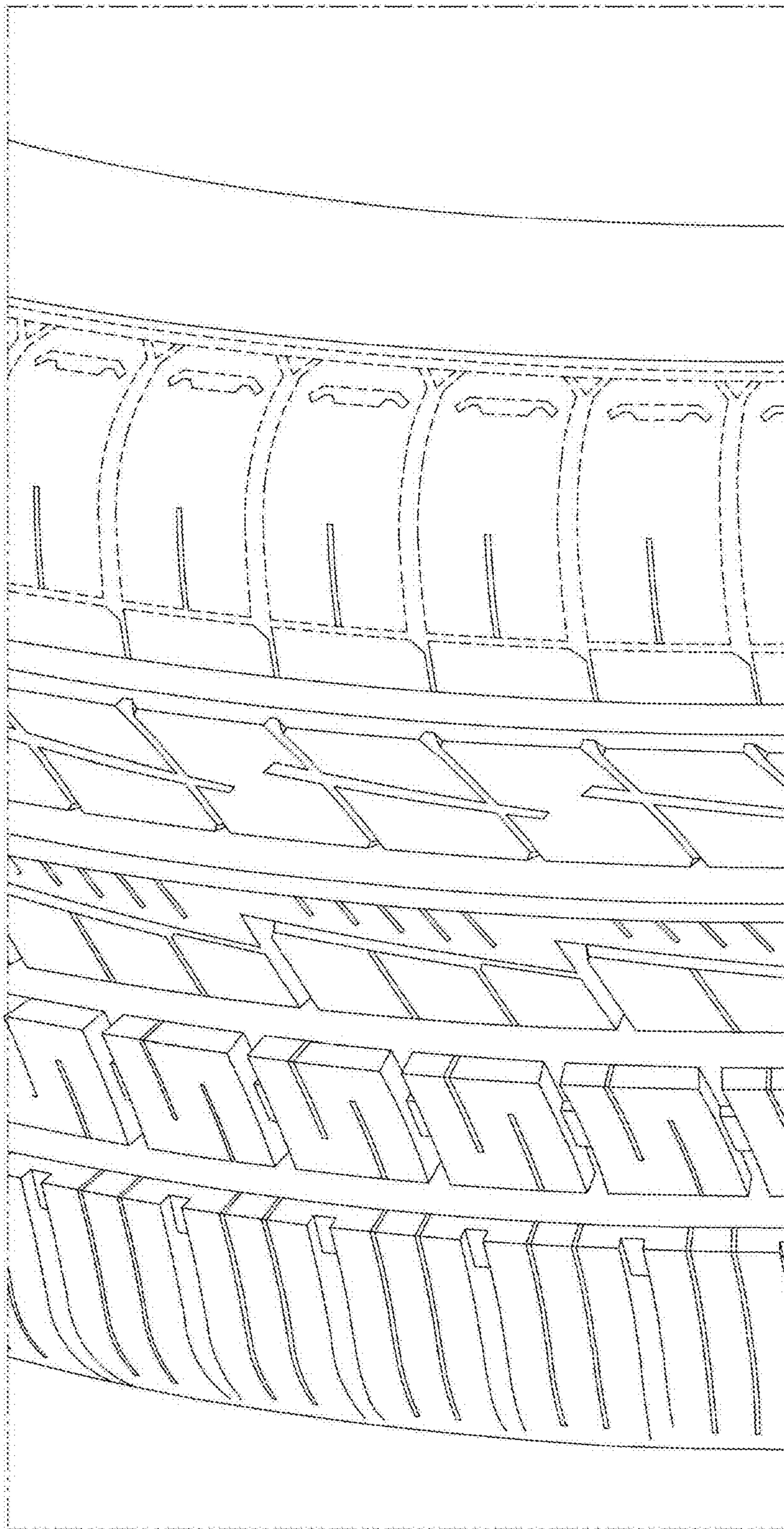


FIG. 8