



US00D850357S

(12) **United States Design Patent** (10) **Patent No.:** **US D850,357 S**  
**Cummings** (45) **Date of Patent:** **\*\* Jun. 4, 2019**

(54) **VERTICAL TAKE-OFF AND LANDING AIRCRAFT**

(71) Applicant: **Darold B Cummings**, Coeur D'Alene, ID (US)

(72) Inventor: **Darold B Cummings**, Coeur D'Alene, ID (US)

(\*\*) Term: **15 Years**

(21) Appl. No.: **29/637,028**

(22) Filed: **Feb. 13, 2018**

(51) **LOC (11) Cl.** ..... **12-07**

(52) **U.S. Cl.**  
USPC ..... **D12/326**

(58) **Field of Classification Search**  
USPC ..... D12/16.1, 319-345; D21/436, 438, 441, D21/442, 443, 444, 447, 448, 449, 450, D21/451, 452, 454  
CPC ... B64C 29/00; B64C 2201/141; B64C 27/24; B64C 27/30; B64C 39/04; B64C 29/0033; B64C 29/0025  
See application file for complete search history.

(56) **References Cited**

**U.S. PATENT DOCUMENTS**

|              |         |                    |       |          |
|--------------|---------|--------------------|-------|----------|
| D92,189 S *  | 5/1934  | Minshall           | ..... | D12/341  |
| D109,022 S * | 3/1938  | Lewman             | ..... | D12/339  |
| D119,714 S * | 3/1940  | Hibbard            | ..... | 244/13   |
| D121,584 S * | 7/1940  | Case               | ..... | 244/45 R |
| D134,425 S * | 11/1942 | McDonnell, Jr.     | ..... | 244/13   |
| D143,791 S * | 2/1946  | Burton             | ..... | 244/45 R |
| D143,820 S * | 2/1946  | Hibbard            | ..... | 244/13   |
| D144,018 S * | 3/1946  | Altman             | ..... | 244/45 R |
| D144,146 S * | 3/1946  | Tydon et al.       | ..... | 244/13   |
| D144,211 S * | 3/1946  | Northrop           | ..... | 244/37   |
| D271,683 S * | 12/1983 | Clifton            | ..... | D12/326  |
| D274,510 S * | 7/1984  | McComas            | ..... | D12/338  |
| D279,094 S * | 6/1985  | Ferrell            | ..... | D12/340  |
| D295,037 S * | 4/1988  | Stalony-Dobrzanski | ....  | D12/319  |

5,115,996 A \* 5/1992 Moller ..... B64C 29/0025 239/265.19

D370,456 S \* 6/1996 Buchsel ..... D12/319

D371,536 S \* 7/1996 Jones ..... D12/333

(Continued)

**OTHER PUBLICATIONS**

Boeing Frontiers Online by Gary Sanders. dated Jul. 2004. found online [Jan. 9, 2019] [https://www.boeing.com/news/frontiers/archive/2004/july/ts\\_sf14.html](https://www.boeing.com/news/frontiers/archive/2004/july/ts_sf14.html).\*

*Primary Examiner* — Marissa J Cash

(74) *Attorney, Agent, or Firm* — Morland C. Fischer

(57) **CLAIM**

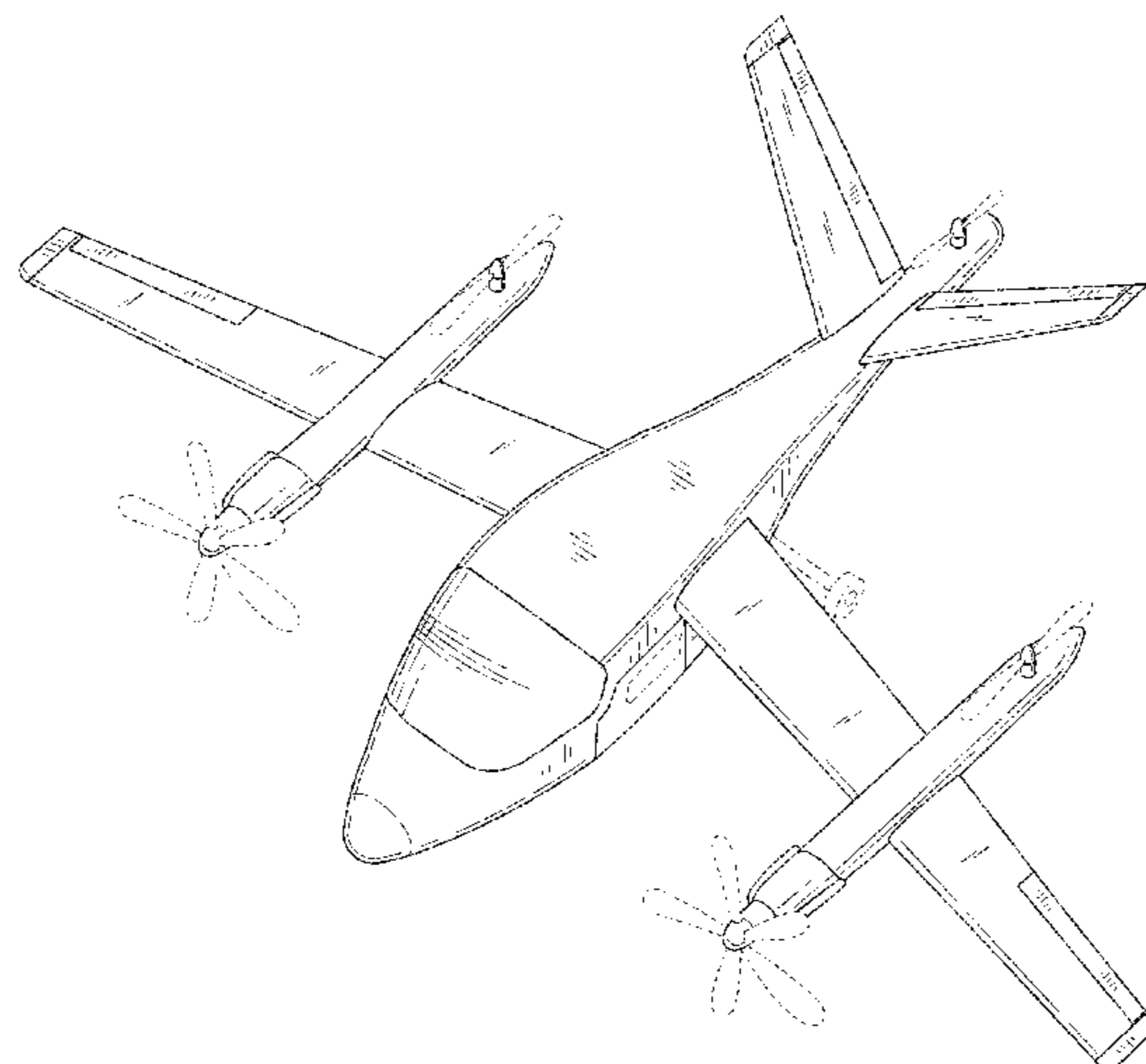
The ornamental design for a vertical take-off and landing aircraft, as shown and described.

**DESCRIPTION**

FIG. 1 is a perspective view showing the top, left side and from of a vertical take-off landing aircraft which forms a first embodiment of my new design;  
FIG. 2 is a top plan view thereof;  
FIG. 3 is a left side elevational view thereof;  
FIG. 4 is a bottom plan view thereof;  
FIG. 5 is a right side elevational view thereof;  
FIG. 6 is a front elevational view thereof;  
FIG. 7 is a rear elevational view thereof;  
FIG. 8 is a perspective view showing the top, left side and front of a vertical take-off and landing aircraft which forms an alternate embodiment of my new design;  
FIG. 9 is a top plan view thereof;  
FIG. 10 is a left side elevational view thereof;  
FIG. 11 is a bottom plan view thereof;  
FIG. 12 is a right side elevational thereof;  
FIG. 13 is a front elevational view thereof; and,  
FIG. 14 is a rear elevational view thereof.

The broken lines in the drawings illustrate portions of the vertical take-off and landing aircraft that form no part of the claimed design.

**1 Claim, 8 Drawing Sheets**



(56)

References Cited

U.S. PATENT DOCUMENTS

|                |         |             |       |                          |                   |         |               |       |                           |
|----------------|---------|-------------|-------|--------------------------|-------------------|---------|---------------|-------|---------------------------|
| D392,937 S *   | 3/1998  | Brichard    | ..... | D12/319                  | D717,227 S *      | 11/2014 | Herzberger    | ..... | D12/324                   |
| D394,039 S *   | 5/1998  | Cummings    | ..... | D12/319                  | D739,807 S *      | 9/2015  | Strand        | ..... | D12/324                   |
| D396,842 S *   | 8/1998  | Jones       | ..... | D12/333                  | D743,868 S *      | 11/2015 | Cummings      | ..... | D12/328                   |
| D414,740 S *   | 10/1999 | Margaritoff | ..... | D12/319                  | D760,638 S *      | 7/2016  | Beskar        | ..... | D12/344                   |
| D417,639 S *   | 12/1999 | Carichner   | ..... | D12/16.1                 | D763,733 S *      | 8/2016  | Gattelli      | ..... | D12/16.1                  |
| D456,337 S *   | 4/2002  | Sankrithi   | ..... | D12/335                  | D778,803 S *      | 2/2017  | Faure         | ..... | D12/319                   |
| D464,604 S *   | 10/2002 | Jamgarov    | ..... | D12/319                  | D783,453 S *      | 4/2017  | Klick         | ..... | D12/16.1                  |
| D466,858 S *   | 12/2002 | Carroll     | ..... | D12/337                  | D795,160 S *      | 8/2017  | Koppenwallner | ..... | D12/343                   |
| D486,776 S *   | 2/2004  | Carr        | ..... | D12/319                  | D799,402 S        | 10/2017 | Cummings      |       |                           |
| D496,074 S *   | 9/2004  | Darack      | ..... | D12/321                  | D800,843 S *      | 10/2017 | Sartorius     | ..... | D21/447                   |
| D498,201 S *   | 11/2004 | Moller      | ..... | D12/319                  | D801,856 S *      | 11/2017 | Zhou          | ..... | D12/16.1                  |
| D500,981 S *   | 1/2005  | Wilding     | ..... | D12/319                  | D803,724 S *      | 11/2017 | Zhou          | ..... | D12/16.1                  |
| D501,178 S *   | 1/2005  | Han         | ..... | D12/319                  | D807,273 S *      | 1/2018  | Koppenwallner | ..... | D12/337                   |
| D504,654 S *   | 5/2005  | Graham      | ..... | D12/319                  | D807,809 S *      | 1/2018  | Suzuki        | ..... | D12/344                   |
| D543,494 S *   | 5/2007  | Hall        | ..... | D12/319                  | D808,328 S *      | 1/2018  | Ivans         | ..... | D12/328                   |
| D559,761 S *   | 1/2008  | Au          | ..... | D12/319                  | D810,621 S *      | 2/2018  | Sadek         | ..... | D12/16.1                  |
| D559,762 S *   | 1/2008  | Au          | ..... | D12/319                  | D813,143 S *      | 3/2018  | Belik         | ..... | D12/326                   |
| D583,295 S *   | 12/2008 | Au          | ..... | D12/343                  | 9,964,184 B2 *    | 5/2018  | Modrzejewski  | ..... | F16H 3/58                 |
| D642,968 S *   | 8/2011  | Zhao        | ..... | D12/344                  | D822,579 S *      | 7/2018  | Lienhard      | ..... | D12/328                   |
| D665,331 S *   | 8/2012  | Sands       | ..... | D12/319                  | D829,633 S *      | 10/2018 | Cummings      | ..... | D12/337                   |
| 8,544,787 B2 * | 10/2013 | Lee         | ..... | B64C 29/0033<br>244/12.4 | 2016/0152329 A1 * | 6/2016  | Tzeng         | ..... | B64C 29/0033<br>416/134 R |
| D708,563 S *   | 7/2014  | Colten      | ..... | D12/319                  | 2016/0207611 A1 * | 7/2016  | Fenny         | ..... | B64C 25/20                |
|                |         |             |       |                          | 2016/0236774 A1 * | 8/2016  | Niedzballa    | ..... | B64C 27/30                |
|                |         |             |       |                          | 2017/0036753 A1 * | 2/2017  | Shue          | ..... | B64C 13/22                |
|                |         |             |       |                          | 2018/0072398 A1 * | 3/2018  | Sartorius     | ..... | B64C 1/26                 |

\* cited by examiner

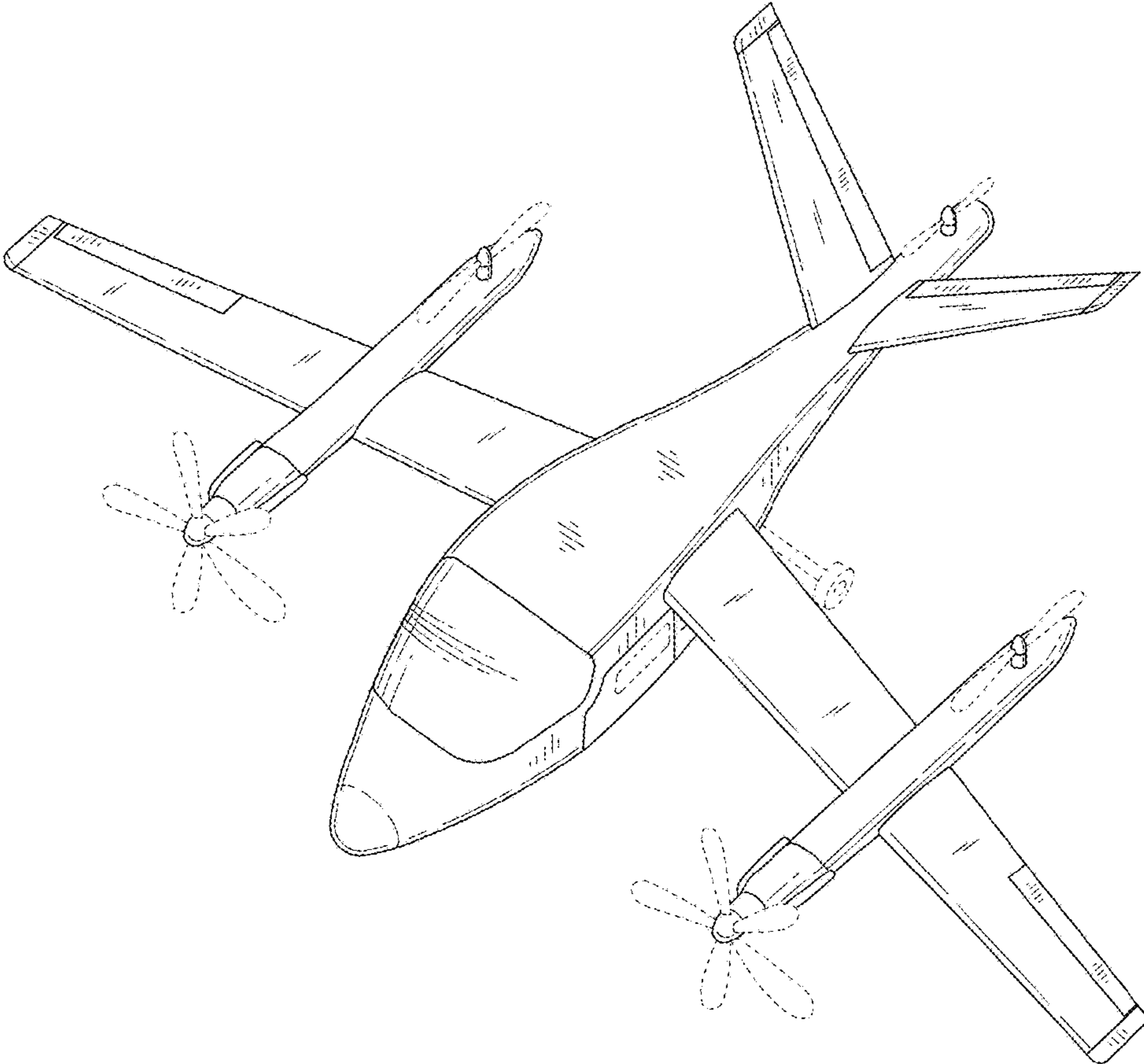
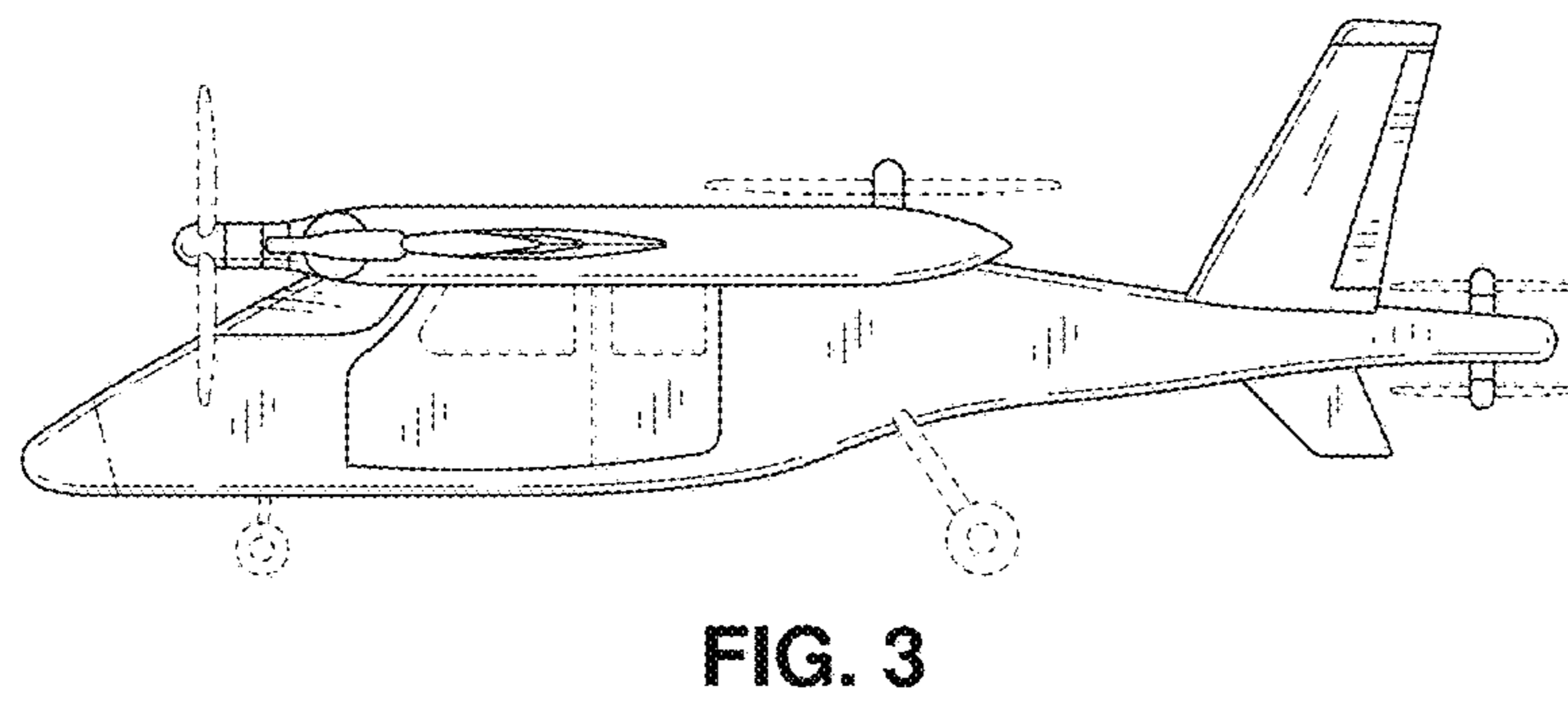
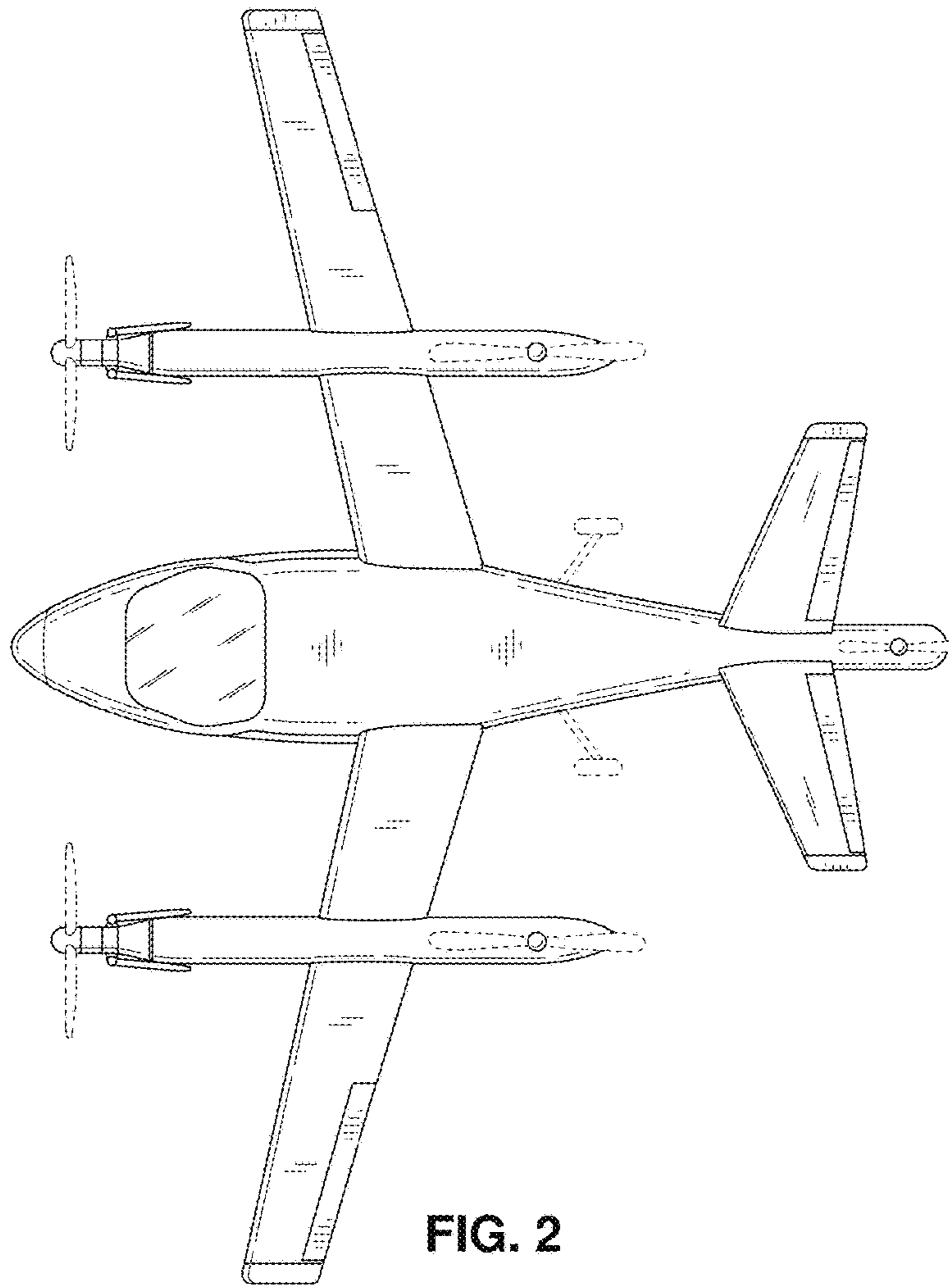


FIG. 1



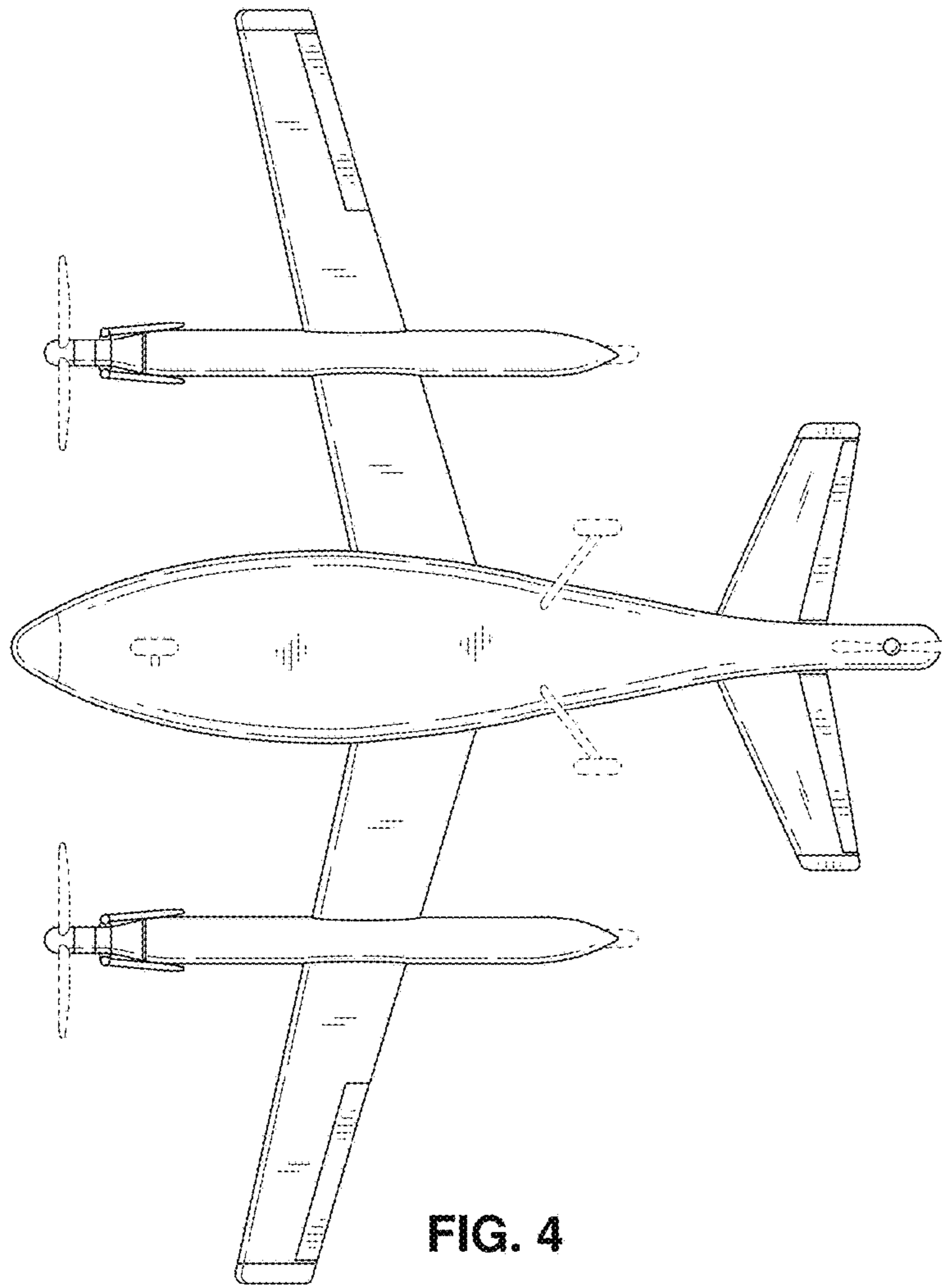


FIG. 4

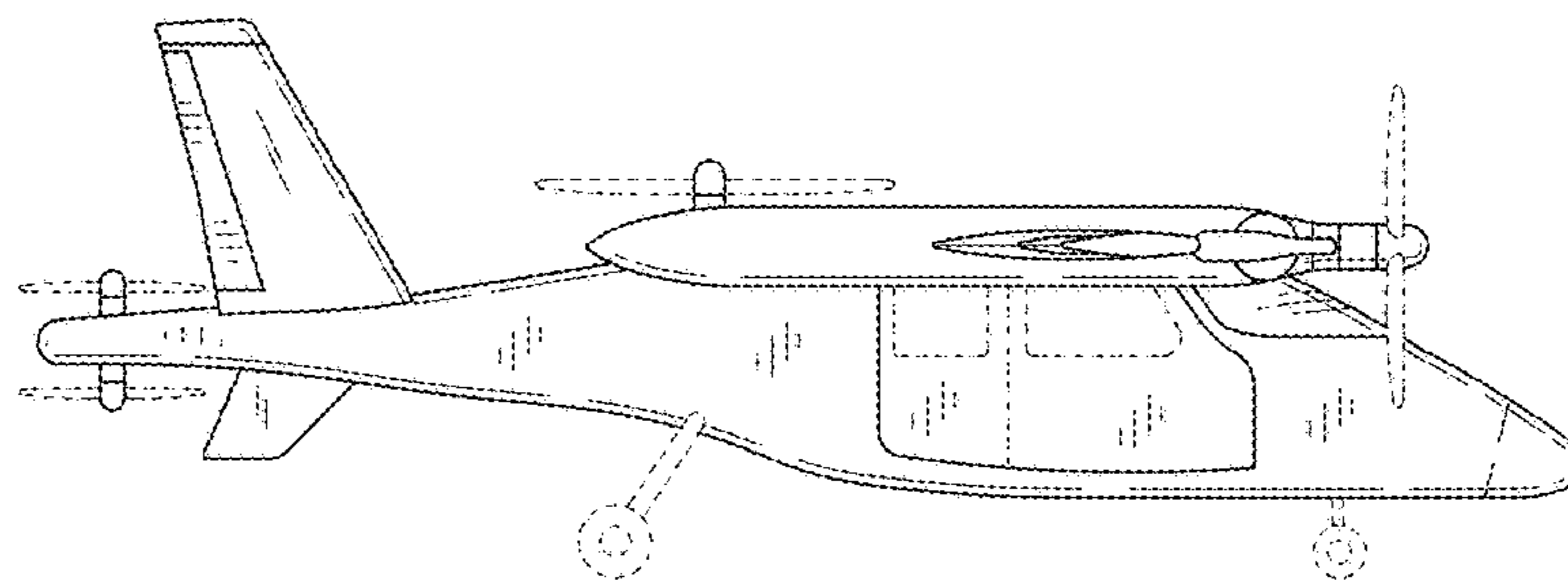


FIG. 5

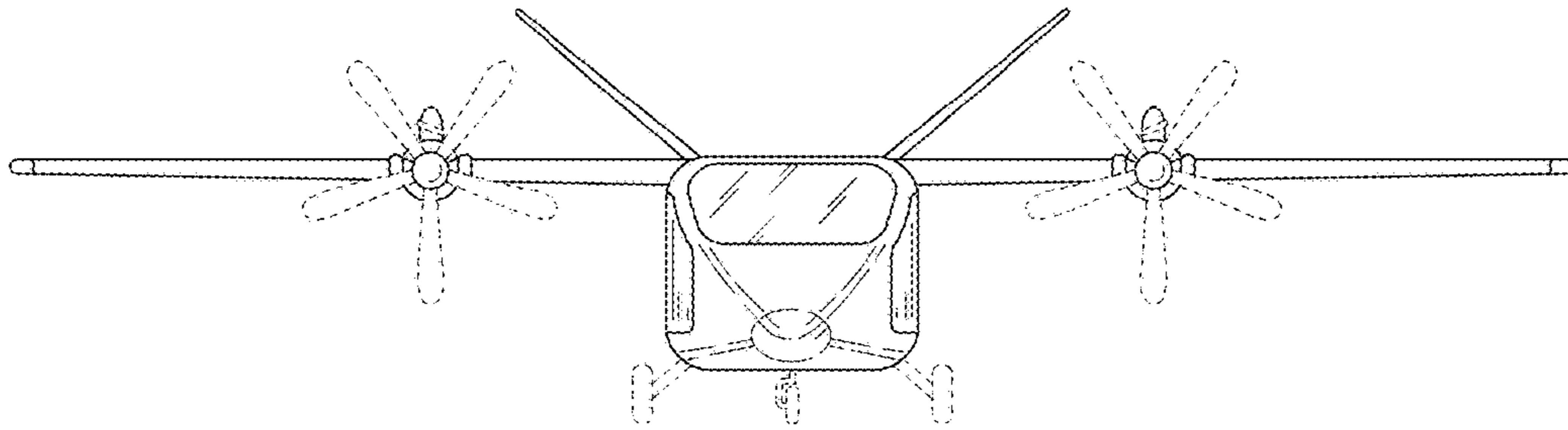


FIG. 6

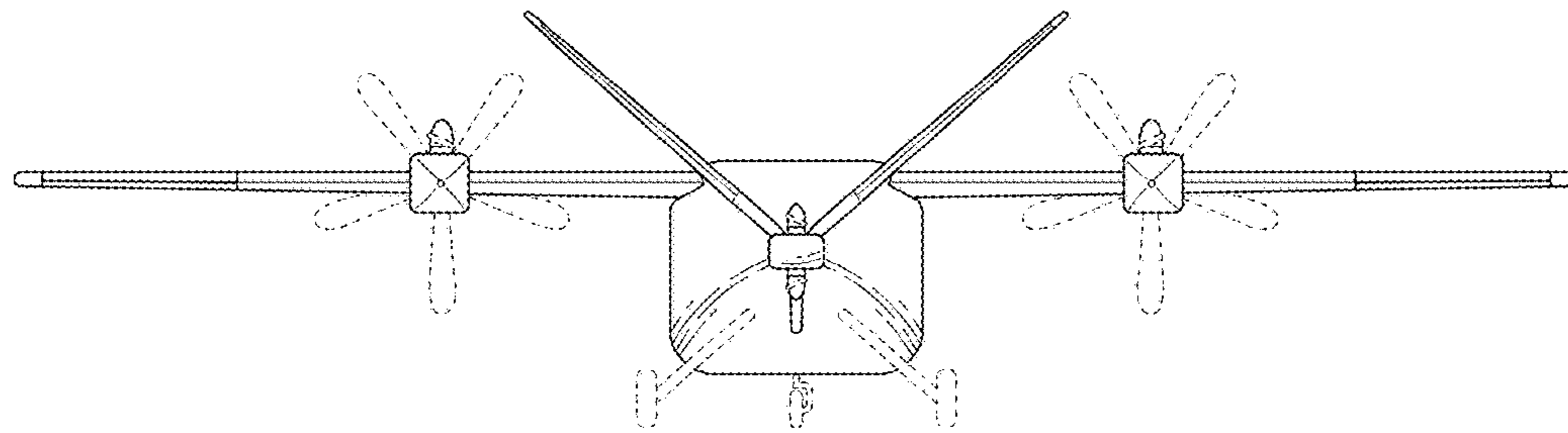


FIG. 7

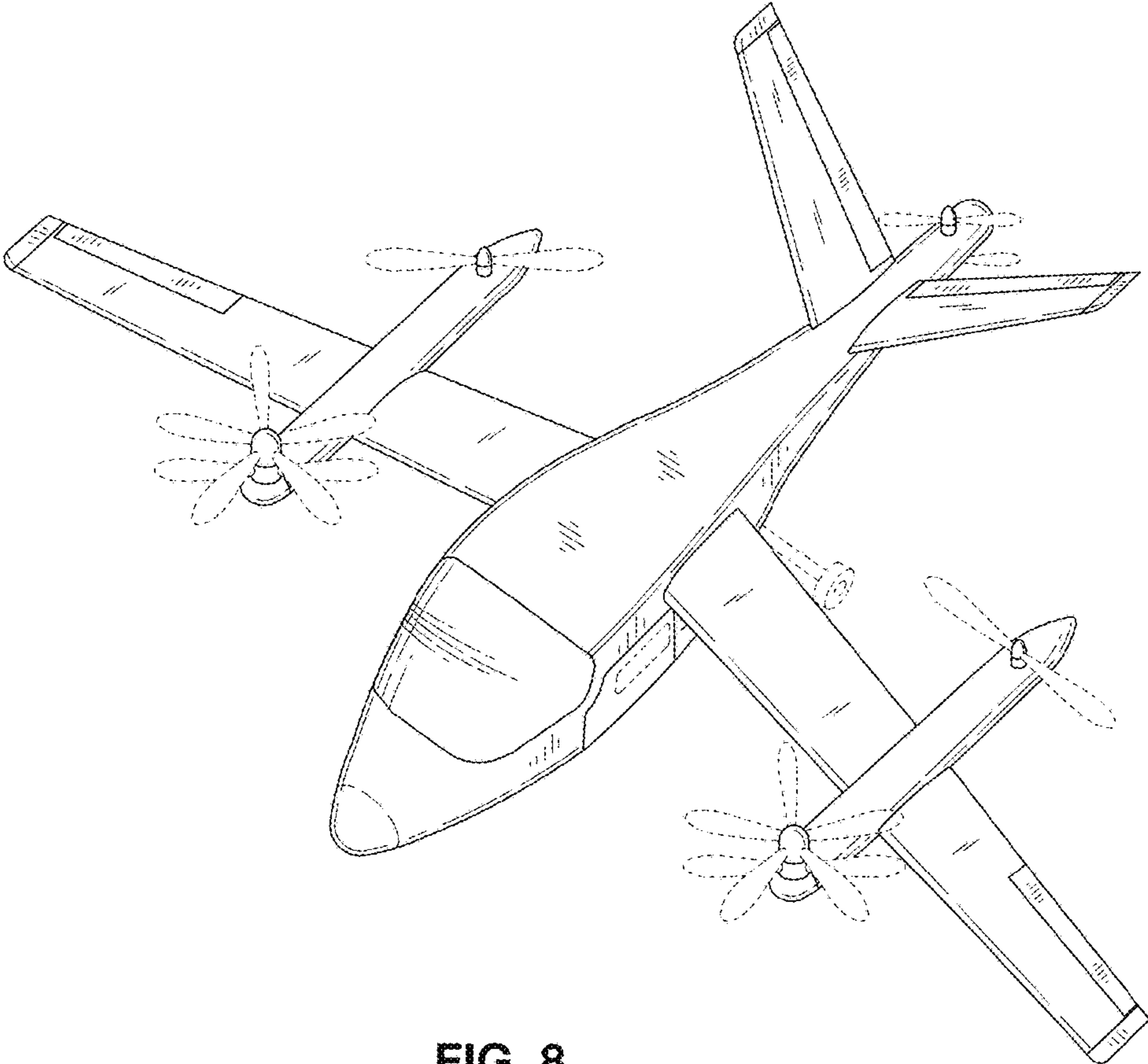
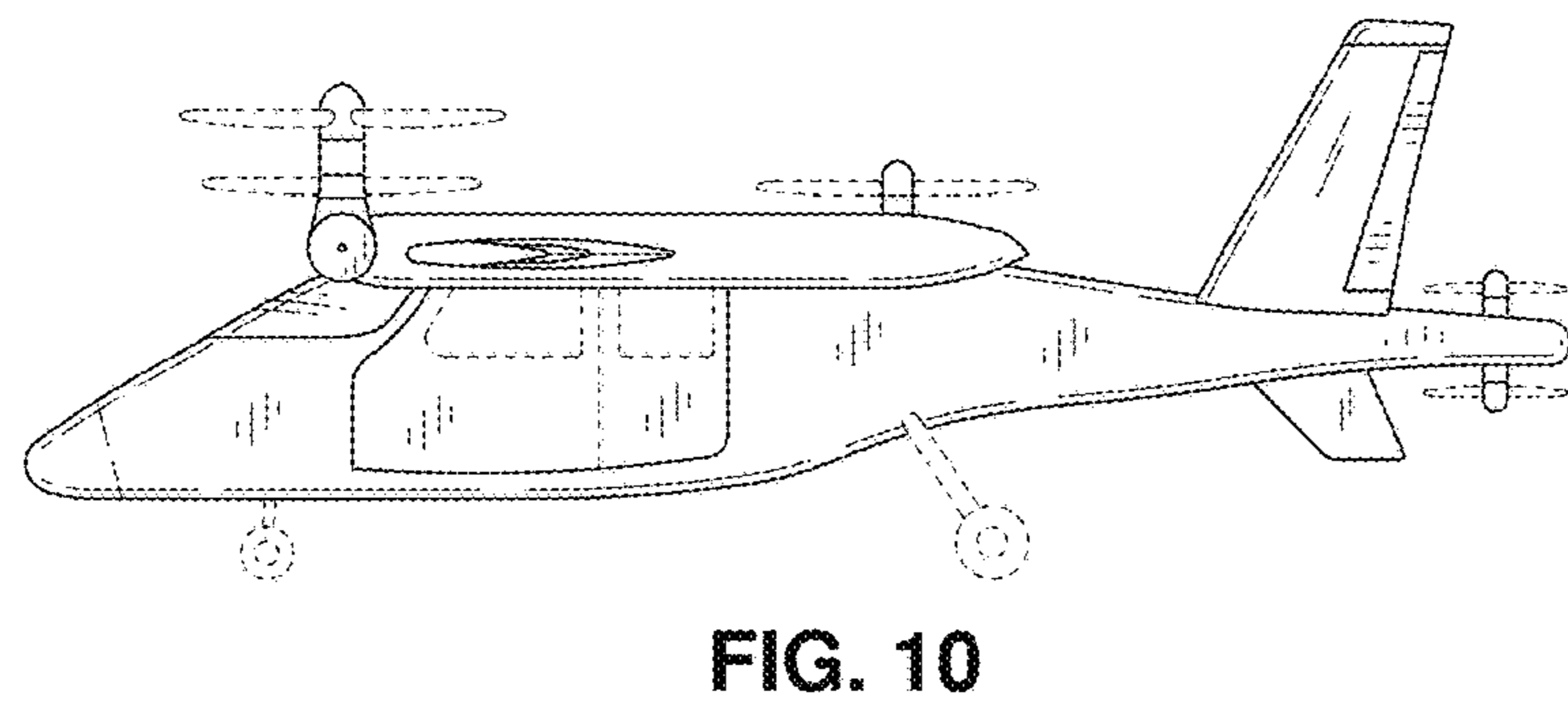
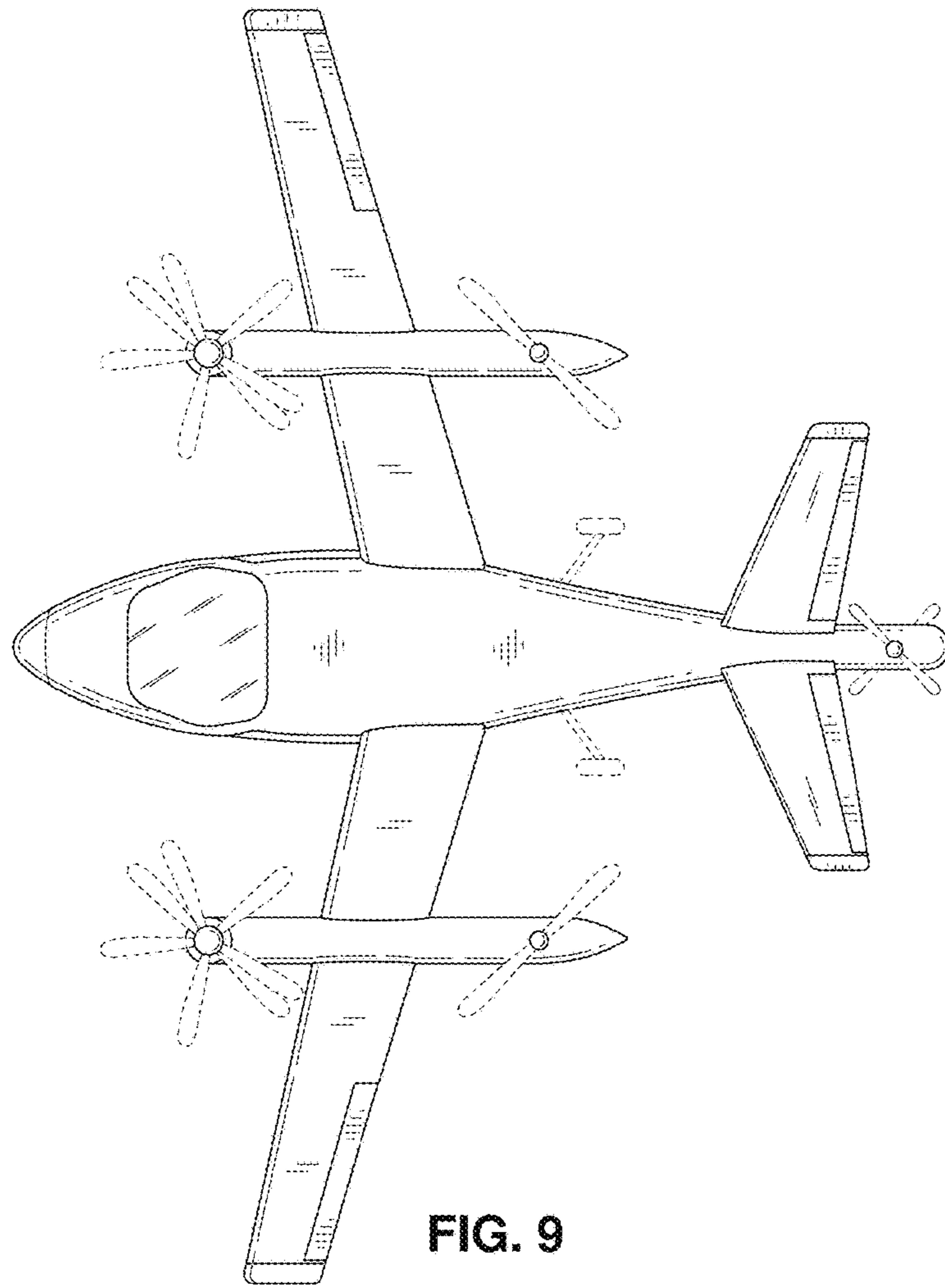


FIG. 8





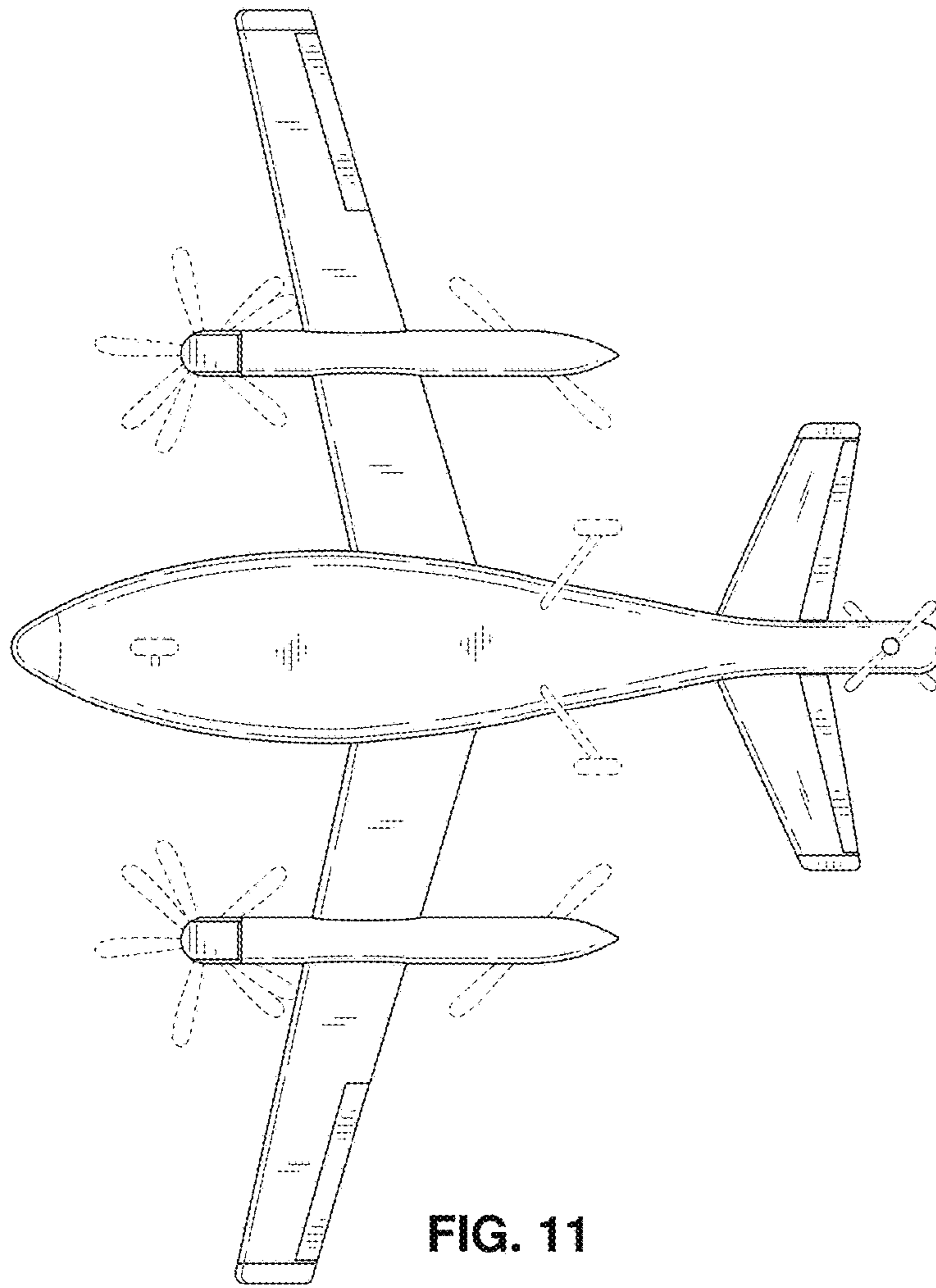


FIG. 11

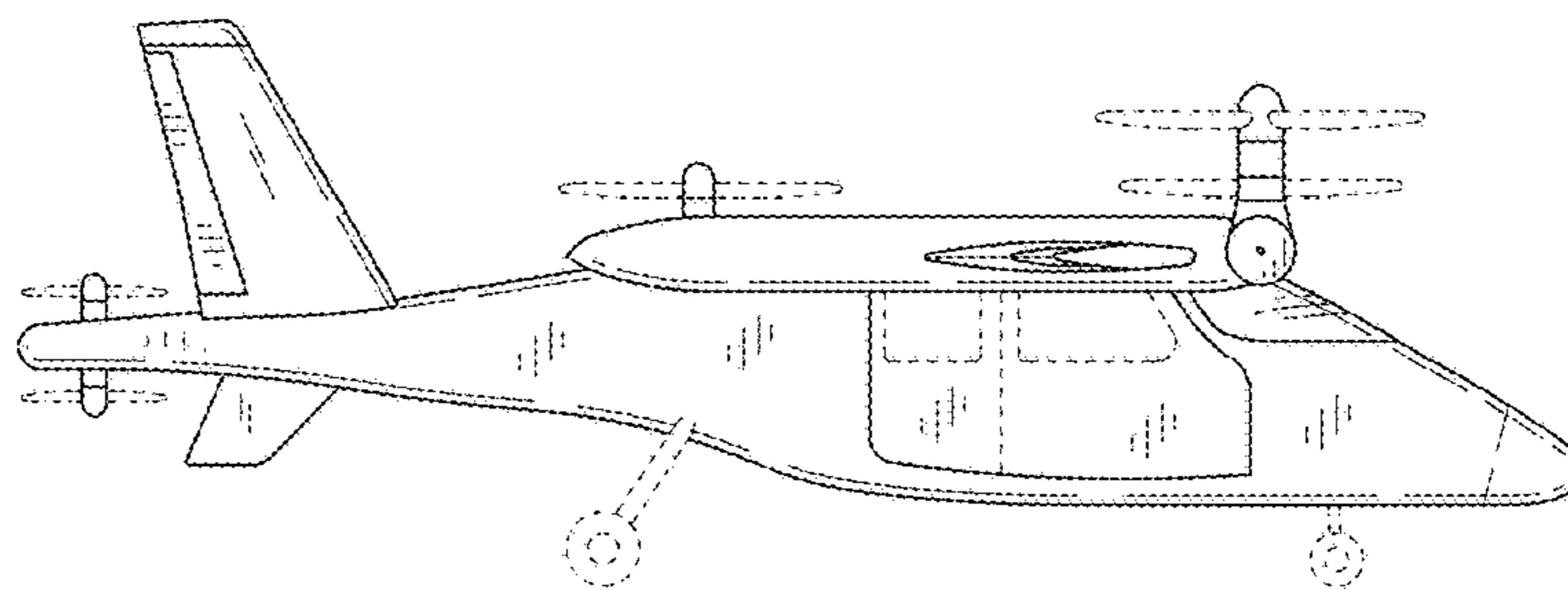


FIG. 12

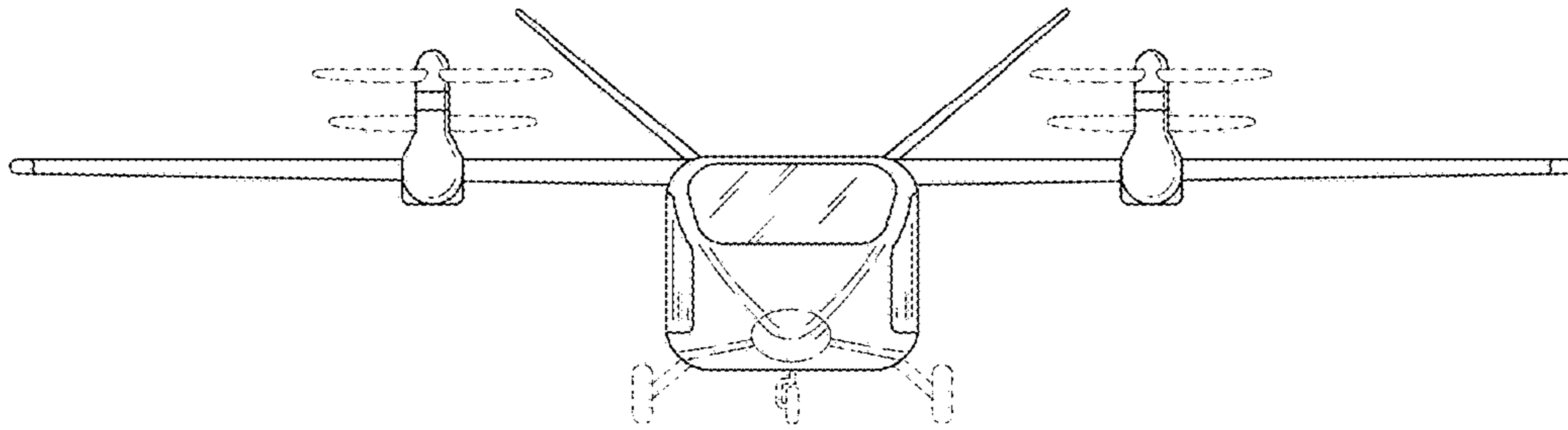


FIG. 13

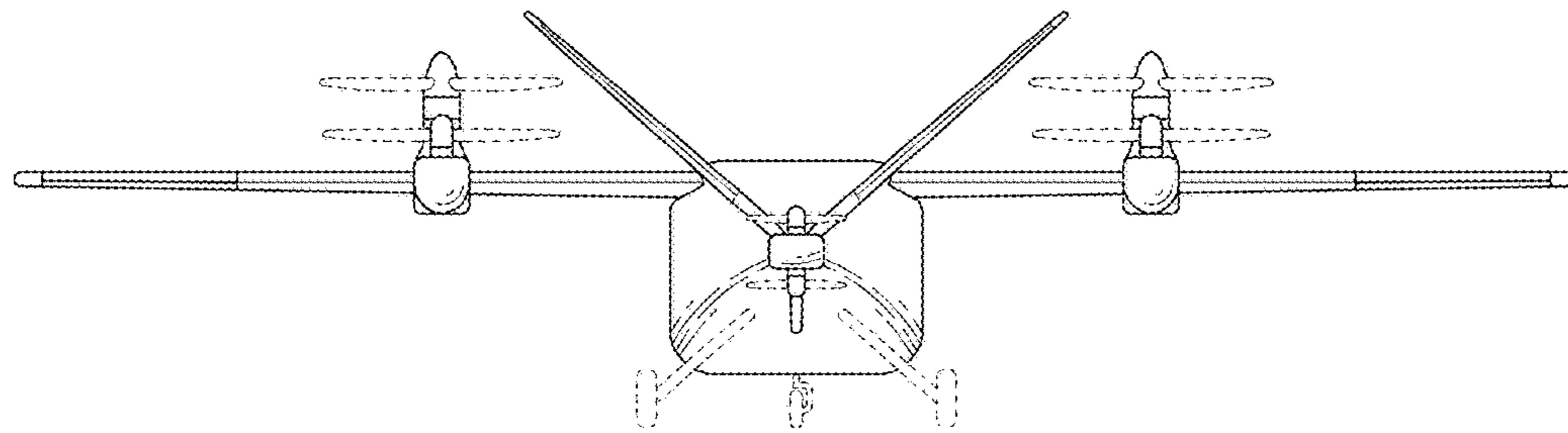


FIG. 14