



US00D850356S

(12) **United States Design Patent**
Roy et al.

(10) **Patent No.:** **US D850,356 S**
(45) **Date of Patent:** **** Jun. 4, 2019**

(54) **DECK BAG FOR KAYAK**

(71) Applicant: **Pelican International Inc.**, Laval (CA)

(72) Inventors: **Jacques-Olivier Roy**, Montreal (CA);
Vanessa Forget, Montreal (CA); **Ivan Brousseau**, Granby (CA); **Julie Bédard**, Montreal (CA); **Amélie Brisson Laperle**, St-Basile-le-Grand (CA)

(73) Assignee: **PELICAN INTERNATIONAL INC.**, Laval (CA)

(**) Term: **15 Years**

(21) Appl. No.: **29/622,144**

(22) Filed: **Oct. 13, 2017**

(51) **LOC (11) Cl.** **12-06**

(52) **U.S. Cl.**
USPC **D12/317**

(58) **Field of Classification Search**
USPC D12/302, 317; D3/354, 260
CPC B63B 35/71; B63B 2035/715
See application file for complete search history.

(56) **References Cited**

U.S. PATENT DOCUMENTS

5,605,112	A *	2/1997	Schuman	B63C 13/00
					114/343
6,401,648	B1 *	6/2002	Abbenhouse	B63B 19/14
					114/347
6,681,968	B2 *	1/2004	Zwagerman	A45F 3/15
					114/347
7,032,531	B1 *	4/2006	Caples	B63B 19/14
					114/347
D597,922	S *	8/2009	Davis	D12/317
D634,255	S *	3/2011	Farber	D12/302
D734,027	S *	7/2015	Noble	D3/254

D734,028	S *	7/2015	Noble	D3/254
2004/0079273	A1 *	4/2004	Godek	A45C 11/20
					114/347
2008/0098945	A1 *	5/2008	Weber	B63B 35/71
					114/347

* cited by examiner

Primary Examiner — Cynthia M. Chin
(74) *Attorney, Agent, or Firm* — Wolf, Greenfield & Sacks, P.C.

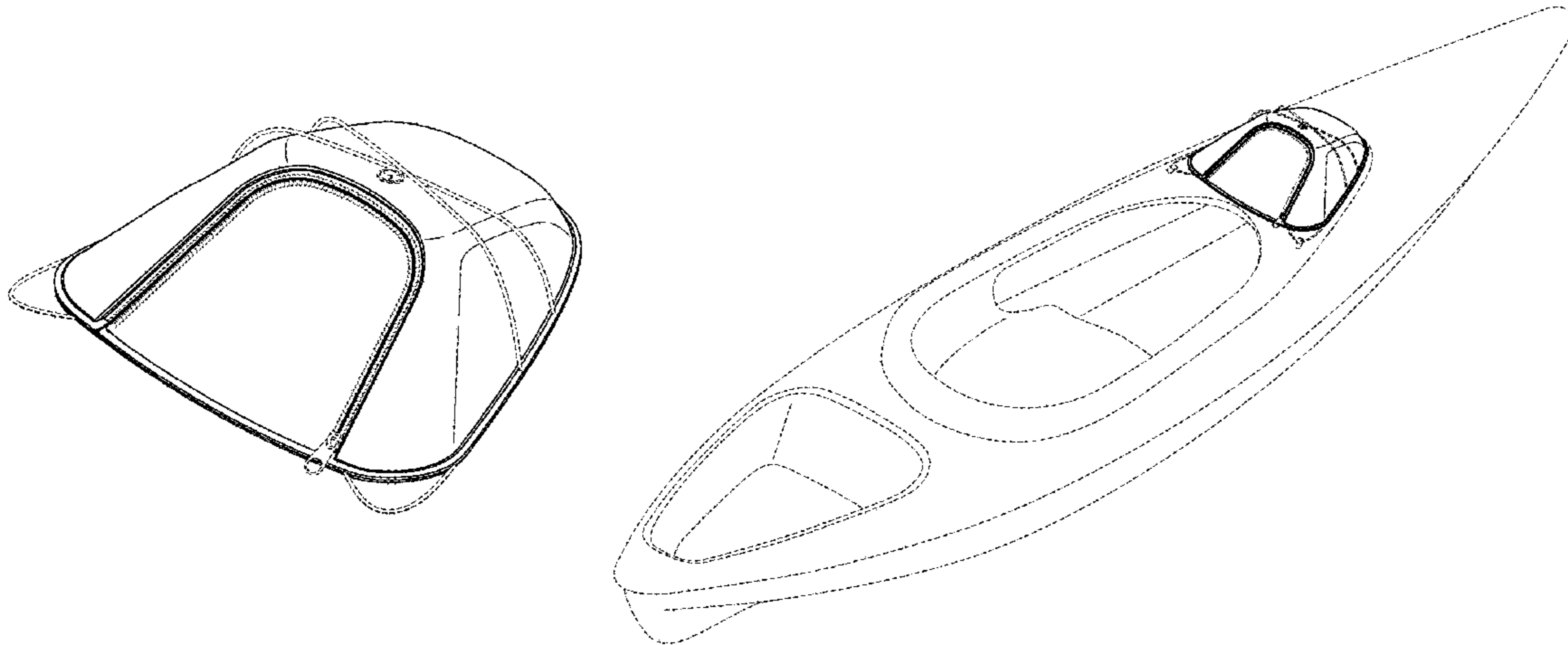
(57) **CLAIM**

We claim the ornamental design for a deck bag for kayak, as shown and described.

DESCRIPTION

FIG. 1 is a front-right perspective view of a deck bag for kayak according to an embodiment of the design;
 FIG. 2 is a front elevation view of the deck bag for kayak of FIG. 1;
 FIG. 3 is a rear elevation view of the deck bag for kayak of FIG. 1;
 FIG. 4 is a right side elevation view of the deck bag for kayak of FIG. 1;
 FIG. 5 is a left side elevation view of the deck bag for kayak of FIG. 1;
 FIG. 6 is a top plan view of the deck bag for kayak of FIG. 1;
 FIG. 7 is a bottom plan view of the deck bag of FIG. 1;
 FIG. 8 is a perspective view of the deck bag for kayak of FIG. 1 shown in an open position; and,
 FIG. 9 is a perspective view of deck bag for kayak of FIG. 1 shown mounted on a kayak to illustrate a typical environment in which it would be used.
 The broken lines shown in FIGS. 1-9 are included for the purpose of illustrating portions of the deck bag which form no part of the claimed design. The broken-lined kayak in FIG. 9 represents an example of the article in use and forms no part of the claimed design.

1 Claim, 6 Drawing Sheets



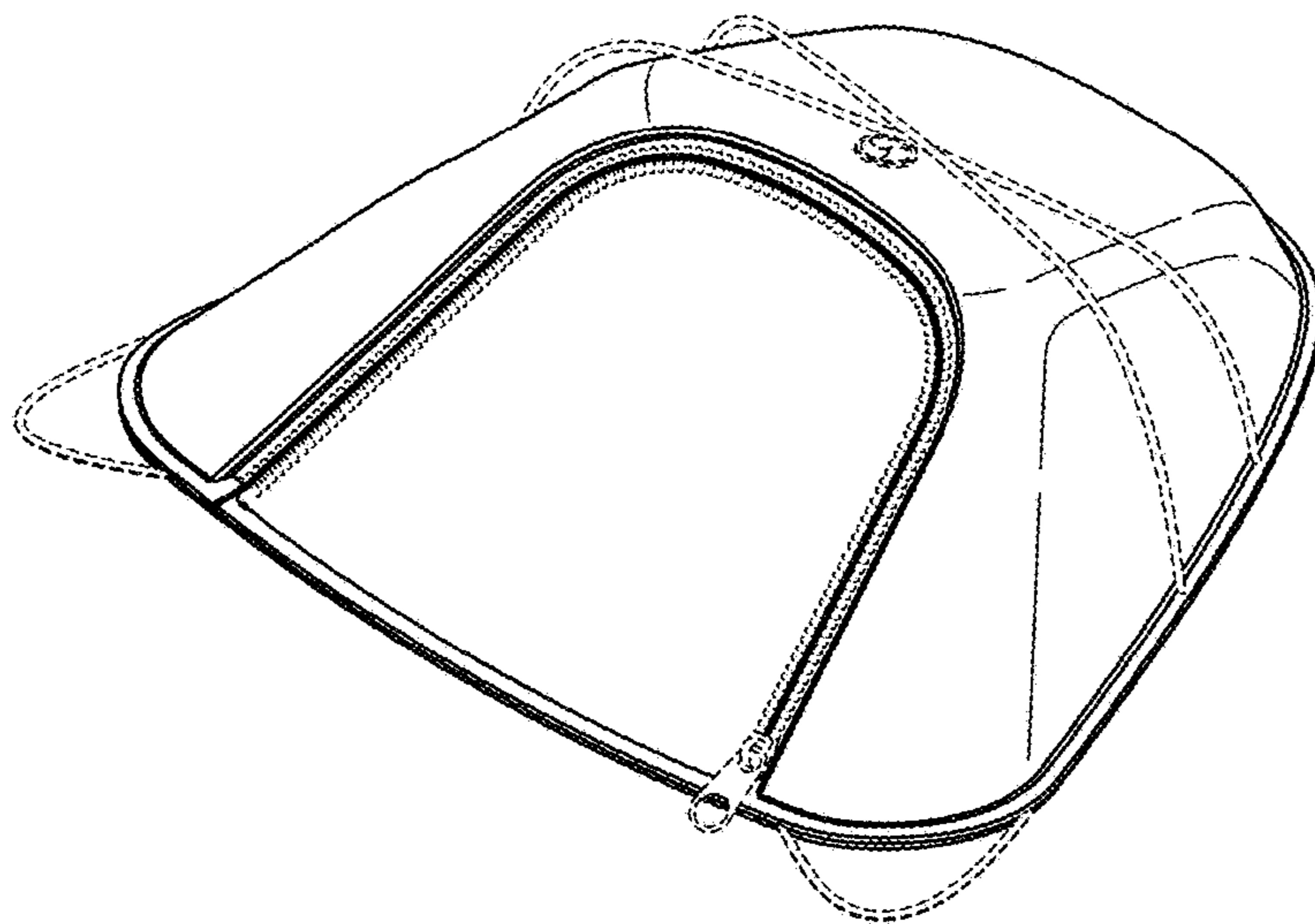


FIG. 1

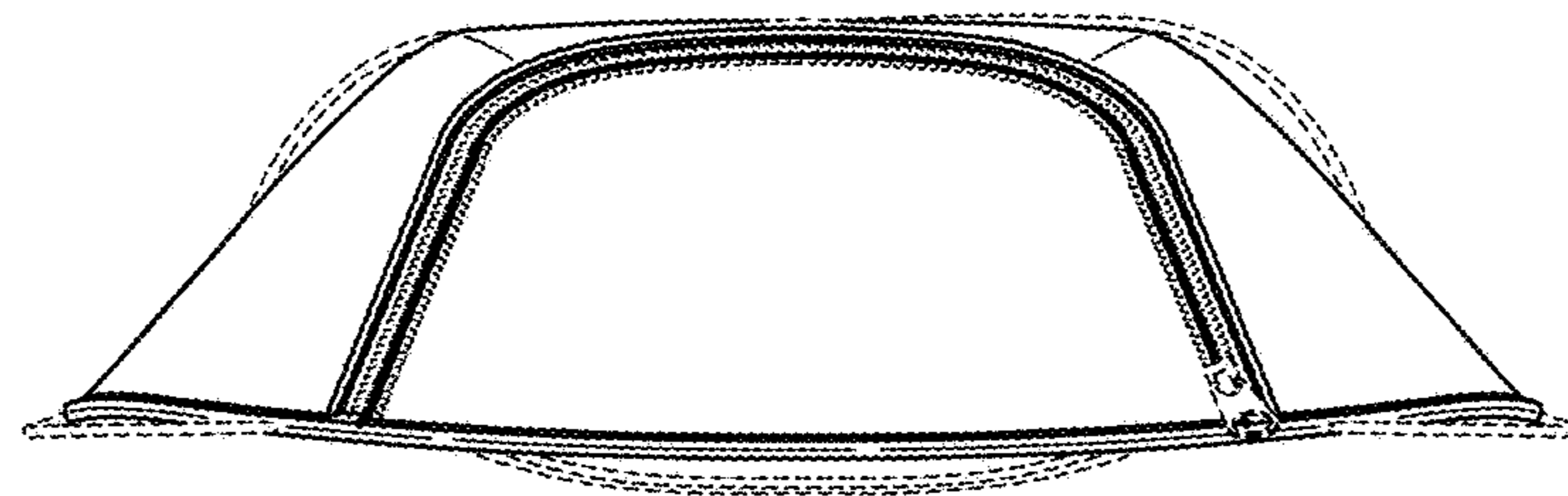


FIG. 2

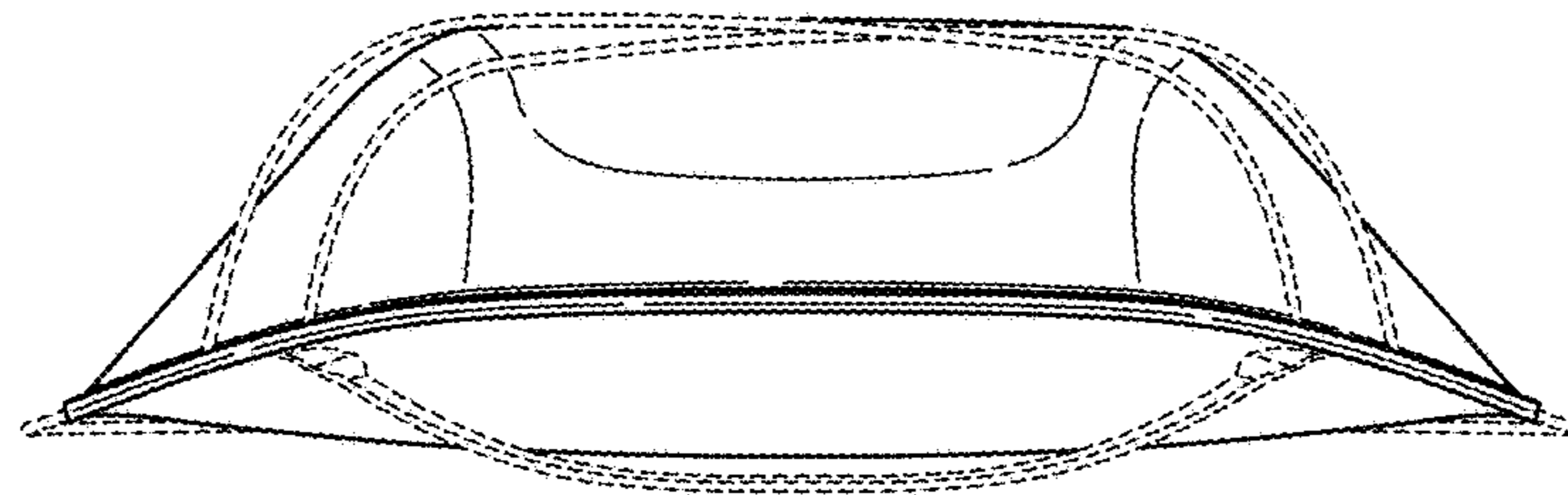


FIG. 3

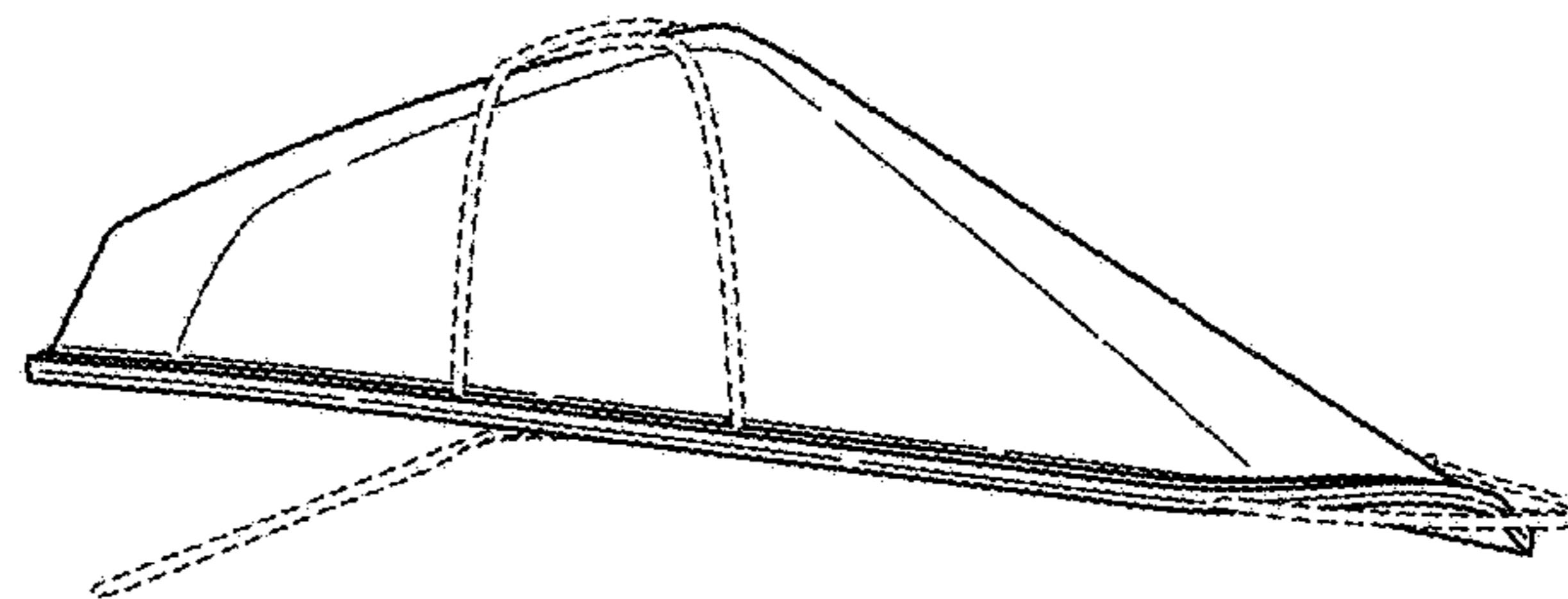


FIG. 4

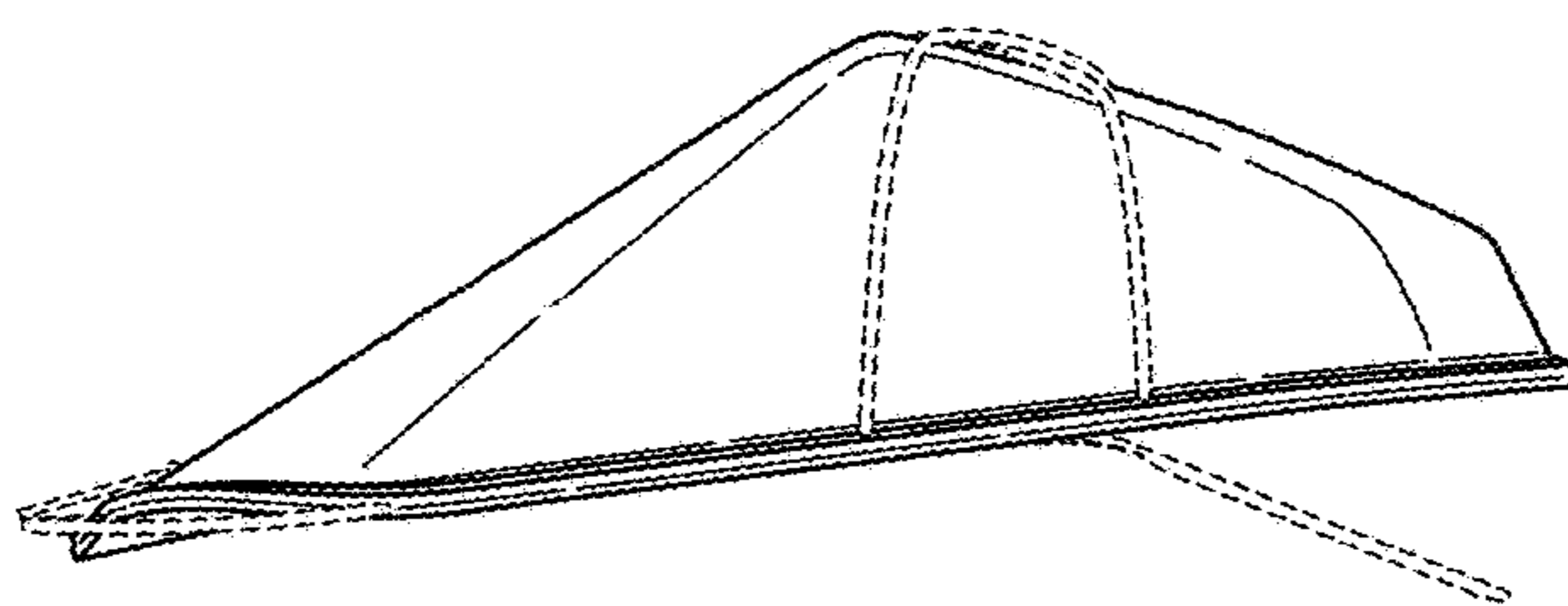


FIG. 5

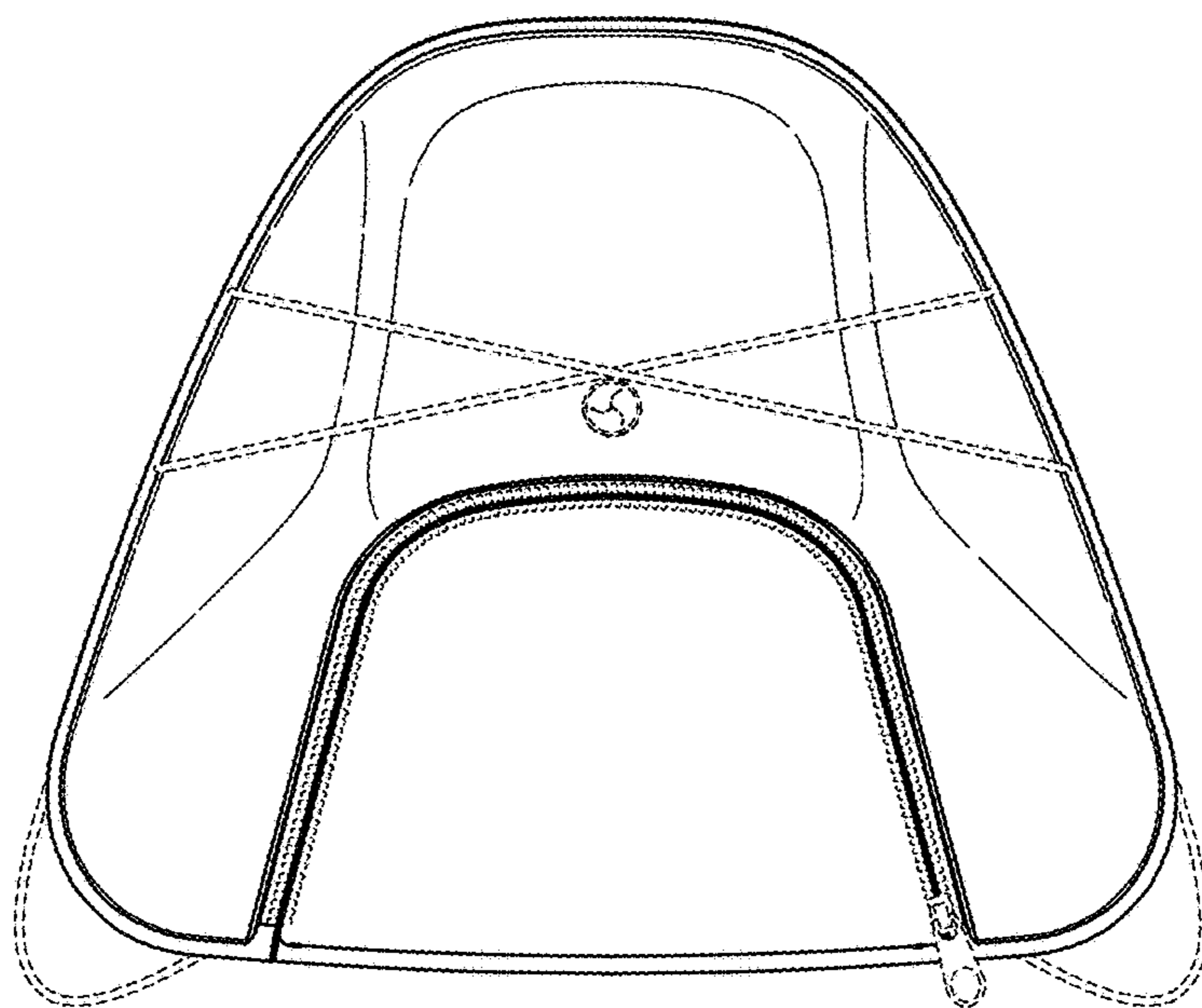


FIG. 6

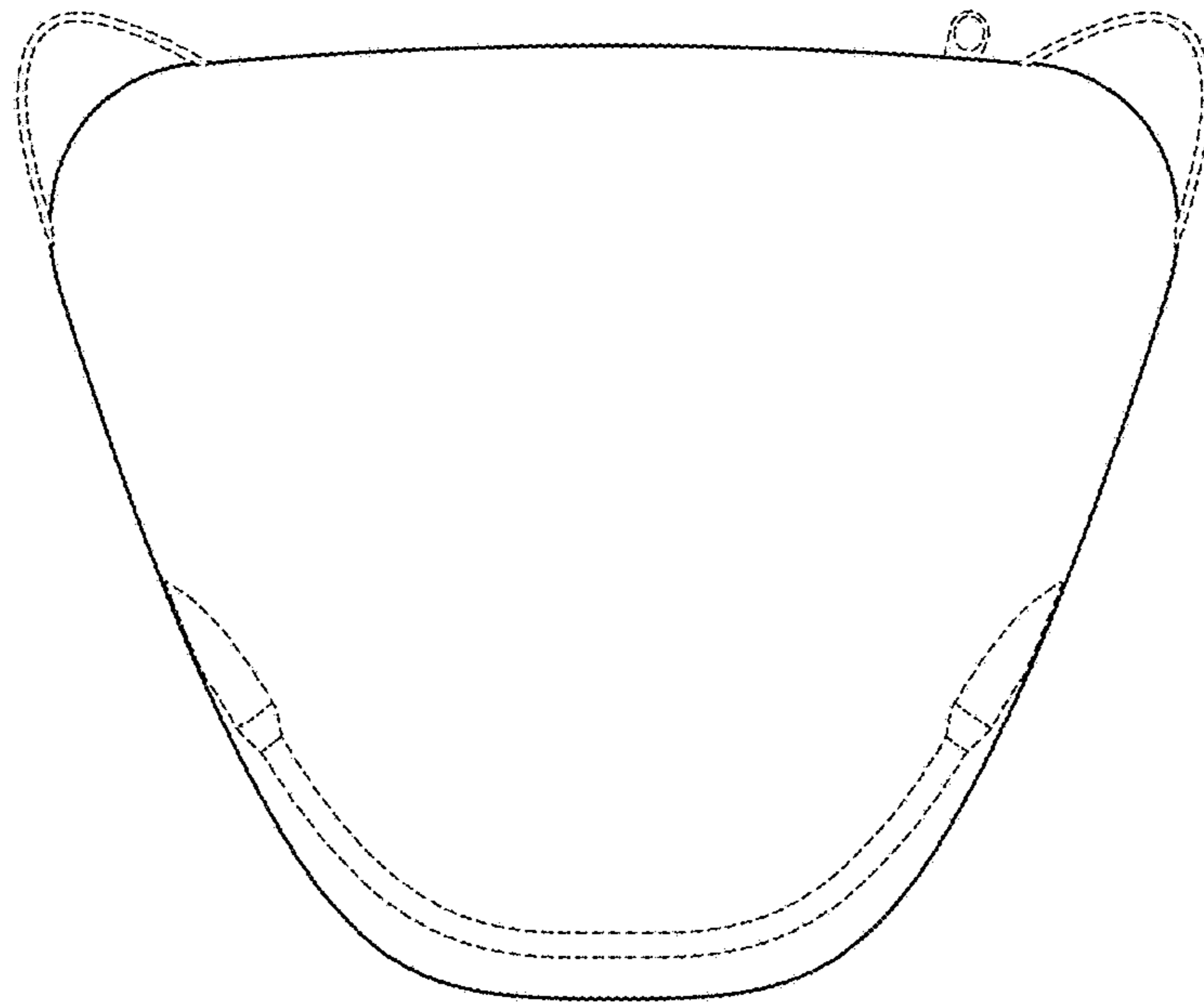


FIG. 7

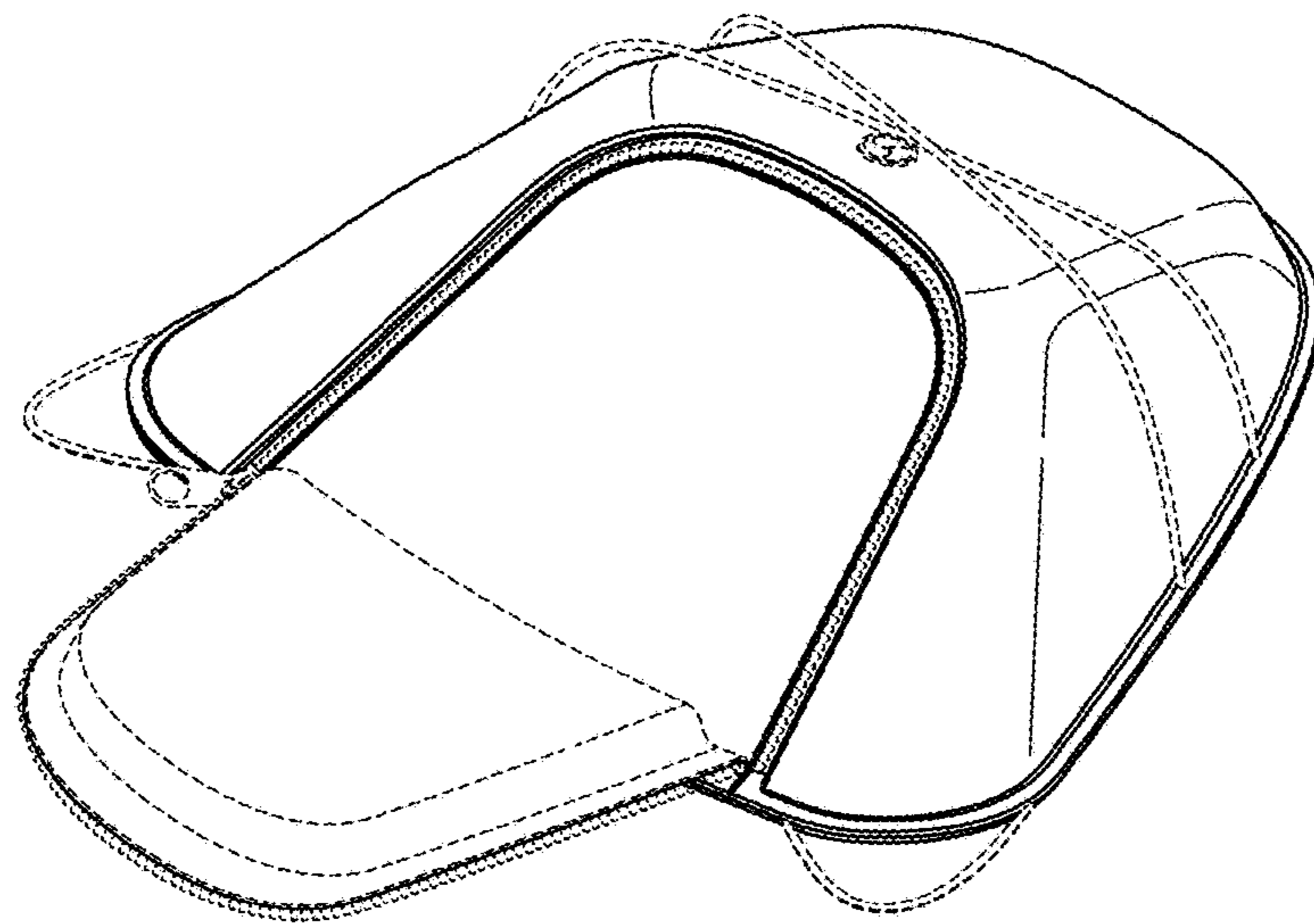


FIG. 8

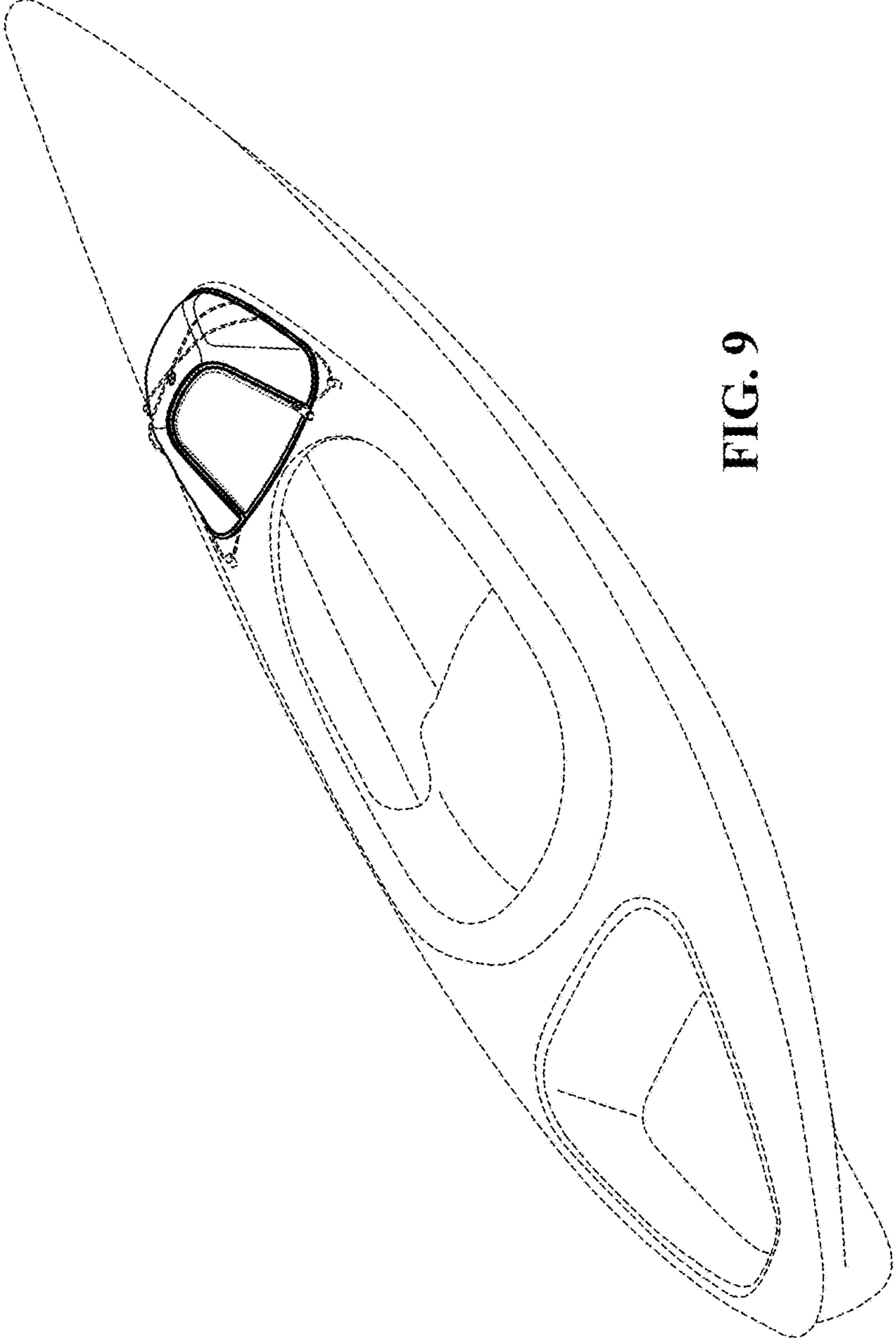


FIG. 9