



US00D850355S

(12) **United States Design Patent**  
**Lammerts**

(10) **Patent No.:** **US D850,355 S**  
(45) **Date of Patent:** **\*\* Jun. 4, 2019**

- (54) **VEHICLE FLOATATION APPARATUS**
- (71) Applicant: **Peter Hans Lammerts**, Mission (CA)
- (72) Inventor: **Peter Hans Lammerts**, Mission (CA)
- (\*\*) Term: **15 Years**
- (21) Appl. No.: **29/628,960**
- (22) Filed: **Dec. 8, 2017**
- (51) **LOC (11) Cl.** ..... **12-06**
- (52) **U.S. Cl.**  
USPC ..... **D12/316; D12/1; D12/317**
- (58) **Field of Classification Search**  
USPC ..... **D12/1, 2, 3, 300, 304, 316, 317**  
CPC ..... **B60F 3/00; B60F 3/0061; B60F 3/0069;**  
**B63C 13/00**  
See application file for complete search history.

(56) **References Cited**

**U.S. PATENT DOCUMENTS**

3,741,146	A *	6/1973	Durrell, Jr.	.....	B60F 3/00 440/12.53
4,048,685	A *	9/1977	Gail	.....	B60F 3/0092 114/344
4,691,657	A *	9/1987	Kovac	.....	B60F 3/0092 114/344
4,802,433	A *	2/1989	Kovac	.....	B60F 3/0092 114/344
5,315,950	A *	5/1994	Abel	.....	B60F 3/0038 114/151
6,029,598	A *	2/2000	Stoll	.....	B63B 1/14 114/344

6,640,737	B2 *	11/2003	Chacon	.....	B63B 1/121 114/354
6,840,825	B1 *	1/2005	Messano	.....	B60F 3/0007 114/290
8,454,399	B1 *	6/2013	Zelechonok	.....	B60F 3/0069 440/12.51

\* cited by examiner

*Primary Examiner* — Cynthia M. Chin  
(74) *Attorney, Agent, or Firm* — Oyen Wiggs Green & Mutala LLP

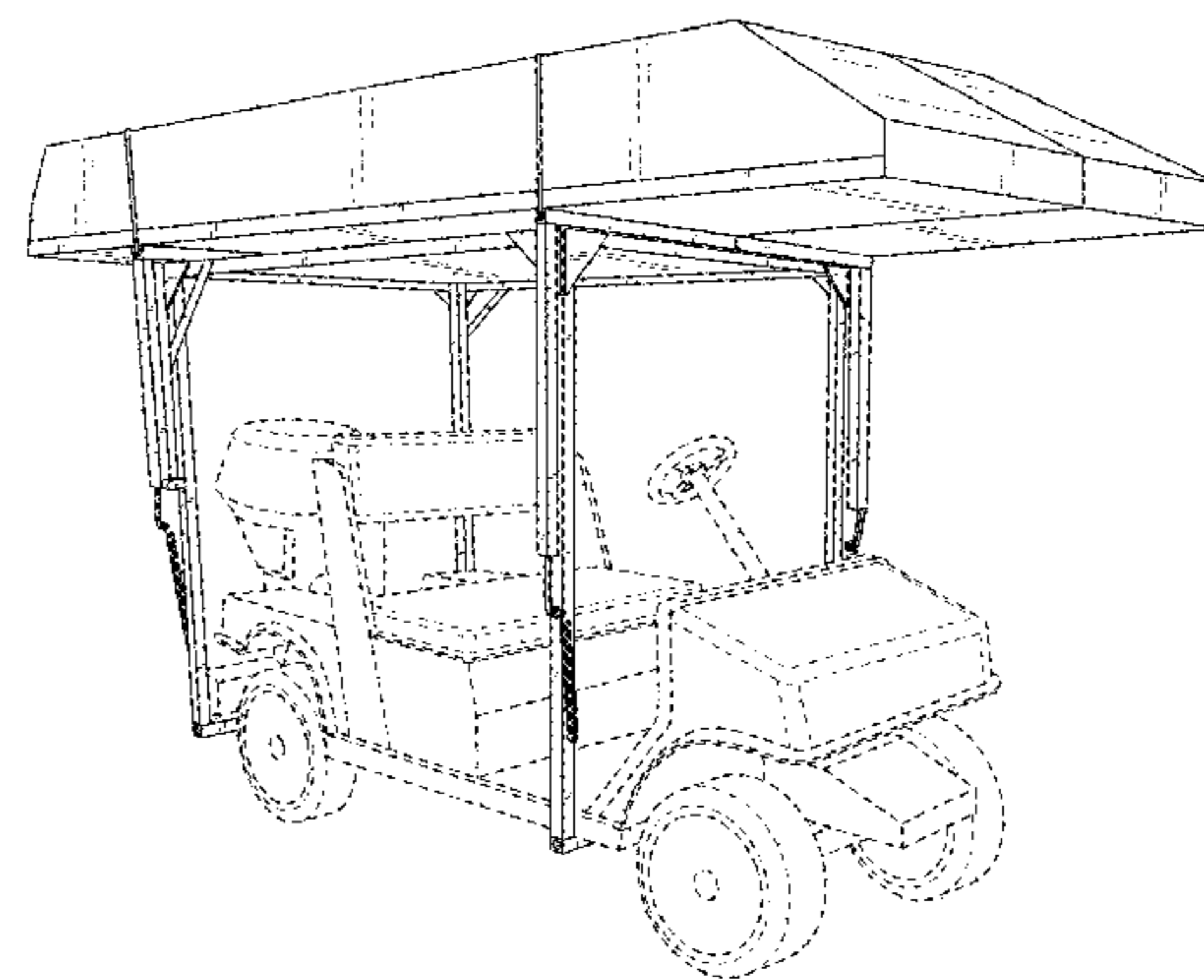
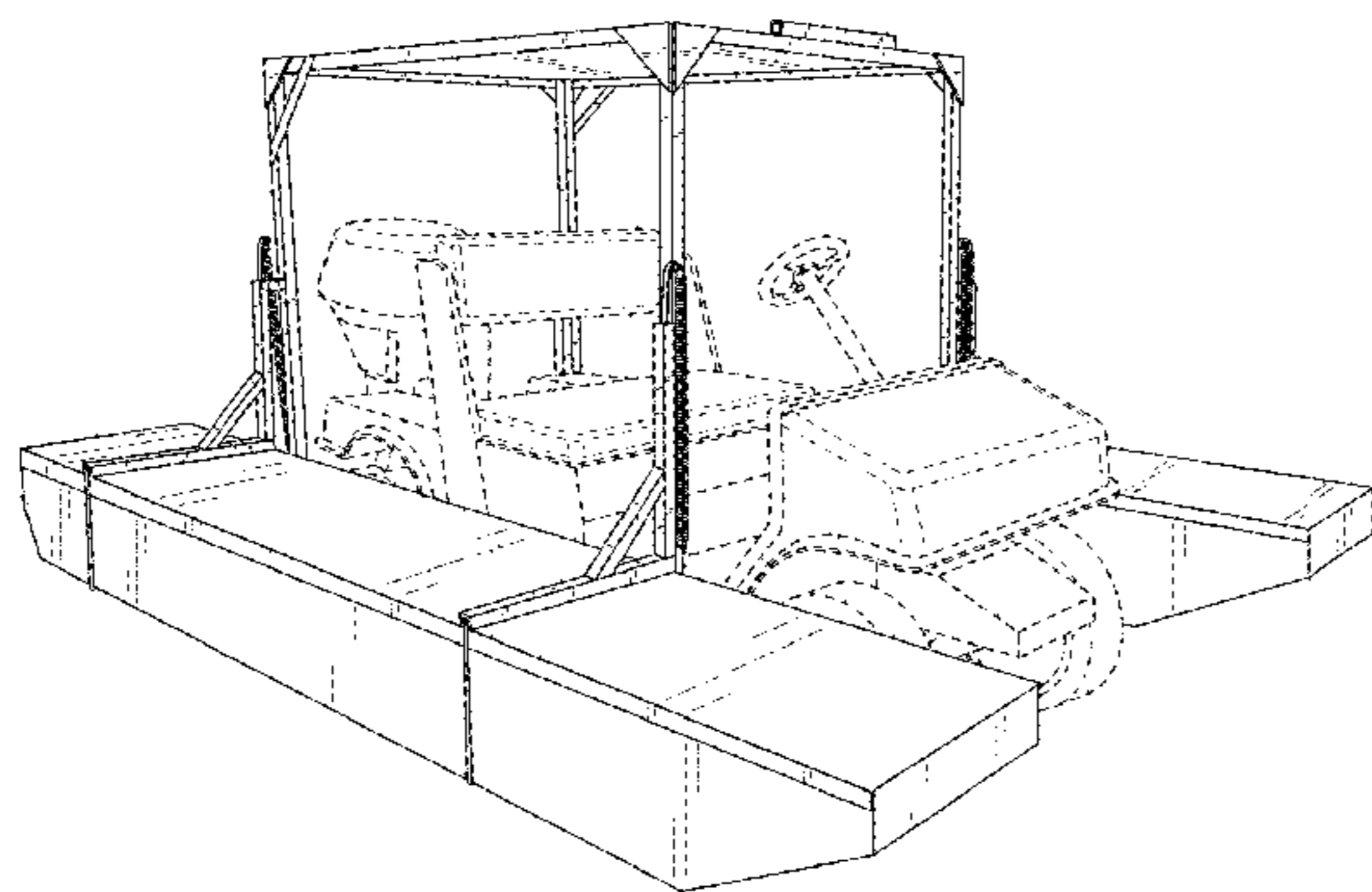
(57) **CLAIM**

The ornamental design for a vehicle floatation apparatus, as shown and described.

**DESCRIPTION**

FIG. 1 is a front perspective view in a deployed configuration of the vehicle floatation apparatus;  
 FIG. 2 is a front view in a deployed configuration thereof;  
 FIG. 3 is a back view in a deployed configuration thereof;  
 FIG. 4 is a right side view in a deployed configuration thereof;  
 FIG. 5 is a left side view in a deployed configuration thereof;  
 FIG. 6 is a top view in a deployed configuration thereof;  
 FIG. 7 is a bottom view in a deployed configuration; and,  
 FIG. 8 is a front perspective view in a stowed configuration thereof.  
 Portions of the vehicle floatation apparatus shown in broken lines are of possible environment for illustrative purposes only, and forms no part of the claimed design.

**1 Claim, 8 Drawing Sheets**



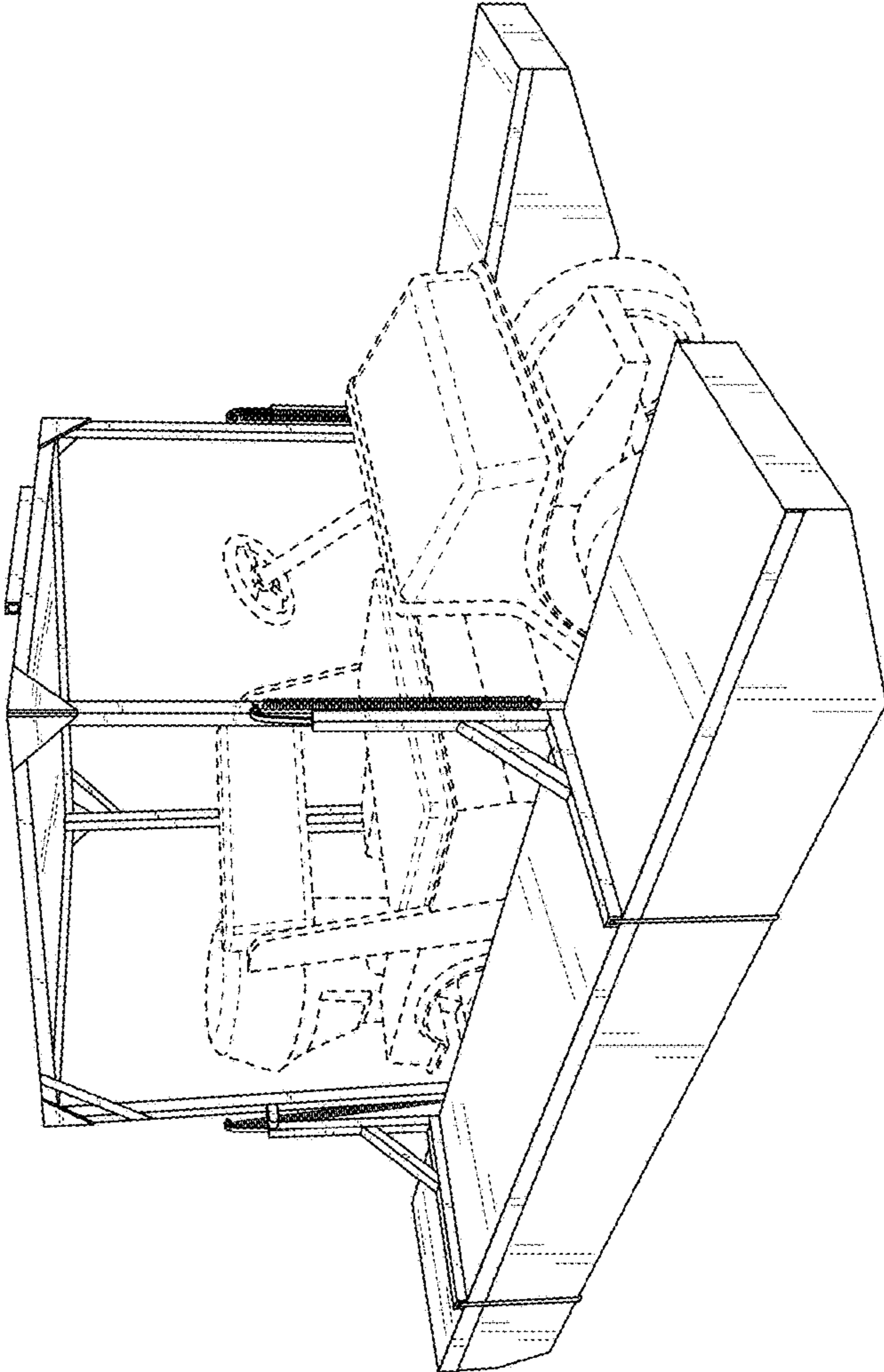


FIG. 1

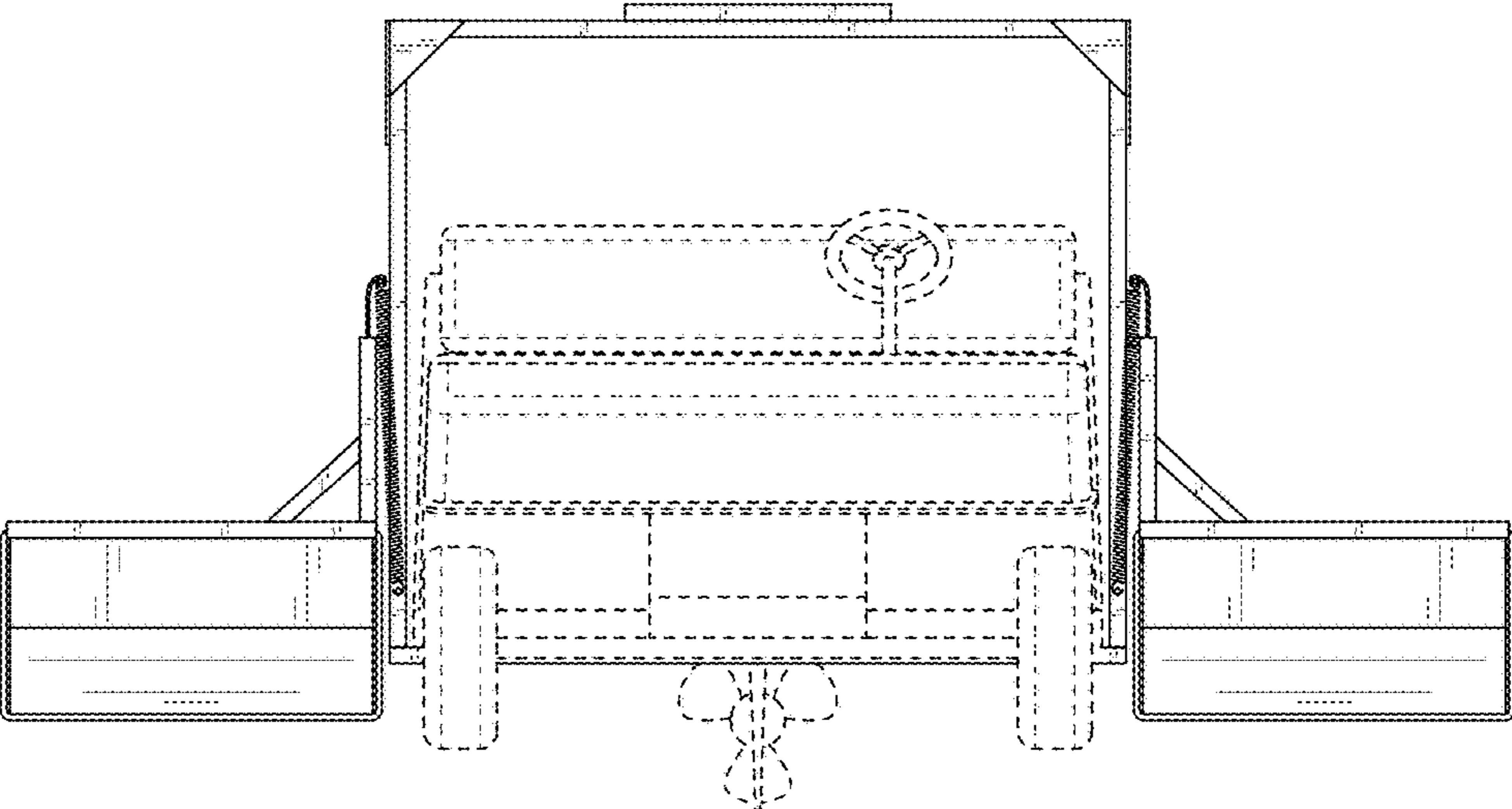


FIG. 2

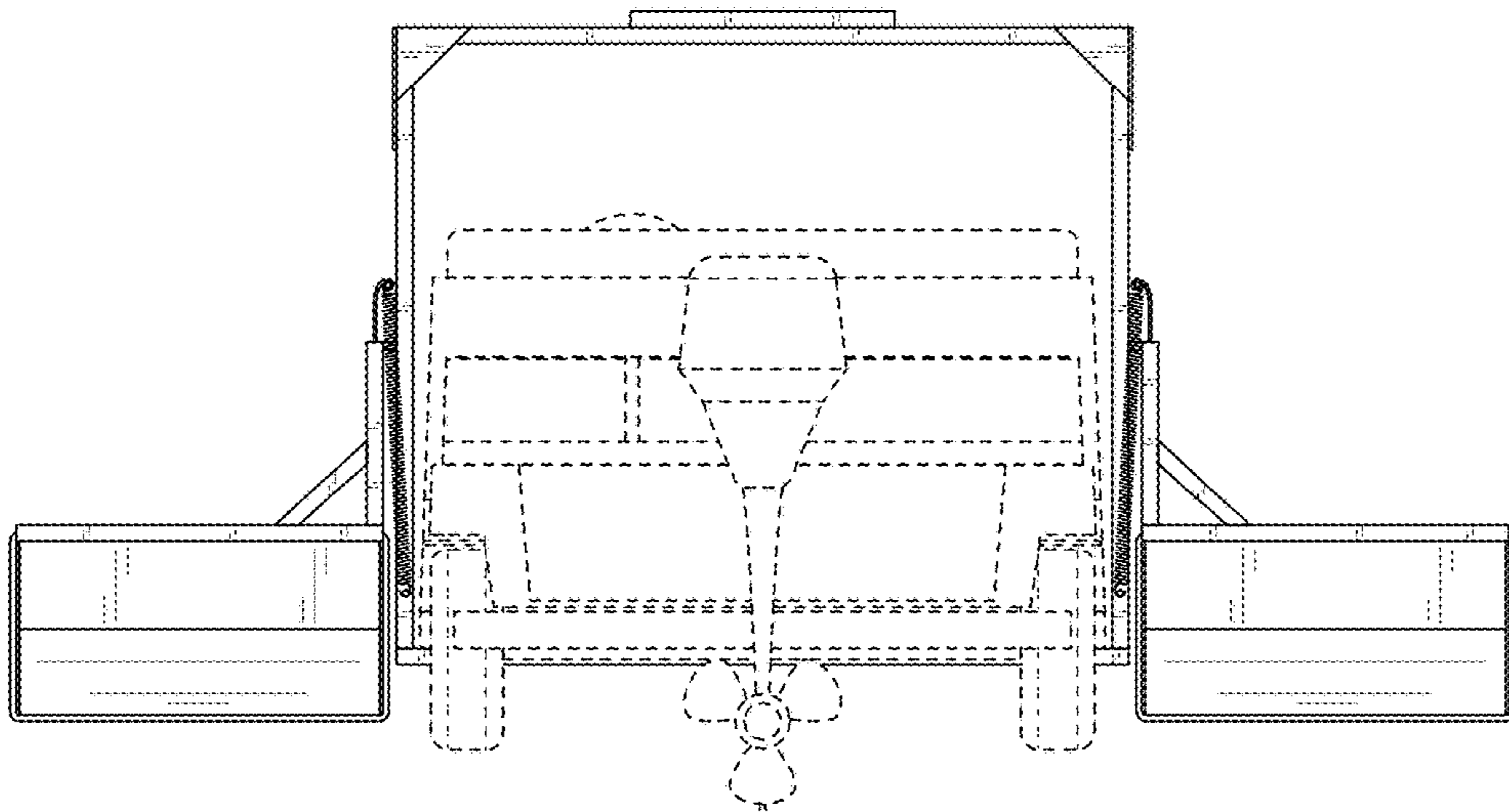


FIG. 3

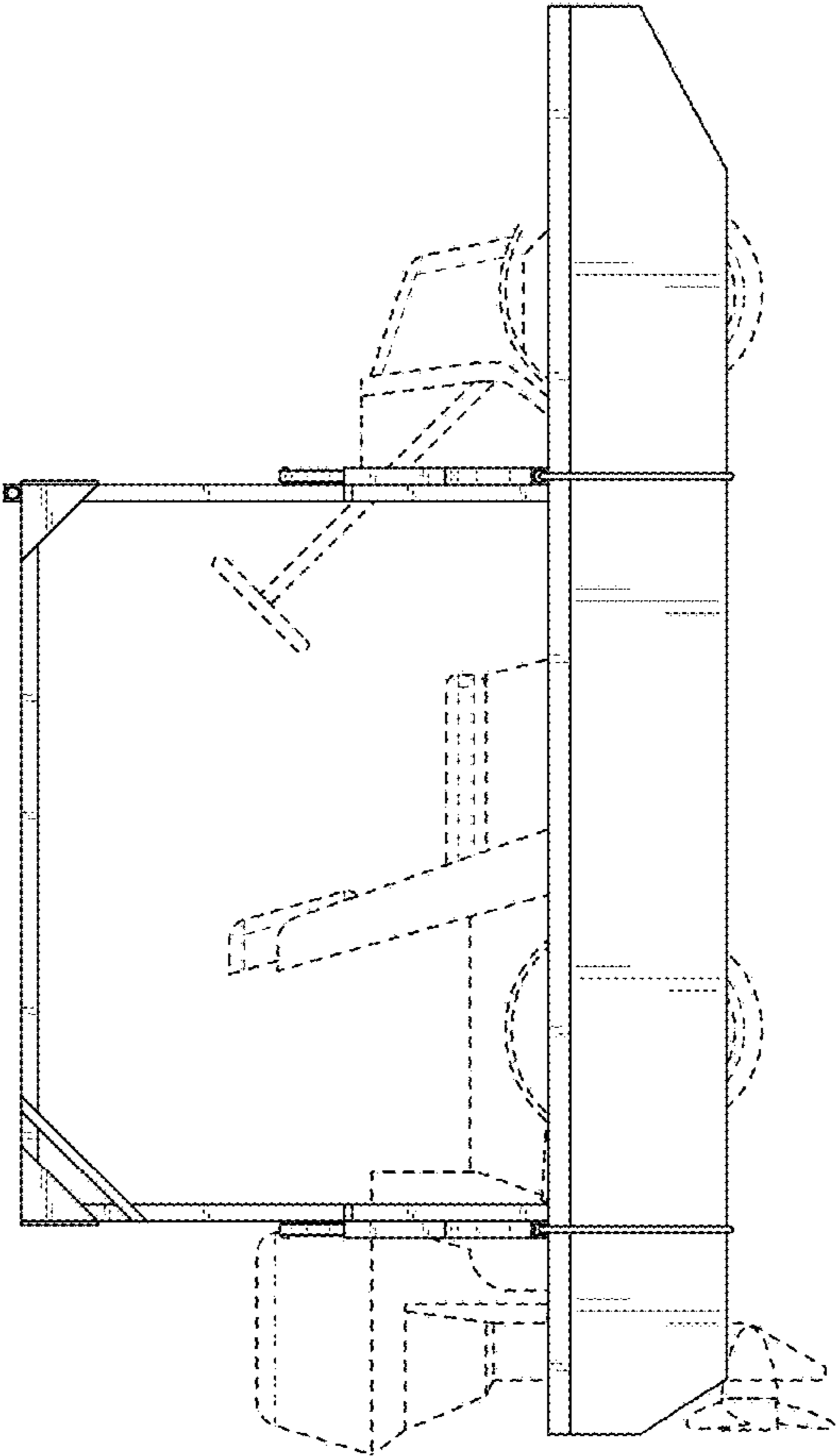


FIG. 4

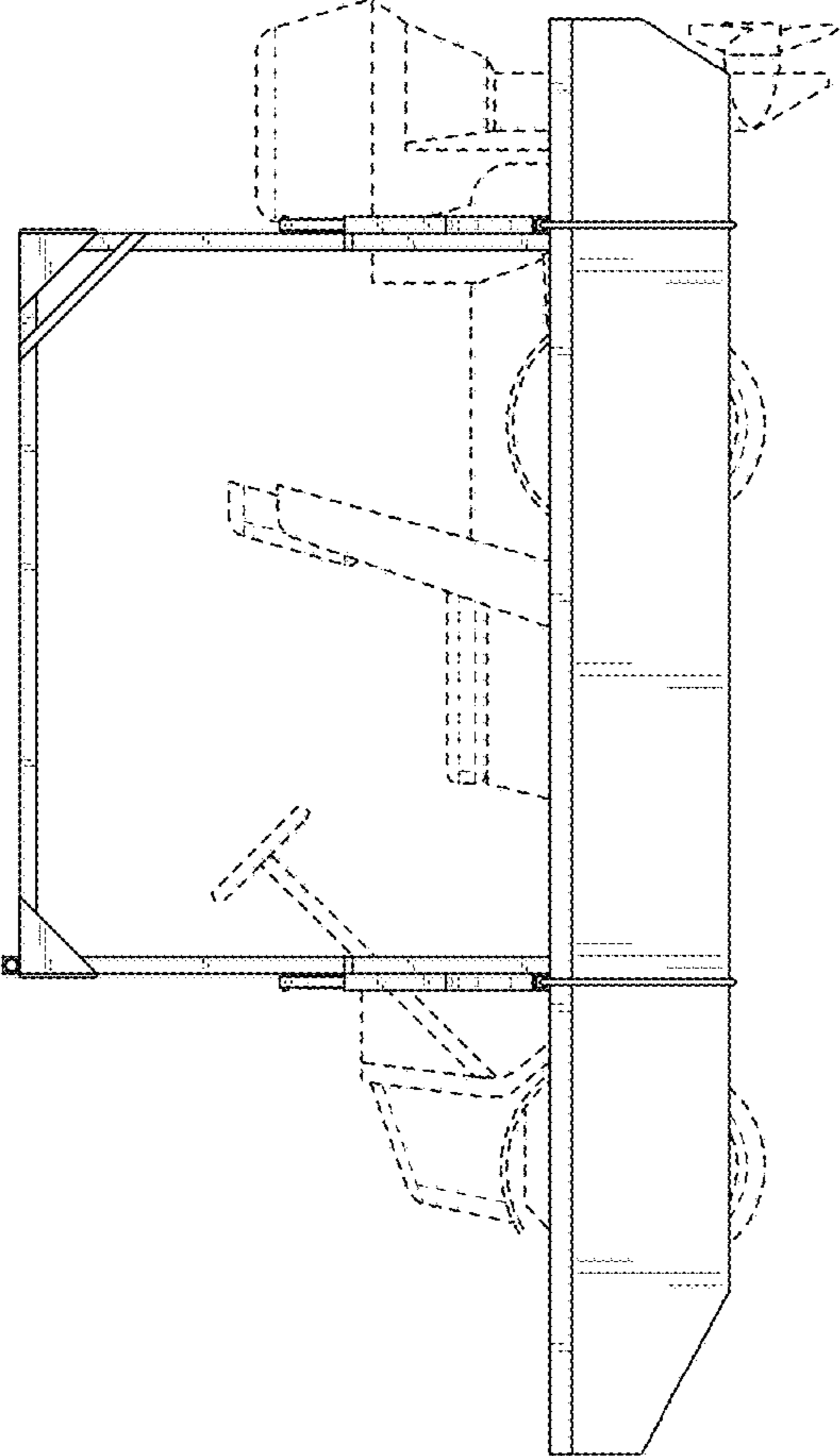


FIG. 5

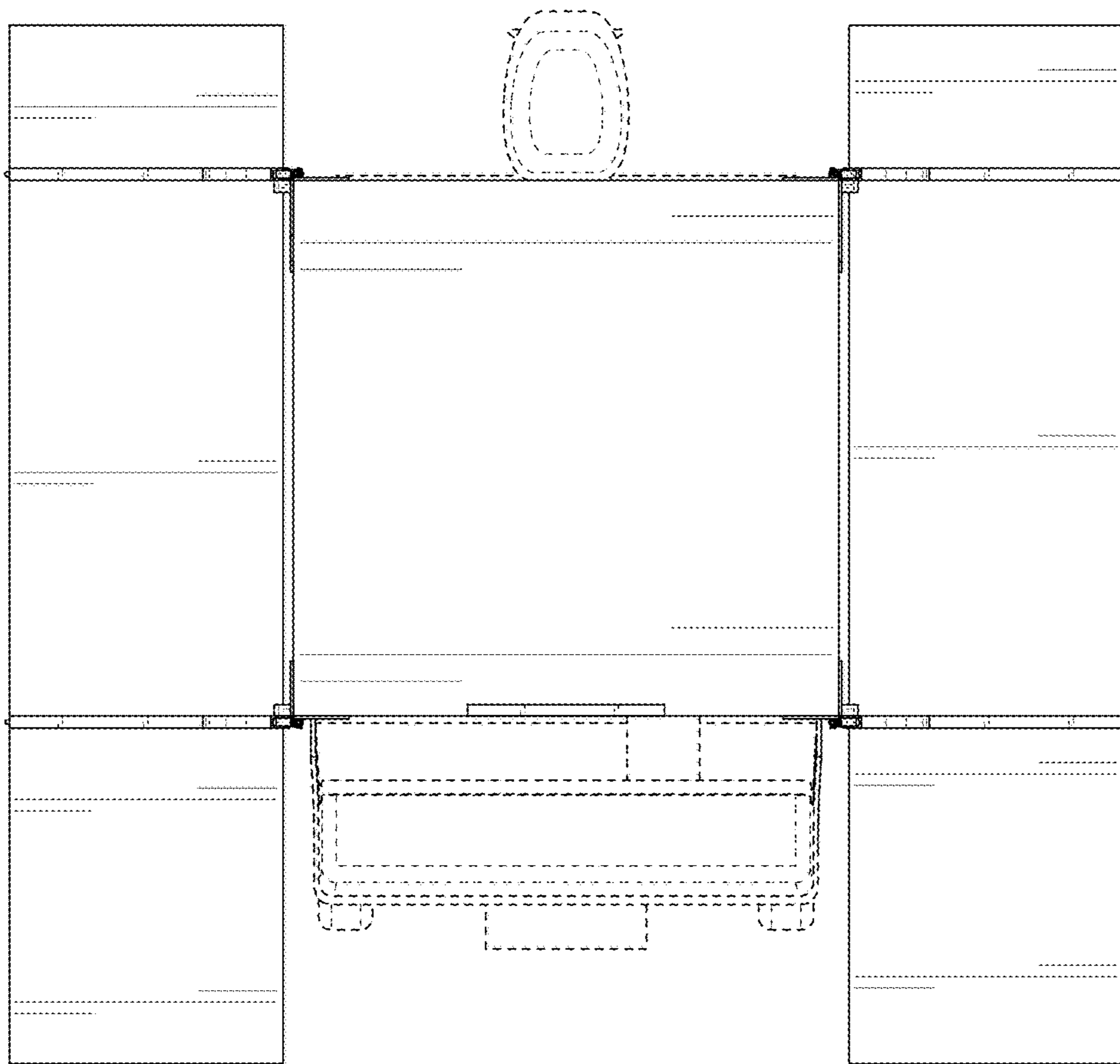


FIG. 6

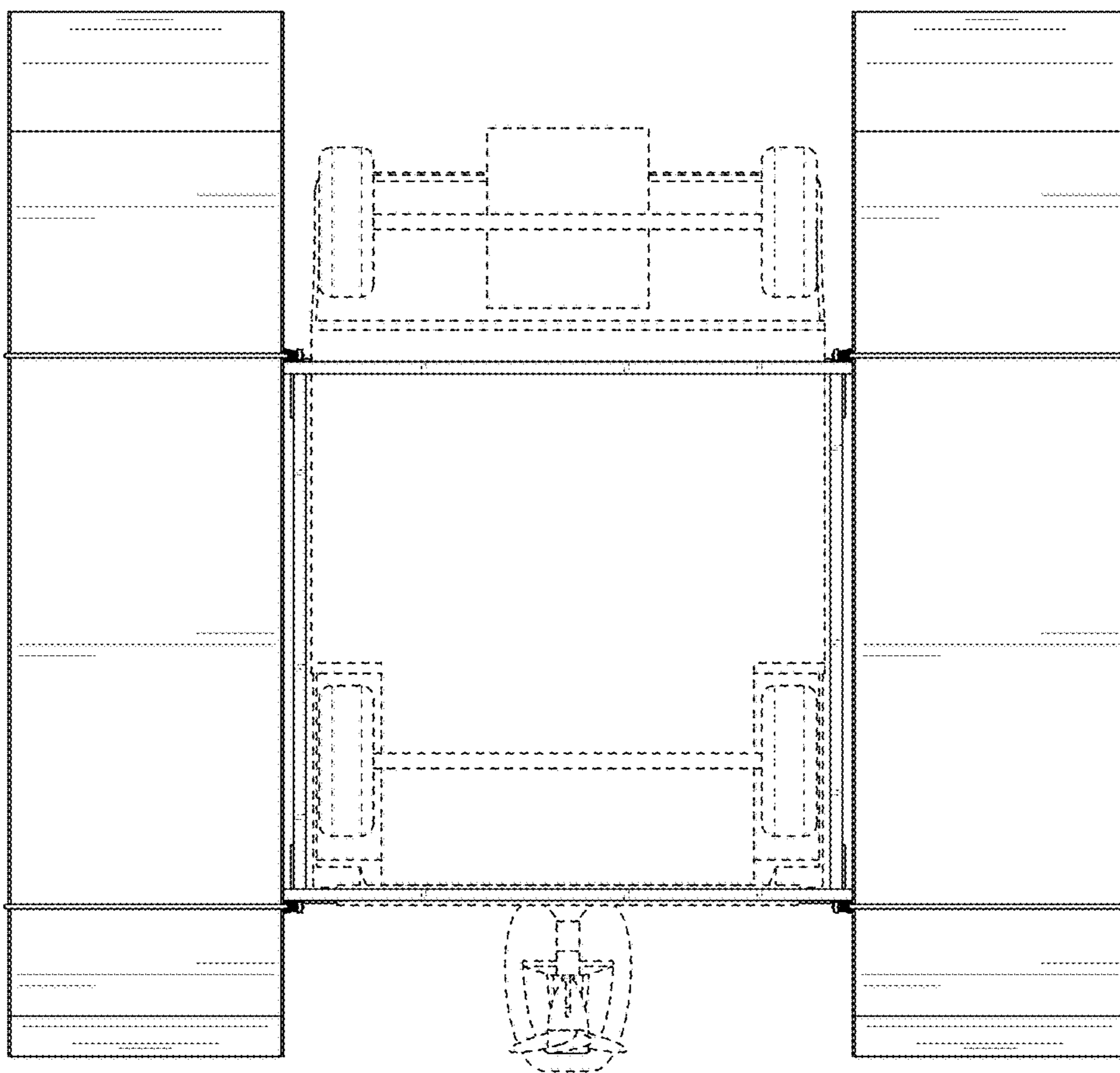


FIG. 7



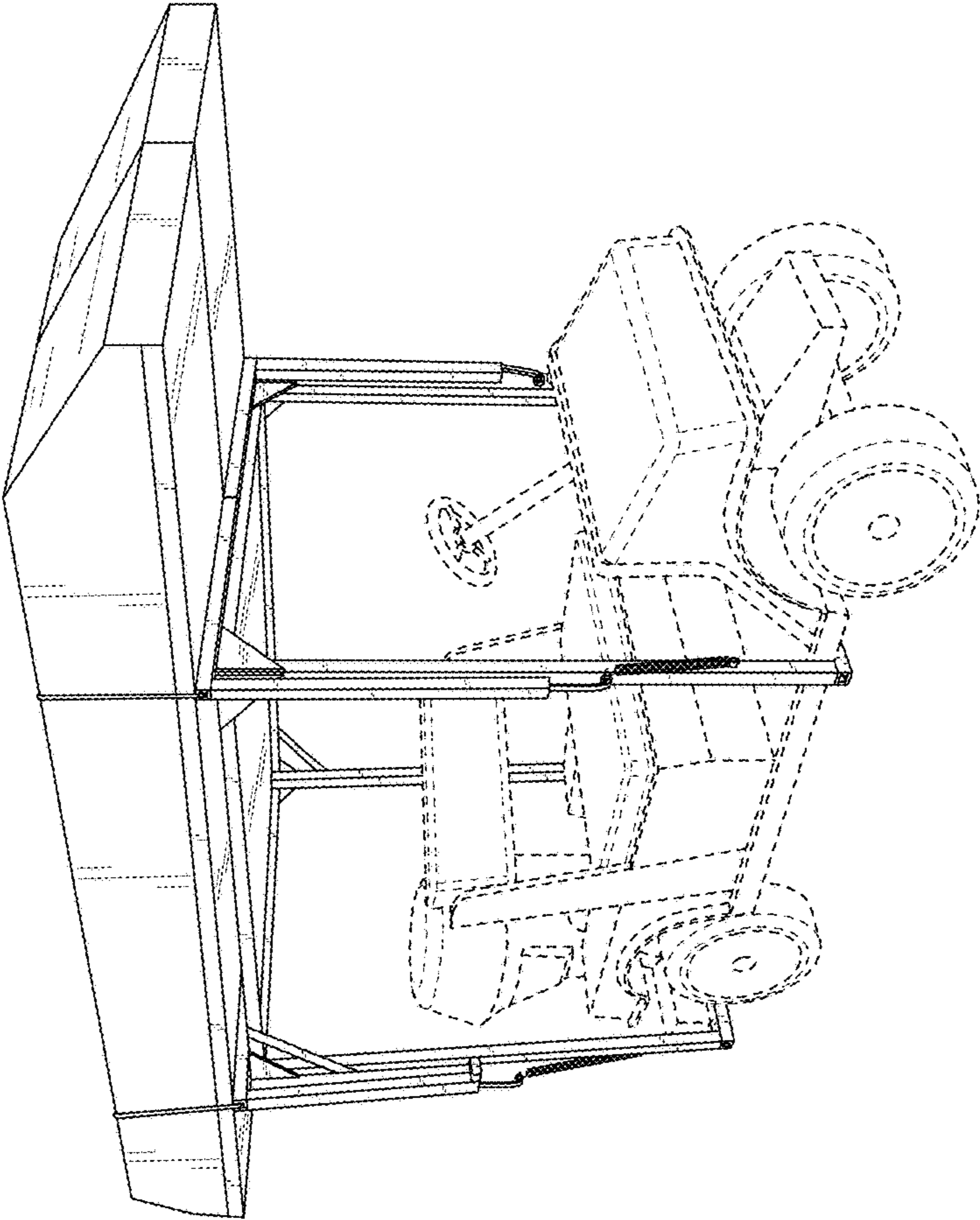


FIG. 8