



US00D850354S

(12) **United States Design Patent**
Crane

(10) **Patent No.:** **US D850,354 S**
(45) **Date of Patent:** **** Jun. 4, 2019**

- (54) **SAILBOAT**
- (71) Applicant: **Velum Limited**, Geneva (CH)
- (72) Inventor: **William Crane**, Norwalk, CT (US)
- (73) Assignee: **Velum Limited**, Geneva (CH)
- (**) Term: **15 Years**
- (21) Appl. No.: **29/649,482**
- (22) Filed: **May 30, 2018**

- D199,550 S 11/1964 Rowe
- 3,291,088 A * 12/1966 Klose B63B 35/71
114/138
- 3,345,969 A 10/1967 Purvis
- D212,345 S * 10/1968 Best D12/303
- D218,718 S * 9/1970 Pyle D12/303
- D219,315 S 11/1970 Mull
- D223,518 S 4/1972 Crealock

(Continued)

FOREIGN PATENT DOCUMENTS

GB 2030946 A 4/1980

OTHER PUBLICATIONS

Spring Racing Down Under, posted Nov. 7, 2017 [online], retrieved Sep. 12, 2018, retrieved from internet, <<http://www.impropercourse.com/2017/11/spring-racing-down-under.html>>.*

(Continued)

Primary Examiner — Barbara Fox
Assistant Examiner — Messina L Smith
(74) *Attorney, Agent, or Firm* — Fay Sharpe LLP

Related U.S. Application Data

- (62) Division of application No. 29/564,454, filed on May 13, 2016, now Pat. No. Des. 822,578.
- (51) **LOC (11) Cl.** **12-06**
- (52) **U.S. Cl.**
USPC **D12/303**
- (58) **Field of Classification Search**
USPC D12/300, 302–306, 308, 310, 313–314,
D12/316–318, 190, 194, 400;
D21/506–507, 533, 542–545; D23/259,
D23/266; D25/119–123, 128
CPC .. B63B 1/121; B63B 1/12; B63B 1/20; B63B
1/042; B63B 1/14; B63B 1/24; B63B
1/125; B63B 1/04; B63B 7/04; B63B
35/731; B63B 35/73; B63B 35/71; B63B
35/00; B63B 39/06; B63B 15/0083;
B63G 8/001; B63G 8/08; B63G 8/00;
B63G 2008/004; B63G 2008/005; B63G
2008/002; B21D 22/025
See application file for complete search history.

CLAIM

(57) The ornamental design for a sailboat, as shown and described.

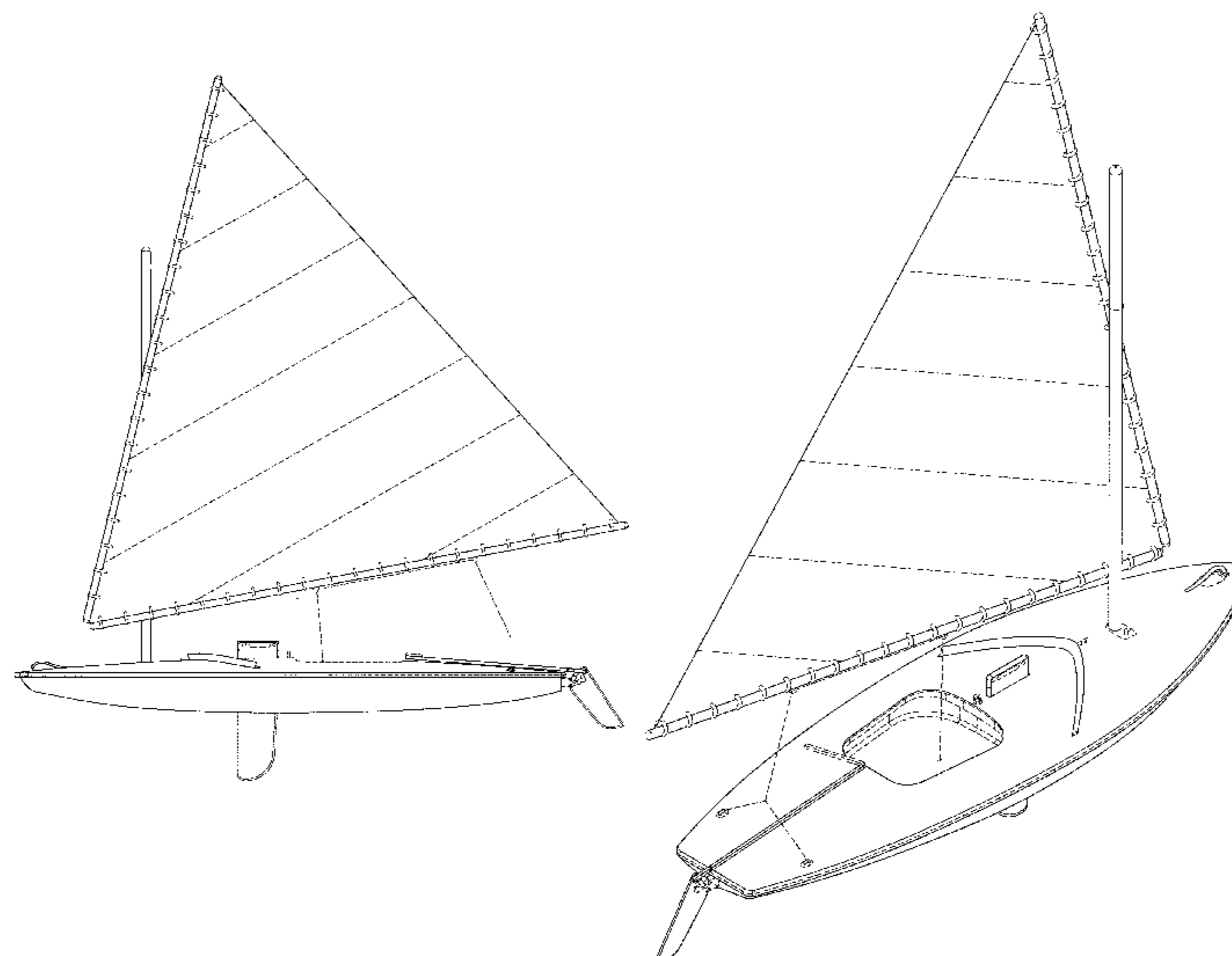
DESCRIPTION

FIG. 1 is a front view of a sailboat, showing the new design; FIG. 2 is a rear view of the sailboat; FIG. 3 is a left side view of the sailboat; FIG. 4 is a right side view of the sailboat; FIG. 5 is a bottom view of the sailboat; FIG. 6 is a top view of the sailboat; FIG. 7 is a front top perspective view of the sailboat; and, FIG. 8 is a rear top perspective view of the sailboat. The broken lines in the drawings depict portions of the sailboat that form no part of the claimed design.

(56) **References Cited**
U.S. PATENT DOCUMENTS

- 2,197,654 A 4/1940 Beaudry
- D179,618 S * 1/1957 Wendt D12/303
- 3,054,372 A 9/1962 Jones
- D198,609 S 7/1964 Kent

1 Claim, 7 Drawing Sheets



(56)

References Cited

U.S. PATENT DOCUMENTS

3,788,257 A 1/1974 Catamaran
 D237,372 S 10/1975 Catamaran
 D239,375 S 3/1976 Henry
 D241,325 S 9/1976 Crealock
 4,061,100 A 10/1977 Muhlfield
 4,190,980 A 3/1980 Grycel
 4,377,124 A 3/1983 Guigan
 D284,681 S 7/1986 Sugihara
 4,694,769 A 9/1987 Sowers
 D305,751 S 1/1990 Roberson
 5,347,946 A 9/1994 Ouckett
 5,431,121 A 7/1995 Canepa
 D368,210 S 3/1996 Arellano
 5,524,565 A 6/1996 Lavin
 6,932,010 B1 8/2005 Hoyt
 7,000,555 B1 2/2006 Buchner
 9,994,287 B1 * 6/2018 Mayers B63B 15/0083

10,005,526 B2 * 6/2018 White B63B 39/06
 2003/0064187 A1 4/2003 Blanchette
 2007/0199497 A1 8/2007 Bedell et al.
 2015/0274266 A1 10/2015 Eveleth
 2015/0307175 A1 10/2015 Stone, Jr.
 2018/0162497 A1 * 6/2018 Cronwright B63B 41/00

OTHER PUBLICATIONS

Kama Yachts, posted at [Sailinginfo4all.co.uk](http://www.sailinginfo4all.co.uk), no posting date given, site vided May 9, 2017, <http://www.sailinginfo4all.co.uk/boattypes/kama_yackts.htm>.

Stock Photo—sailing boat boats yacht boating sail sailing sails wind in your sea competition one man dingy Dingyi's, posted on Alamy.com, posted on Dec. 28, 2009, site visited May 9, 2017, <<http://www.alamy.com/stock-photo-sailing-boat-boats-yacht-boating-sail-sailing-sails-wind-in-your-sea-27590114.html>>.

* cited by examiner

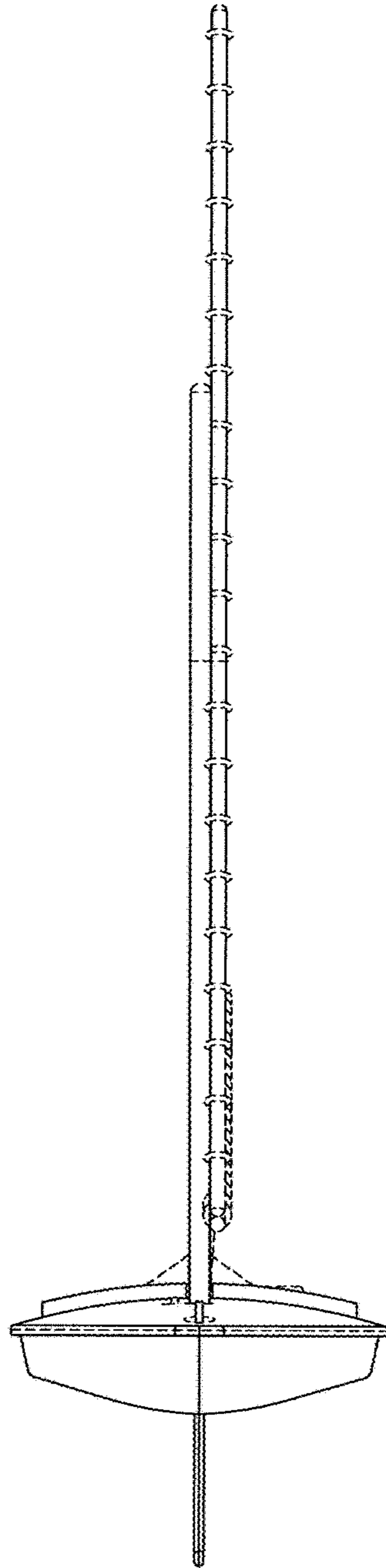


FIG. 1

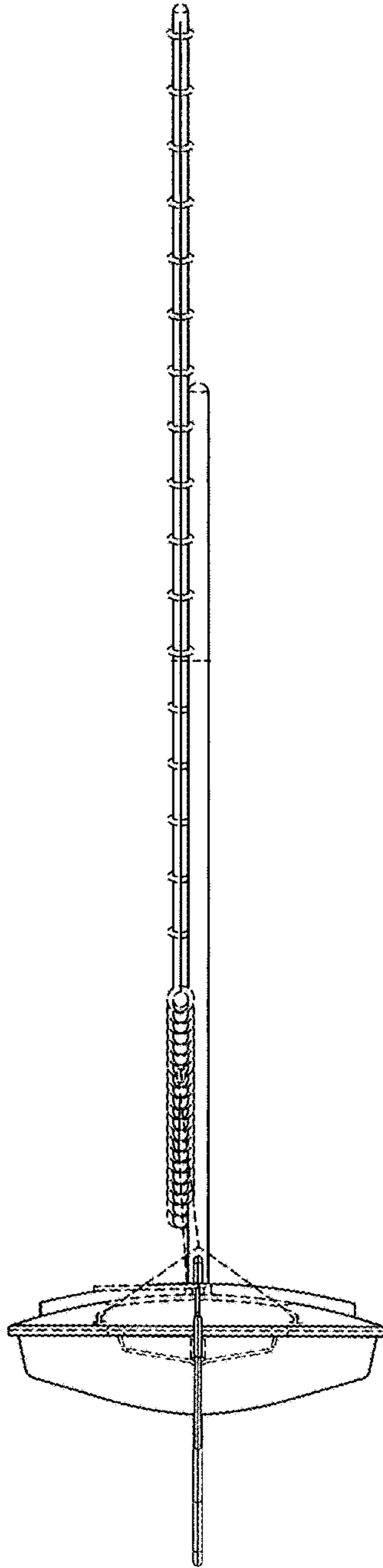


FIG. 2

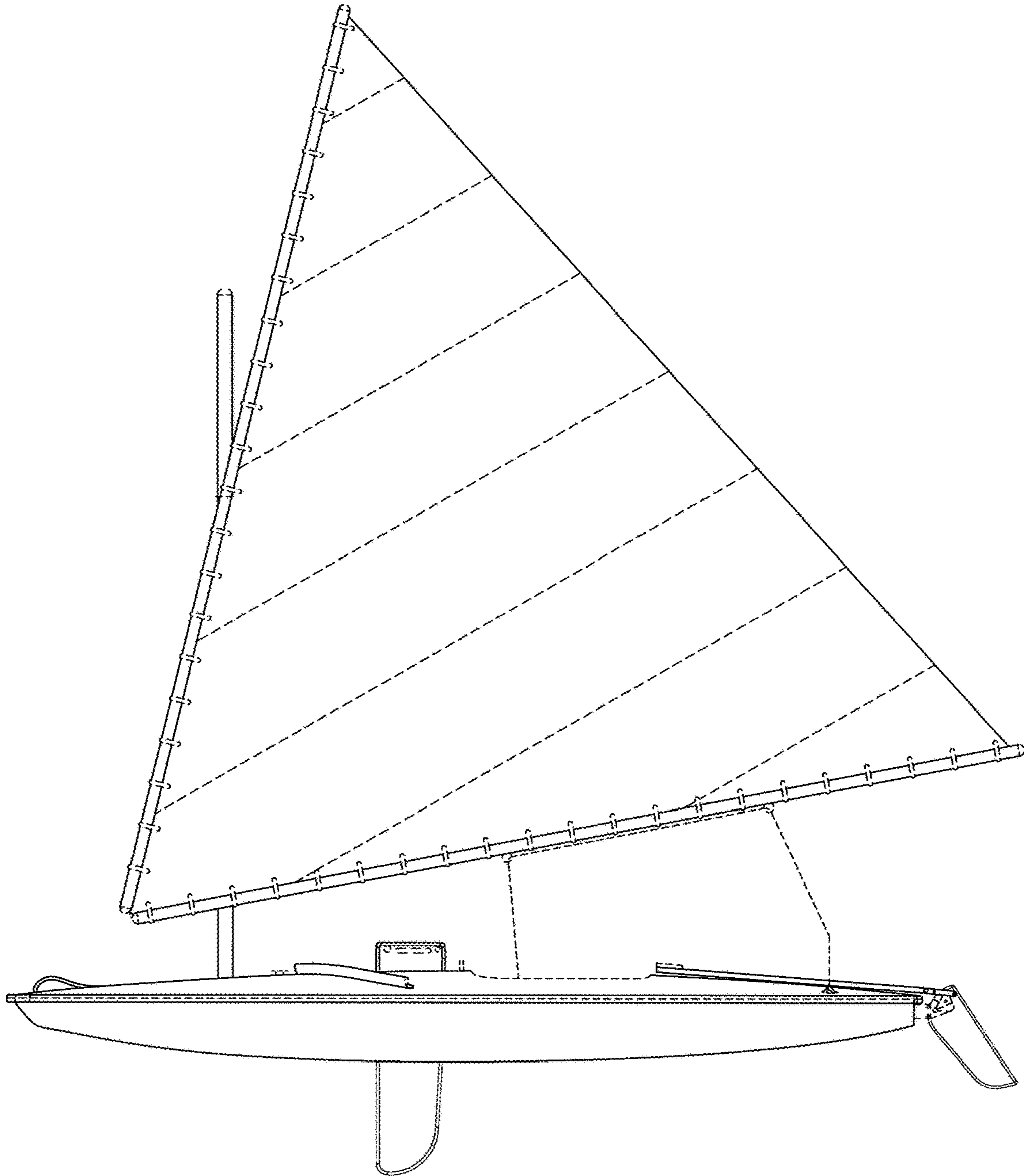


FIG. 3

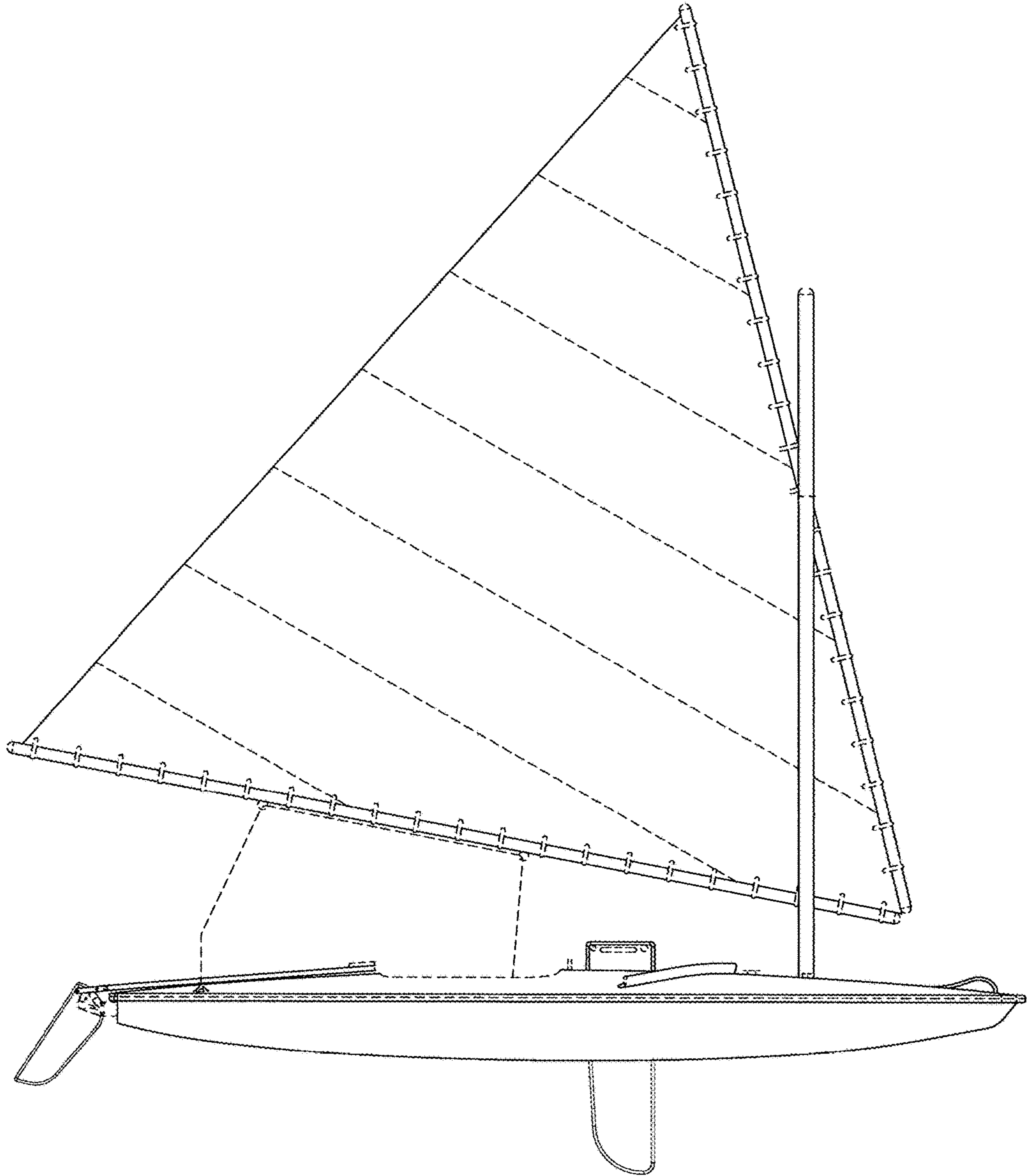


FIG. 4

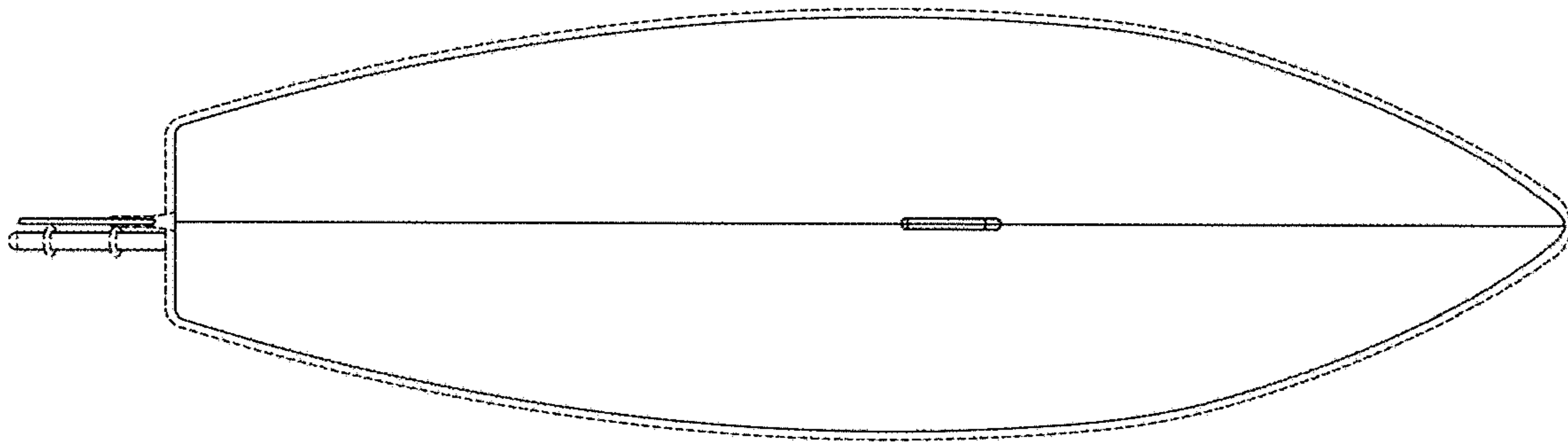


FIG. 5

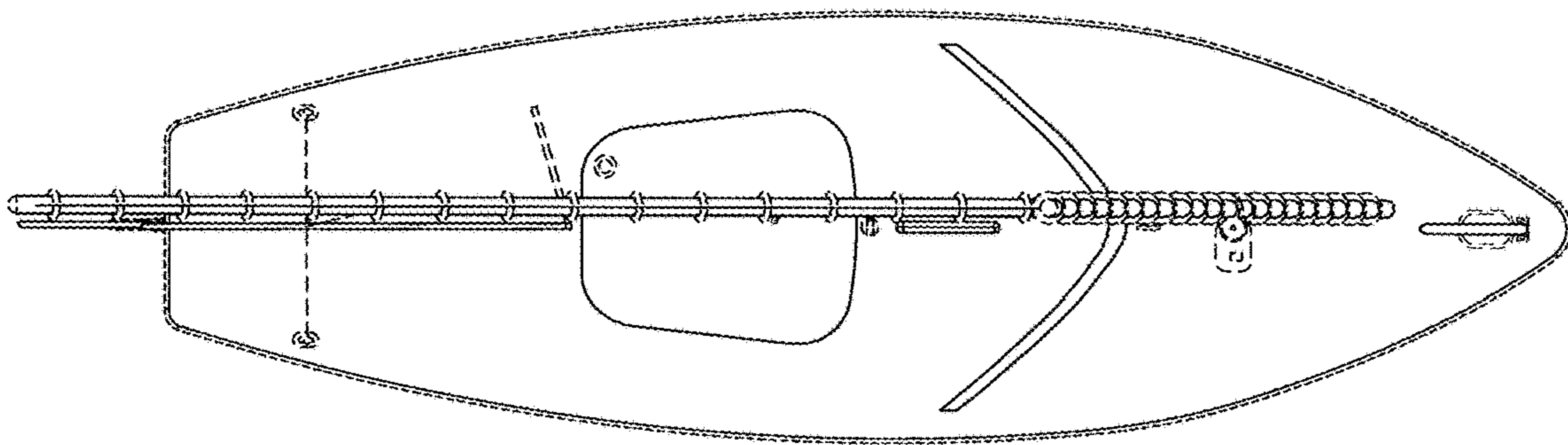


FIG. 6

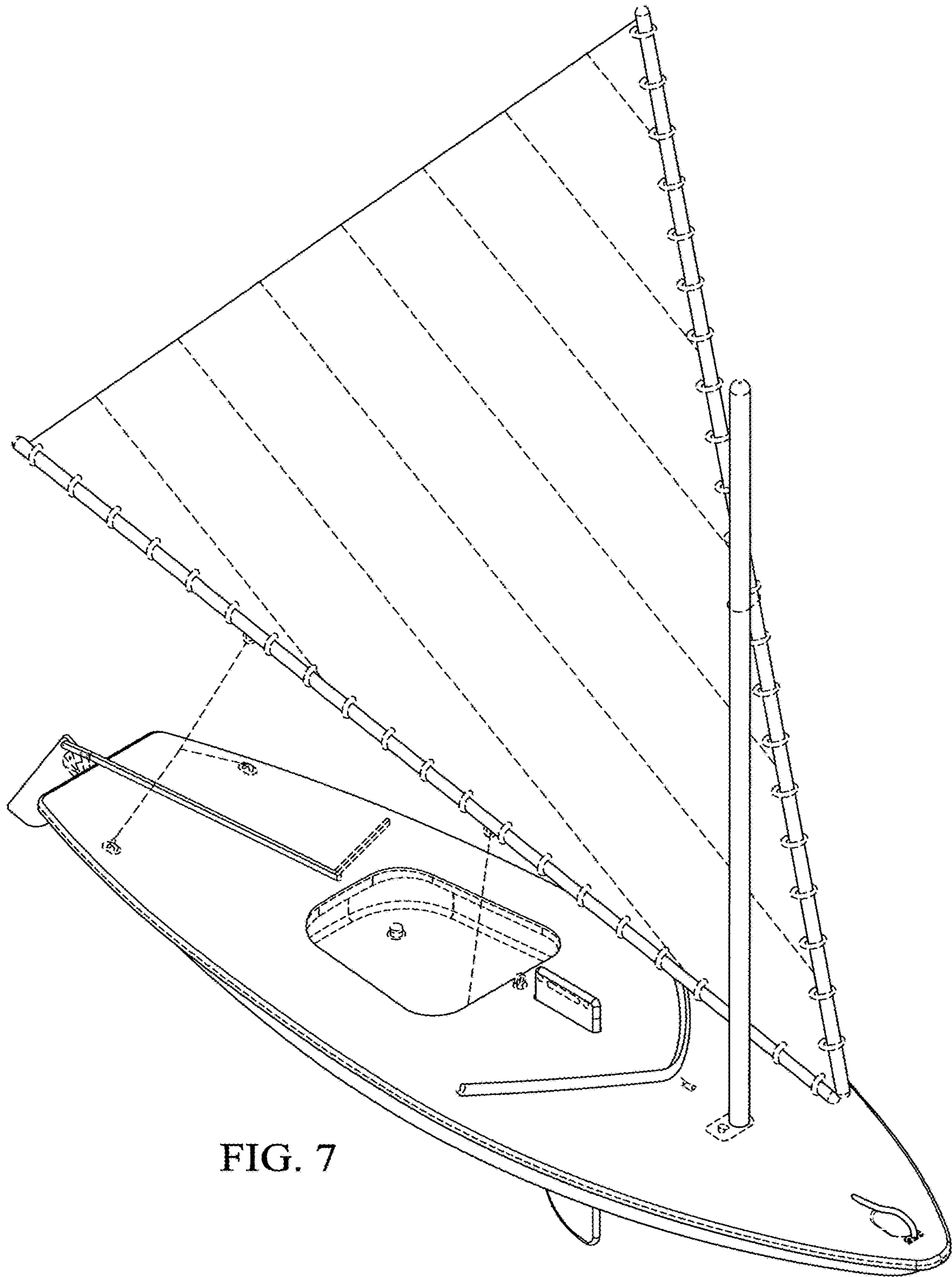


FIG. 7

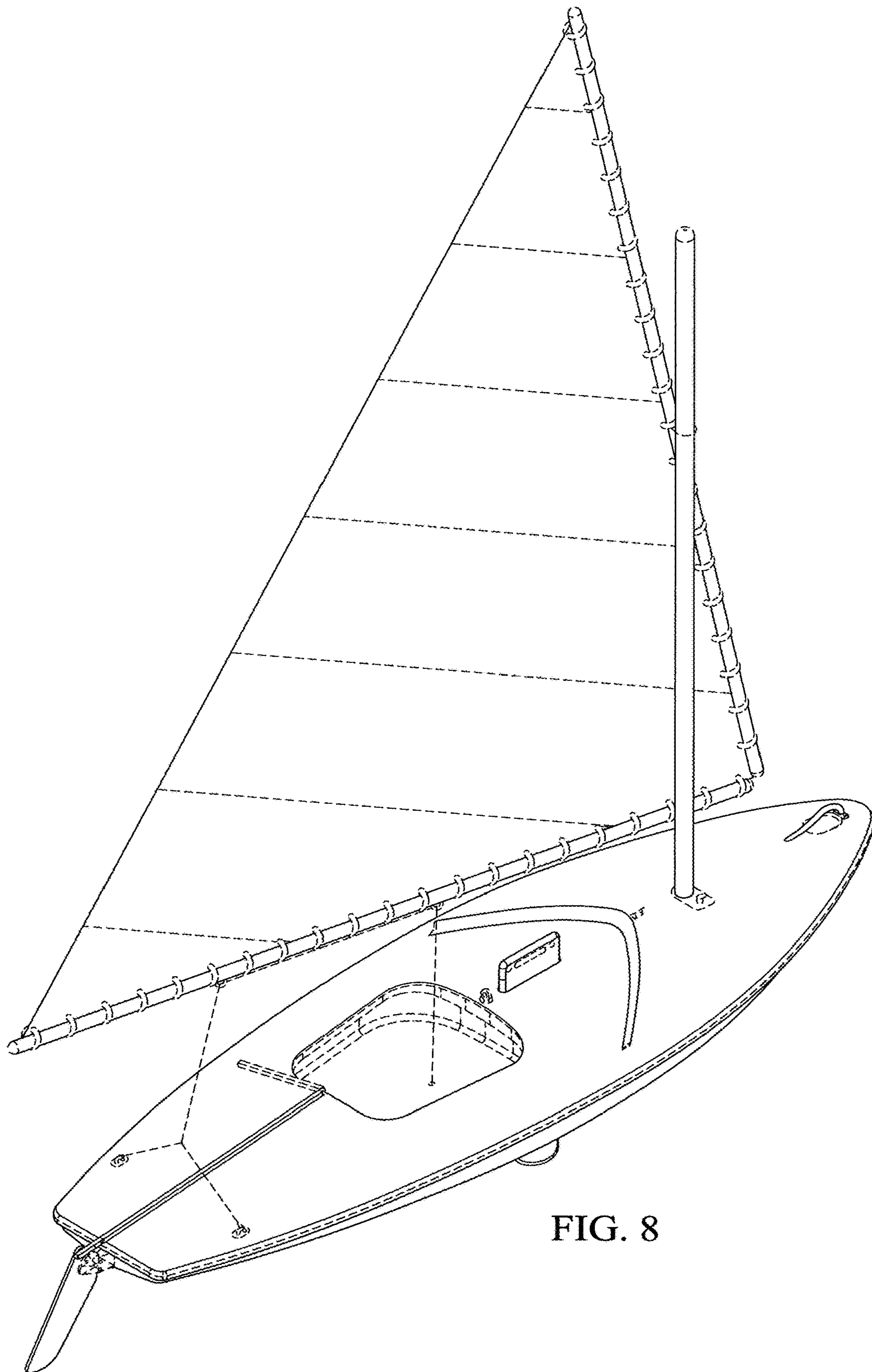


FIG. 8