



US00D850353S

(12) **United States Design Patent** (10) **Patent No.:** **US D850,353 S**
Badillo (45) **Date of Patent:** **** Jun. 4, 2019**

(54) **VEHICLE RACK SUPPORT TOWER**

(71) Applicant: **Intelligent Designs 2000 Corp.**,
Aurora, CO (US)

(72) Inventor: **Paul Badillo**, Littleton, CO (US)

(73) Assignee: **INTELLIGENT DESIGNS 2000 CORP.**, Aurora, CO (US)

704,436 A	7/1902	Cluff
744,113 A	11/1903	Rye
1,564,776 A	12/1925	Green
1,606,954 A	11/1926	Moen et al.
2,387,779 A	10/1945	Strauss
2,492,841 A	12/1949	Burkey
2,521,815 A	9/1950	Will
2,663,472 A	12/1953	Belgau
2,784,888 A	3/1957	Lecanu-Deschamps
		(Continued)

(**) Term: **15 Years**

(21) Appl. No.: **29/535,865**

(22) Filed: **Aug. 11, 2015**

Related U.S. Application Data

(63) Continuation-in-part of application No. 13/942,489, filed on Jul. 15, 2013, now Pat. No. 9,676,343, which is a continuation of application No. 12/861,034, filed on Aug. 23, 2010, now Pat. No. 8,496,146.

(51) **LOC (11) Cl.** **12-06**

(52) **U.S. Cl.**
USPC **D12/223**

(58) **Field of Classification Search**
USPC D12/20, 42, 43, 44, 48, 317, 345, 106,
D12/114, 115, 117, 400, 406, 407, 408,
D12/409, 410, 412, 414, 203, 223;
D8/349, 354, 355, 382, 394, 499, 404, 19,
D8/16
CPC .. B60R 9/00; B60R 9/04; B60R 9/042; B60R
9/0423; B60R 9/0485; B60R 9/058; B60R
2011/004; B60R 2011/0052; B60R
2011/0059; B60R 2011/008
See application file for complete search history.

(56) **References Cited**

U.S. PATENT DOCUMENTS

D30,369 S * 3/1899 Mandt D12/223
D33,754 S * 12/1900 Hien D12/48

OTHER PUBLICATIONS

Advertisement: Yakima Spare Tire Carrier, Cargo Basket for Roof Racks, available at http://www.rackoutfitters.com/catalog/yakima_spare_tire_carrier_1836640.htm, dated Jul. 7, 2003, 1 page.

(Continued)

Primary Examiner — Ian Simmons

Assistant Examiner — Ieisha N Price

(74) *Attorney, Agent, or Firm* — Sheridan Ross PC

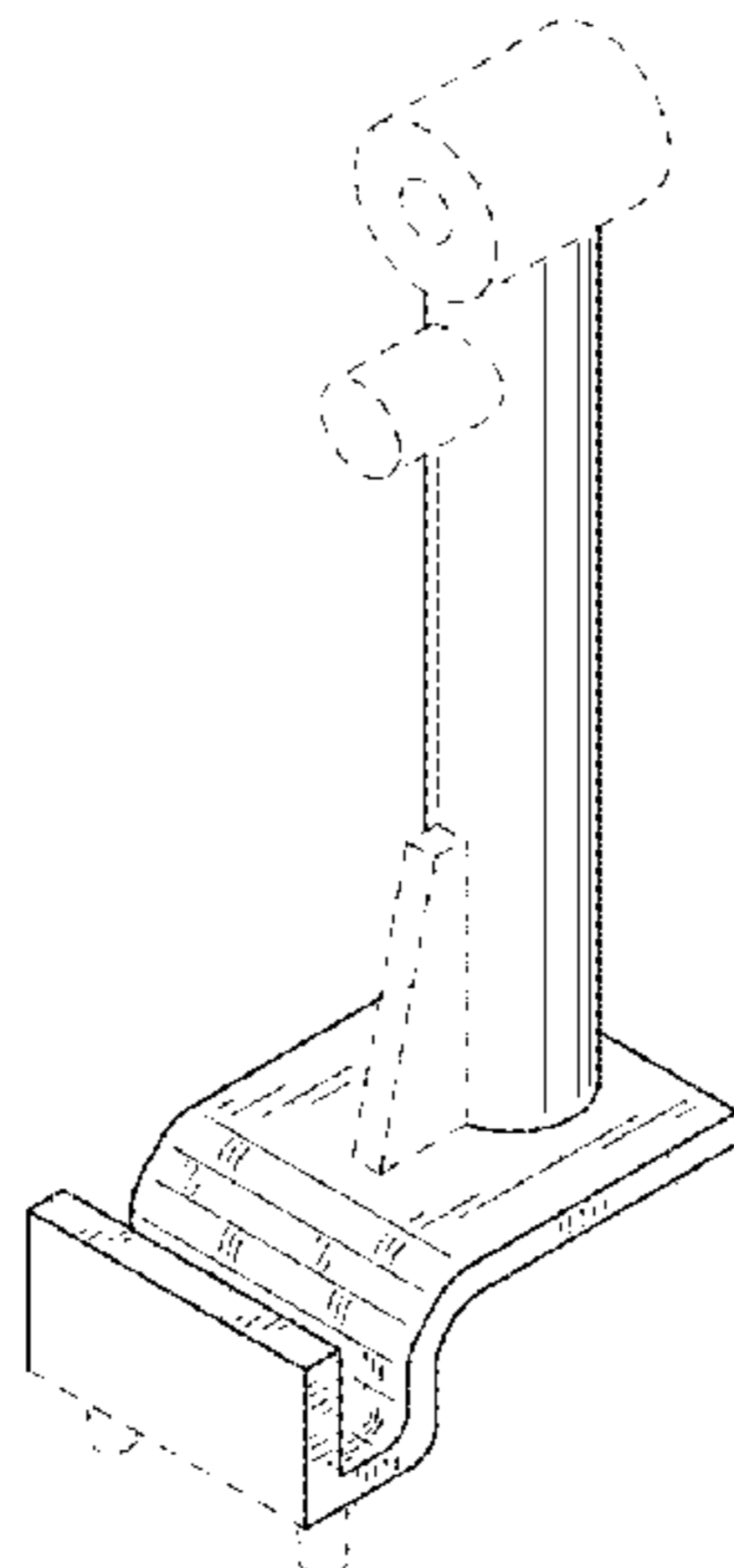
(57) **CLAIM**

The ornamental design for a vehicle rack support tower, as shown and described.

DESCRIPTION

FIG. 1 is a front perspective view of a vehicle rack support tower;
FIG. 2 is a rear perspective view of a vehicle rack support tower;
FIG. 3 is a front elevation view thereof;
FIG. 4 is a rear elevation view thereof;
FIG. 5 is a right elevation view thereof;
FIG. 6 is a left elevation view thereof;
FIG. 7 is a top plan view thereof; and,
FIG. 8 is a bottom plan view thereof.
The broken lines in the drawings illustrate portions of the vehicle rack support tower and form no part of the claimed design.

1 Claim, 4 Drawing Sheets



(56)

References Cited

U.S. PATENT DOCUMENTS

2,800,264 A 7/1957 McFadyen
 2,967,635 A 1/1961 Barnett
 3,158,301 A 11/1964 Hedgepeth
 3,215,323 A 11/1965 Bonitt
 3,260,929 A 7/1966 Hedgepeth
 3,330,454 A 7/1967 Bott
 3,531,006 A 9/1970 Farchmin
 D223,753 S * 6/1972 Seals D12/400
 3,762,587 A 10/1973 Longee, Sr.
 3,765,713 A 10/1973 Suitt
 3,902,642 A 9/1975 McNeece
 D243,447 S * 2/1977 Smith, III D12/114
 4,249,683 A 2/1981 Park
 4,336,897 A 6/1982 Luck
 4,350,471 A 9/1982 Lehman
 4,817,834 A 4/1989 Weiler
 4,948,024 A 8/1990 Warner et al.
 4,995,538 A * 2/1991 Marengo B60R 9/058
 224/315
 D324,664 S * 3/1992 Burnette D12/114
 5,171,083 A 12/1992 Rich
 5,320,061 A * 6/1994 Laughlin B60Q 1/50
 116/173
 5,381,939 A 1/1995 Tippets
 D359,134 S 6/1995 Toews
 5,560,525 A 10/1996 Grohmann et al.
 D406,557 S 3/1999 Bentley
 D413,562 S 9/1999 Van Dusen et al.
 6,003,633 A 12/1999 Rolson
 6,015,074 A 1/2000 Snavelly et al.
 D422,553 S 4/2000 VonDuyke
 6,116,378 A 9/2000 Barrow
 6,126,051 A 10/2000 Potter
 D434,364 S 11/2000 Bauer et al.
 6,152,339 A 11/2000 Kreisler
 D434,718 S 12/2000 Kreisler
 D435,510 S 12/2000 Quidort
 6,179,180 B1 1/2001 Walker et al.
 D442,289 S 5/2001 Ziaylek et al.
 6,308,874 B1 10/2001 Kim et al.
 6,425,508 B1 7/2002 Cole et al.
 6,428,263 B1 8/2002 Schellens
 D463,358 S 9/2002 Thomas
 D470,451 S 2/2003 Bushart et al.
 6,561,397 B1 5/2003 Bauer et al.
 6,581,813 B2 6/2003 Bove et al.
 D477,562 S 7/2003 McCoy et al.
 6,604,606 B1 8/2003 McDougal et al.
 D479,884 S 9/2003 Berryman
 D481,003 S 10/2003 Bauer et al.
 6,715,652 B2 4/2004 Kmita et al.
 D490,163 S 5/2004 Thurston
 6,739,349 B2 5/2004 Kastenschmid et al.
 6,755,332 B2 6/2004 Crane et al.
 D508,015 S 8/2005 Badillo
 D512,783 S 12/2005 Badillo
 D520,938 S 5/2006 Badillo
 7,055,454 B1 6/2006 Whiting et al.
 D537,404 S 2/2007 Bauer et al.
 7,226,266 B2 6/2007 Henderson et al.
 7,249,927 B2 7/2007 Wooten et al.
 D549,838 S 8/2007 Badillo
 D558,123 S 12/2007 Murillo
 D564,419 S * 3/2008 Clontz D12/114
 D578,952 S 10/2008 Badillo
 D603,321 S 11/2009 Kramer
 D621,328 S 8/2010 Sister et al.
 D624,005 S 9/2010 Winner et al.
 D638,333 S 5/2011 Freeman
 D650,316 S * 12/2011 Pirolo D12/223
 8,496,146 B2 7/2013 Badillo
 D765,577 S 9/2016 Kmita et al.
 D772,783 S 11/2016 Schleef
 2005/0082326 A1 4/2005 Badillo

2005/0092796 A1 5/2005 Essig
 2005/0095102 A1 5/2005 Watson
 2011/0101056 A1 5/2011 Barkey
 2013/0299538 A1 11/2013 Badillo

OTHER PUBLICATIONS

Advertisement: Thule 840-Playpen Basket, Cargo Basket for Roof Racks, available at http://www.rackoutfitters.com/catalog/thule_840_-_playpen_basket_1885452.htm, dated Jul. 7, 2003, 1 page.
 Advertisement: SURCO, Products, Inc., "Basket rack—it just flat out carries what you need to take," available at http://www.everythingsuv.com/surco_safari_roof_racks-esuv.asp, dated Jul. 7, 2003, 10 pages.
 Advertisement: KargoMaster, Kargo Master Safari Racks, available at http://www.kargomaster.com/jeep23.asp?rack=sport_jeep, Jul. 7, 2007, 1 page.
 Advertisement: KargoMaster, The Bushman Steel Rack, available at <http://www.kargomaster.com/bushman.asp?type=Jeep>, dated Jul. 7, 2003, 1 page.
 Advertisement: KargoMaster, Seregenti Telescoping Steel Rack, available at <http://www.kargomaster.com/seregenti.asp?type=Jeep>, dated Jul. 7, 2003, 1 page.
 Advertisement: Bauer Vehicle Gear Roof Racks, Roof Storage, Bike Storage & Pet Barriers from Eve, available at http://www.everythingsuv.com/bvg_products-esuv.asp, Jul. 7, 2003, 2 pages.
 Advertisement: Manik Original Off-Road Equipment, Hummer Rough Terrain Package New Product Release "Tilt-Forward 1-Piece Front Bar," 2002, 1 page.
 Advertisement: Manik Original Off-Road Equipment, Hummer Rough Terrain Package New Product Release "Combination Tube Step Rocker Bar," 2002, 1 page.
 Advertisement: Congo Cage Jeep Rack, available at <http://www.kargomaster.com/item.asp?id=62>, printed Apr. 17, 2009, 13 pages.
 Product Literature entitled, "921—Dave's Rack 921-12X," Olympic 4x4, date unknown, 10 pages.
 Advertisement: 921—Daves Rack, Olympic 4x4 Products for over 60 years, available at <http://olympic4X4products.com/utility-racks/921-daves-rack>, printed Jan. 14, 2011, 3 pages.
 Official Action for U.S. Appl. No. 12/861,034 dated Oct. 4, 2012, 16 pages.
 Notice of Allowance for U.S. Appl. No. 12/861,034 dated Mar. 29, 2013, 7 pages.
 "Installation Guide: BR-JPTJ2D-1-0 BajaRack Jeep TJ 2 Doors," BajaRack Adventure Equipment, 4 page, first sold 2013.
 "BR-JPK-Series Installation Instructions," BajaRack Adventure Equipment, 5 pages, first sold 2013.
 "Installation Guide: BR-JP-JK4D-1-0 BajaRack Jeep JK 4 Doors," BajaRack Adventure Equipment, 6 pages, first sold 2013.
 Official Action for U.S. Appl. No. 13/942,489 dated May 3, 2016, 11 pages.
 Final Action for U.S. Appl. No. 13/942,489 dated Sep. 29, 2016, 15 pages.
 Notice of Allowance for U.S. Appl. No. 13/942,489 dated Feb. 7, 2017, 5 pages.
 U.S. Appl. No. 15/586,769, filed May 4, 2017, Badillo.
 Notice of Allowance for U.S. Appl. No. 13/942,489 dated Mar. 27, 2017, 5 pages.
 Notice of Allowance for U.S. Appl. No. 29/535,957 dated Mar. 27, 2017, 6 pages.
 Official Action for U.S. Appl. No. 15/586,769 dated Jul. 17, 2017, 14 pages.
 U.S. Appl. No. 29/612,924, filed Aug. 4, 2017, Badillo.
 U.S. Appl. No. 29/612,927, filed Aug. 4, 2017, Badillo.
 U.S. Appl. No. 29/612,929, filed Aug. 4, 2017, Badillo.
 U.S. Appl. No. 29/612,930, filed Aug. 4, 2017, Badillo.
 U.S. Appl. No. 29/612,814, filed Mar. 16, 2018, Badillo.
 Official Action for U.S. Appl. No. 15/586,769, dated Dec. 5, 2017, 9 pages.

* cited by examiner

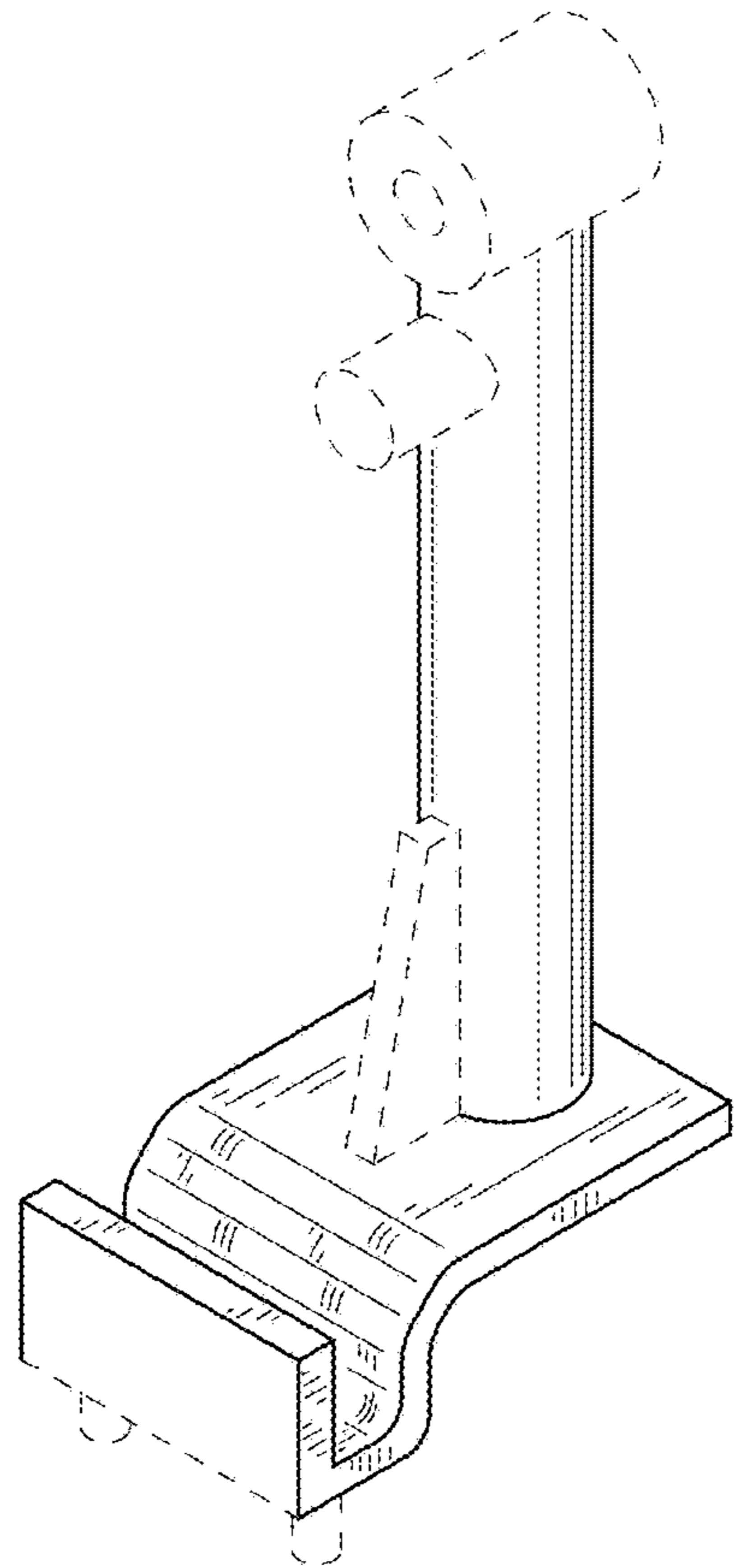


FIG.1

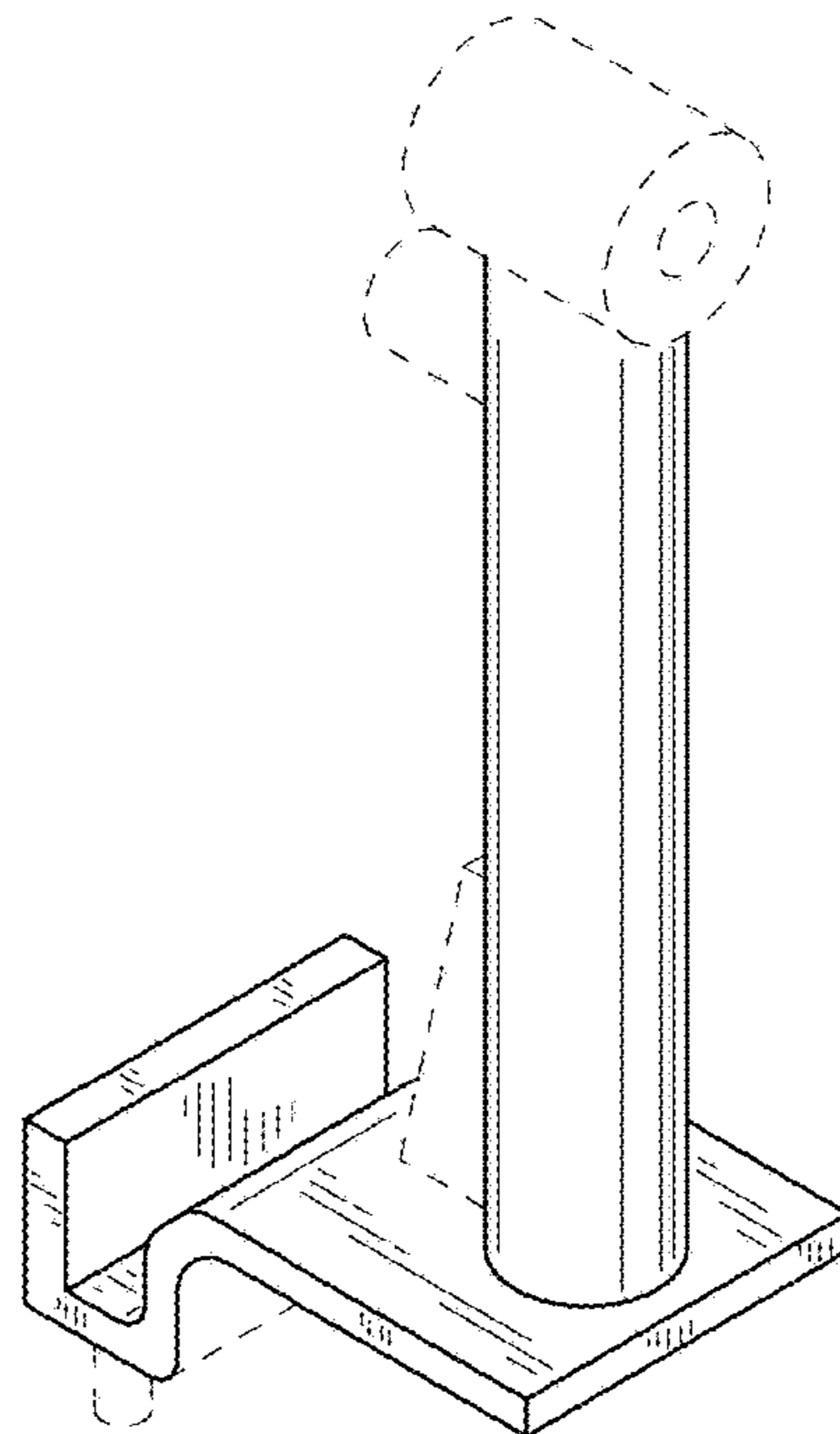


FIG.2

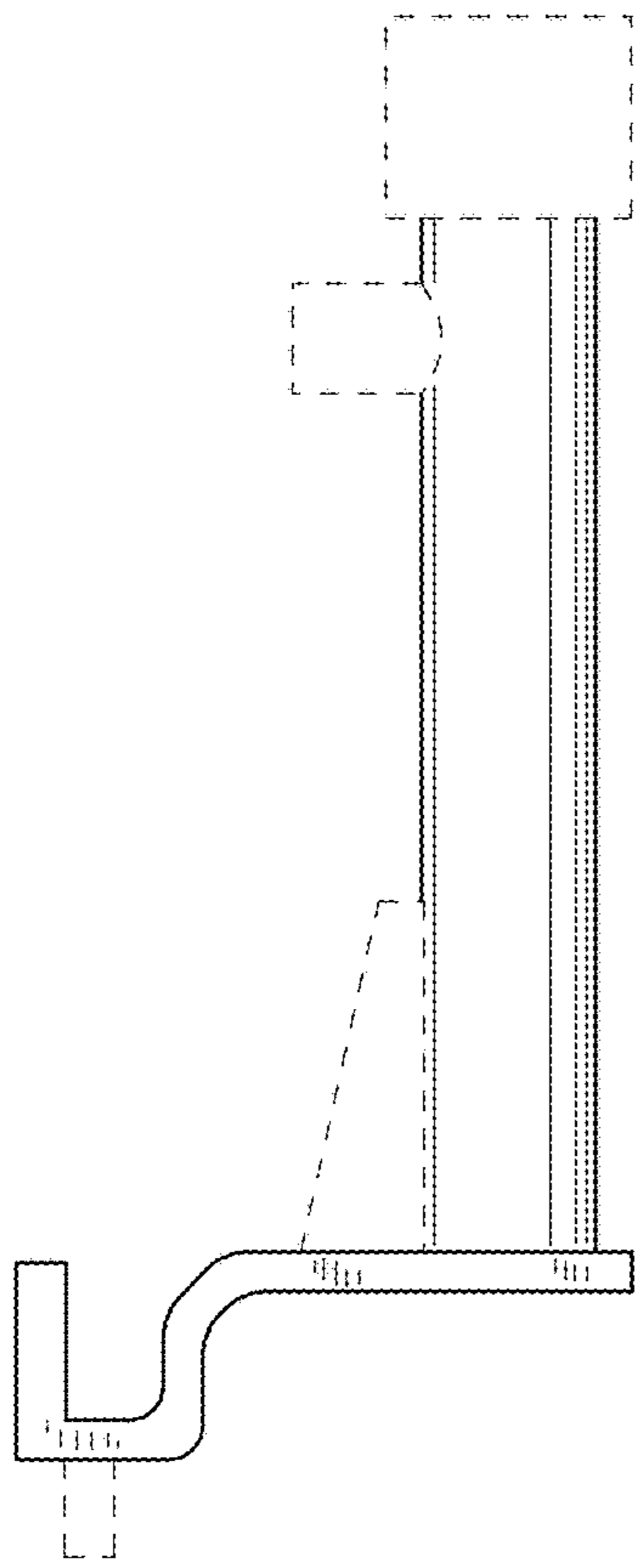


FIG.3

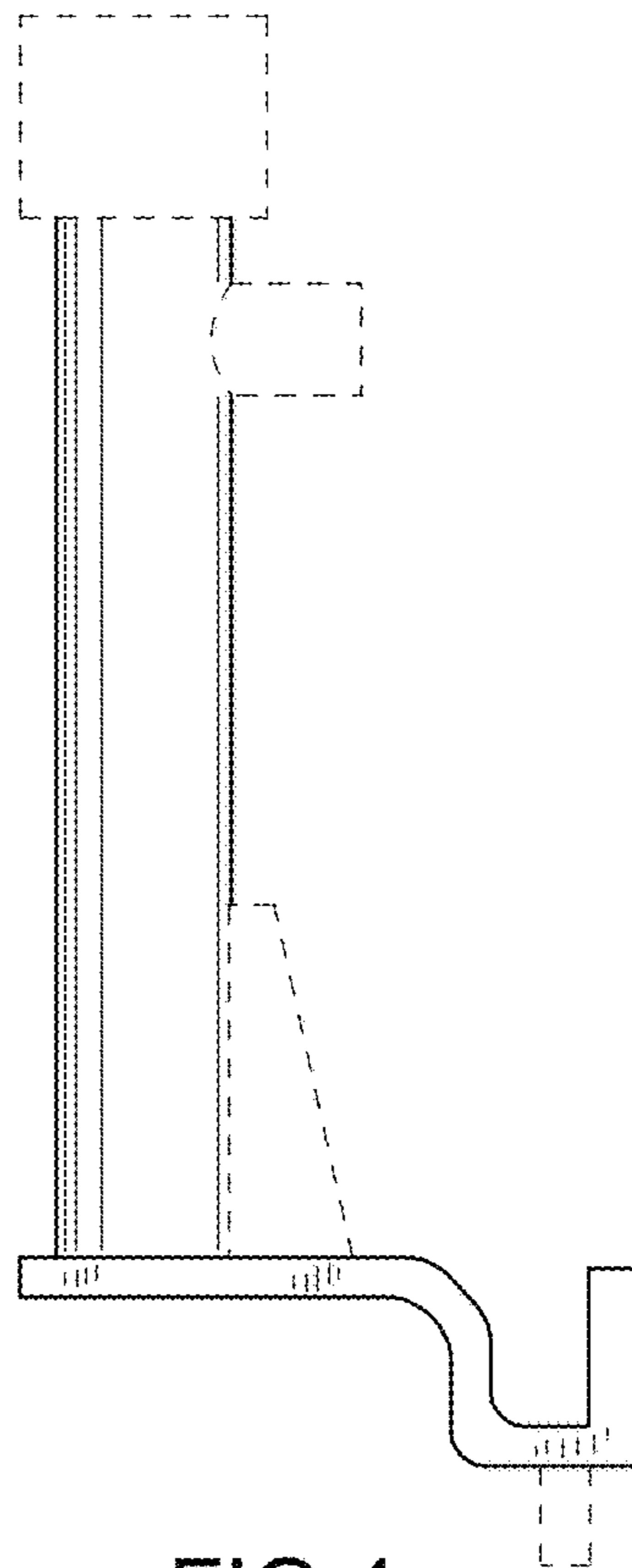


FIG.4

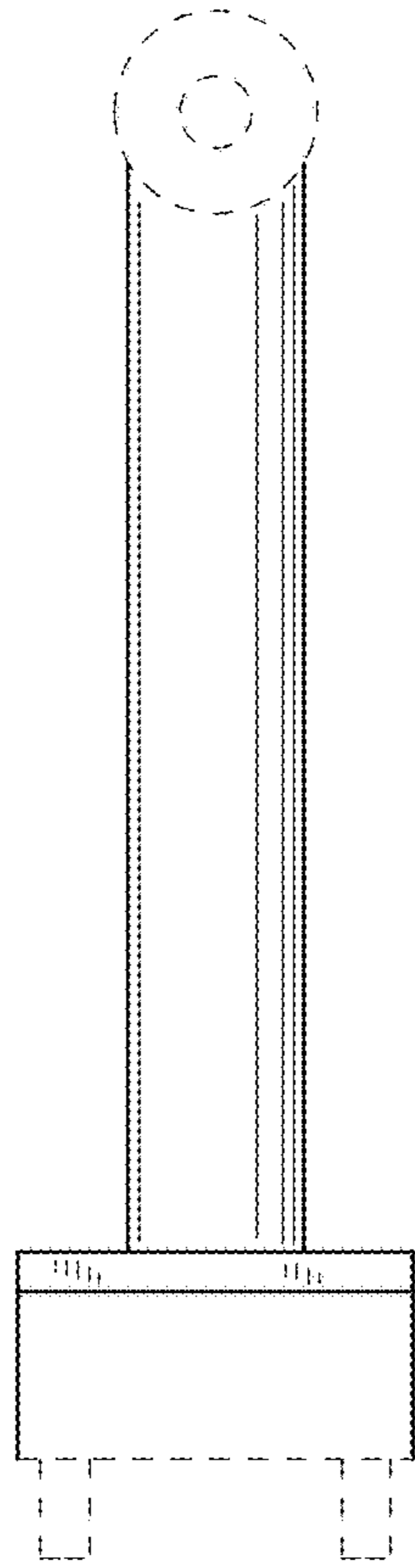


FIG.5

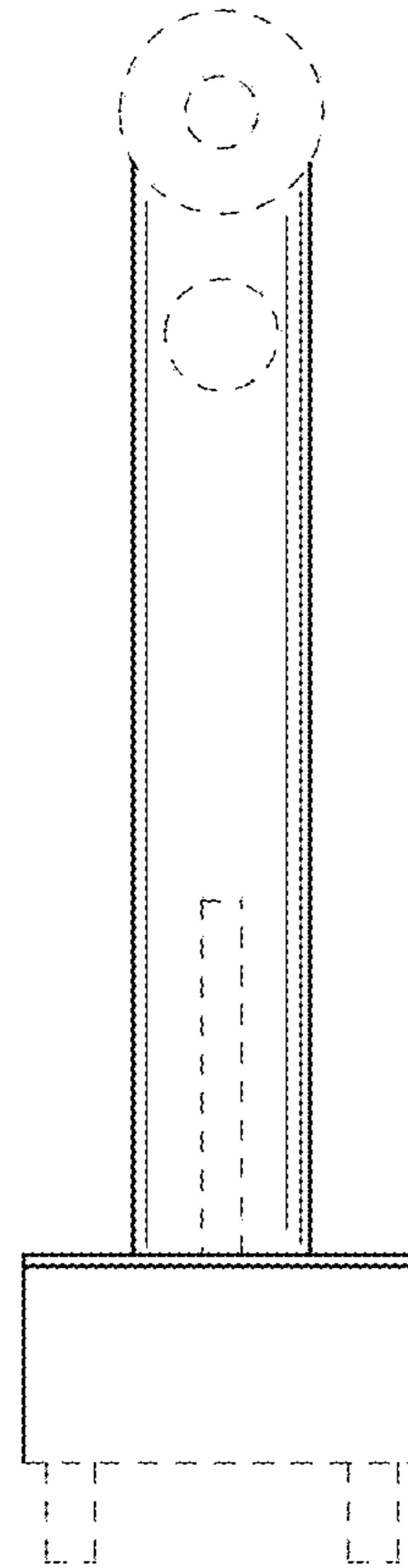


FIG.6

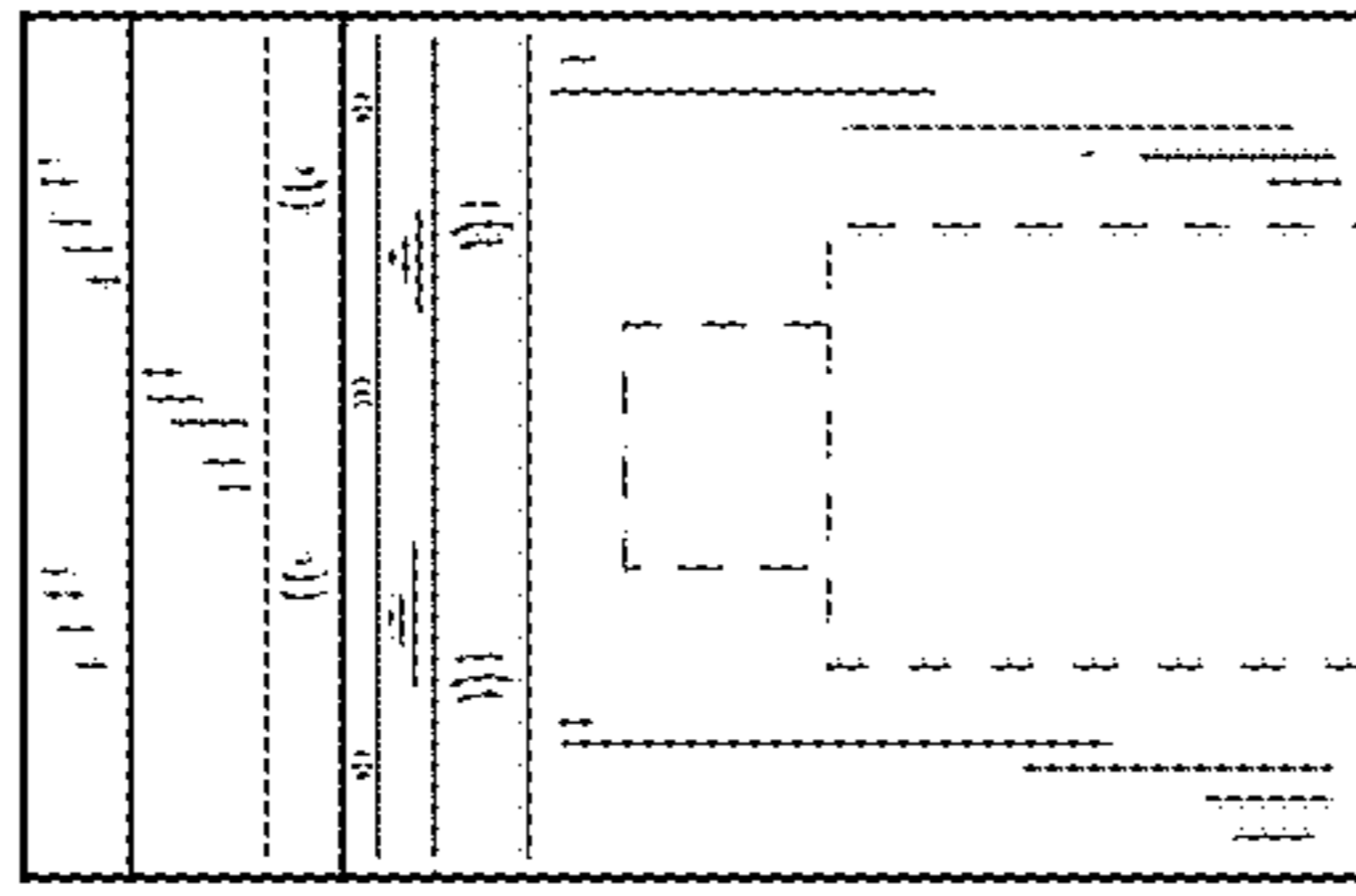


FIG.7

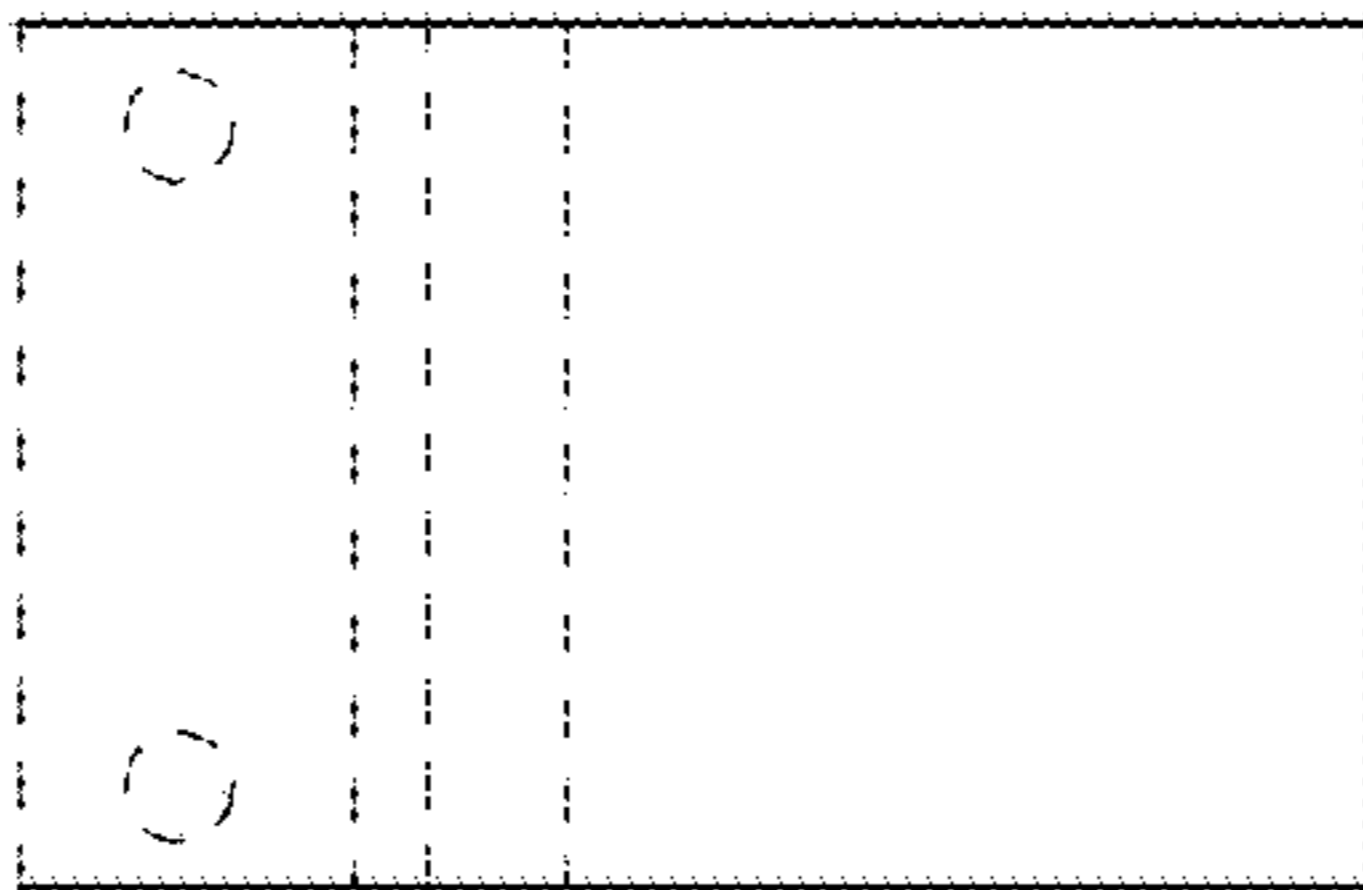


FIG.8