



US00D850352S

(12) **United States Design Patent** (10) **Patent No.:** **US D850,352 S**
Henry et al. (45) **Date of Patent:** **** Jun. 4, 2019**

(54) **HUB CAP VENT PLUG**

(71) Applicant: **Equalaire Systems, Inc.**, Corpus Christi, TX (US)

(72) Inventors: **Dane Henry**, Windcrest, TX (US);
Mark Kevin Hennig, San Antonio, TX (US)

(73) Assignee: **Equalaire Systems, Inc.**, Corpus Christi, TX (US)

(**) Term: **15 Years**

(21) Appl. No.: **29/609,530**

(22) Filed: **Jun. 30, 2017**

(51) **LOC (11) Cl.** **12-16**

(52) **U.S. Cl.**
USPC **D12/213**

(58) **Field of Classification Search**
USPC D12/159-161, 177, 213, 400; D9/439,
D9/445; D8/396

CPC .. F16C 33/7823; F16C 2326/02; F16C 19/18;
B62D 7/18; B60B 7/0013; B60B 7/002;
B60C 23/003

See application file for complete search history.

(56) **References Cited**

U.S. PATENT DOCUMENTS

2,871,342 A * 1/1959 Mappes B60Q 1/2615
362/267

3,114,579 A 12/1963 Isenbarger

3,168,961 A * 2/1965 Yates F16B 21/086
220/787

(Continued)

OTHER PUBLICATIONS

Product information for SKF Hubcaps, <http://www.skf.com/us/products/vehicle-aftermarket/heavy-duty/wheel-end/hubcaps/index.html>, available online Aug. 21, 2017, 3 pages.

Primary Examiner — Sheryl Lane

Assistant Examiner — Calvin E Vansant

(74) *Attorney, Agent, or Firm* — Pizarro Allen PC

(57) **CLAIM**

The ornamental design for a hub cap vent plug, as shown and described.

DESCRIPTION

FIG. 1 is a front perspective view of a hub cap vent plug showing one embodiment of our new design.

FIG. 2 is a front elevational view of the embodiment of FIG. 1.

FIG. 3 is a rear elevational view of the embodiment of FIG. 1.

FIG. 4 is a right side view of the embodiment of FIG. 1.

FIG. 5 is a left side view of the embodiment of FIG. 1.

FIG. 6 is a top plan view of the embodiment of FIG. 1.

FIG. 7 is a bottom plan view of the embodiment of FIG. 1.

FIG. 8 is a cross-section view of the embodiment of FIG. 1.

FIG. 9 is a front perspective view of a hub cap vent plug showing another embodiment of our new design.

FIG. 10 is a front elevational view of the embodiment of FIG. 9.

FIG. 11 is a rear elevational view of the embodiment of FIG. 9.

FIG. 12 is a right side view of the embodiment of FIG. 9.

FIG. 13 is a left side view of the embodiment of FIG. 9.

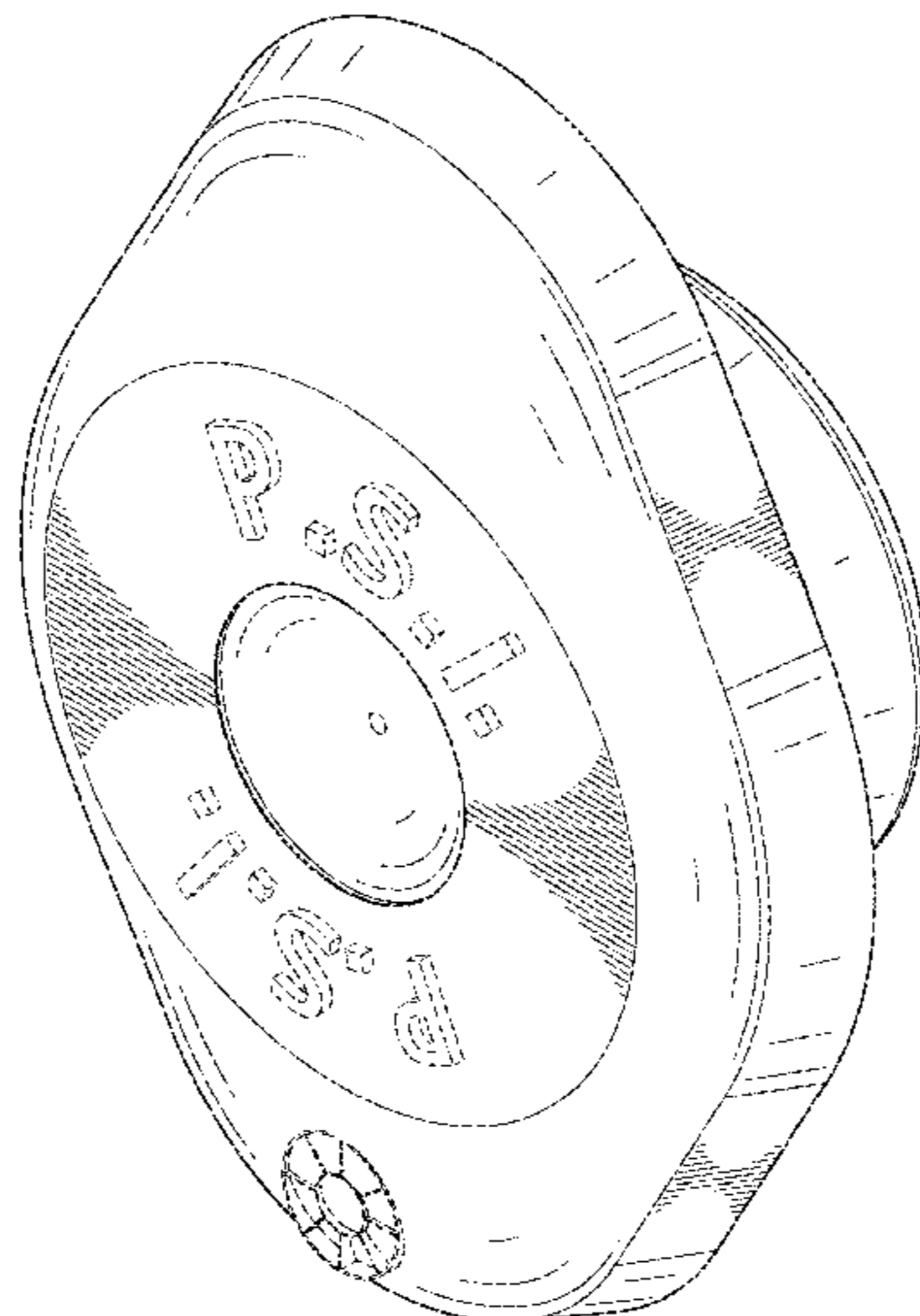
FIG. 14 is a top plan view of the embodiment of FIG. 9.

FIG. 15 is a bottom plan view of the embodiment of FIG. 9.

FIG. 16 is a cross-section view of the embodiment of FIG. 9; and,

FIG. 17 shows how a vent plug having a new design as disclosed herein may be disposed relative to vehicle hub cap. In the drawings, the broken lines depict environmental subject matter only and form no part of the claim.

1 Claim, 13 Drawing Sheets



(56)

References Cited

U.S. PATENT DOCUMENTS

| | | | | |
|--------------|-----|---------|---------------------|----------|
| 3,316,022 | A | 4/1967 | Isenbarger | |
| 3,331,638 | A | 7/1967 | Fruth | |
| 3,395,950 | A | 8/1968 | Brandt | |
| D230,317 | S * | 2/1974 | Lindner | D10/111 |
| D282,616 | S * | 2/1986 | Gallagher | D7/392.1 |
| 5,066,071 | A | 11/1991 | Kinser | |
| 5,195,807 | A | 3/1993 | Lederman | |
| 5,492,393 | A | 2/1996 | Peisker et al. | |
| 5,505,525 | A | 4/1996 | Denton | |
| 5,752,746 | A | 5/1998 | Perry | |
| 5,785,390 | A | 7/1998 | Gold et al. | |
| 5,860,708 | A | 1/1999 | Borders et al. | |
| D424,502 | S * | 5/2000 | Noriega | D12/213 |
| 6,676,227 | B1 | 1/2004 | Stanczak | |
| D490,767 | S * | 6/2004 | Nagasawa | D12/400 |
| 6,938,963 | B2 | 9/2005 | Denton | |
| 7,156,890 | B1 | 1/2007 | Thompson et al. | |
| D632,628 | S * | 2/2011 | Mitchell, Jr. | D12/213 |
| D644,921 | S * | 9/2011 | Hsu | D8/399 |
| D714,531 | S * | 10/2014 | Guglielmo | D2/946 |
| D813,570 | S * | 3/2018 | Santilli | D6/580 |
| D832,184 | S * | 10/2018 | Woolstencroft | D12/400 |
| 2017/0080760 | A1 | 3/2017 | Poor et al. | |

* cited by examiner

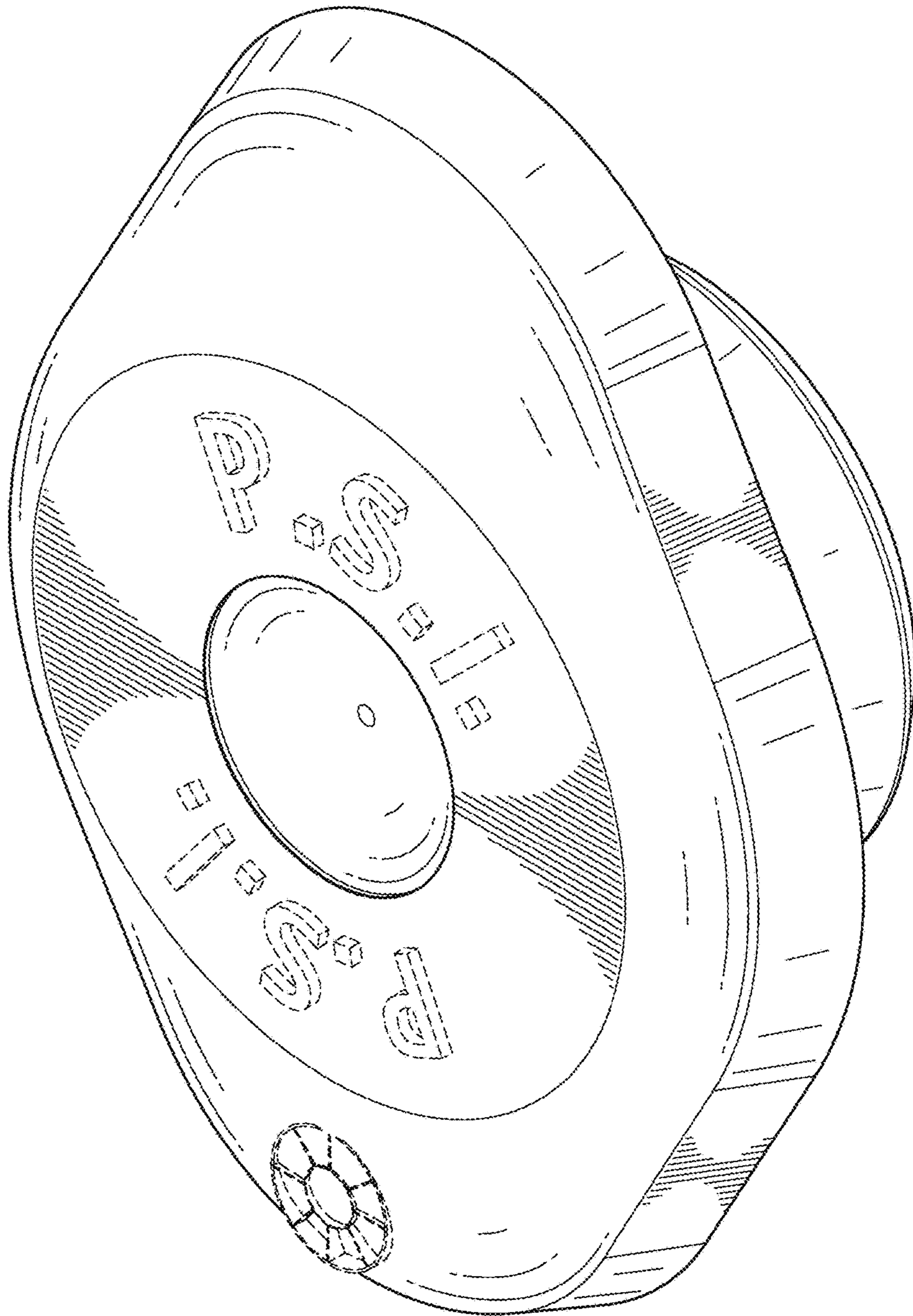


FIG. 1

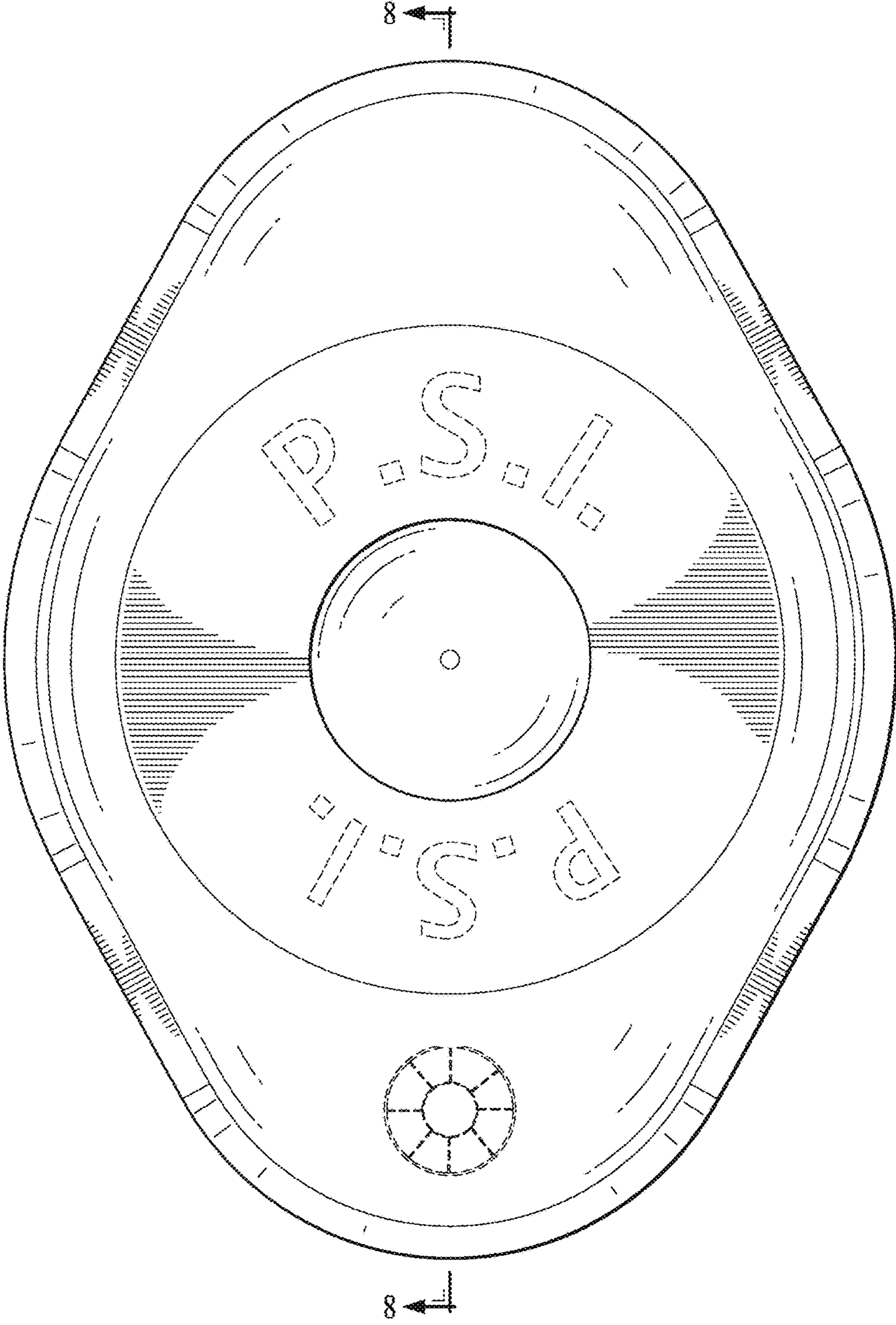


FIG. 2

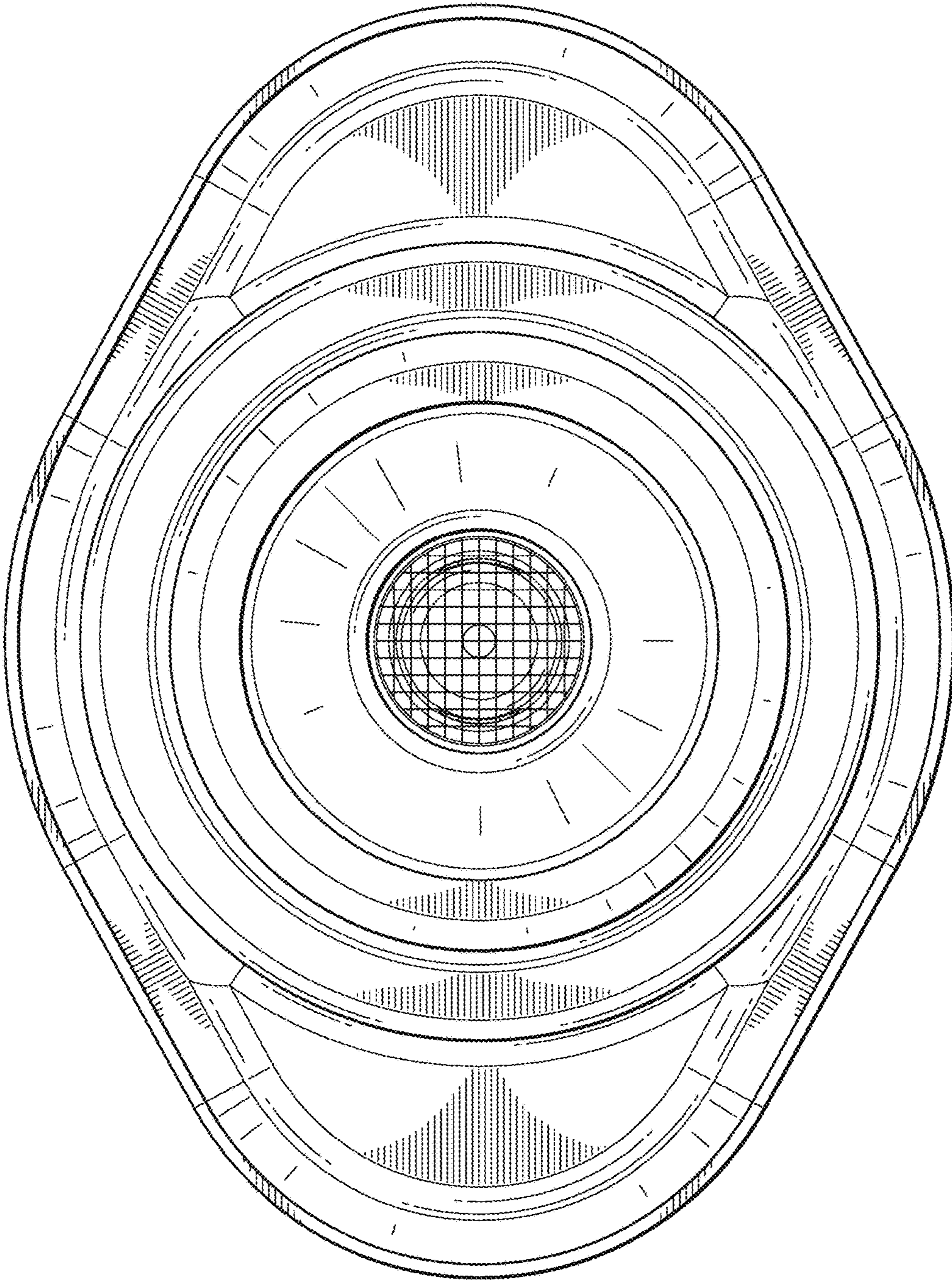


FIG. 3

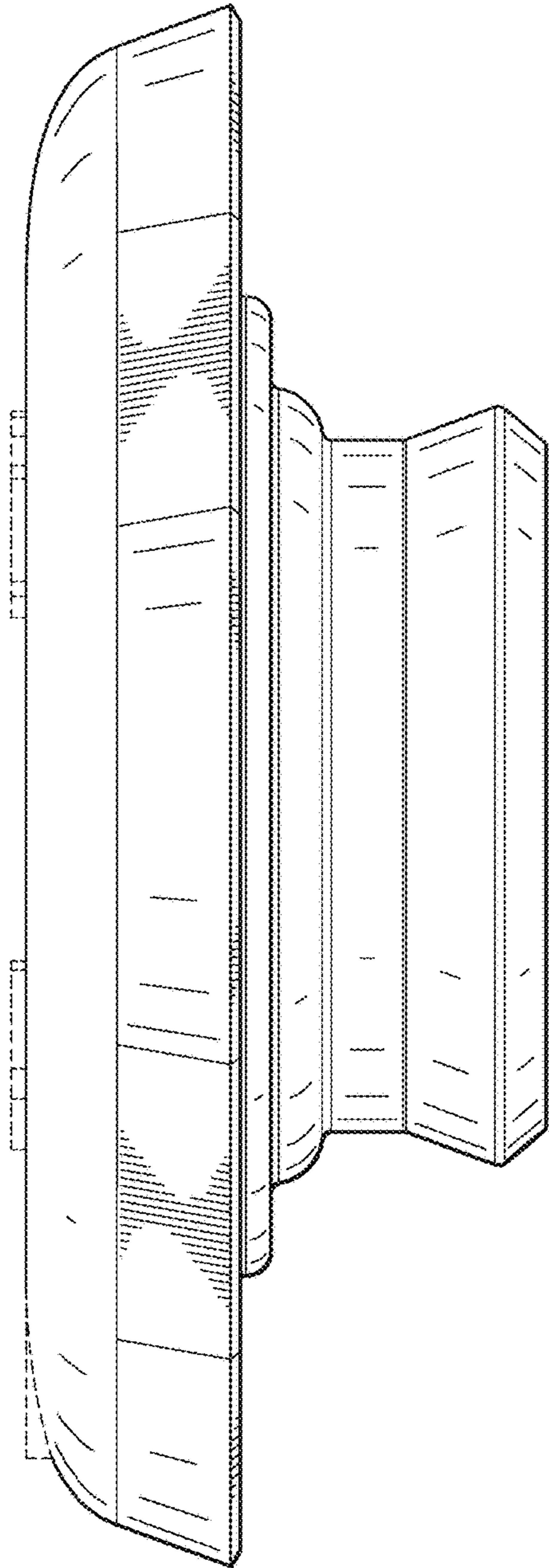


FIG. 4

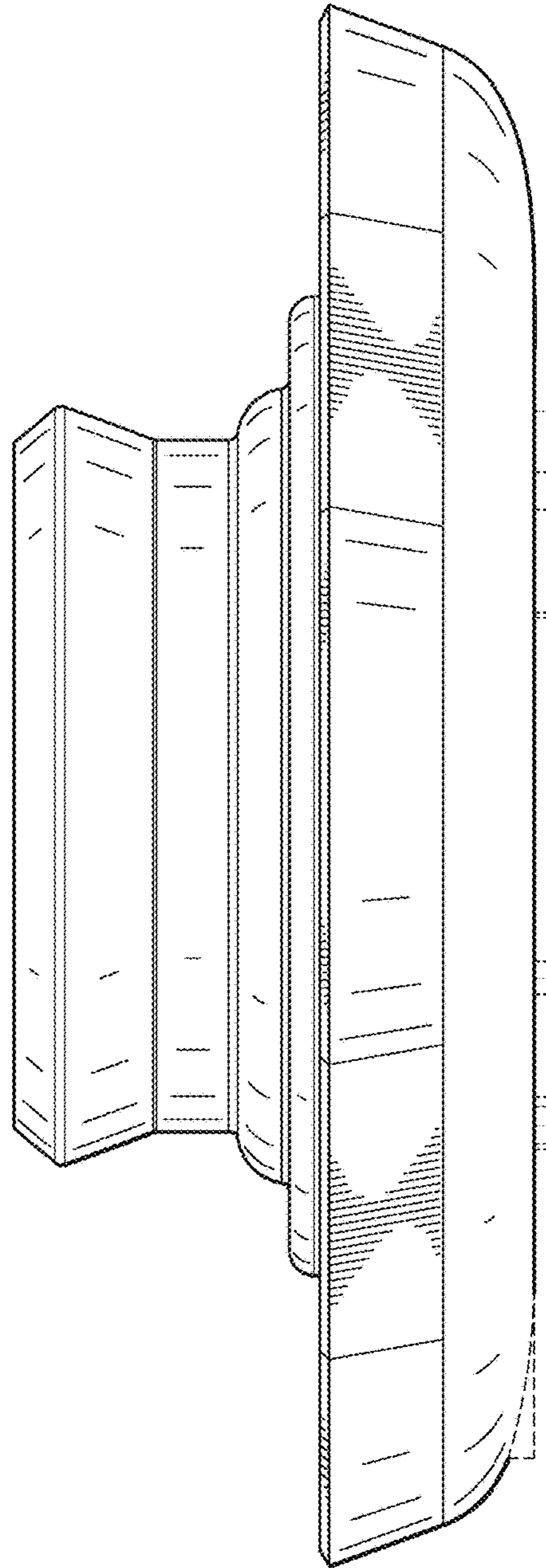


FIG. 5

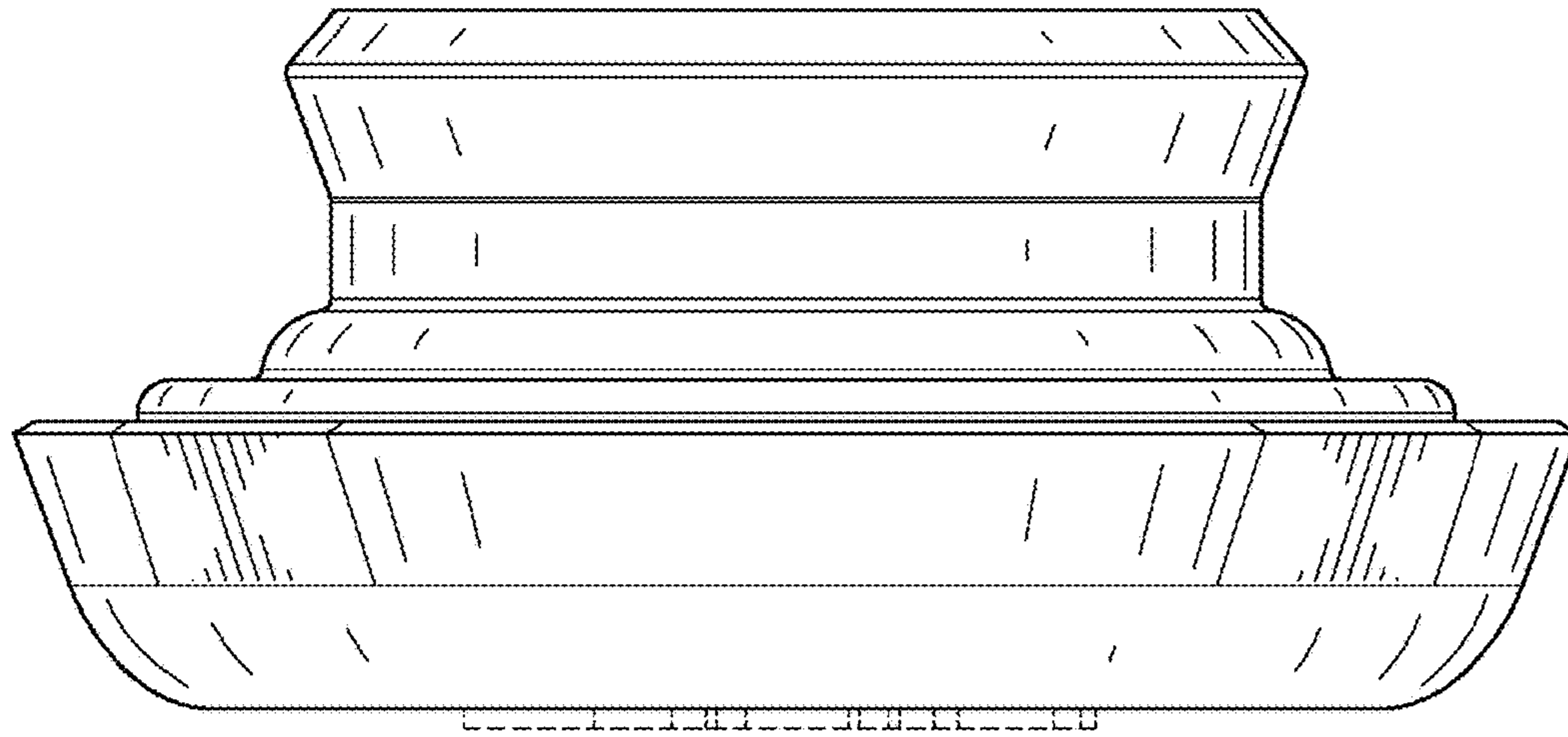


FIG. 6

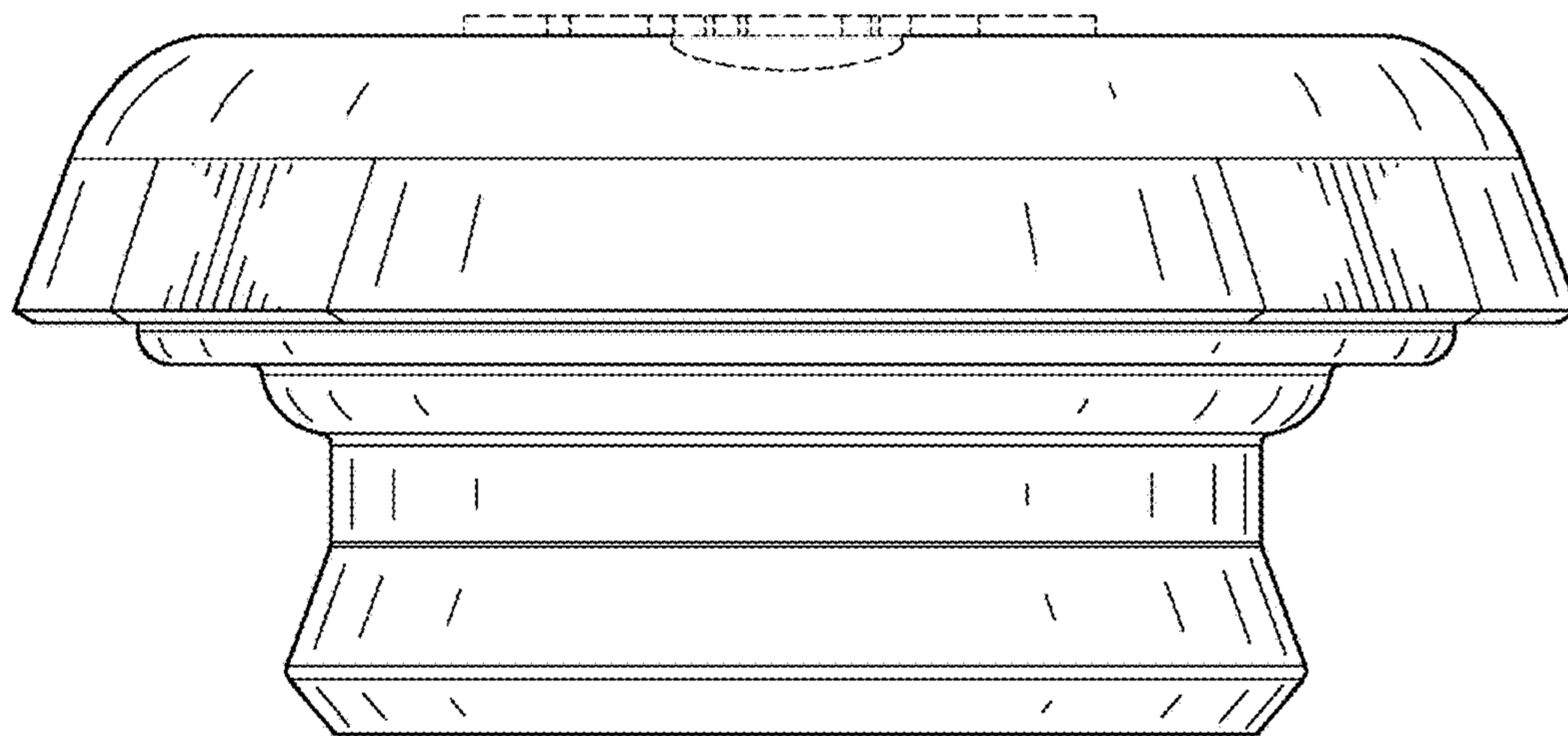


FIG. 7

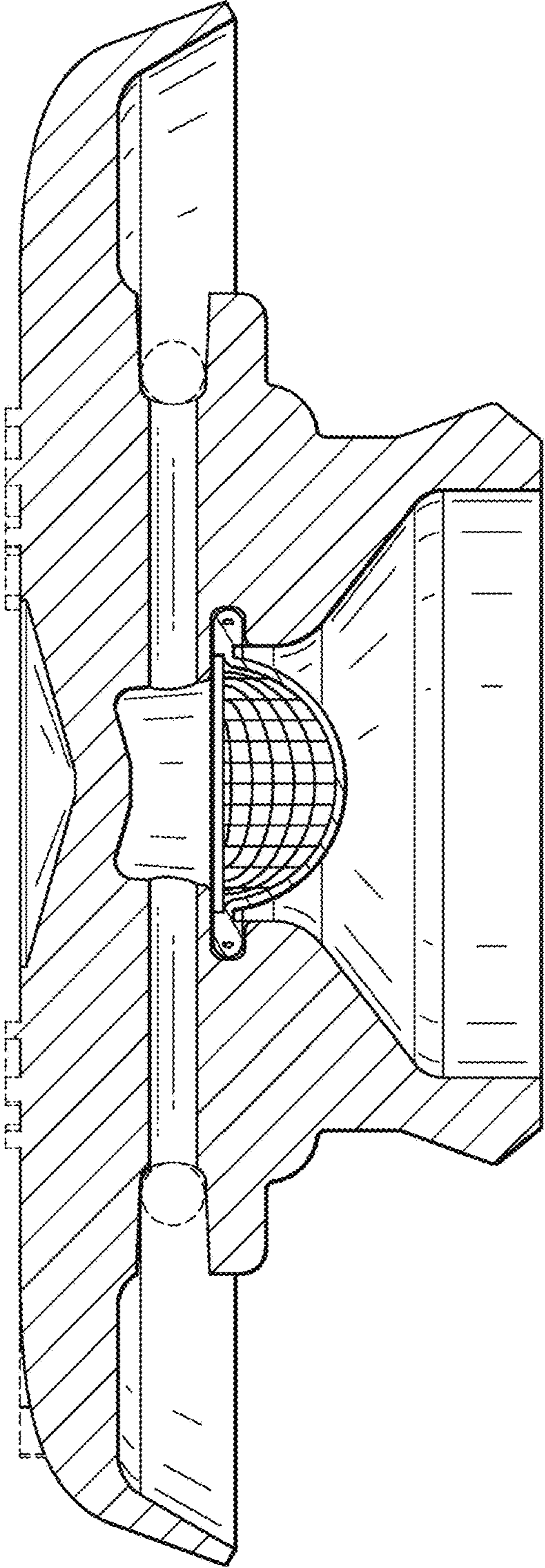


FIG. 8

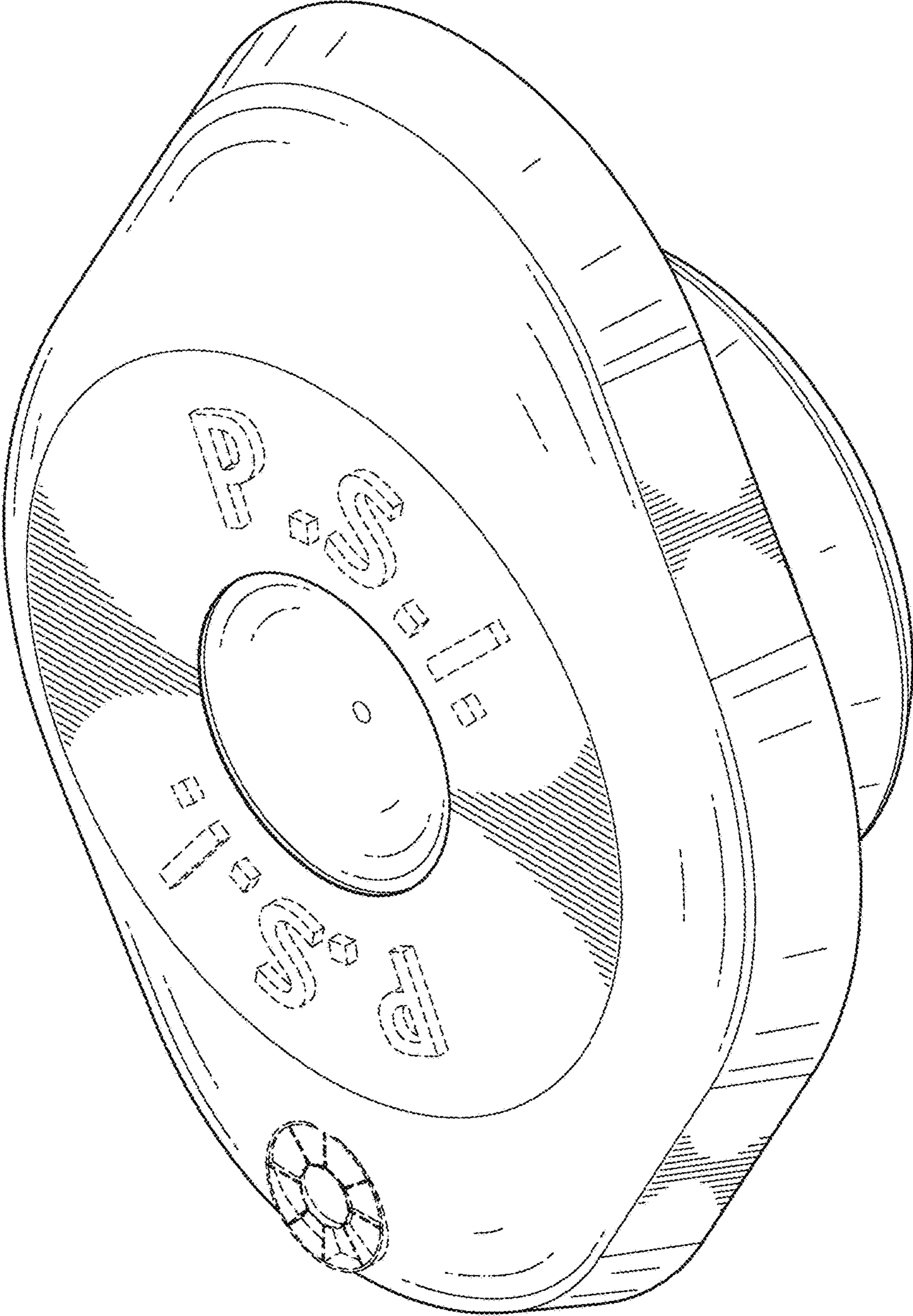


FIG. 9

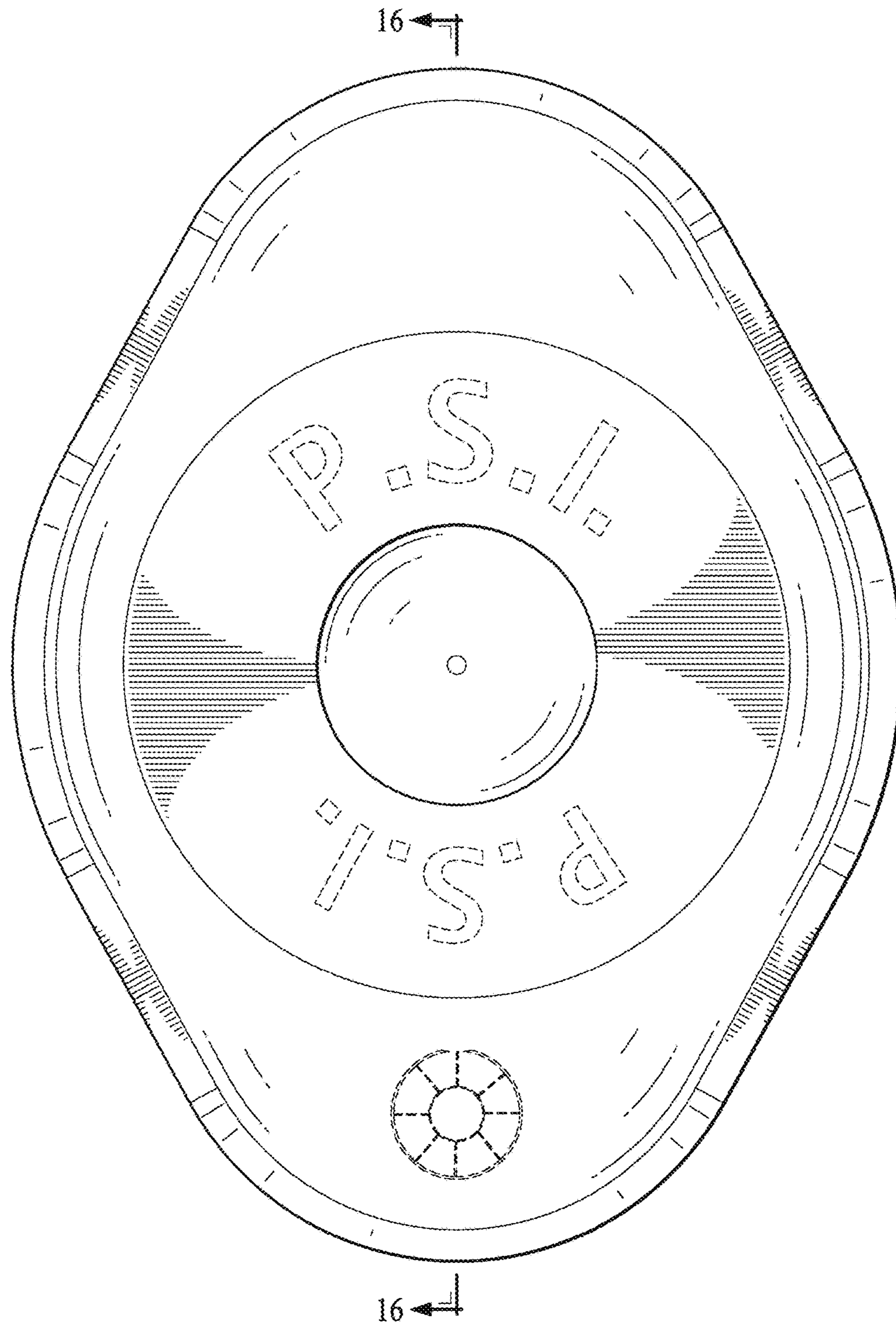


FIG. 10

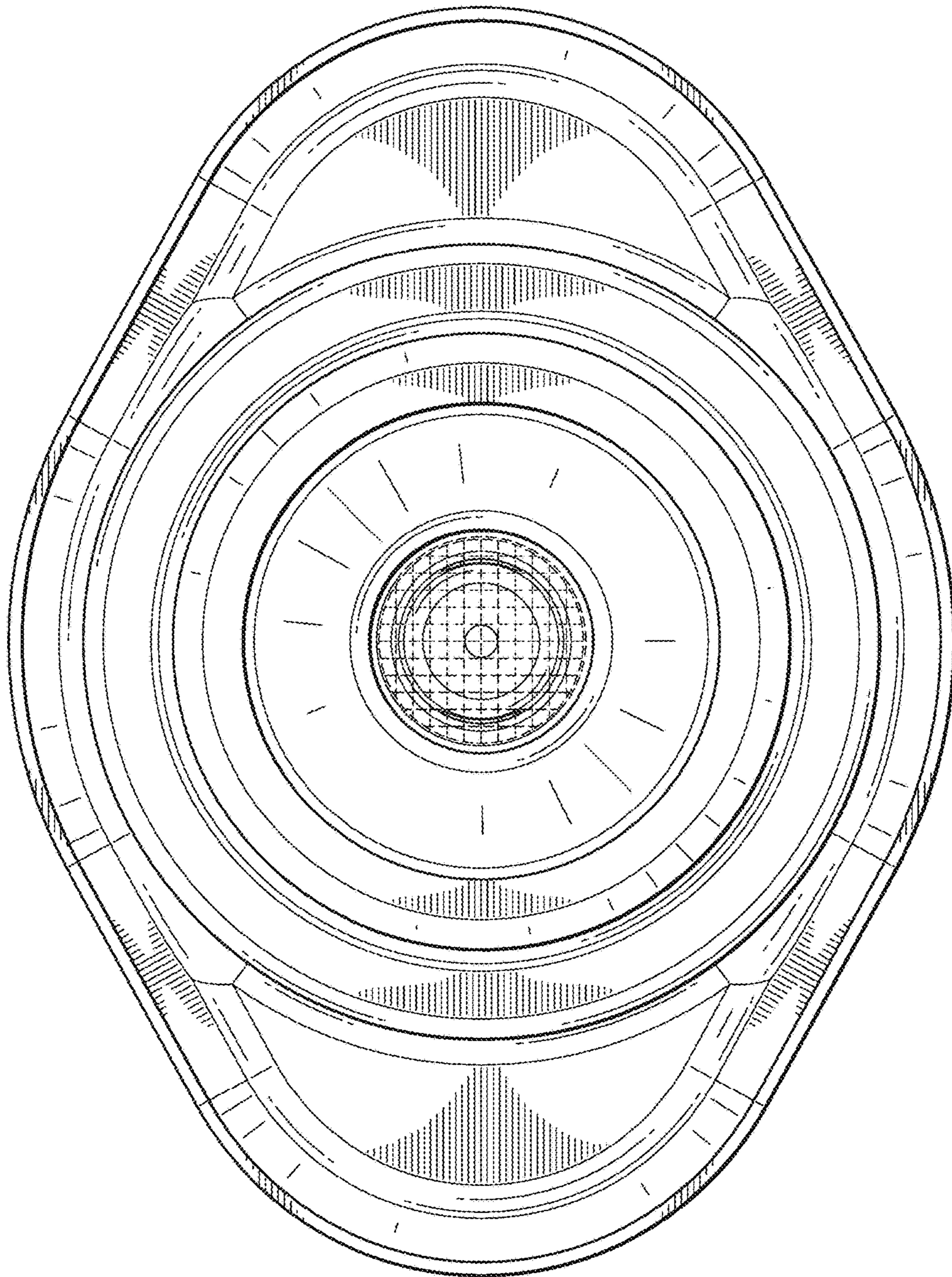


FIG. 11

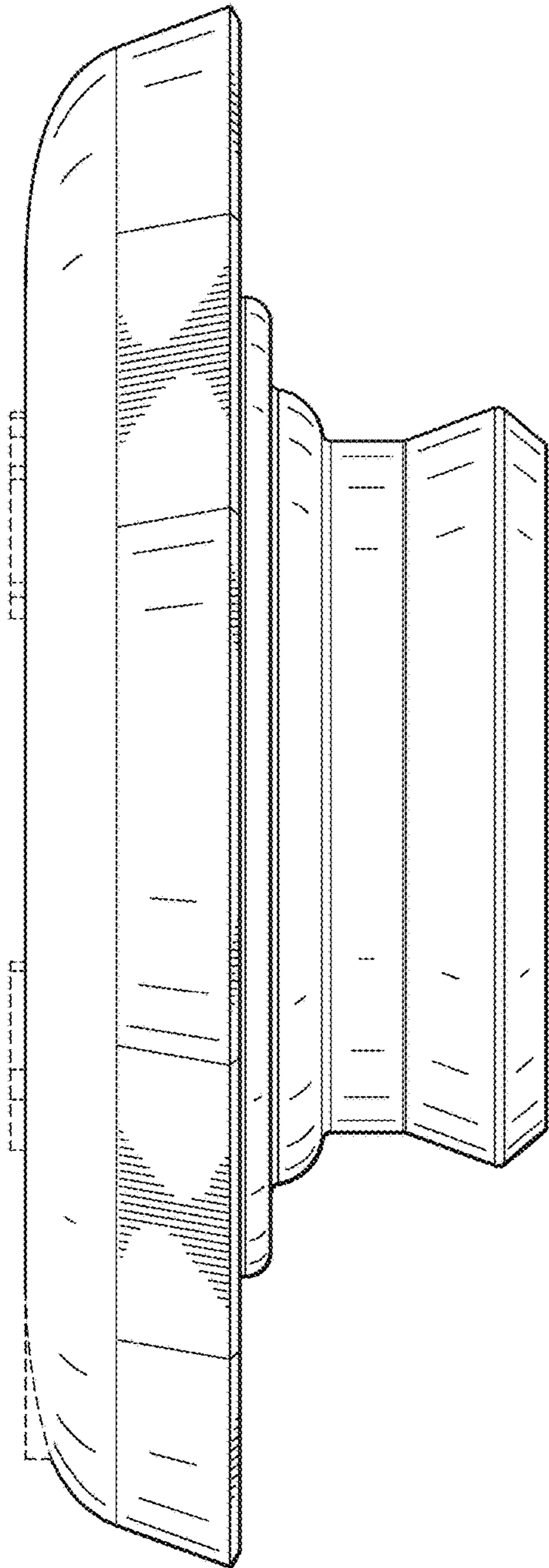


FIG. 12

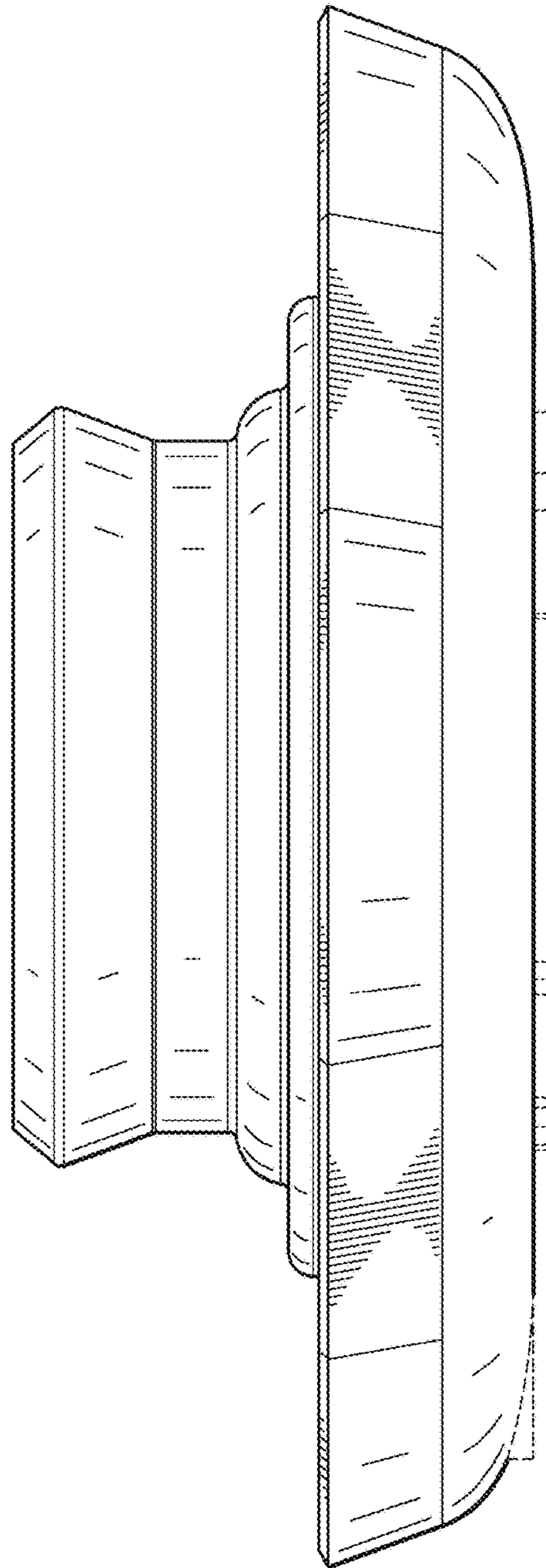


FIG. 13

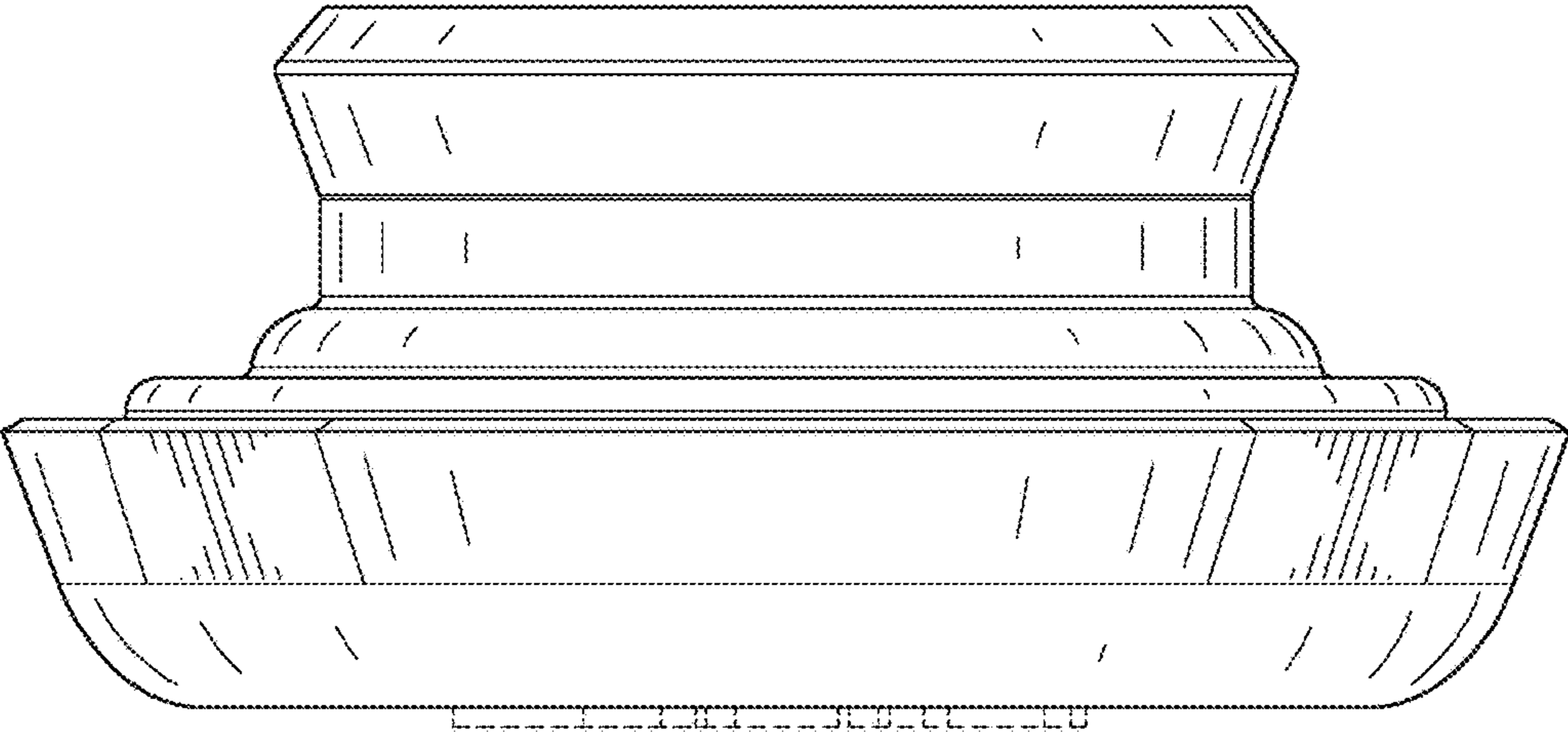


FIG. 14

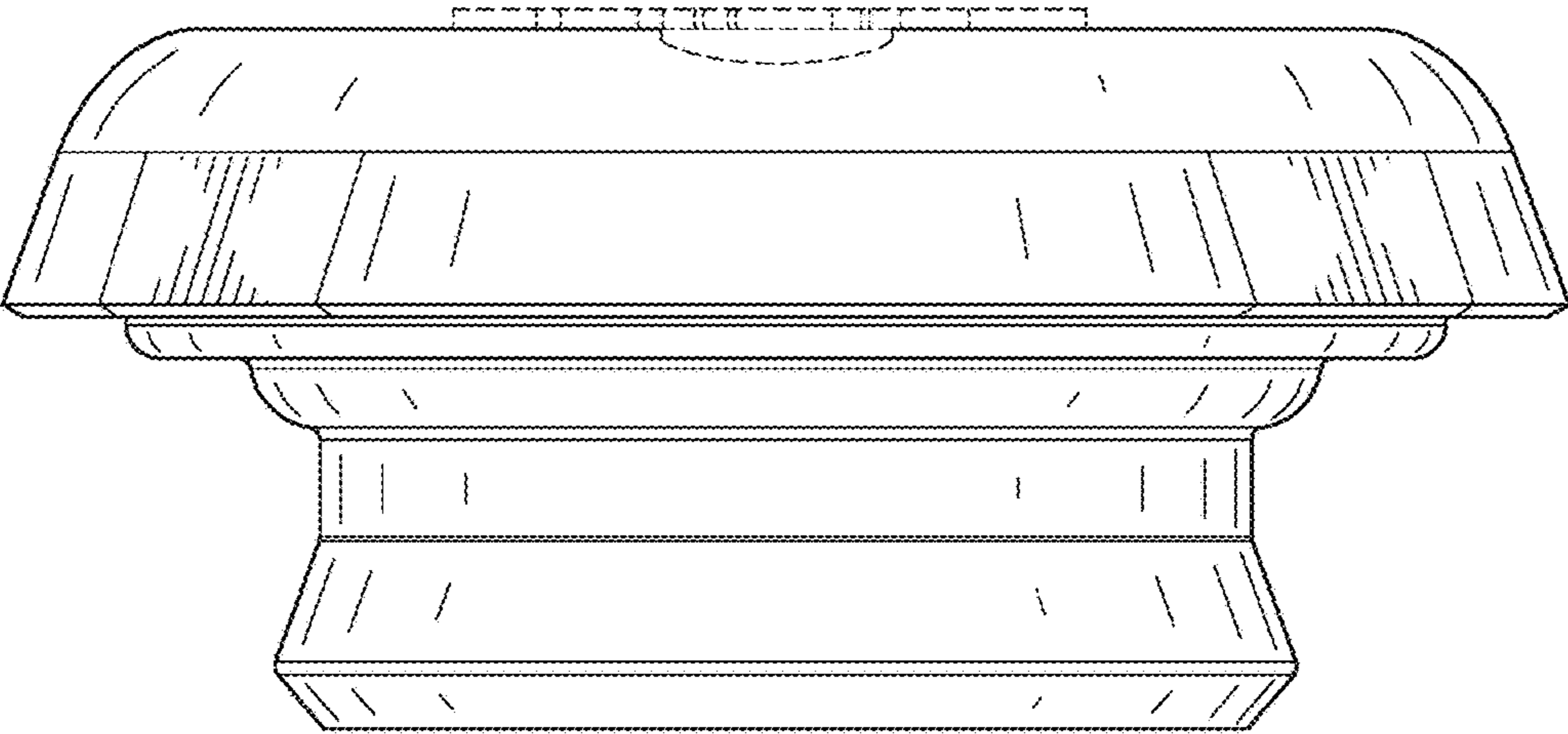


FIG. 15

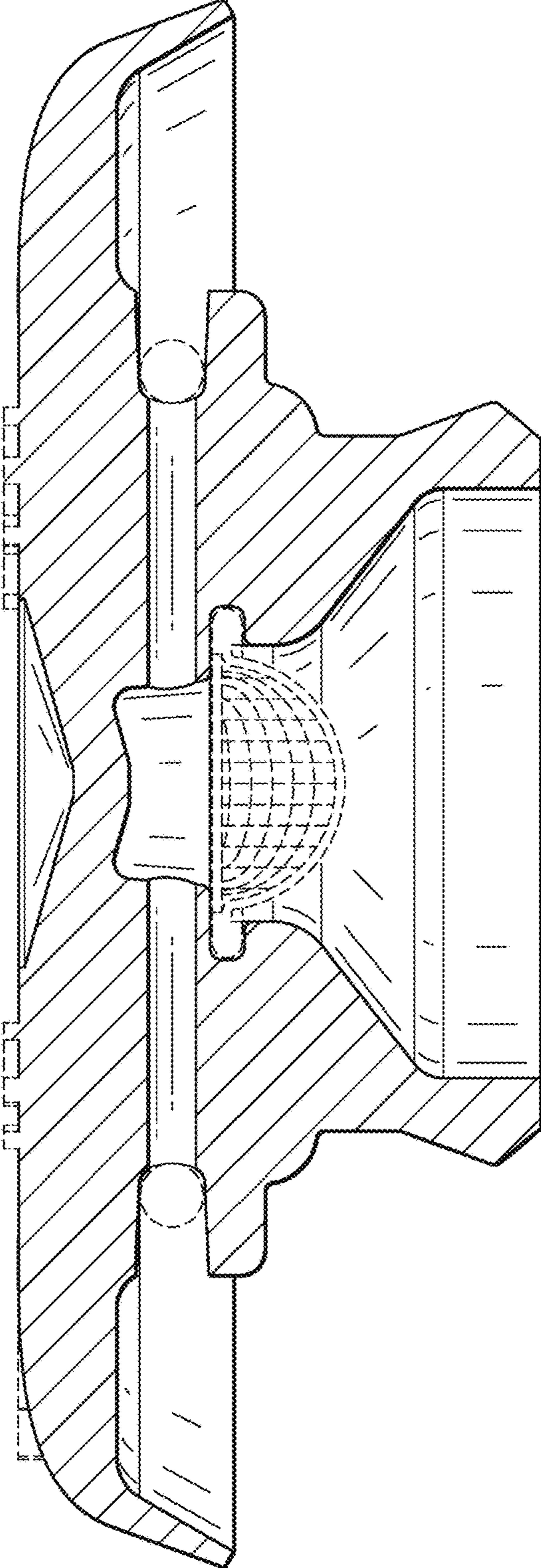


FIG. 16

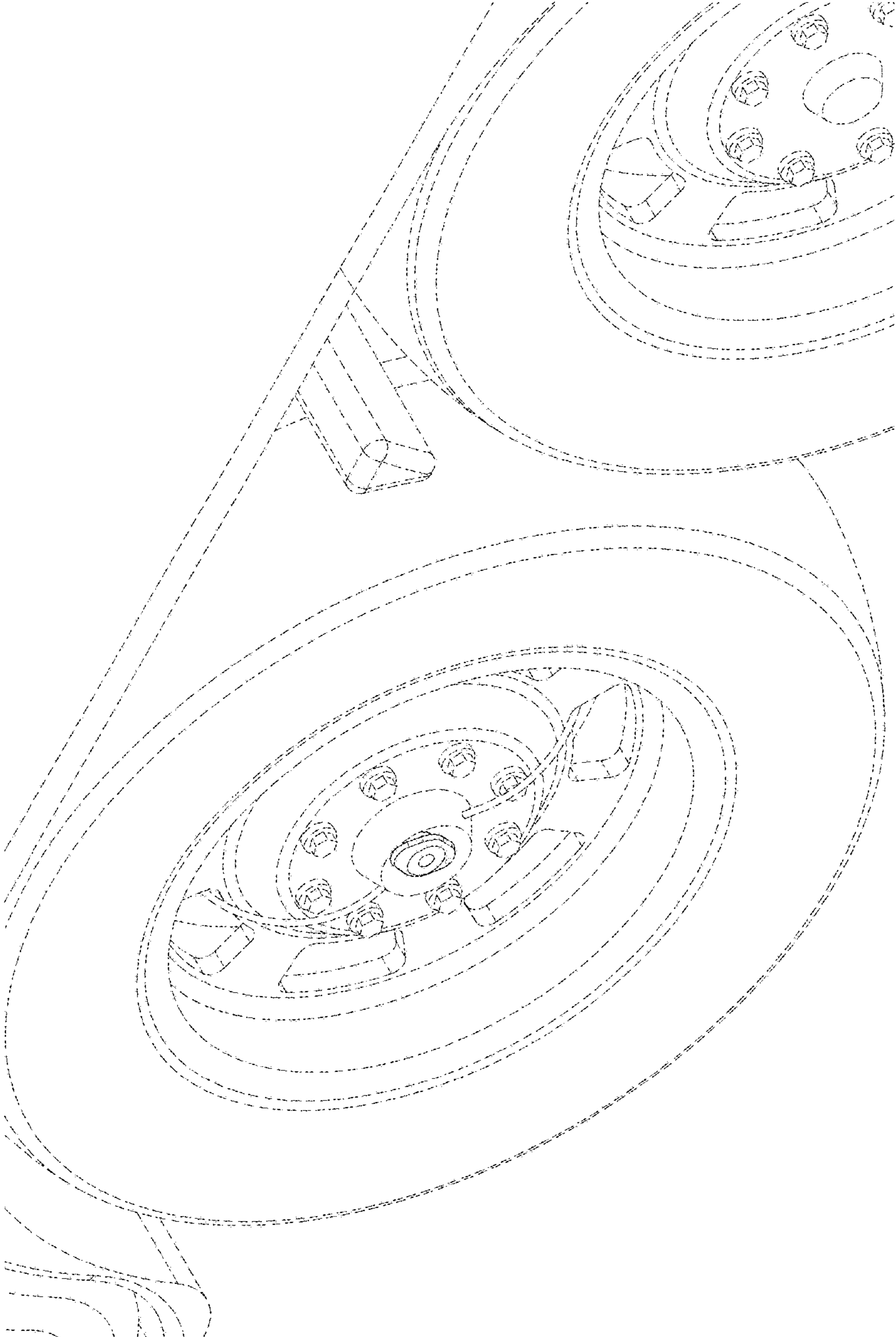


FIG. 17