



US00D850351S

(12) **United States Design Patent**  
**Wheel**

(10) **Patent No.:** **US D850,351 S**

(45) **Date of Patent:** **\*\* Jun. 4, 2019**

(54) **WHEEL**

(71) Applicant: **Jaguar Land Rover Limited**, Coventry (GB)

(72) Inventor: **Andrew Wheel**, Coventry (GB)

(73) Assignee: **Jaguar Land Rover Limited**, Whitley, Coventry (GB)

(\*\*) Term: **15 Years**

(21) Appl. No.: **29/666,388**

(22) Filed: **Oct. 12, 2018**

**Related U.S. Application Data**

(62) Division of application No. 29/603,187, filed on May 8, 2017, now Pat. No. Des. 833,951.

(30) **Foreign Application Priority Data**

Nov. 11, 2016 (EM) ..... 003459288-0002  
Nov. 11, 2016 (EM) ..... 003459288-0003

(51) **LOC (11) Cl.** ..... **12-16**

(52) **U.S. Cl.**  
USPC ..... **D12/211**

(58) **Field of Classification Search**  
USPC ..... D12/400, 204-213, 217, 501; D9/452, D9/538, 541, 546, 559, 669; D7/506, D7/539, 540, 556, 563, 567, 615, 675, D7/677; D21/763, 771, 779, 495, 561, D21/563  
CPC .... B60B 7/00; B60B 7/02; B60B 7/04; B60B 7/01; B60B 7/06; B60B 3/02; B60B 3/04; B60B 3/06; B60B 3/10; B60B 1/00; B60B 1/08; B60B 1/10; B60B 1/12  
See application file for complete search history.

(56) **References Cited**

U.S. PATENT DOCUMENTS

D539,722 S *	4/2007	Pfeiffer	.....	D12/211
D609,624 S *	2/2010	Matsubara	.....	D12/211
D617,717 S *	6/2010	Nordmann	.....	D12/211
D619,523 S *	7/2010	Gallert	.....	D12/209
D627,286 S *	11/2010	Gallert	.....	D12/209
D634,692 S *	3/2011	Stefanov	.....	D12/211
D635,077 S *	3/2011	Nordmann	.....	D12/209
D638,765 S *	5/2011	Yoon	.....	D12/211

(Continued)

*Primary Examiner* — Marie D. Fast Horse

(74) *Attorney, Agent, or Firm* — Wood Herron & Evans LLP

(57) **CLAIM**

The ornamental design for a wheel, as shown and described.

**DESCRIPTION**

FIG. 1 is a front left perspective view of a wheel according to the present invention;

FIG. 2 is a front right perspective view of the wheel shown in FIG. 1;

FIG. 3 is a front view thereof;

FIG. 4 is a left side view thereof, the right side being a mirror image thereof;

FIG. 5 is a rear view thereof;

FIG. 6 is a rear right perspective view thereof;

FIG. 7 is a rear left perspective view thereof;

FIG. 8 is a front left perspective view of a wheel for a vehicle according to a second embodiment of the present invention;

FIG. 9 is a front right perspective view of the wheel shown in FIG. 8;

FIG. 10 is a front view thereof;

FIG. 11 is a left side view thereof, the right side being a mirror image thereof;

FIG. 12 is a rear view thereof;

FIG. 13 is a rear right perspective view thereof; and,

FIG. 14 is a rear left perspective view thereof.

**1 Claim, 10 Drawing Sheets**



(56)

References Cited

U.S. PATENT DOCUMENTS

D671,060 S \* 11/2012 Baum ..... D12/209  
 D681,531 S \* 5/2013 Fetherston ..... D12/209  
 D682,179 S \* 5/2013 Badstuebner ..... D12/211  
 D686,965 S \* 7/2013 Pollmann ..... D12/211  
 D692,364 S \* 10/2013 Barnes ..... D12/209  
 D695,198 S \* 12/2013 Juergens ..... D12/211  
 D695,671 S \* 12/2013 Chung ..... D12/211  
 D697,858 S \* 1/2014 Kito ..... D12/209  
 D700,124 S \* 2/2014 Gallert ..... D12/211  
 D705,152 S \* 5/2014 Nakamura ..... D12/209  
 D707,165 S \* 6/2014 Wheel ..... D12/209  
 D713,317 S \* 9/2014 Akojima ..... D12/211  
 D714,204 S \* 9/2014 Garbas ..... D12/204  
 D734,233 S \* 7/2015 Wheel ..... D12/209  
 D736,689 S \* 8/2015 Lemke ..... D12/211  
 D740,734 S \* 10/2015 Wheel ..... D12/209  
 D744,930 S \* 12/2015 Chung ..... D12/211

D745,842 S \* 12/2015 Wheel ..... D12/209  
 D748,553 S \* 2/2016 Miyazawa ..... D12/209  
 D752,499 S \* 3/2016 Sze ..... D12/211  
 D759,565 S \* 6/2016 Cybulski ..... D12/209  
 D761,182 S \* 7/2016 Valencia Pollex ..... D12/211  
 D764,999 S \* 8/2016 Song ..... D12/209  
 D774,438 S \* 12/2016 Valencia Pollex ..... D12/209  
 D776,596 S \* 1/2017 Wolff ..... D12/211  
 D781,205 S \* 3/2017 O'Neill ..... D12/211  
 D785,533 S \* 5/2017 Pires ..... D12/209  
 D788,678 S \* 6/2017 Svensson ..... D12/211  
 D795,148 S \* 8/2017 Ariga ..... D12/209  
 D795,151 S \* 8/2017 Valencia Pollex ..... D12/209  
 D795,777 S \* 8/2017 Valencia Pollex ..... D12/211  
 D798,214 S \* 9/2017 Kolb ..... D12/211  
 D803,754 S \* 11/2017 Chung ..... D12/211  
 D830,936 S \* 10/2018 Wheel ..... D12/209  
 D830,940 S \* 10/2018 Peat ..... D12/211  
 D833,951 S \* 11/2018 Wheel ..... D12/211

\* cited by examiner



FIG. 1



FIG. 2



FIG. 3

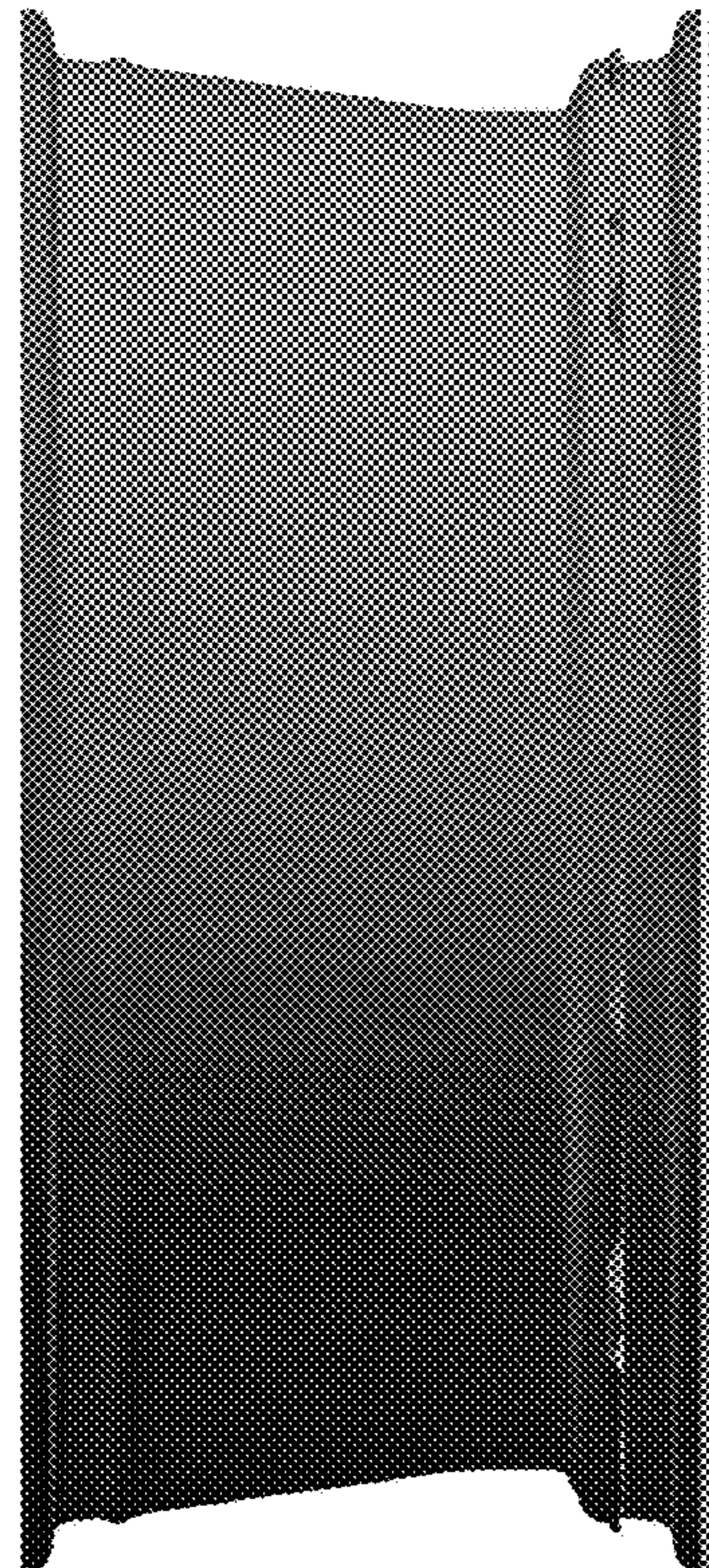


FIG. 4



FIG. 5



FIG. 6



FIG. 7



FIG. 8





FIG. 9



FIG. 10

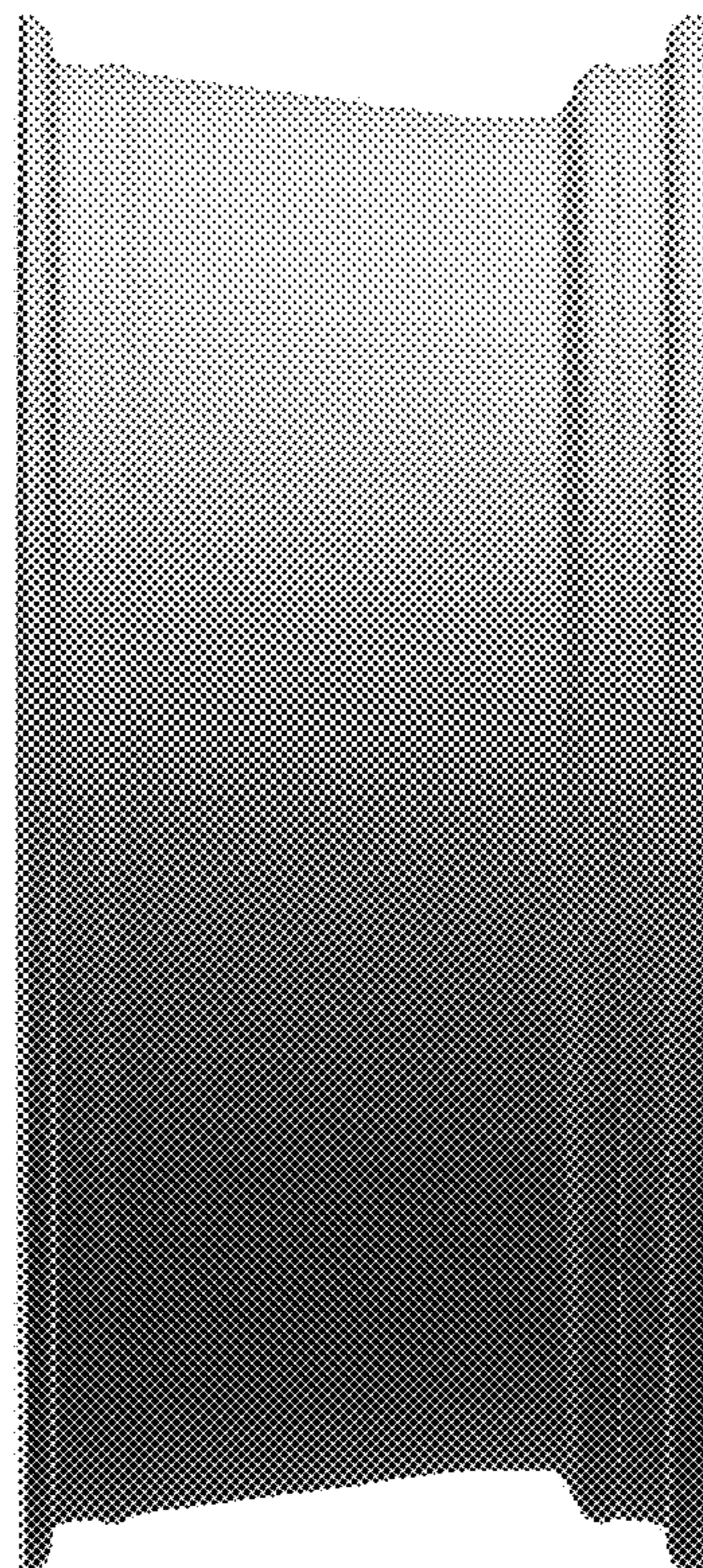


FIG. 11

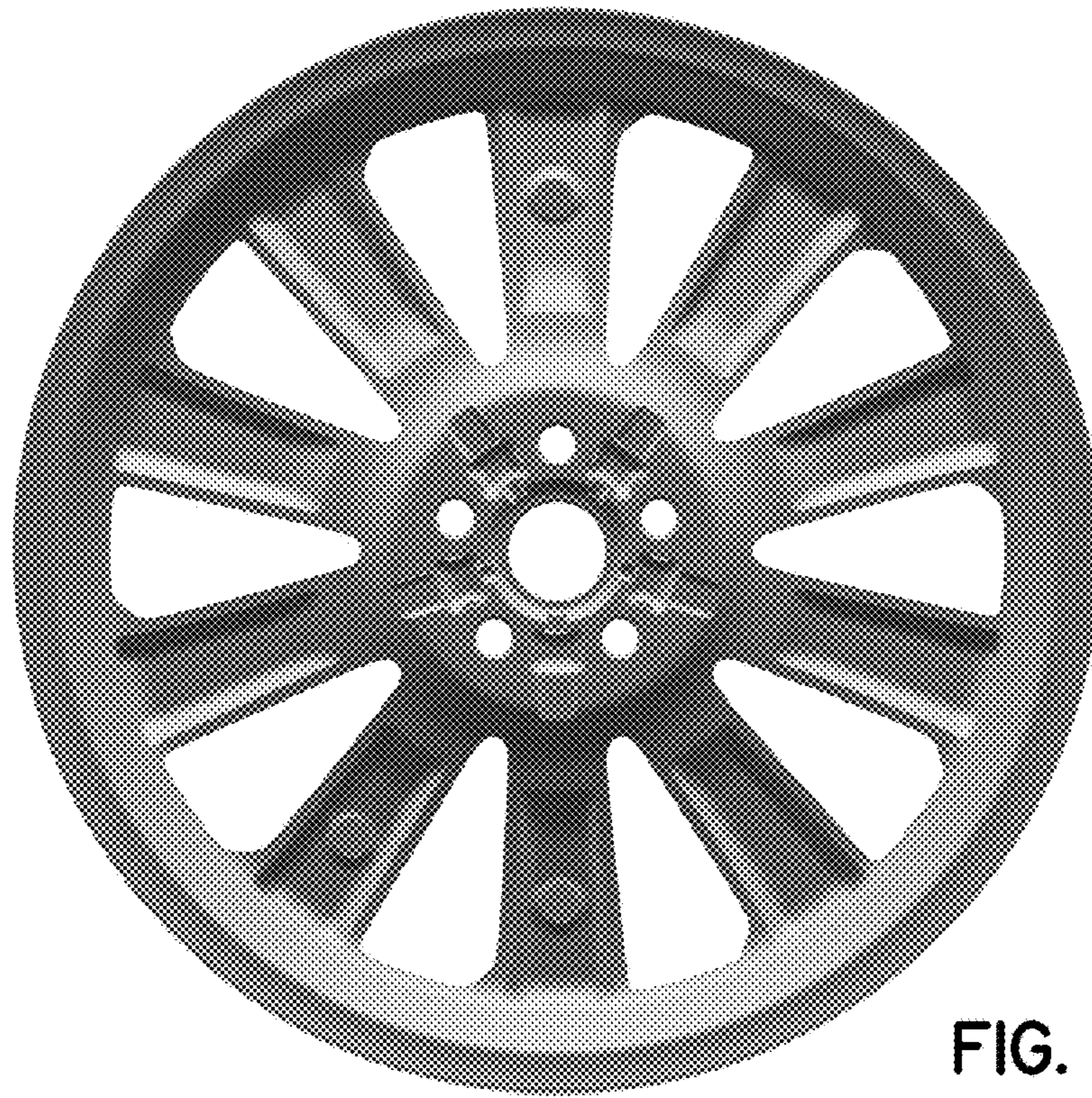


FIG. 12



FIG. 13



FIG. 14