



US00D850350S

(12) **United States Design Patent**
Tran

(10) **Patent No.:** **US D850,350 S**

(45) **Date of Patent:** **** Jun. 4, 2019**

(54) **WHEEL**

(71) Applicant: **Wheel Pros, LLC**, Greenwood Village, CO (US)

(72) Inventor: **Peter Tran**, Lake Hughes, CA (US)

(**) Term: **15 Years**

(21) Appl. No.: **29/584,663**

(22) Filed: **Nov. 16, 2016**

(51) **LOC (11) Cl.** **12-16**

(52) **U.S. Cl.**
USPC **D12/211**

(58) **Field of Classification Search**
USPC D12/204–213
CPC B60B 7/00; B60B 7/02; B60B 7/04; B60B 7/01; B60B 7/06; B60B 3/02; B60B 3/04; B60B 3/06; B60B 3/10; B60B 1/00; B60B 1/08; B60B 1/10; B60B 1/12
See application file for complete search history.

(56) **References Cited**

U.S. PATENT DOCUMENTS

D466,067 S *	11/2002	Muzzarelli	D12/211
D480,038 S *	9/2003	Oh	D12/211
D486,110 S *	2/2004	Elmitt	D12/211
D501,440 S *	2/2005	Pfeiffer	D12/211
D553,067 S *	10/2007	Muzzarelli	D12/211
D603,778 S *	11/2009	Chung	D12/211
D604,223 S *	11/2009	Dilber	D12/211
D619,072 S *	7/2010	Gallert	D12/211
D624,478 S *	9/2010	Zhao	D12/211

D638,767 S *	5/2011	Groom	D12/211
D680,048 S *	4/2013	Zhao	D12/211
D682,766 S *	5/2013	Zhao	D12/211
D736,136 S *	8/2015	Hale, Jr.	D12/213
D741,241 S *	10/2015	Hale, Jr.	D12/211
D742,295 S *	11/2015	Zhao	D12/211
D742,799 S *	11/2015	Zhao	D12/211
D749,030 S *	2/2016	Zhao	D12/211
D779,408 S *	2/2017	Chung	D12/211
D786,160 S *	5/2017	Youssef	D12/211
D792,313 S *	7/2017	Langhals	D12/211
D792,829 S *	7/2017	Kim	D12/211
D802,509 S *	11/2017	Tran	D12/209
D821,285 S *	6/2018	Zhao	D12/211
D840,310 S *	2/2019	Zhao	D12/209
D842,197 S *	3/2019	Han	D12/209

* cited by examiner

Primary Examiner — Stacia A Cadmus

(74) *Attorney, Agent, or Firm* — Eric Hanscom

(57) **CLAIM**

The ornamental design for a wheel, as shown and described.

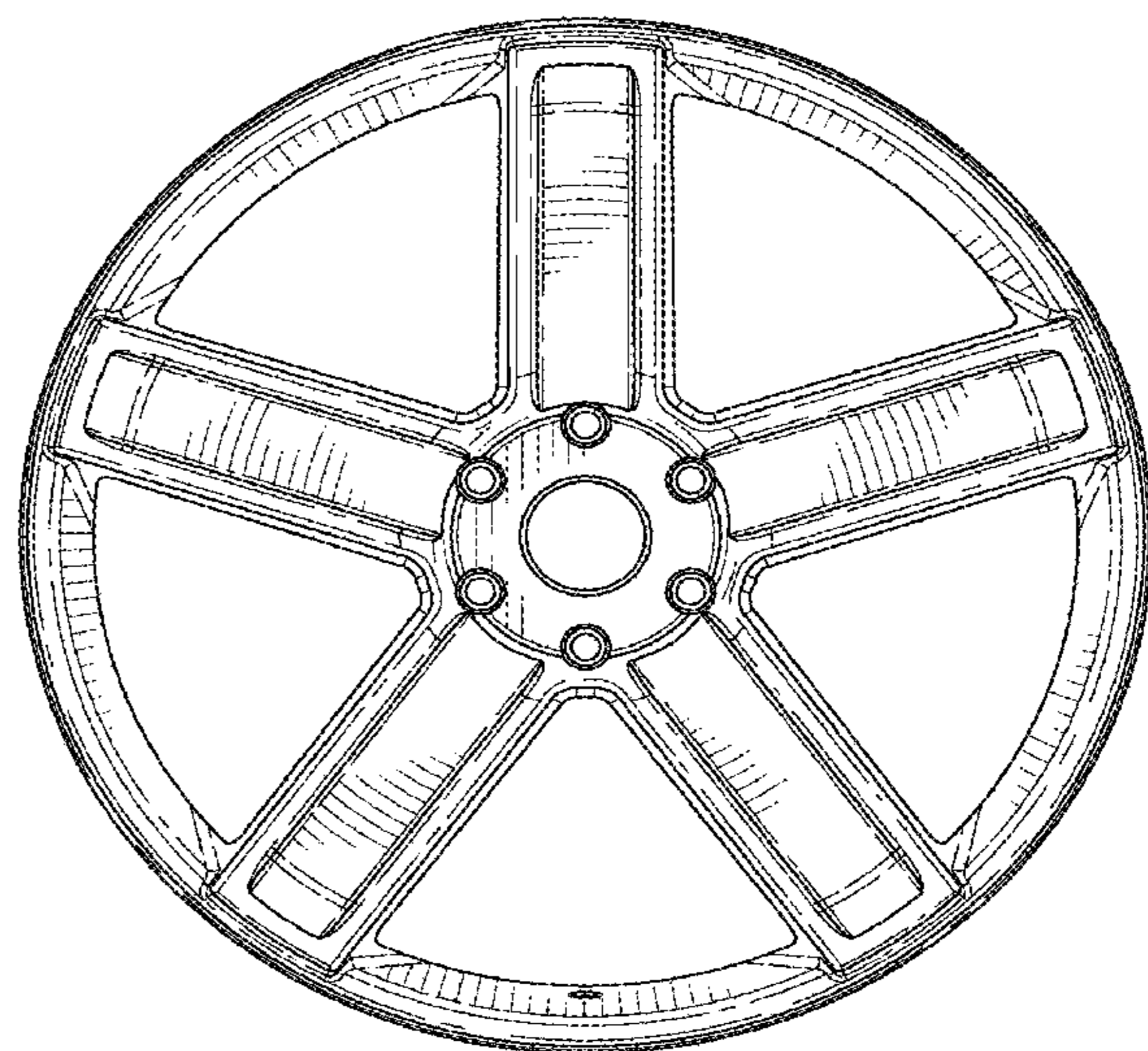
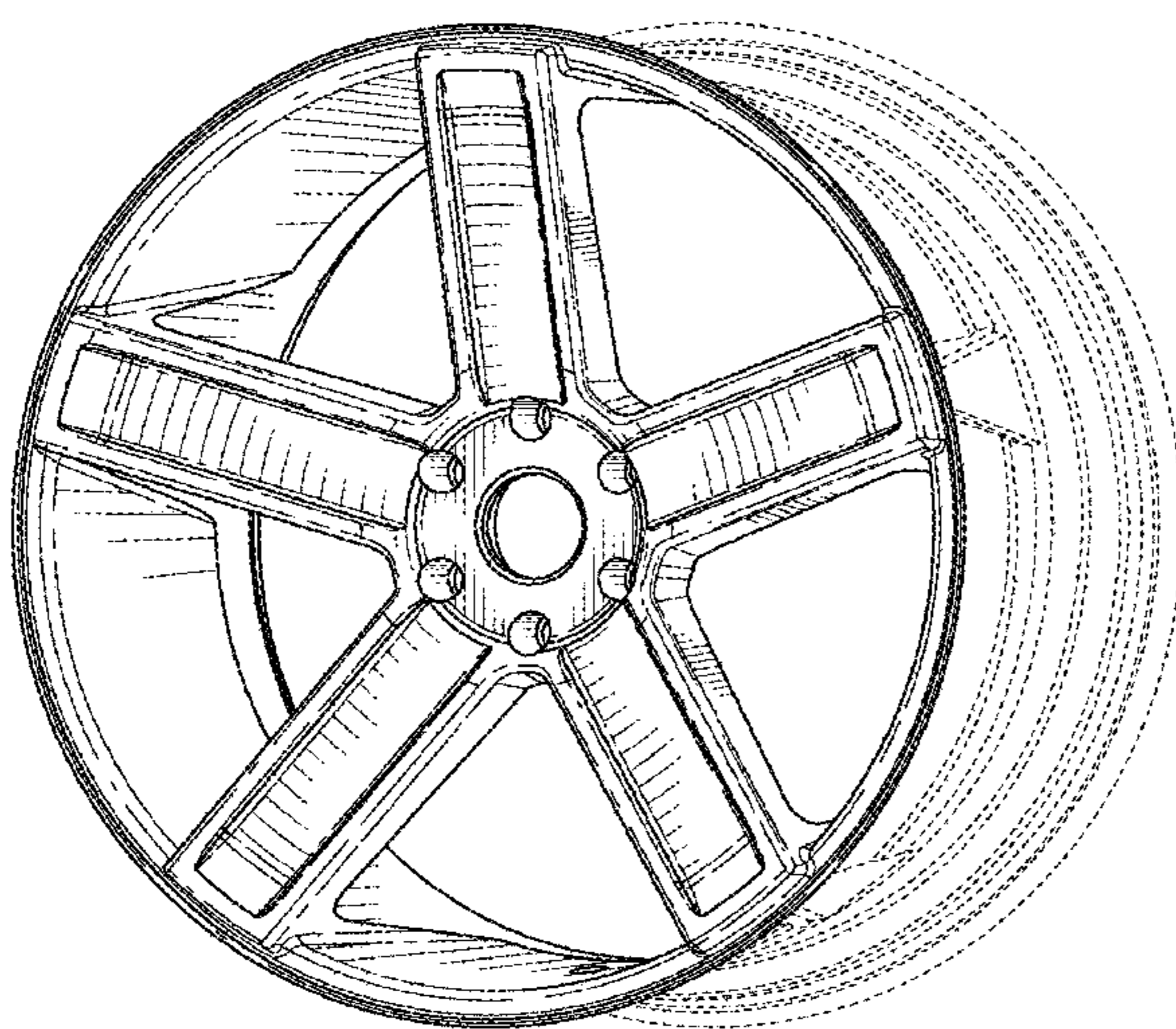
DESCRIPTION

FIG. 1 is a perspective view of a wheel showing my new design; and,

FIG. 2 is a front view thereof.

Dashed lines represent material that is not claimed by this patent, and are for purposes of illustration only. Applicant is claiming the front portion of the wheel only and makes no claim to the ornamental design of the sides or back of the wheel.

1 Claim, 2 Drawing Sheets



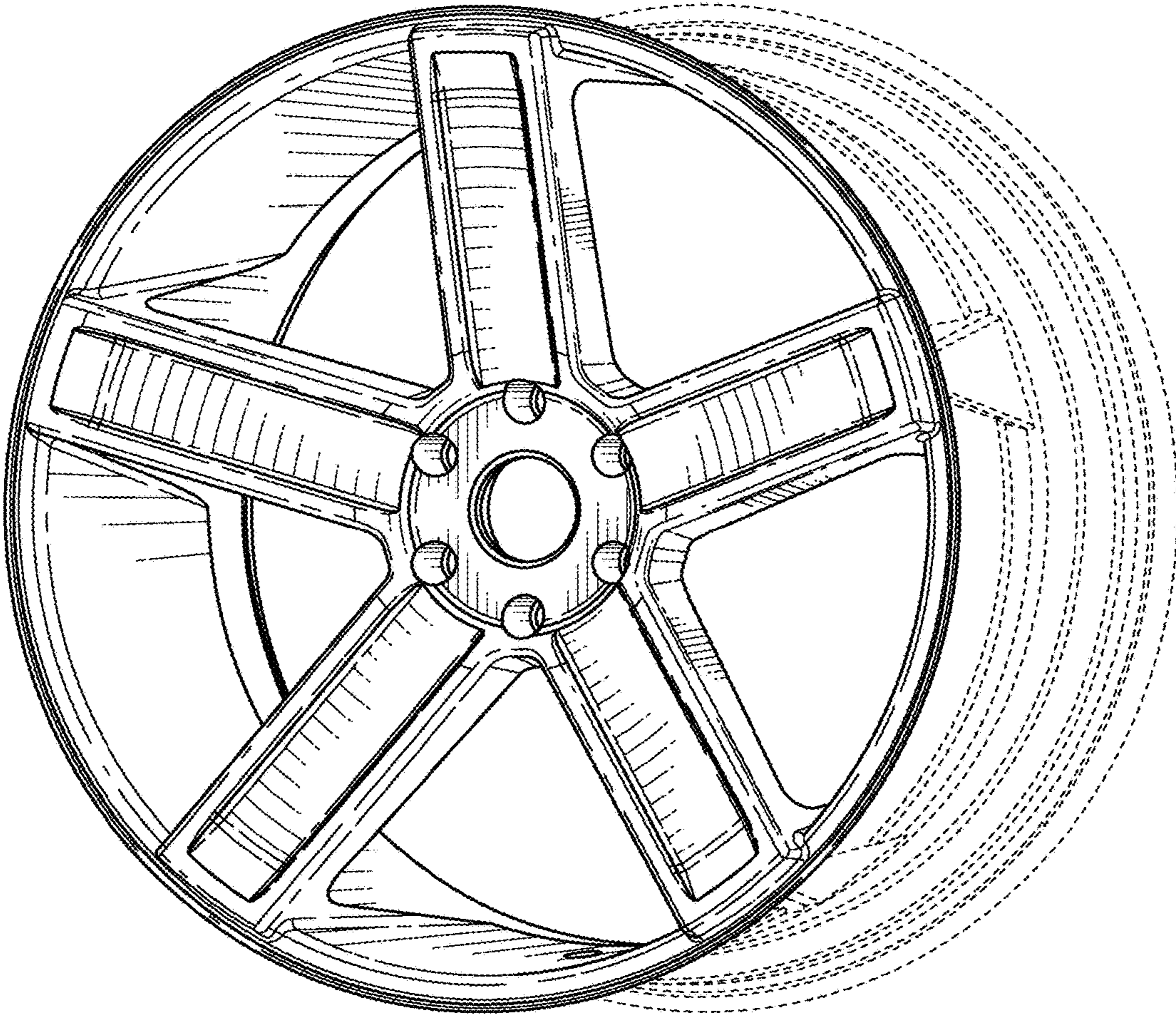


FIG. 1

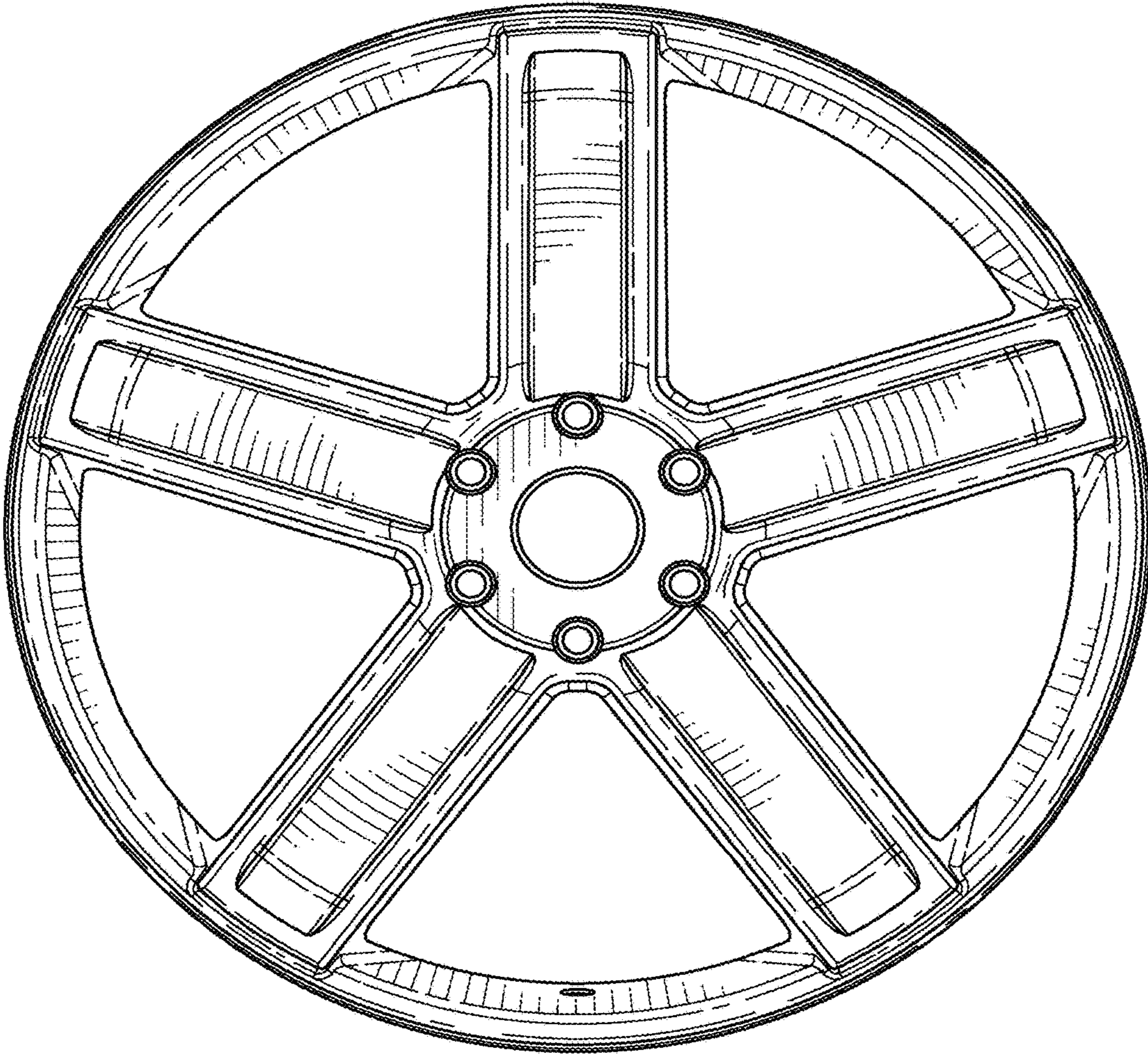


FIG. 2