



US00D850349S

(12) **United States Design Patent**
Lickliter

(10) **Patent No.:** **US D850,349 S**

(45) **Date of Patent:** **** Jun. 4, 2019**

(54) **WHEEL**

(71) Applicant: **Wheel Pros, LLC**, Greenwood Village,
CO (US)

(72) Inventor: **Hans Lickliter**, Canyon Country, CA
(US)

(**) Term: **15 Years**

(21) Appl. No.: **29/648,932**

(22) Filed: **May 24, 2018**

(51) **LOC (11) Cl.** **12-16**

(52) **U.S. Cl.**
USPC **D12/209**

(58) **Field of Classification Search**
USPC D12/204–213
CPC B60B 7/00; B60B 7/02; B60B 7/04; B60B
7/01; B60B 7/06; B60B 3/02; B60B 3/04;
B60B 3/06; B60B 3/10; B60B 1/00;
B60B 1/08; B60B 1/10; B60B 1/12
See application file for complete search history.

(56) **References Cited**

U.S. PATENT DOCUMENTS

D548,165 S * 8/2007 Young D12/211
D569,778 S * 5/2008 Kim D12/211

D590,315 S * 4/2009 Chung D12/209
D719,889 S * 12/2014 Hodges D12/209
D722,548 S * 2/2015 Chung D12/211
D727,829 S * 4/2015 Chung D12/211
D763,163 S * 8/2016 Chung D12/211
D763,772 S * 8/2016 Chung D12/211
D783,498 S * 4/2017 Platto D12/211
D787,407 S * 5/2017 Chung D12/211
D790,427 S * 6/2017 Palana D12/211
D803,130 S * 11/2017 Taylor D12/209
D823,777 S * 7/2018 Ninov D12/211
D824,317 S * 7/2018 Harriton D12/211
D842,184 S * 3/2019 Chung D12/209

* cited by examiner

Primary Examiner — Stacia A Cadmus

(74) *Attorney, Agent, or Firm* — Eric Hanscom

(57) **CLAIM**

The ornamental design for a wheel, as shown and described.

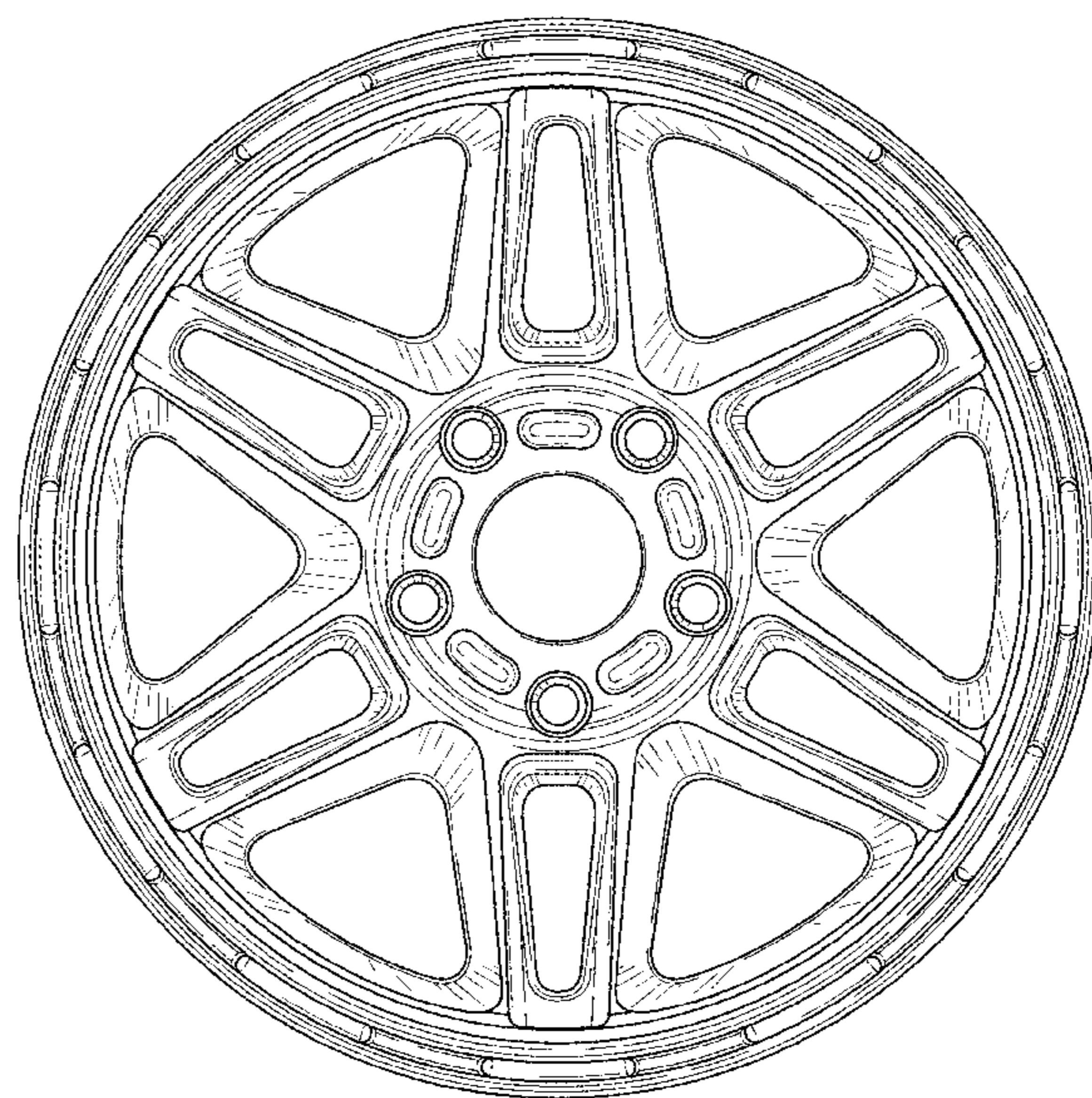
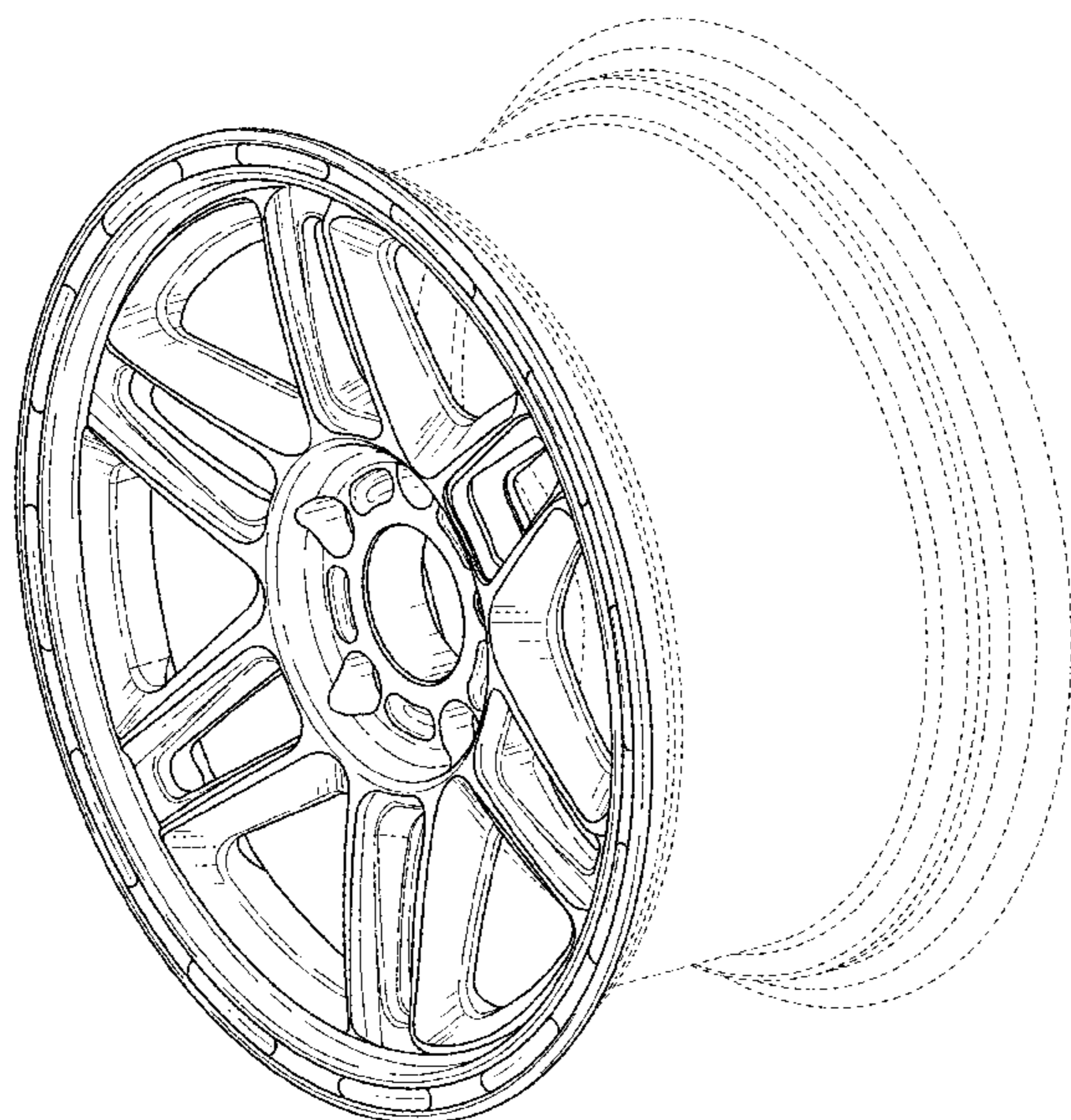
DESCRIPTION

FIG. 1 is a perspective view of a wheel showing my new design; and,

FIG. 2 is a front view thereof.

In the drawings, broken lines shown in the drawings depict environmental subject matter only and form no part of the claimed design.

1 Claim, 2 Drawing Sheets



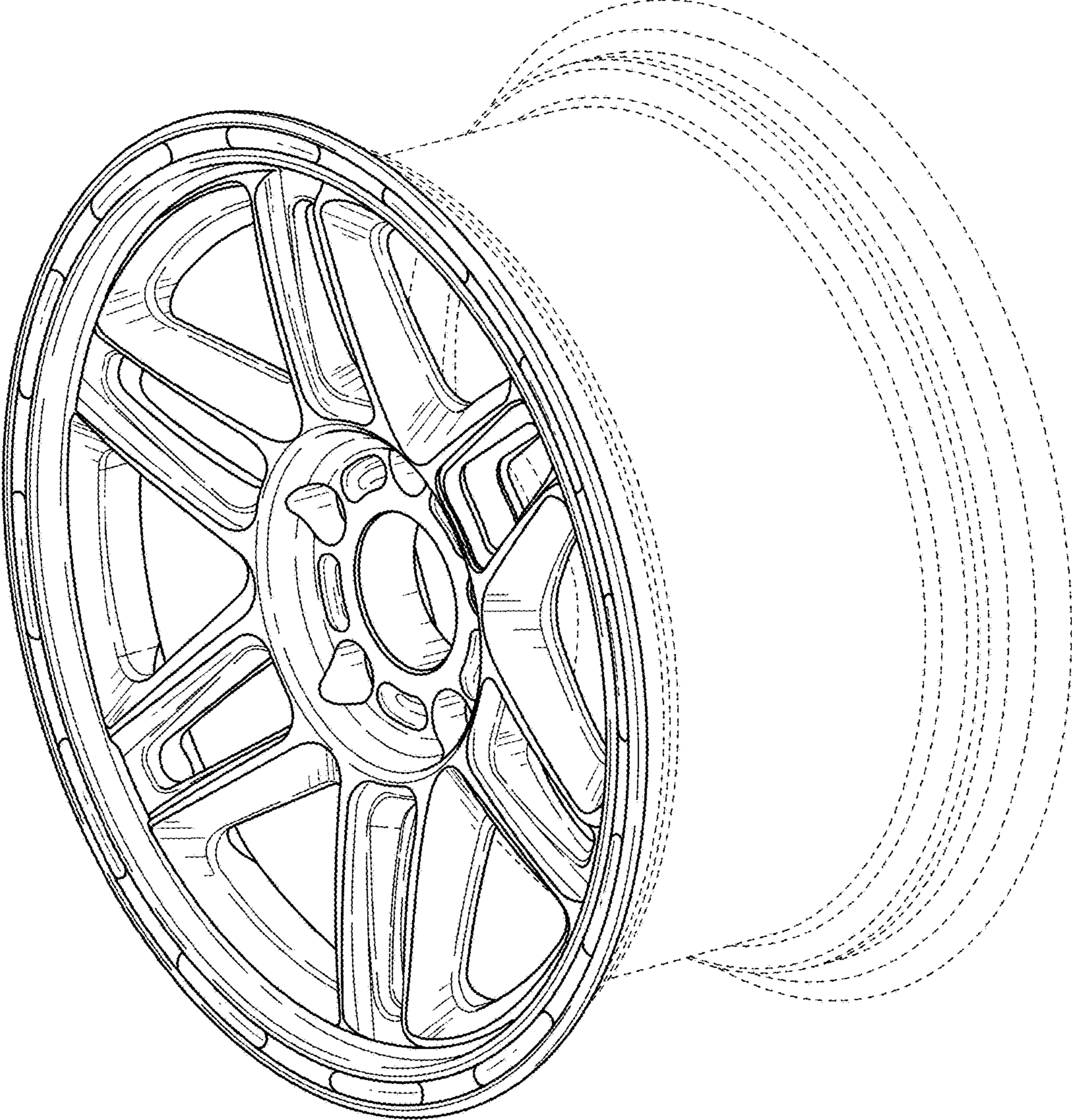


FIG. 1

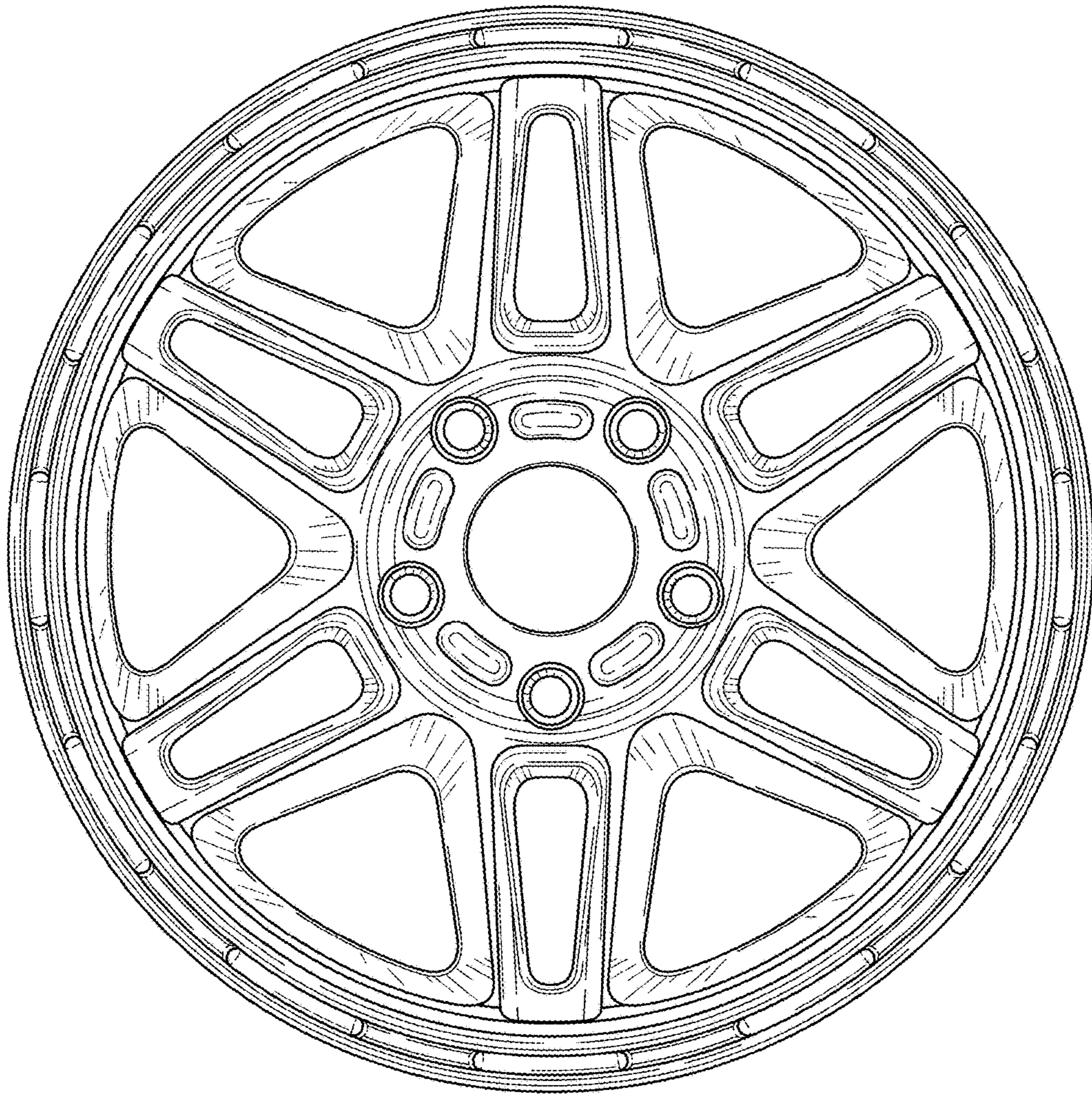


FIG. 2