



US00D850348S

(12) **United States Design Patent**  
**Smith**

(10) **Patent No.:** **US D850,348 S**

(45) **Date of Patent:** **\*\* Jun. 4, 2019**

(54) **WHEEL**

(71) Applicant: **Jaguar Land Rover Limited**, Whitley,  
Coventry (GB)

(72) Inventor: **Luke Smith**, Coventry (GB)

(73) Assignee: **Jaguar Land Rover Limited**, Whitley,  
Coventry (GB)

(\*\*) Term: **15 Years**

(21) Appl. No.: **29/629,397**

(22) Filed: **Dec. 13, 2017**

(30) **Foreign Application Priority Data**

Jun. 15, 2017 (EM) ..... 004048882

(51) **LOC (11) Cl.** ..... **12-16**

(52) **U.S. Cl.**  
USPC ..... **D12/209**

(58) **Field of Classification Search**

USPC ..... D12/204–213  
CPC .... B60B 7/00; B60B 7/02; B60B 7/04; B60B  
7/01; B60B 7/06; B60B 3/04; B60B 1/00;  
B60B 3/10; B60B 1/10; B60B 1/08;  
B60B 3/06; B60B 1/12; B60B 3/02

See application file for complete search history.

(56) **References Cited**

**U.S. PATENT DOCUMENTS**

D377,640 S \* 1/1997 Neeper ..... D12/209  
D399,811 S \* 10/1998 Echazabal ..... D12/209

D408,004 S \* 4/1999 Cullen ..... D12/209  
D430,842 S \* 9/2000 Chinellato ..... D12/209  
D594,800 S \* 6/2009 Blasi ..... D12/209  
D725,569 S \* 3/2015 Komukai ..... D12/209  
D753,045 S \* 4/2016 Kawaguchi ..... D12/209  
D762,543 S \* 8/2016 Hara ..... D12/209  
D769,165 S \* 10/2016 Choi ..... D12/209  
D791,046 S \* 7/2017 Ishii ..... D12/209  
D792,306 S \* 7/2017 Ishigaki ..... D12/209  
D803,131 S \* 11/2017 Bridan ..... D12/209

\* cited by examiner

*Primary Examiner* — Stacia A Cadmus

(74) *Attorney, Agent, or Firm* — Wood Herron & Evans  
LLP

(57) **CLAIM**

The ornamental design for a wheel, as shown and described.

**DESCRIPTION**

FIG. 1 is a front left perspective view of a wheel showing my new design.

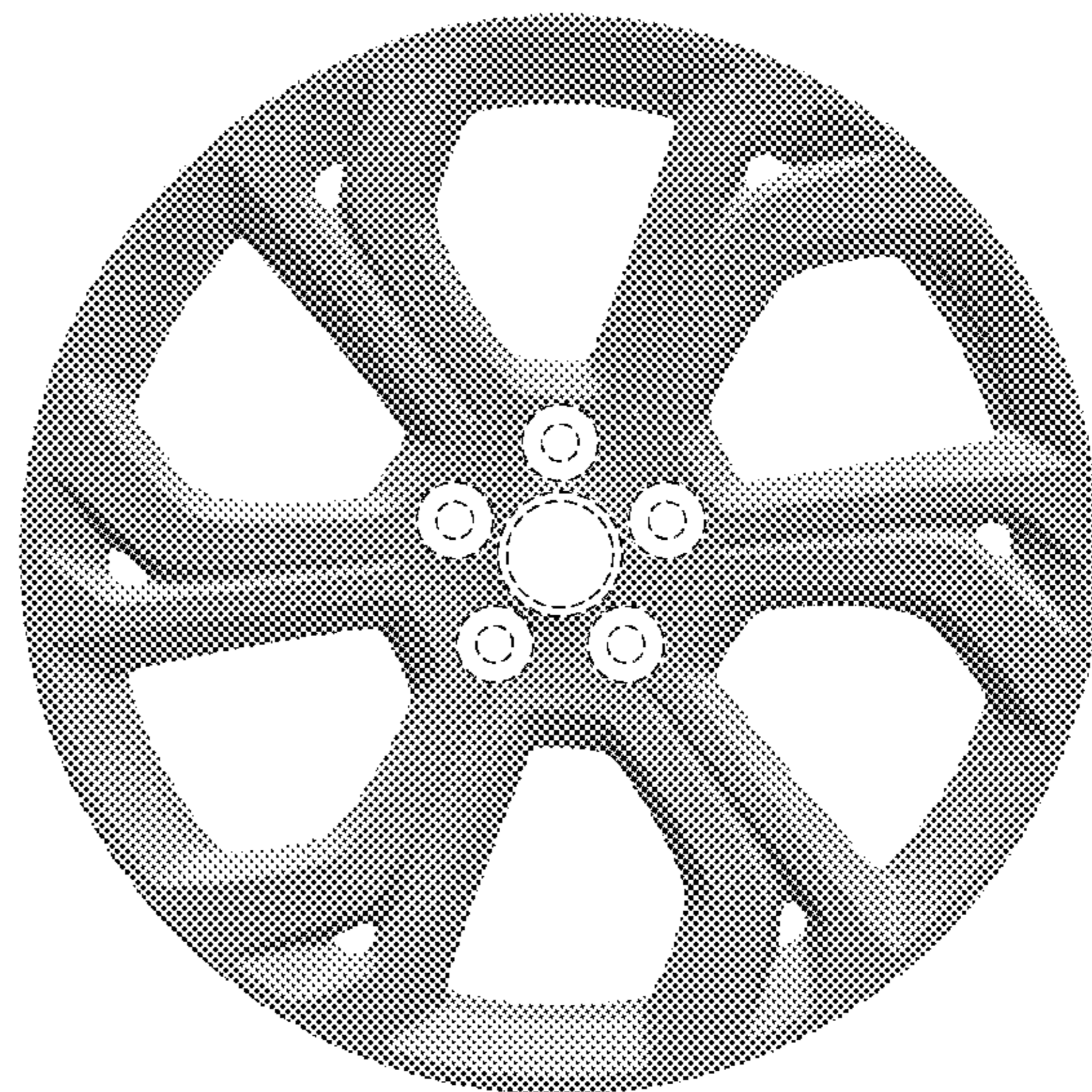
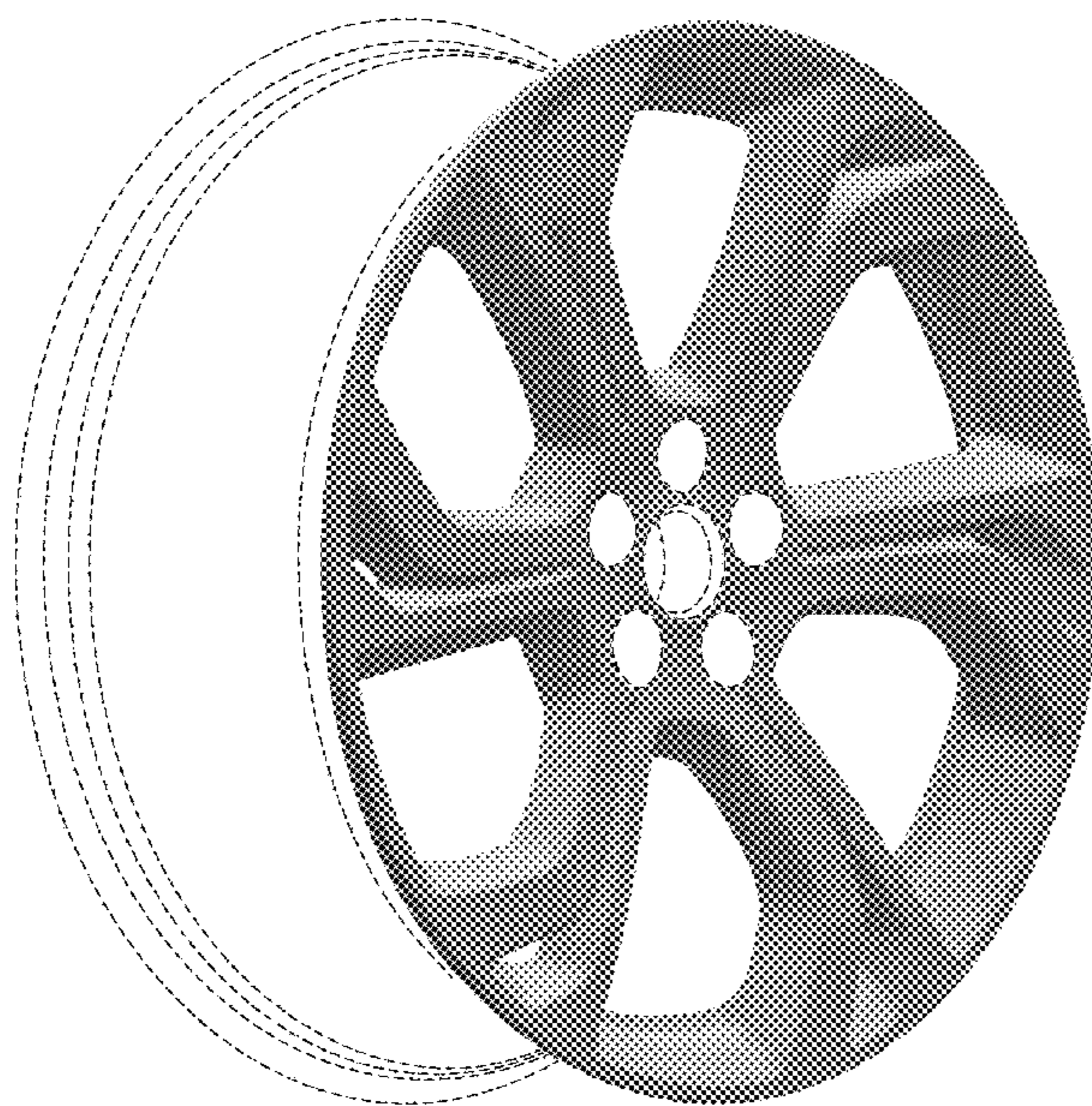
FIG. 2 is a front view thereof.

FIG. 3 is a left side view thereof, the right side being a mirror image thereof.

FIG. 4 is a front left perspective view of a second embodiment of the wheel.

FIG. 5 is a front view of the wheel shown in FIG. 4; and, FIG. 6 is left side view of FIG. 4, the right side being a mirror image thereof.

**1 Claim, 4 Drawing Sheets**





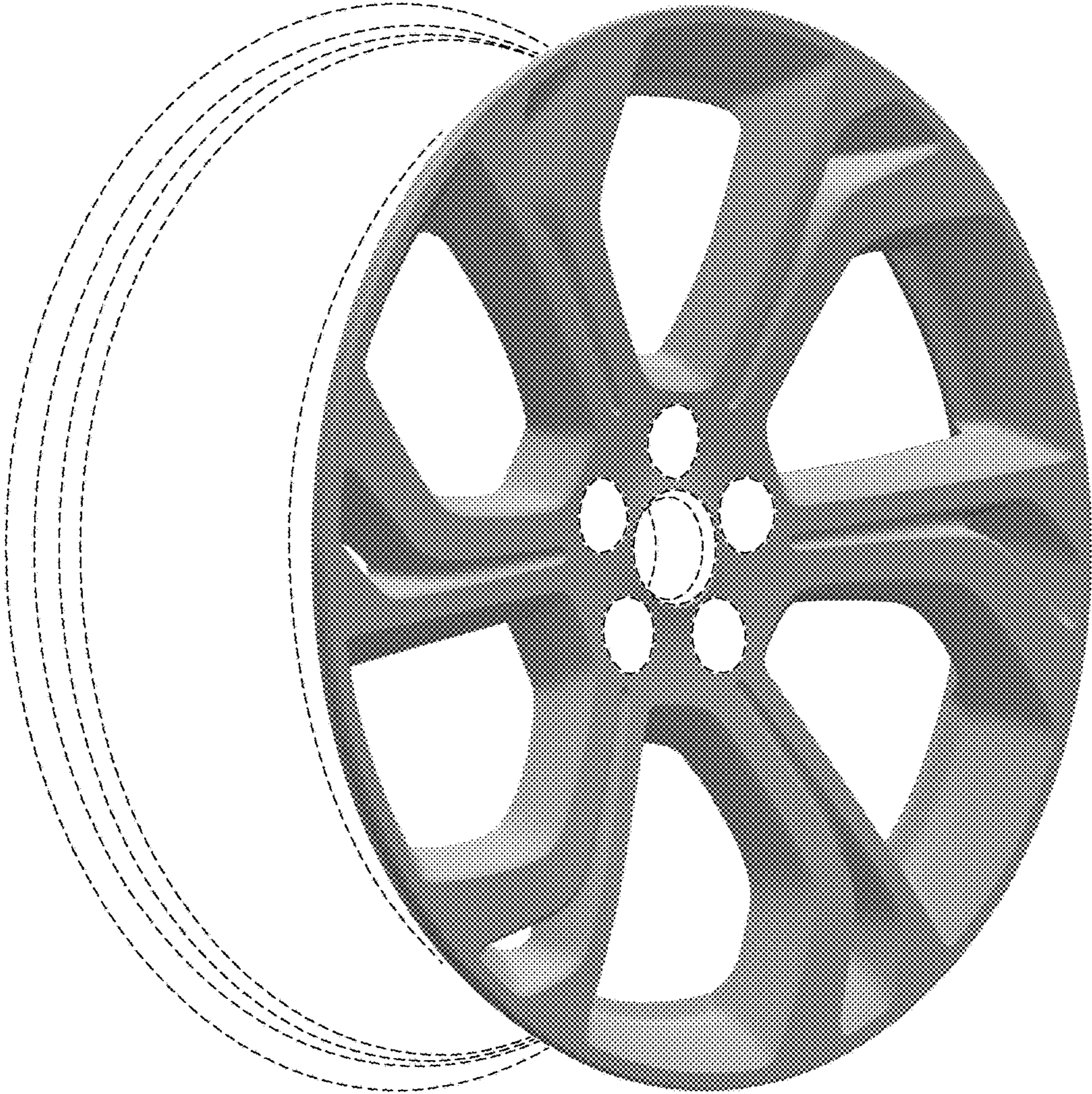


FIG. 1



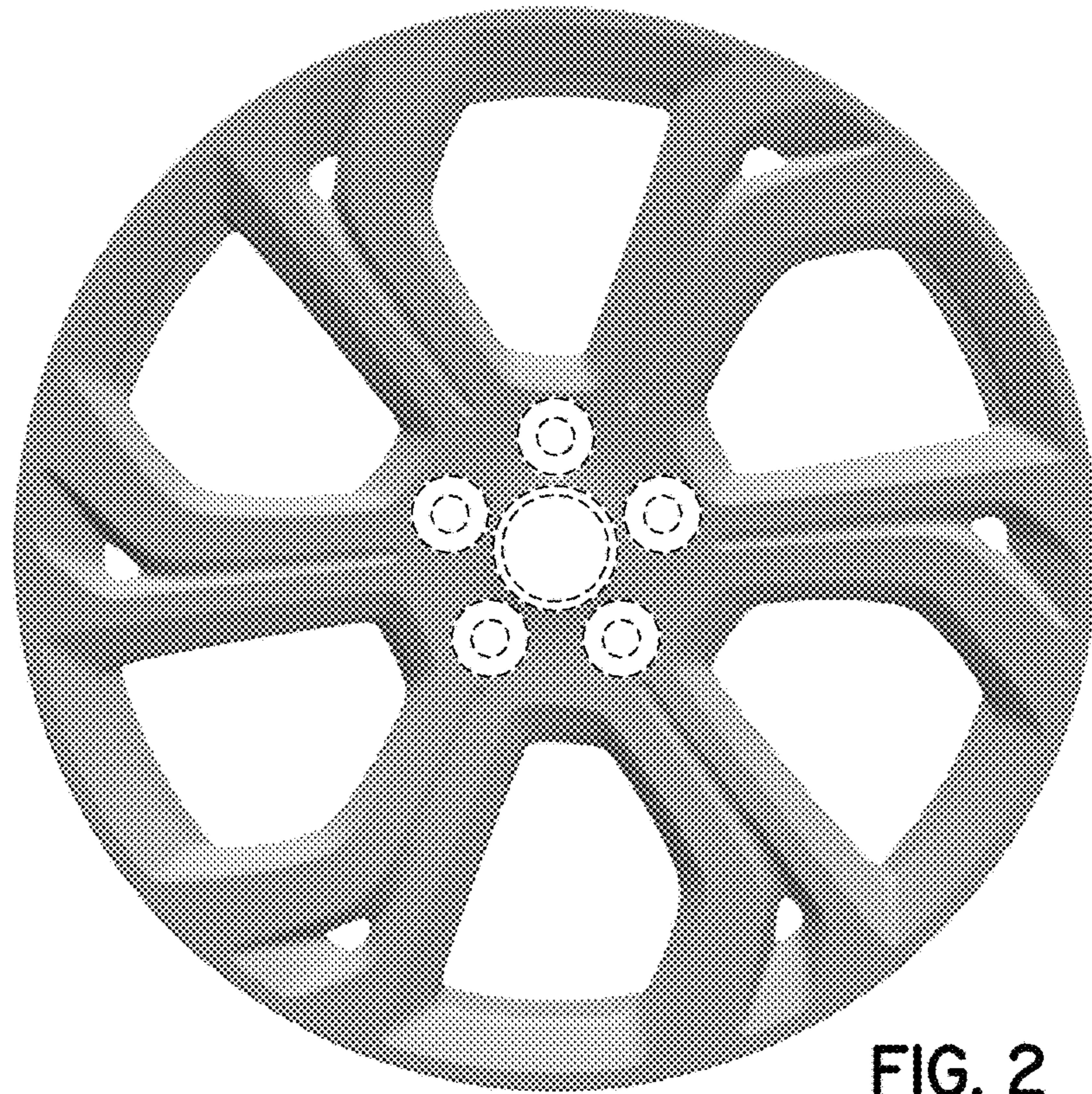


FIG. 2

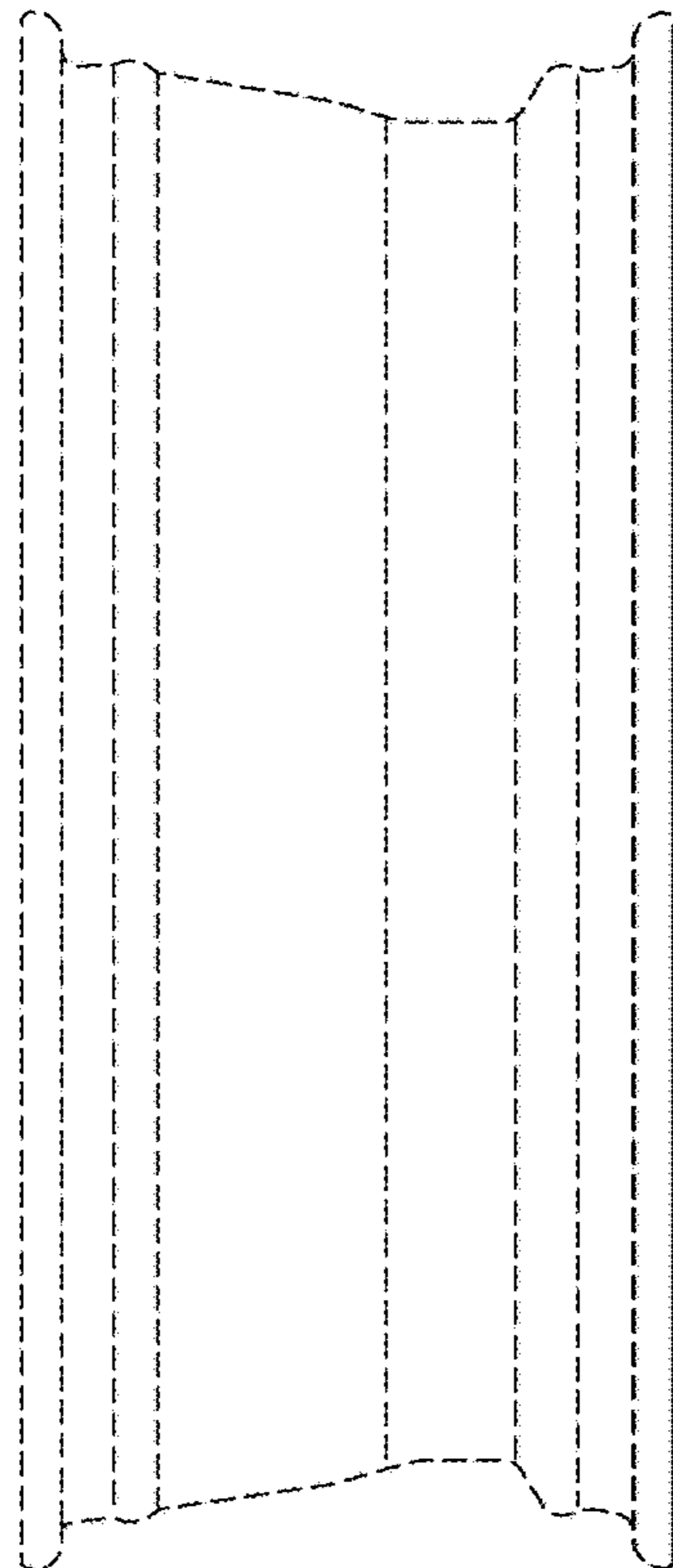


FIG. 3



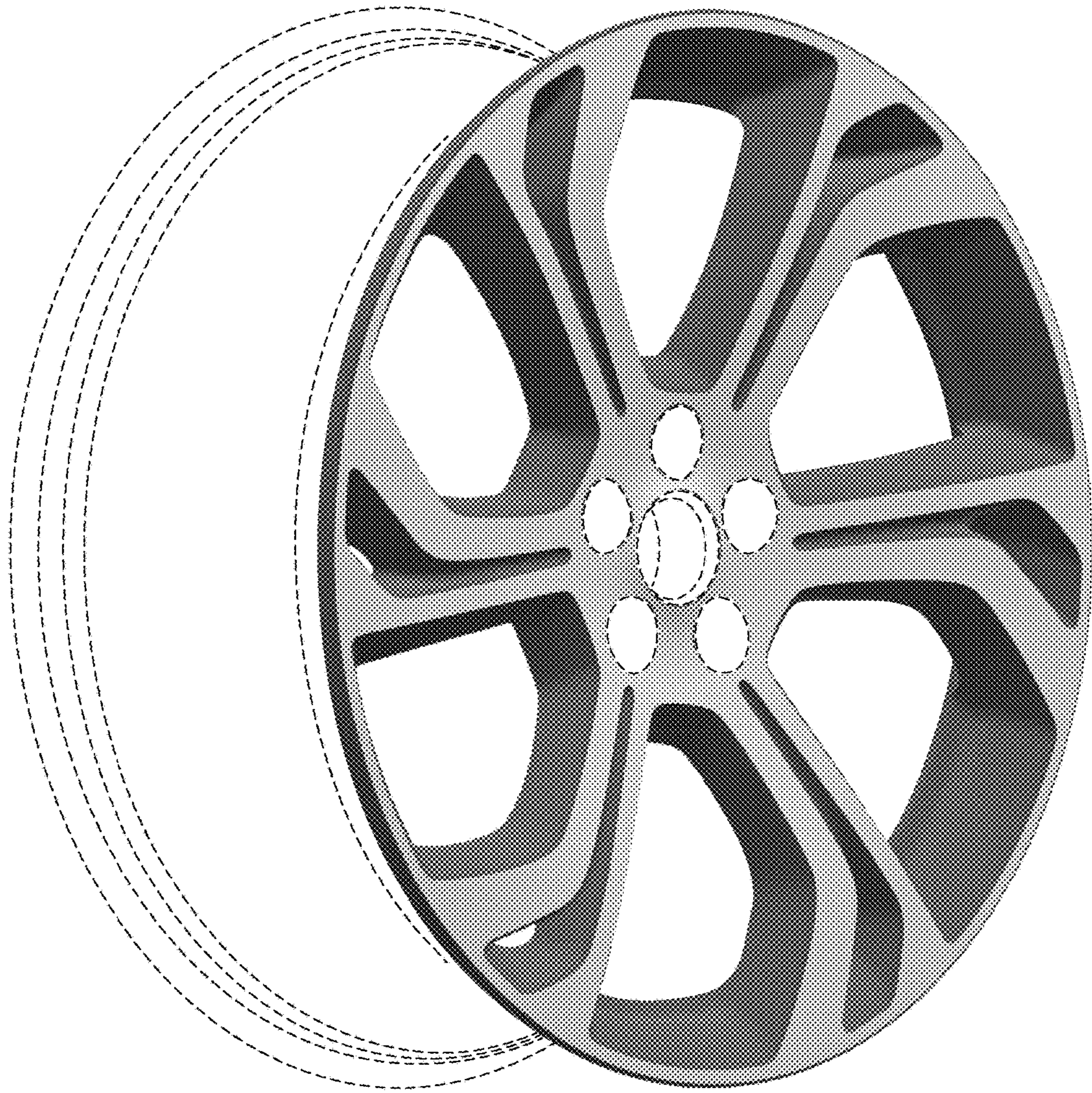


FIG. 4



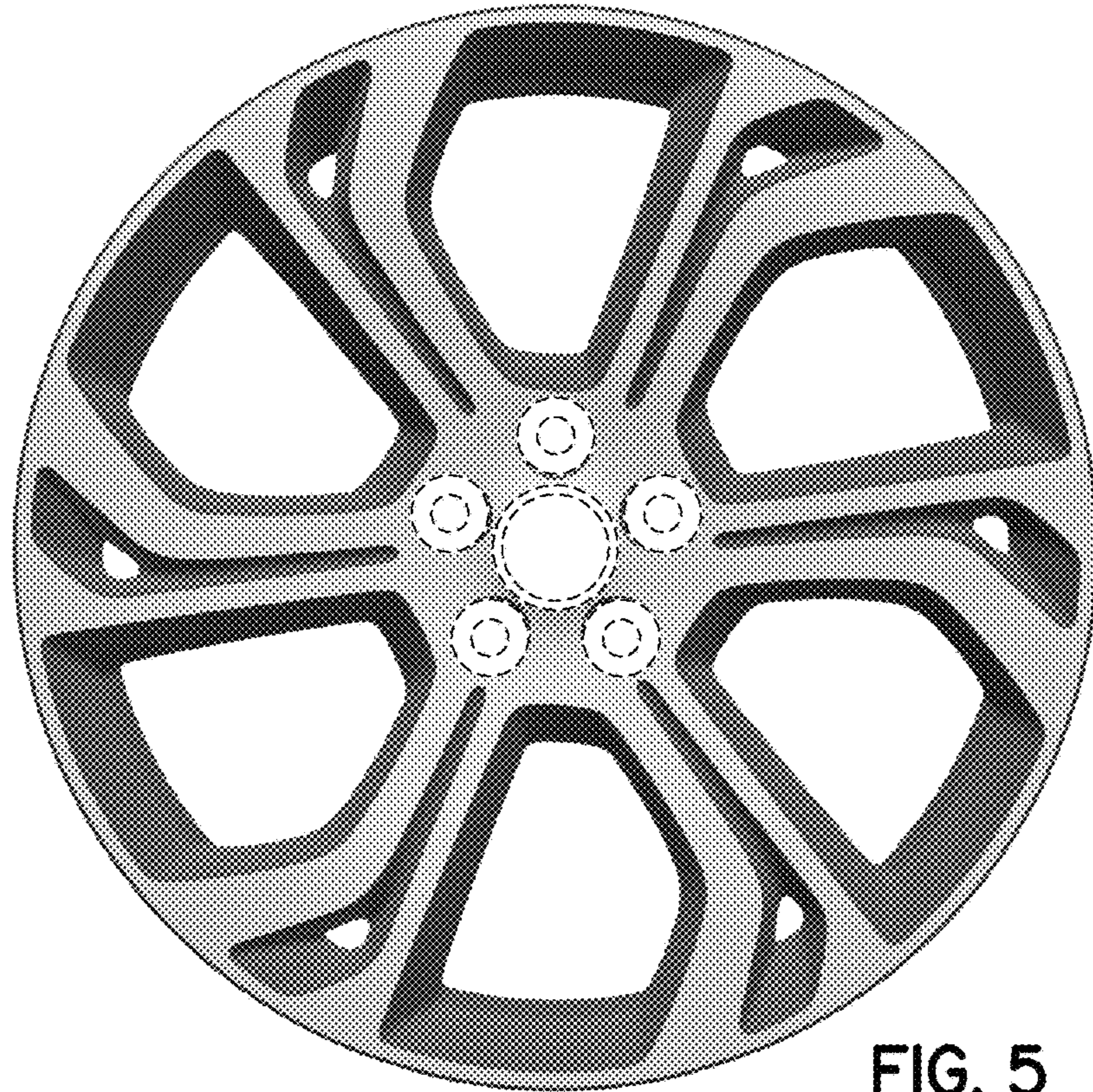


FIG. 5

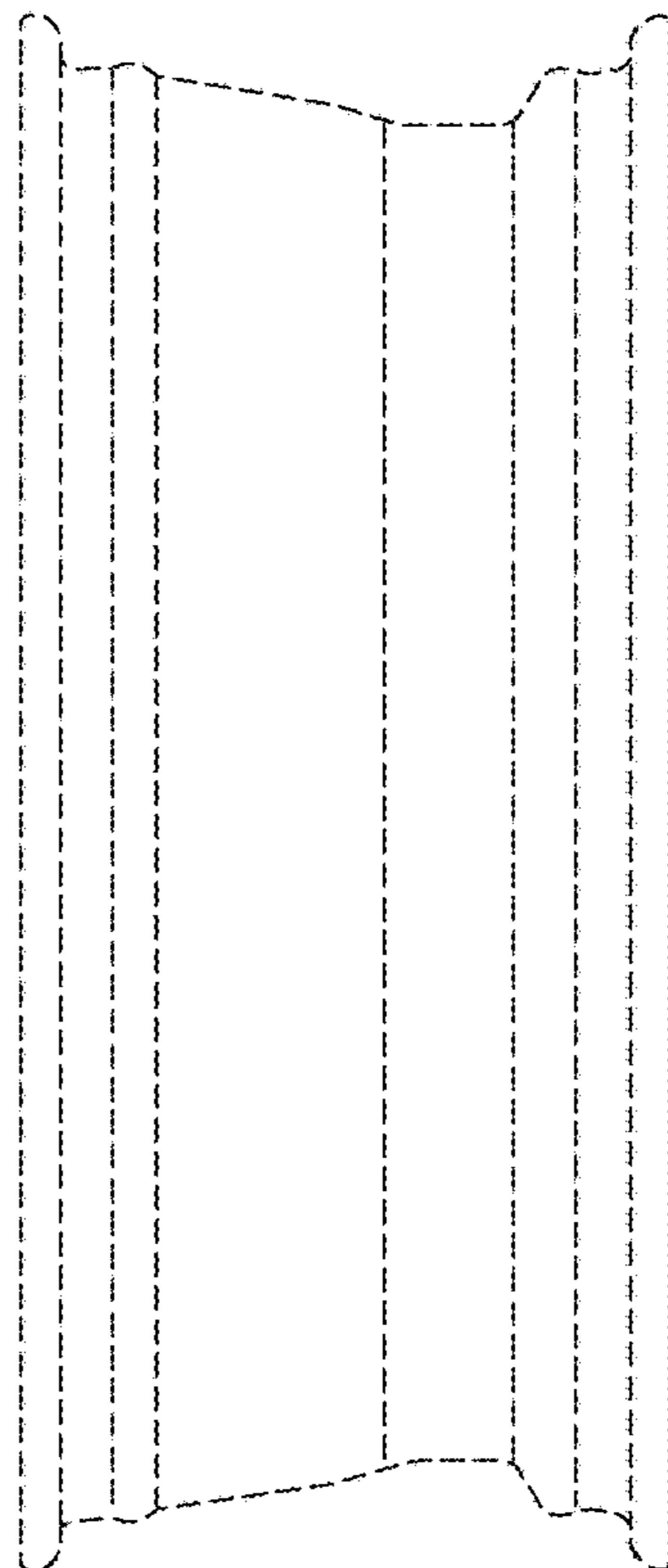


FIG. 6

UNITED STATES PATENT AND TRADEMARK OFFICE  
**CERTIFICATE OF CORRECTION**

PATENT NO. : D850,348 S  
APPLICATION NO. : 29/629397  
DATED : June 4, 2019  
INVENTOR(S) : Luke Smith

Page 1 of 1

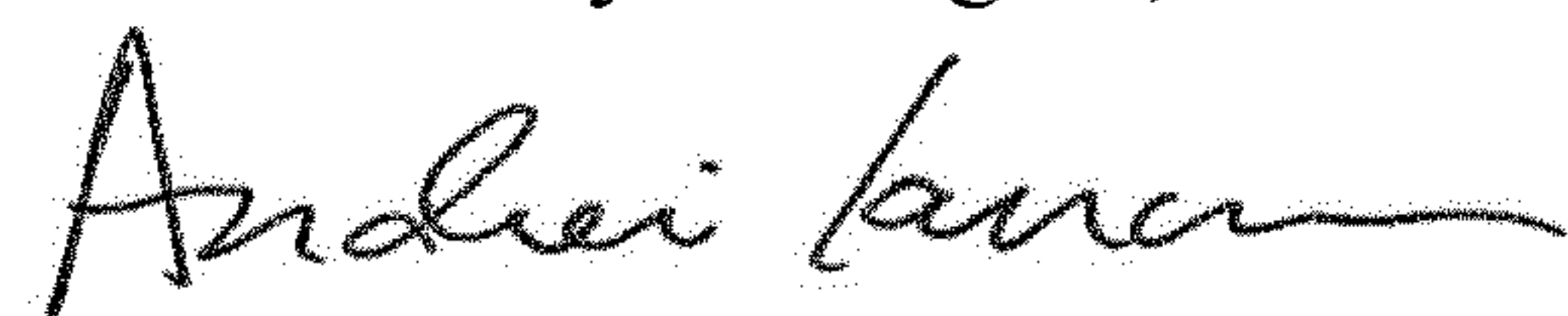
It is certified that error appears in the above-identified patent and that said Letters Patent is hereby corrected as shown below:

On the Title Page

Column 2, under "Description", the last two lines "FIG. 6 is left side view of FIG. 4, the right..." should read --FIG. 6 is a left side view of FIG. 4, the right...--.

The following statement should be inserted preceding the claim: --The broken lines in the drawings show environmental structure and form no part of the claimed design.--.

Signed and Sealed this  
Sixth Day of August, 2019



Andrei Iancu  
*Director of the United States Patent and Trademark Office*