



US00D850343S

(12) **United States Design Patent** (10) **Patent No.:** **US D850,343 S**
Mattice (45) **Date of Patent:** **** Jun. 4, 2019**

(54) **SPLASH GUARD**
(71) Applicant: **Vincent T. Mattice**, Kansas City, MO (US)
(72) Inventor: **Vincent T. Mattice**, Kansas City, MO (US)
(**) Term: **15 Years**
(21) Appl. No.: **29/629,918**
(22) Filed: **Dec. 18, 2017**
(51) **LOC (11) Cl.** **12-16**
(52) **U.S. Cl.**
USPC **D12/185**
(58) **Field of Classification Search**
USPC D12/90-92, 93, 96, 181, 184, 185, 196, D12/202
CPC B62D 25/18; B62D 25/188
See application file for complete search history.

D332,770 S * 1/1993 Rutter D12/185
5,407,229 A * 4/1995 Garrett B62D 25/18
280/851
D393,896 S 4/1998 Wagner et al.
D406,087 S * 2/1999 Bavington D12/185
D415,460 S * 10/1999 Ward D12/185
6,179,311 B1 * 1/2001 Larkin B62D 25/188
280/154
7,461,413 B2 12/2008 Lewis et al.
D615,468 S * 5/2010 Harris D12/185
9,004,538 B2 * 4/2015 Eklund B62D 25/188
280/762
9,650,778 B2 5/2017 Danowski et al.
D792,823 S * 7/2017 Senatroy D12/185
9,724,974 B2 * 8/2017 Schmeichel B60D 1/58
2005/0144711 A1 7/2005 Valadez et al.
2007/0044221 A1 3/2007 Wise

* cited by examiner

Primary Examiner — Darlington Ly
(74) *Attorney, Agent, or Firm* — Cramer Patent & Design, PLLC; Aaron R. Cramer

(57) **CLAIM**

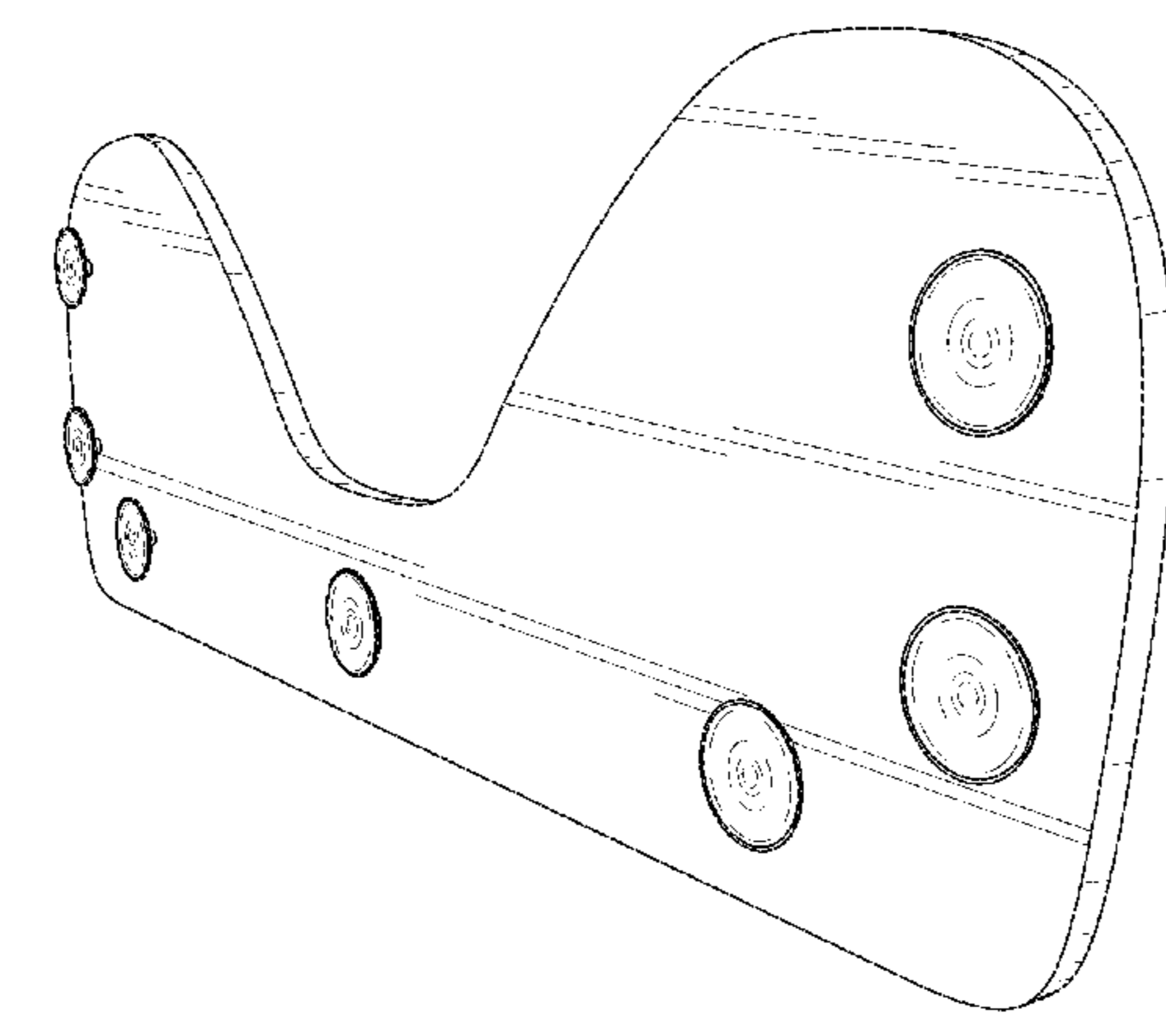
The ornamental design for a splash guard, as shown and described.

DESCRIPTION

FIG. 1 is a top, front, and right side perspective view of a splash guard showing my new design;
FIG. 2 is a top, rear, and left side perspective view thereof;
FIG. 3 is a front elevation view thereof;
FIG. 4 is a rear elevation view thereof;
FIG. 5 is a right side elevation view thereof;
FIG. 6 is a left side elevation view thereof;
FIG. 7 is a top plan view thereof; and,
FIG. 8 is a bottom plan view thereof.

1 Claim, 6 Drawing Sheets

(56) **References Cited**
U.S. PATENT DOCUMENTS
D241,827 S * 10/1976 Podall D12/185
D260,759 S * 9/1981 Arenhold D12/185
4,315,634 A * 2/1982 Arenhold B62D 25/18
280/851
D274,324 S * 6/1984 Arenhold D12/185
D279,560 S * 7/1985 Jensen D12/185
D281,966 S * 12/1985 Lockwood D12/185
D282,158 S * 1/1986 Wright D12/185
4,716,602 A 1/1988 Brickhouse
D301,710 S * 6/1989 Ward D12/185
D308,847 S * 6/1990 Price D12/185
D308,958 S * 7/1990 Knox D12/185
D309,724 S * 8/1990 Jurgens D12/185
D328,447 S * 8/1992 Ahleen D12/185



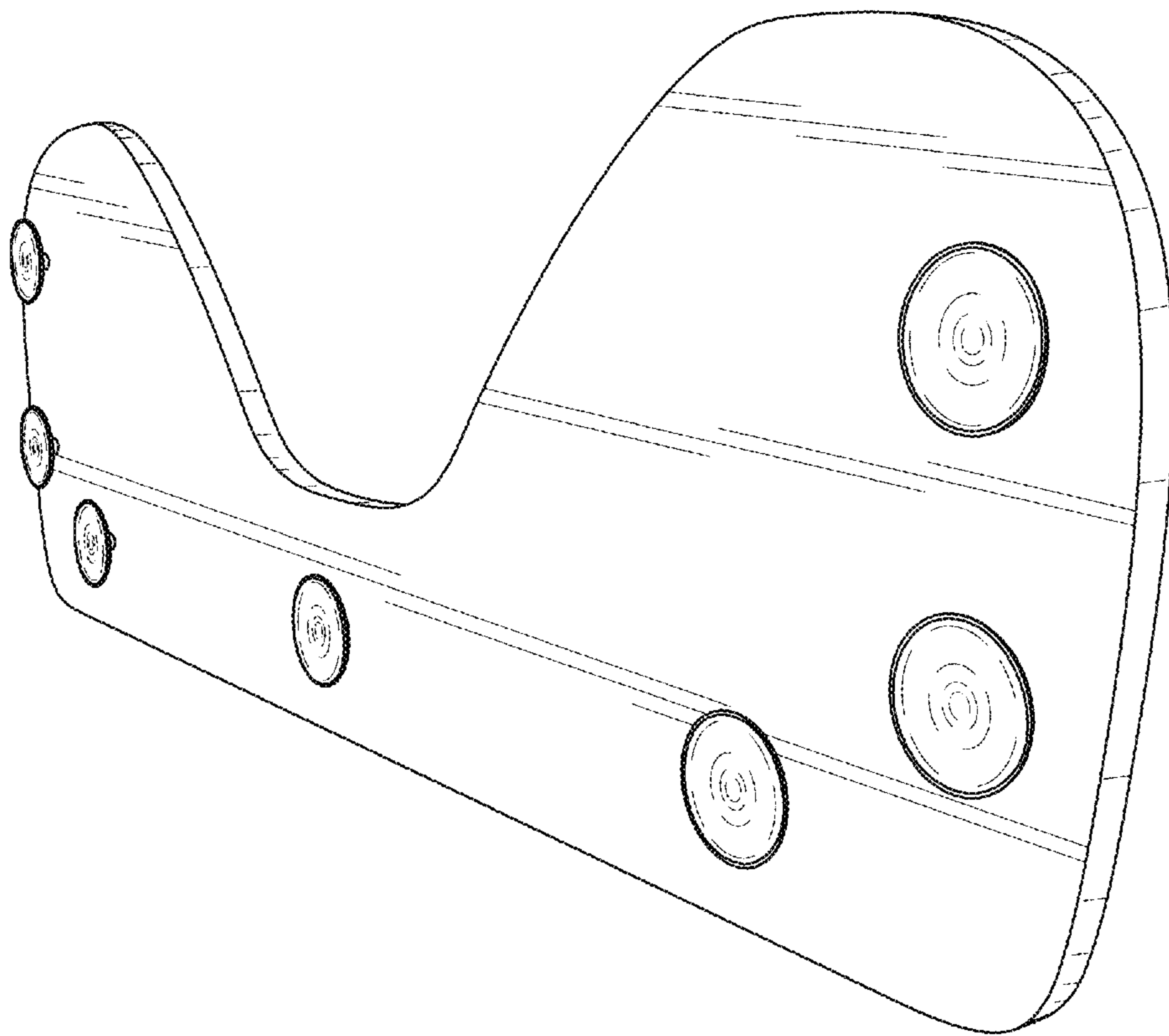


FIG. 1

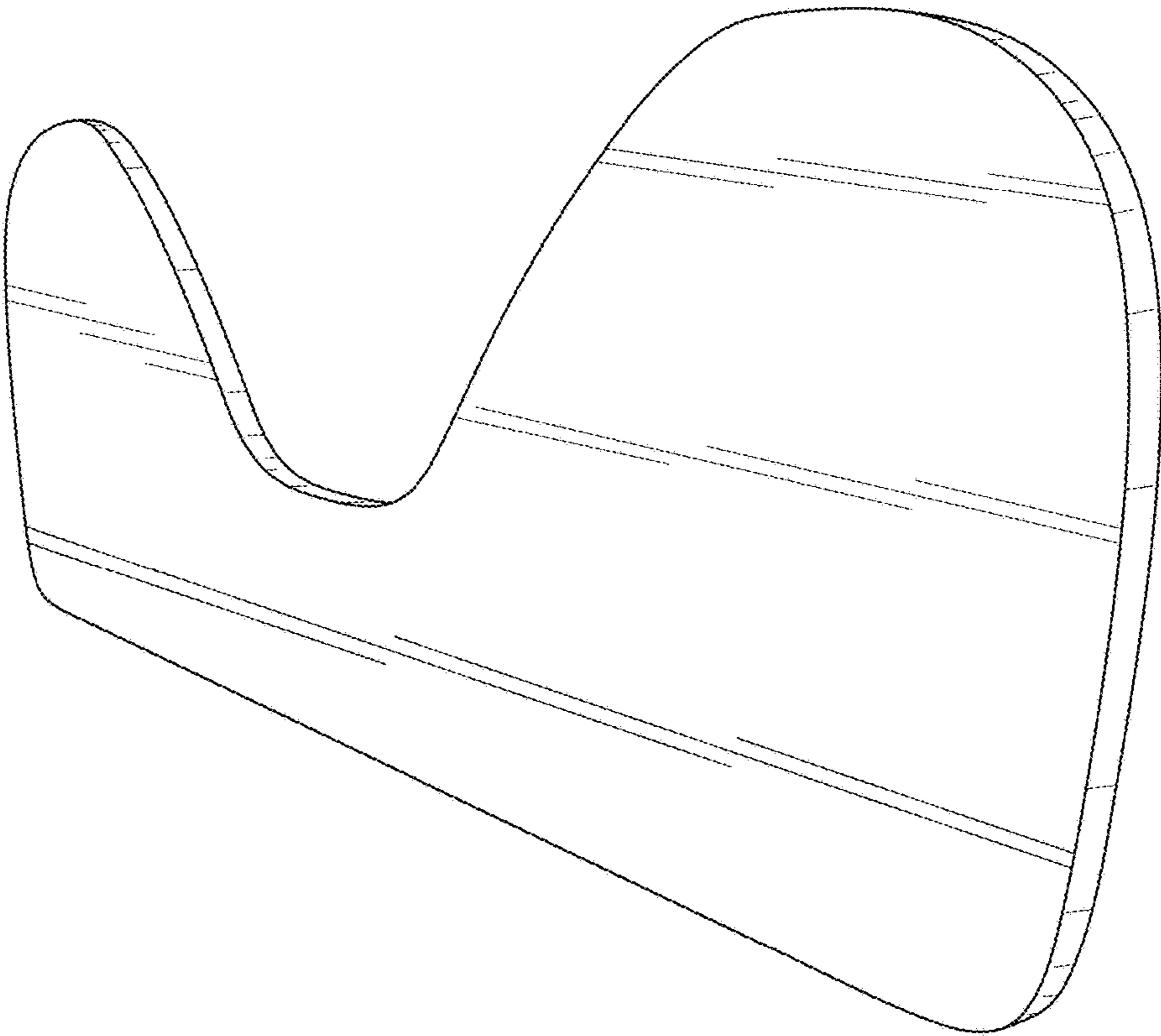


FIG. 2

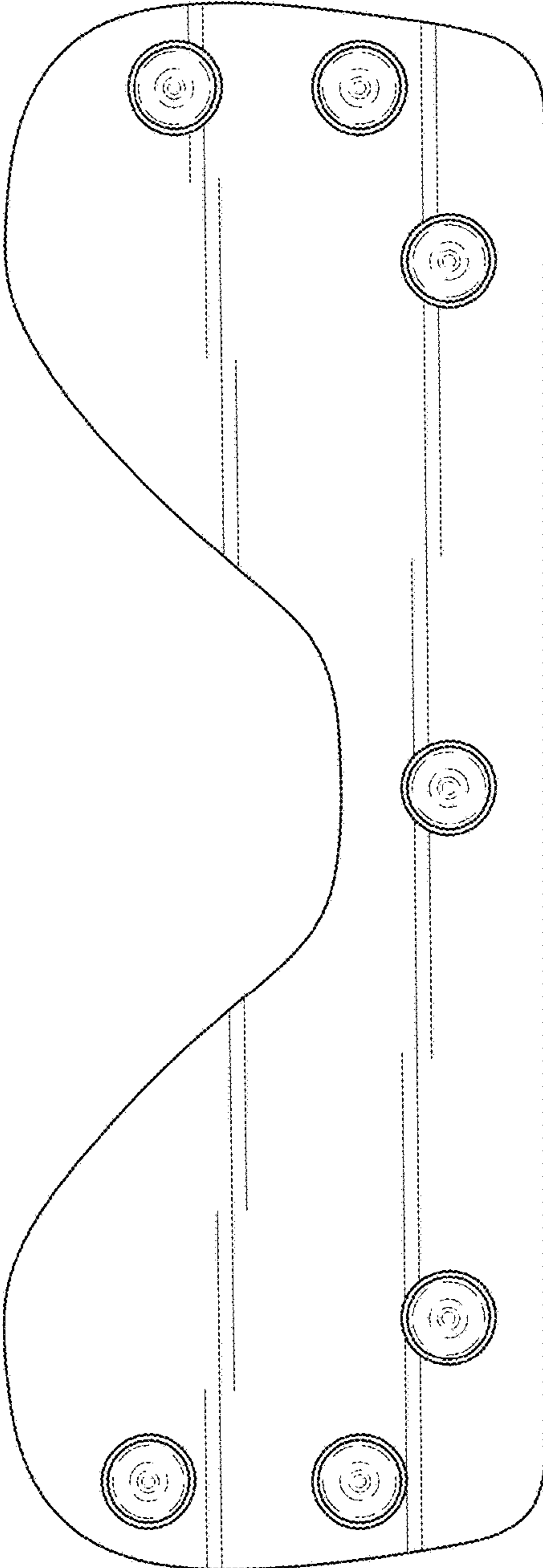


FIG. 3

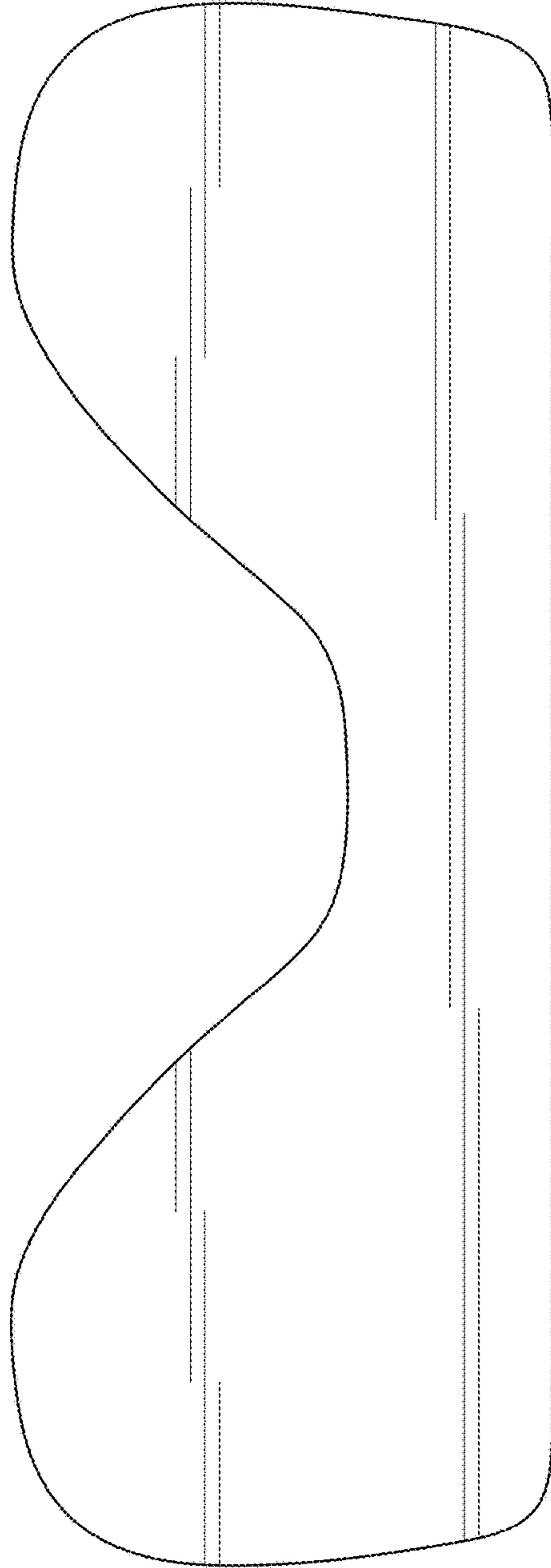


FIG. 4

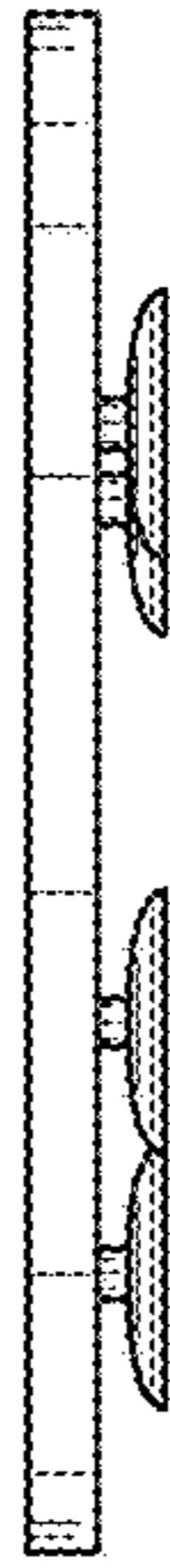


FIG. 5

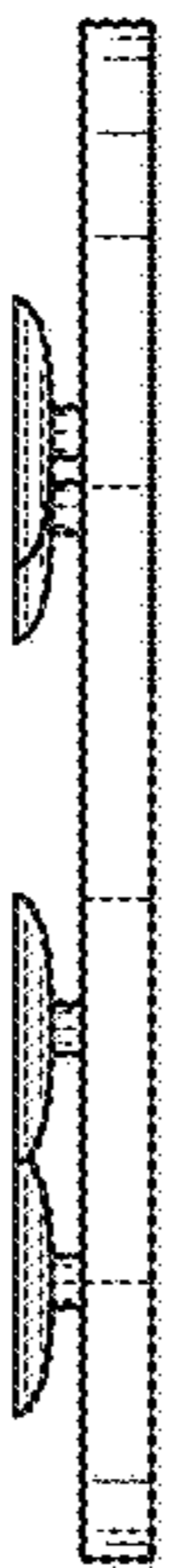


FIG. 6



FIG. 7

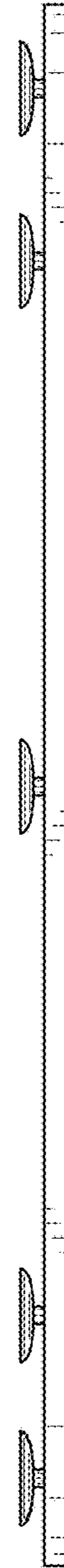


FIG. 8