



US00D850340S

(12) **United States Design Patent**
Lu

(10) **Patent No.:** **US D850,340 S**

(45) **Date of Patent:** **** Jun. 4, 2019**

(54) **HOOD VENT**

(71) Applicant: **Turn 5, Inc.**, Paoli, PA (US)

(72) Inventor: **Shunguo Lu**, Danyang (CN)

(73) Assignee: **Turn 5, Inc.**, Paoli, PA (US)

(**) Term: **15 Years**

(21) Appl. No.: **29/666,491**

(22) Filed: **Oct. 12, 2018**

(51) **LOC (11) Cl.** **12-16**

(52) **U.S. Cl.**
USPC **D12/181**

(58) **Field of Classification Search**
USPC D12/181, 182, 183, 317, 400, 184, 191
CPC B32B 3/00; B60S 9/205
See application file for complete search history.

(56) **References Cited**

U.S. PATENT DOCUMENTS

5,157,377 A * 10/1992 Wayne B60K 35/00
180/69.2
D457,471 S * 5/2002 Simcox D12/173
D524,705 S * 7/2006 Bettino D12/181
D528,482 S * 9/2006 Hamburger D12/181

D726,080 S * 4/2015 Mays D12/173
D758,257 S * 6/2016 Platto D12/163
D817,236 S * 5/2018 DiCanzio D12/173
D830,258 S * 10/2018 Moffett D12/181

* cited by examiner

Primary Examiner — Katrina A Betton

(74) *Attorney, Agent, or Firm* — Schott, P.C.

(57) **CLAIM**

The ornamental design for the hood vent, as shown and described.

DESCRIPTION

FIG. 1 is a top perspective view of the hood vent of the present invention, it being understood that in the views, a mirror image thereof is possible;

FIG. 2 is a bottom perspective view thereof;

FIG. 3 is a top view thereof;

FIG. 4 is a bottom view thereof;

FIG. 5 is a front elevation view thereof;

FIG. 6 is a bottom elevation view thereof;

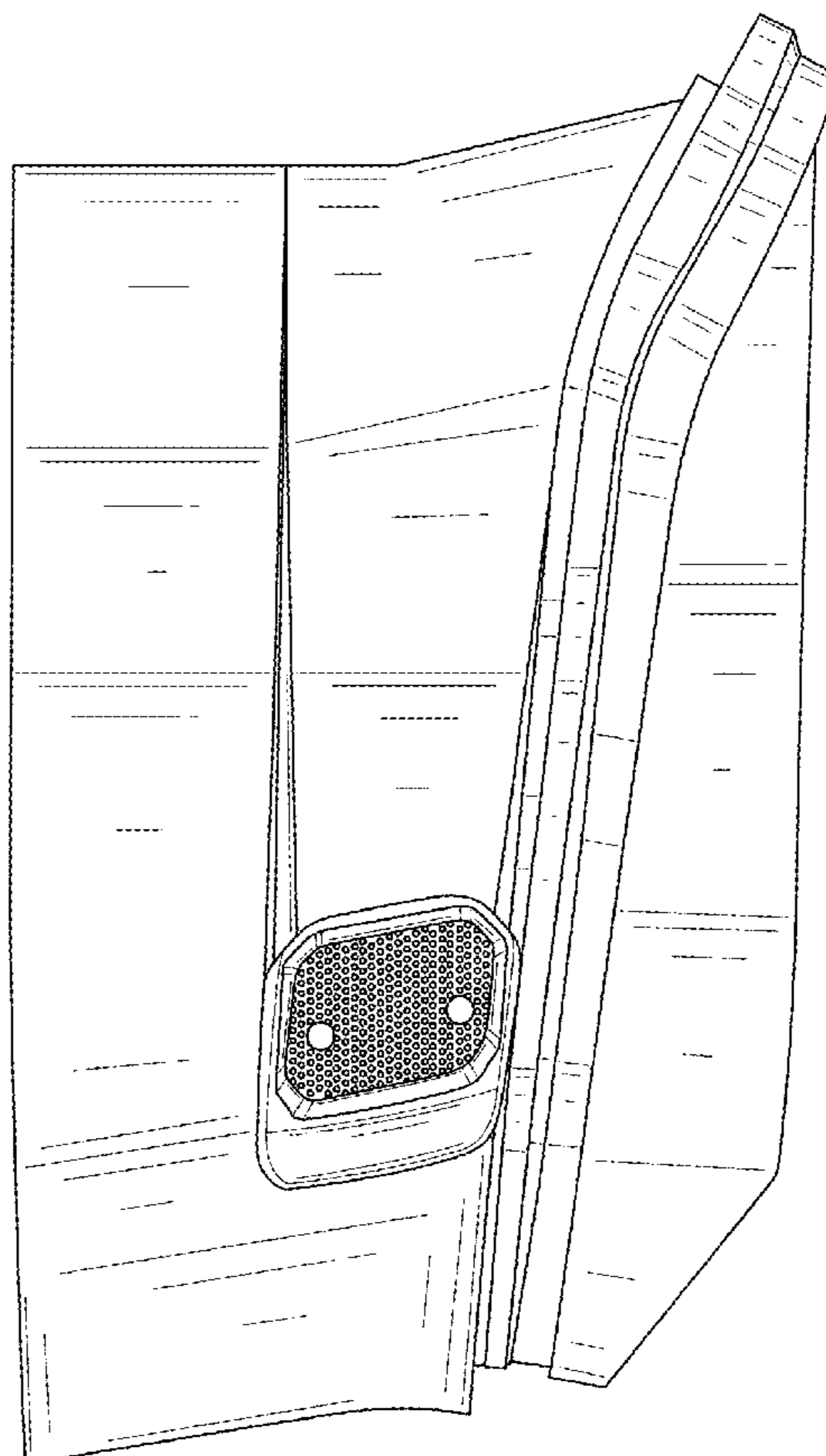
FIG. 7 is a right side view thereof;

FIG. 8 is a left side view thereof; and,

FIG. 9 is a perspective view thereof in an exemplary automobile.

The broken lines are provided for the purpose of illustrating environmental structure(s) and form no part of the claimed design.

1 Claim, 7 Drawing Sheets



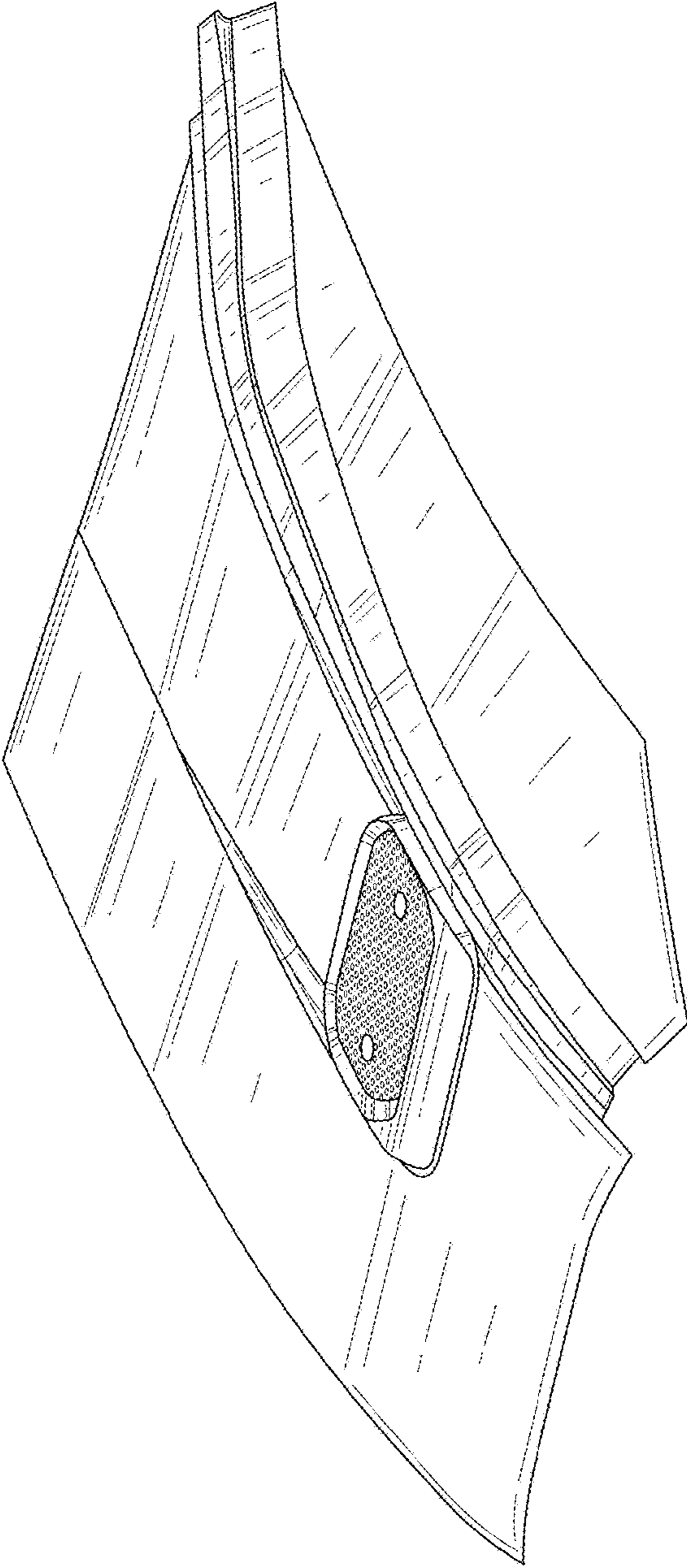


FIG. 1

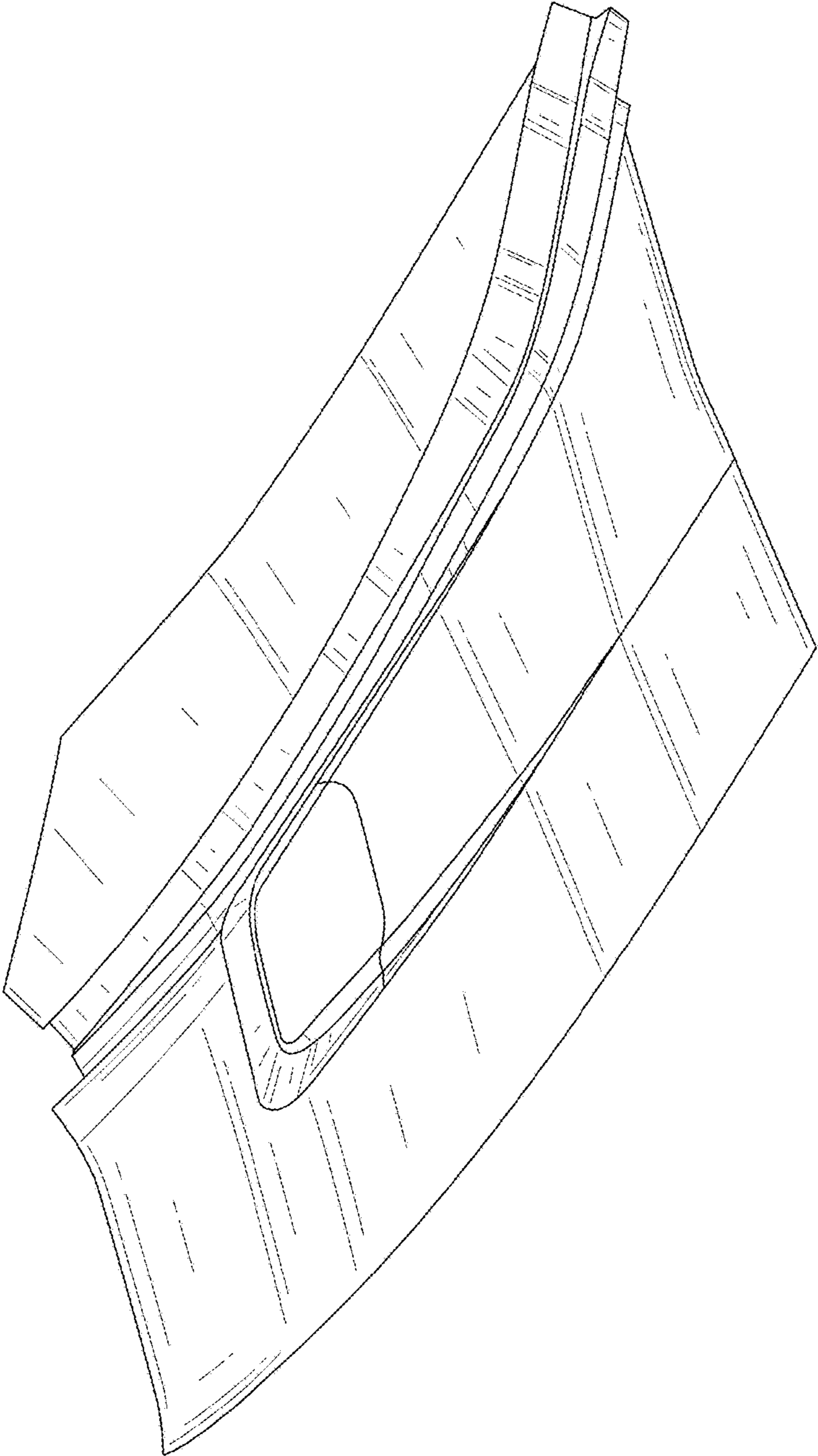


FIG. 2

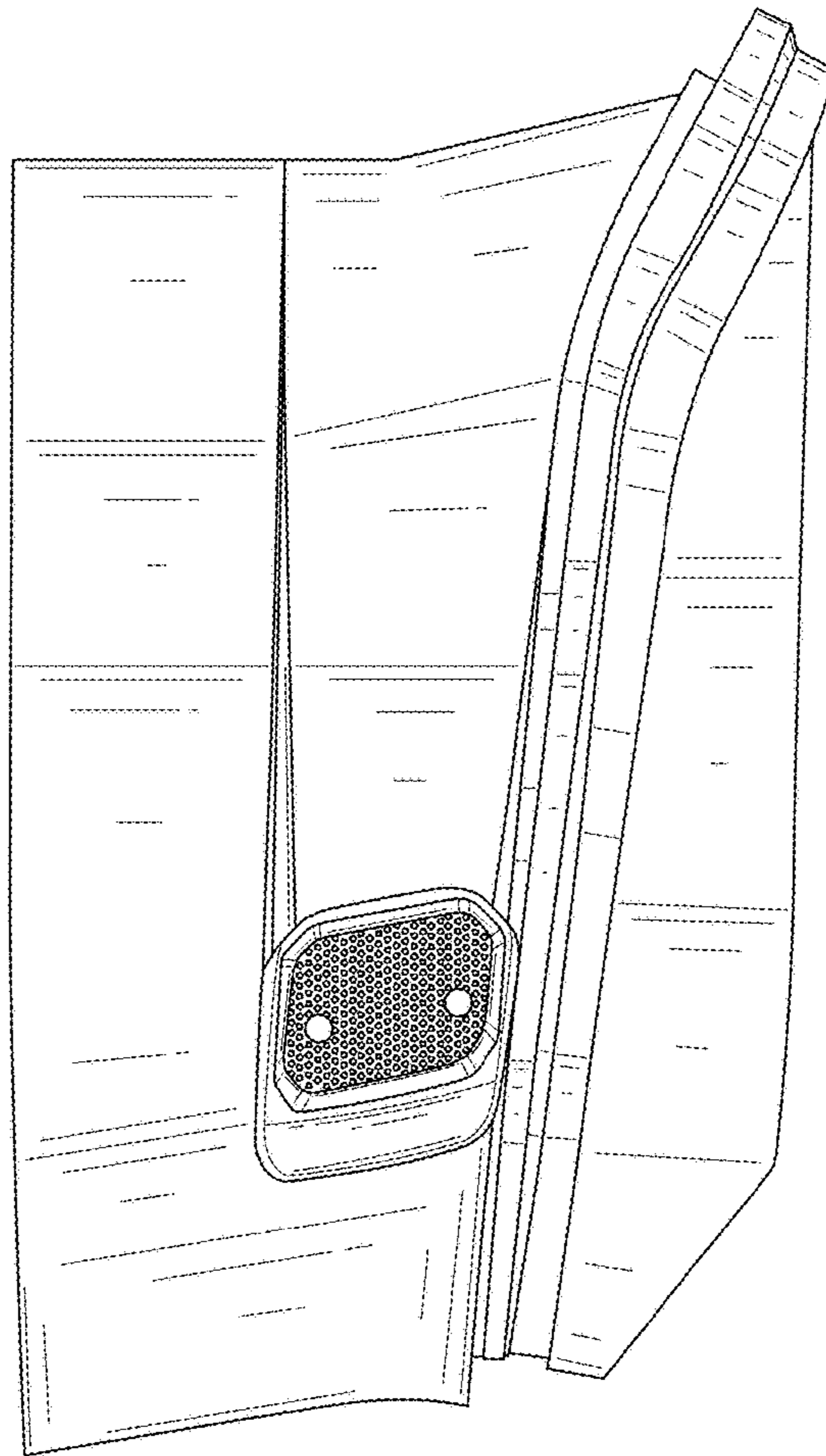


FIG. 3

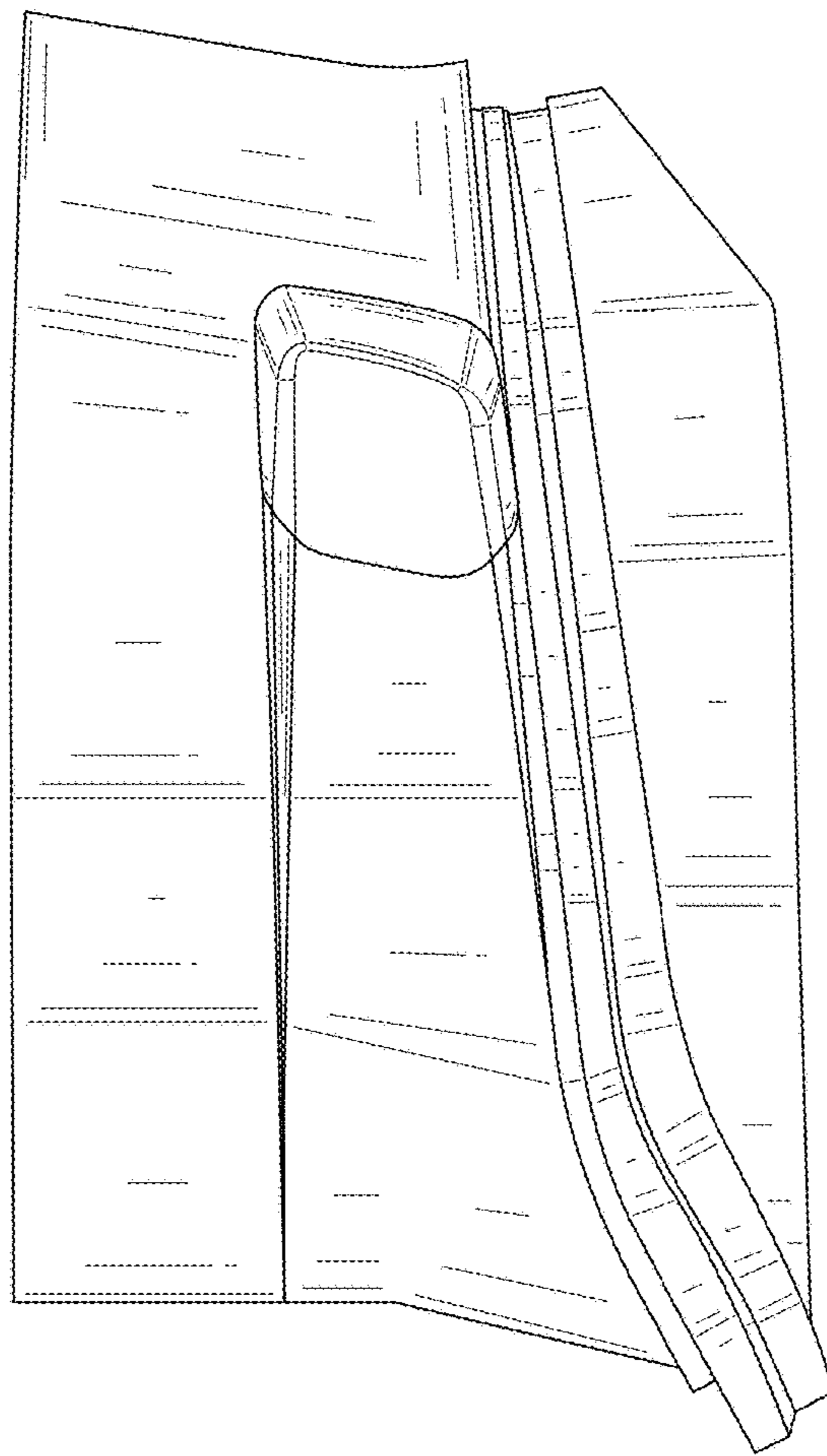


FIG. 4

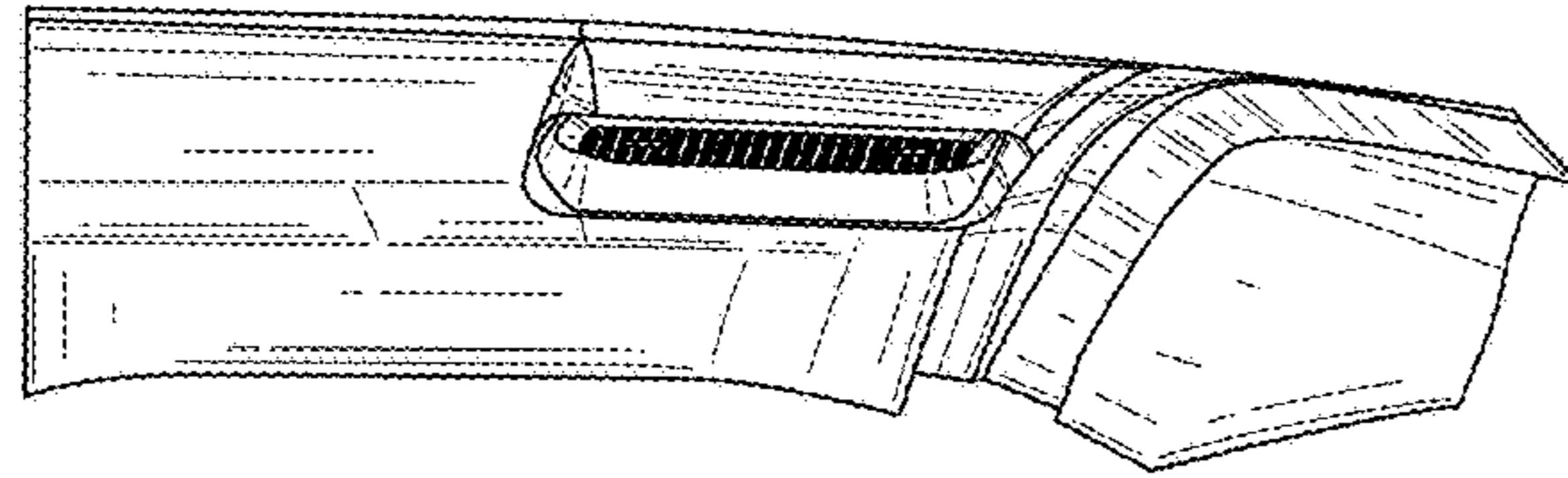


FIG. 5

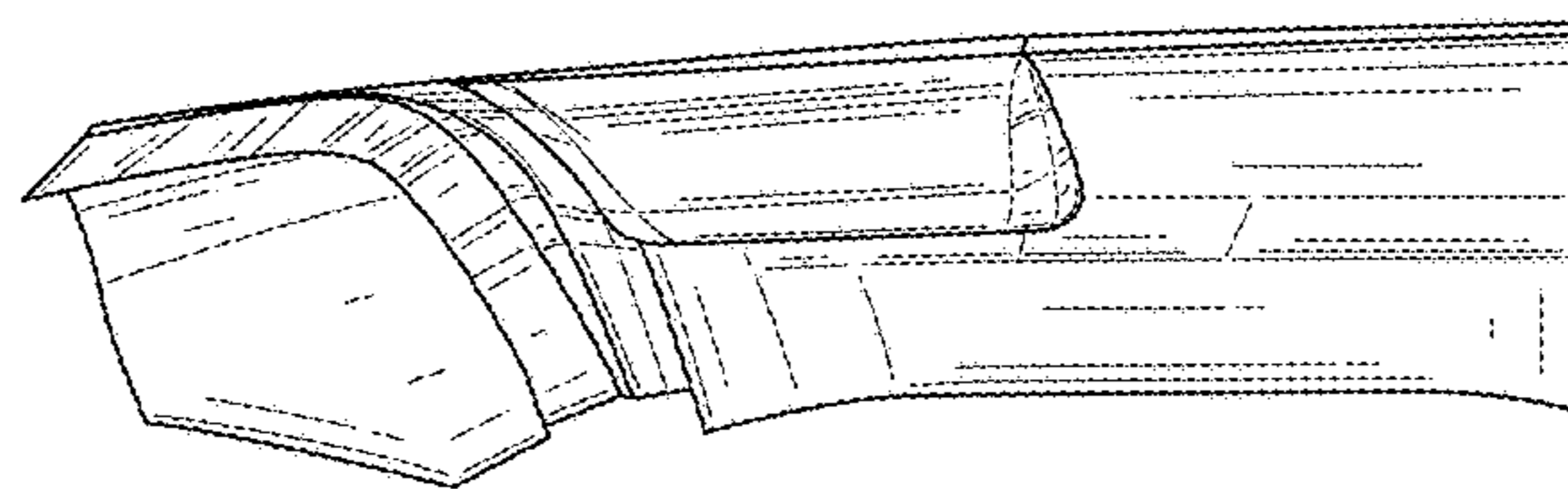


FIG. 6

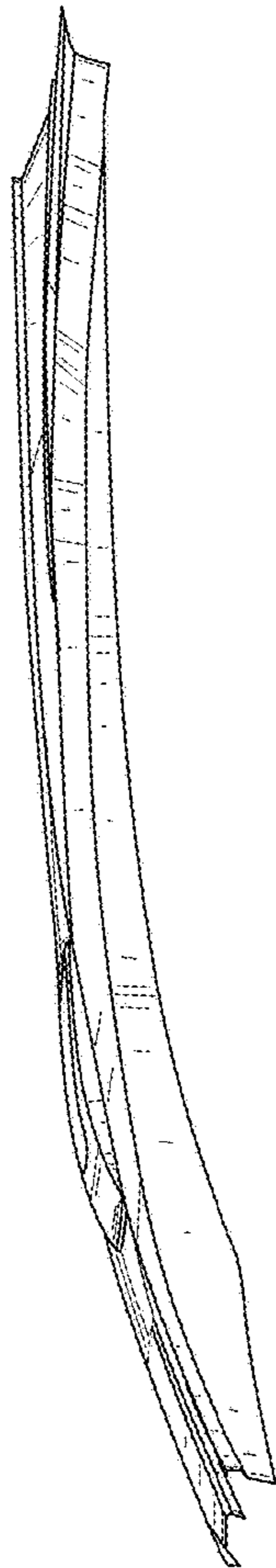


FIG. 7

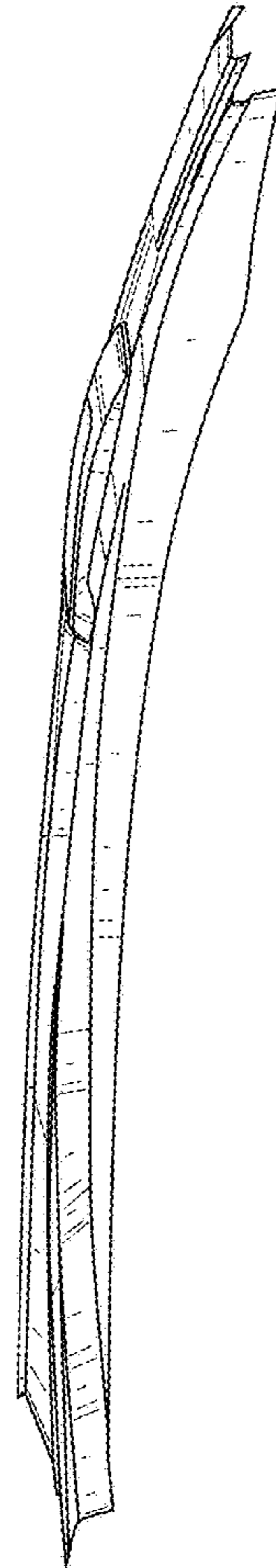


FIG. 8

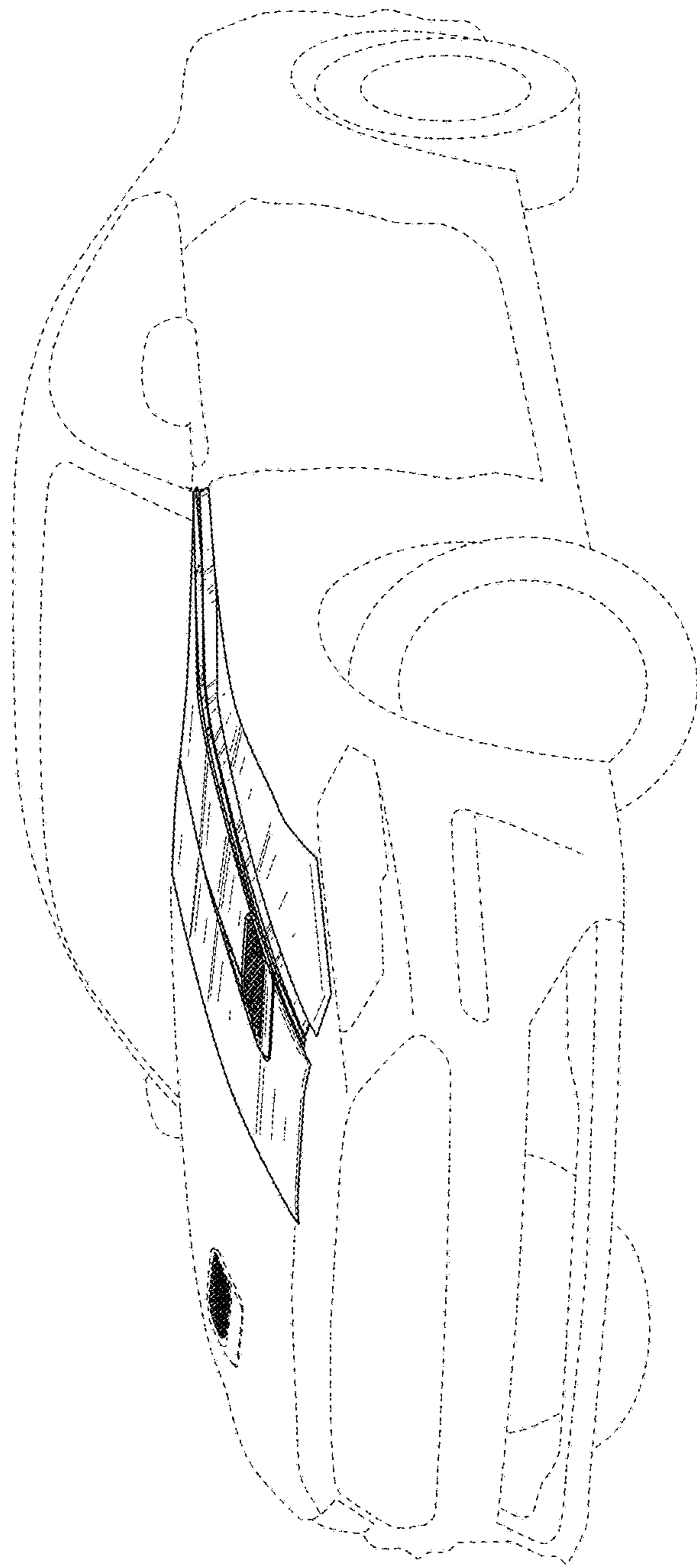


FIG. 9