



US00D850337S

(12) **United States Design Patent**  
**Ward**

(10) **Patent No.:** **US D850,337 S**

(45) **Date of Patent:** **\*\* Jun. 4, 2019**

(54) **MECHANICAL CLUTCH PERCH FOR  
MOTORCYCLE**

(71) Applicant: **Magic Machine, Inc.**, Los Angeles, CA  
(US)

(72) Inventor: **Terrence Ward**, Los Angeles, CA (US)

(73) Assignee: **Magic Machine, Inc.**, Orange, CA (US)

(\*\*) Term: **15 Years**

(21) Appl. No.: **29/598,131**

(22) Filed: **Mar. 23, 2017**

(51) **LOC (11) Cl.** ..... **12-16**

(52) **U.S. Cl.**  
USPC ..... **D12/179**

(58) **Field of Classification Search**  
USPC ..... D12/179, 123, 18; 74/475, 489, 502.2,  
74/551.8, 551.9, 473.14  
CPC ..... B62K 23/02; B62K 23/04; B62K 23/06;  
B62L 3/023  
See application file for complete search history.

(56) **References Cited**

**U.S. PATENT DOCUMENTS**

D327,245 S \* 6/1992 Culley ..... D12/179  
D339,096 S \* 9/1993 Bean ..... D12/179  
D356,061 S \* 3/1995 Gelbein ..... D12/179

D368,061 S \* 3/1996 Burns ..... D12/179  
D425,464 S \* 5/2000 Sands ..... D12/179  
D442,528 S \* 5/2001 Terasawa ..... D12/179  
D442,529 S \* 5/2001 Terasawa ..... D12/179  
D543,913 S \* 6/2007 Hanamura ..... D12/179  
D838,219 S \* 1/2019 Jian ..... D12/179

\* cited by examiner

*Primary Examiner* — Cynthia Ramirez

*Assistant Examiner* — Gino Colan

(74) *Attorney, Agent, or Firm* — Brian Billett

(57) **CLAIM**

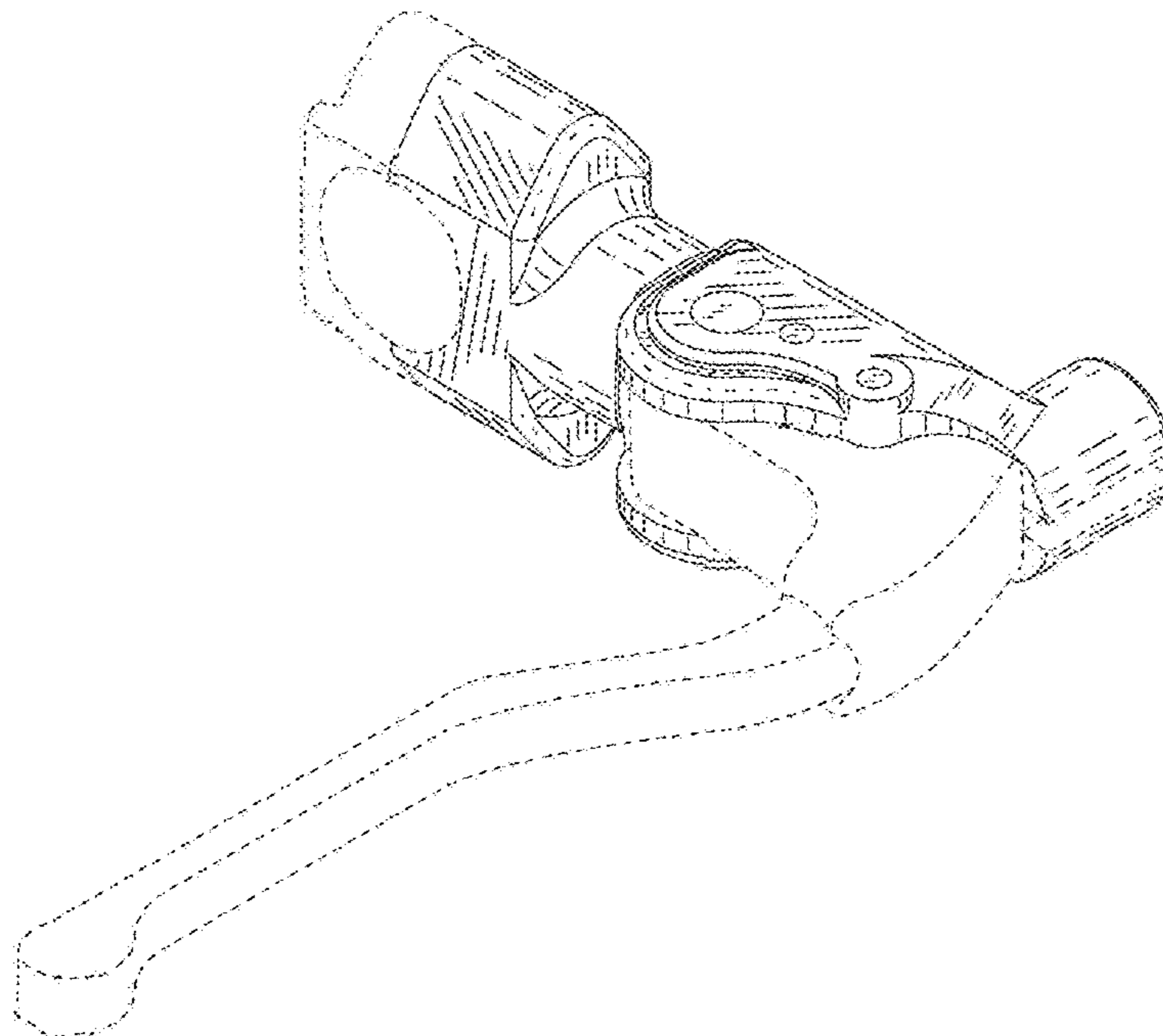
I claim the ornamental design for a mechanical clutch perch for motorcycle, as shown and described.

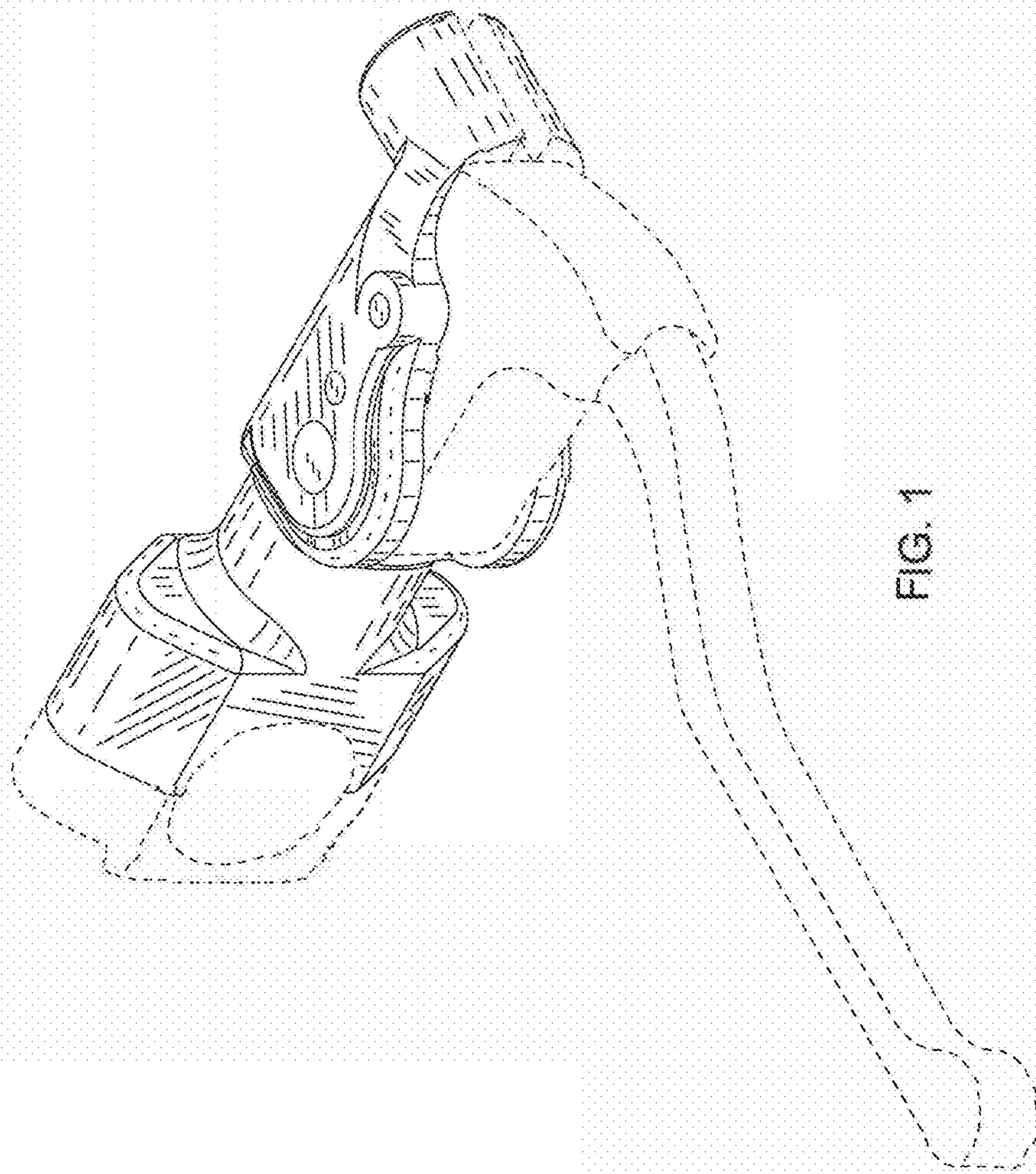
**DESCRIPTION**

FIG. 1 is a perspective view of a mechanical clutch perch for motorcycle in accordance with the present design;  
FIG. 2 is a front view thereof;  
FIG. 3 is a back view thereof;  
FIG. 4 is a left side view thereof;  
FIG. 5 is a right side view thereof;  
FIG. 6 is a top view thereof; and,  
FIG. 7 is a bottom view thereof.

The broken lines shown in the figures are for the purpose of illustrating portions of the mechanical clutch perch for motorcycle and form no part of the claimed design. The broken lines showing a lever in FIG. 1 are included for the purpose of illustrating environment and form no part of the claimed design.

**1 Claim, 7 Drawing Sheets**





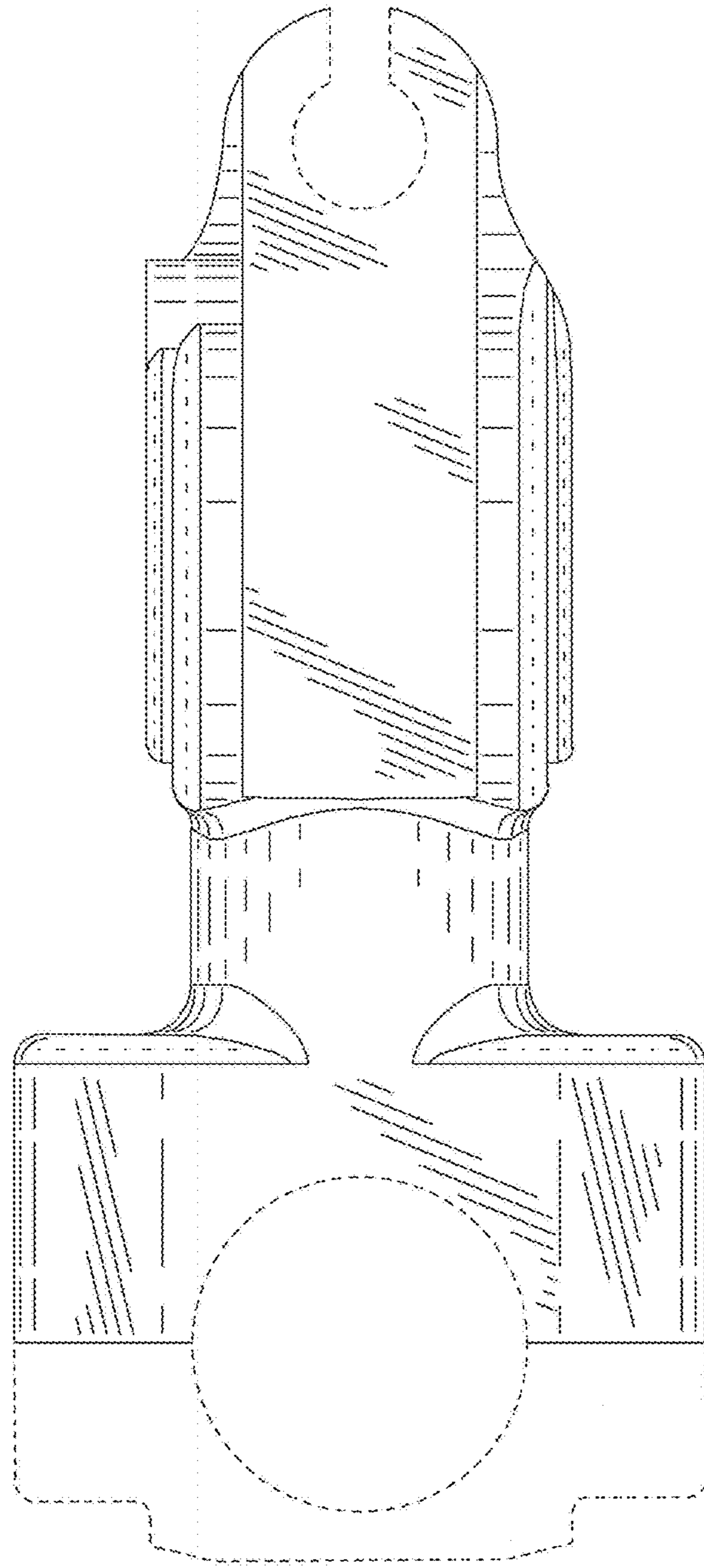


FIG. 2

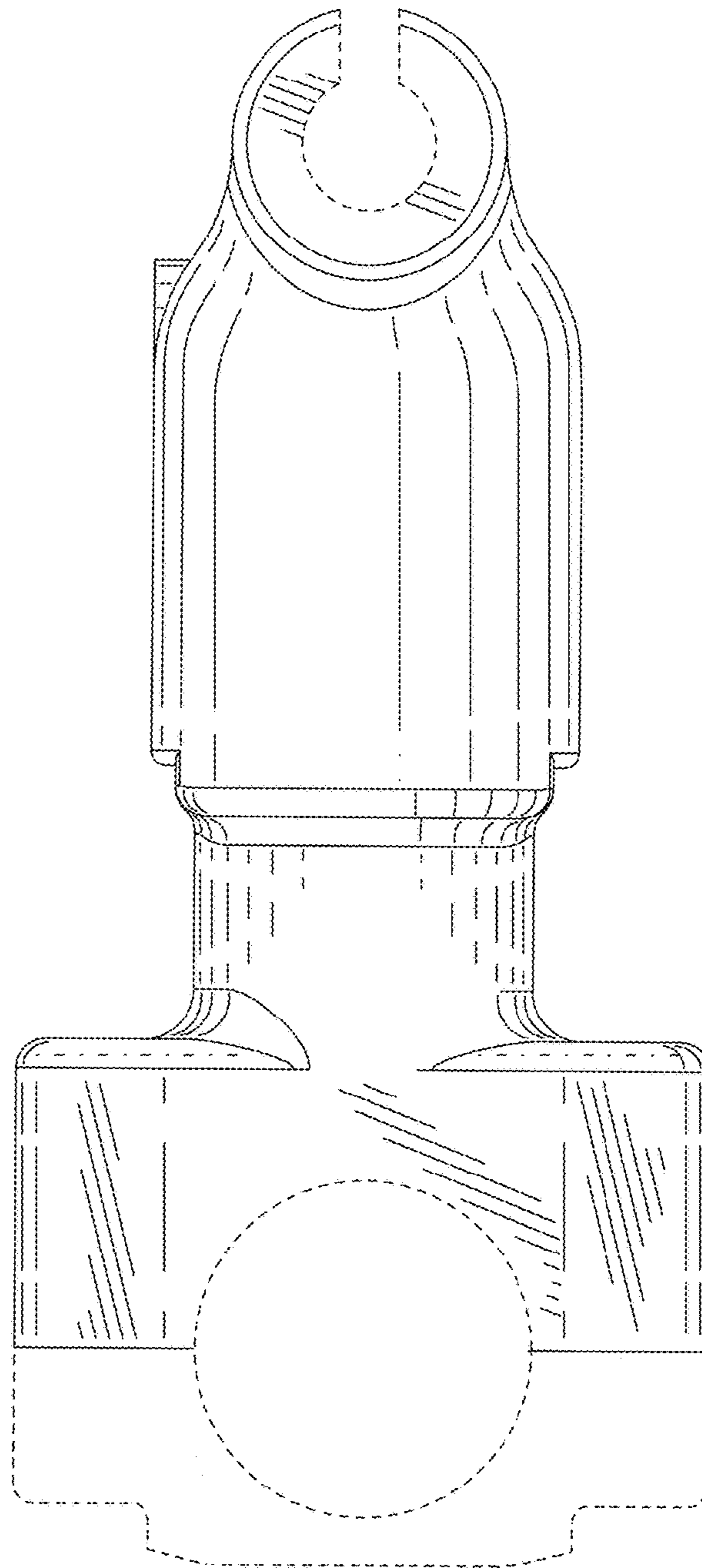


FIG. 3

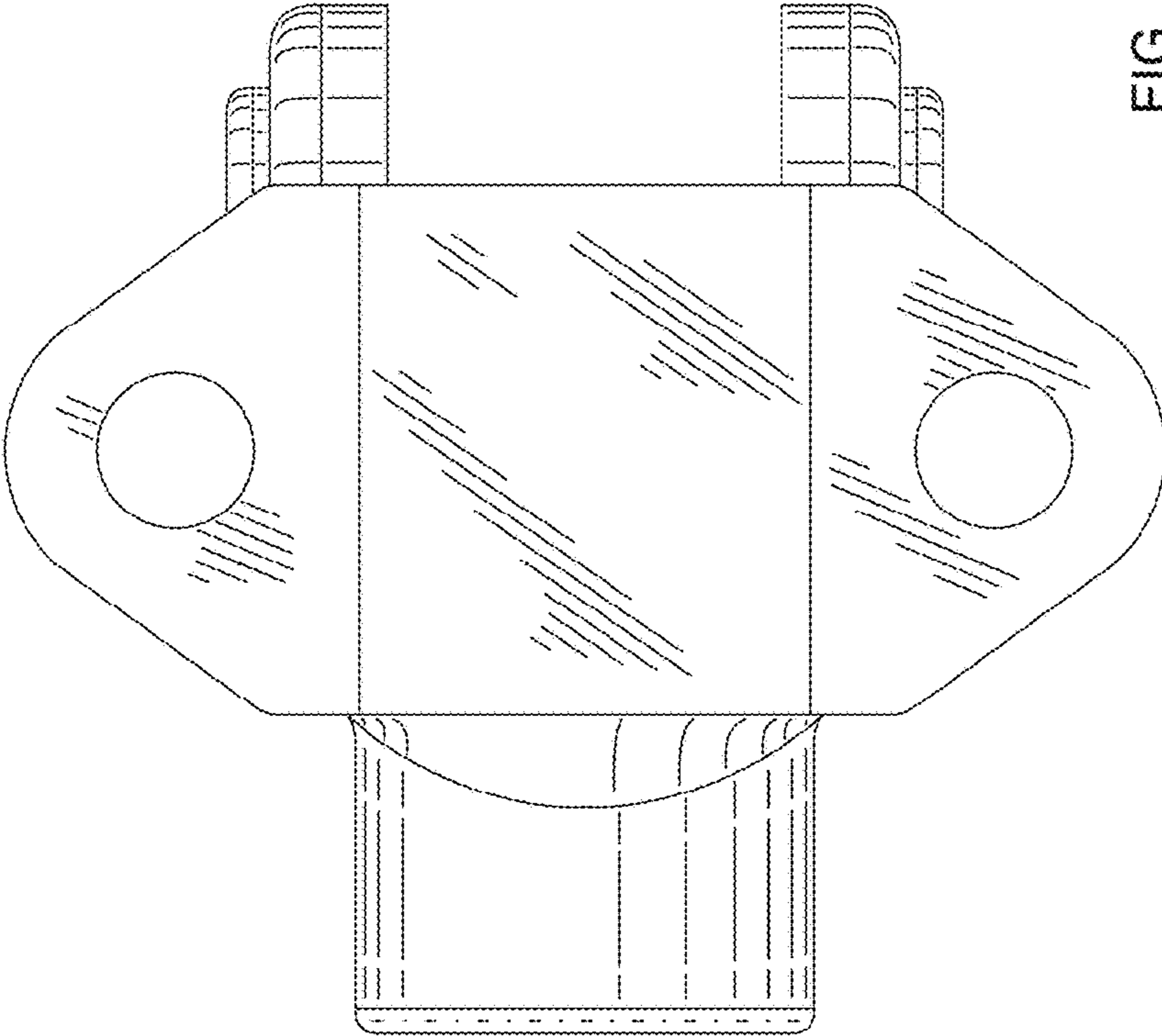


FIG. 4

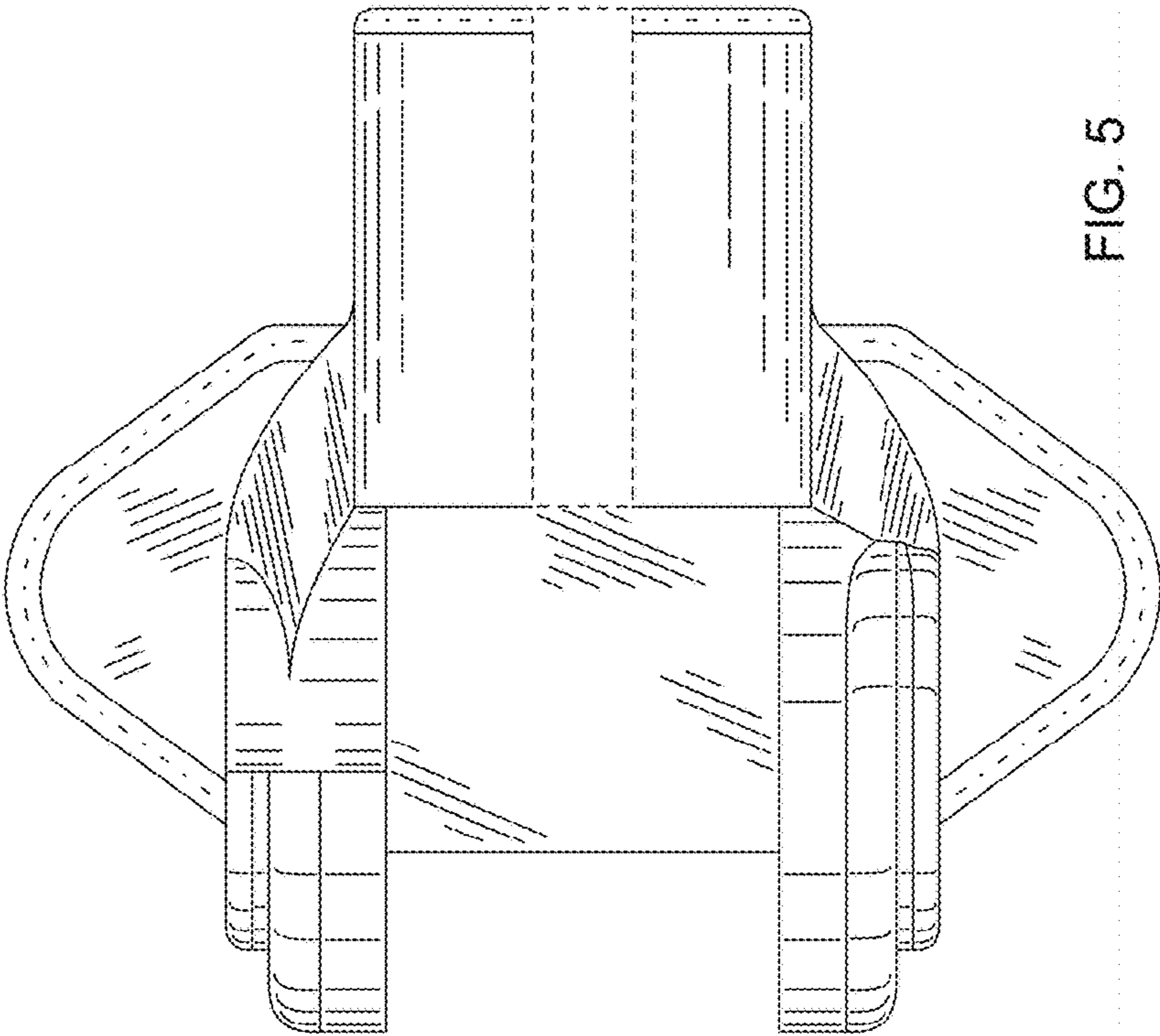


FIG. 5

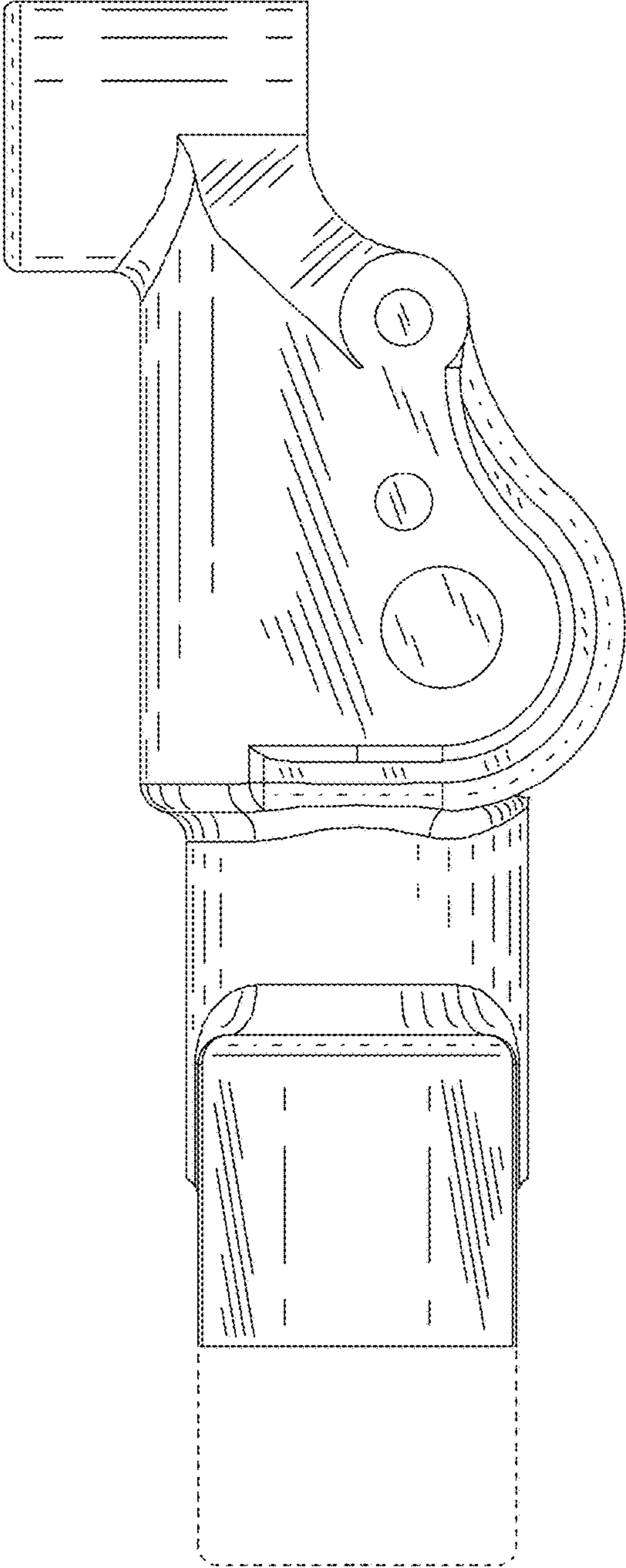


FIG. 6

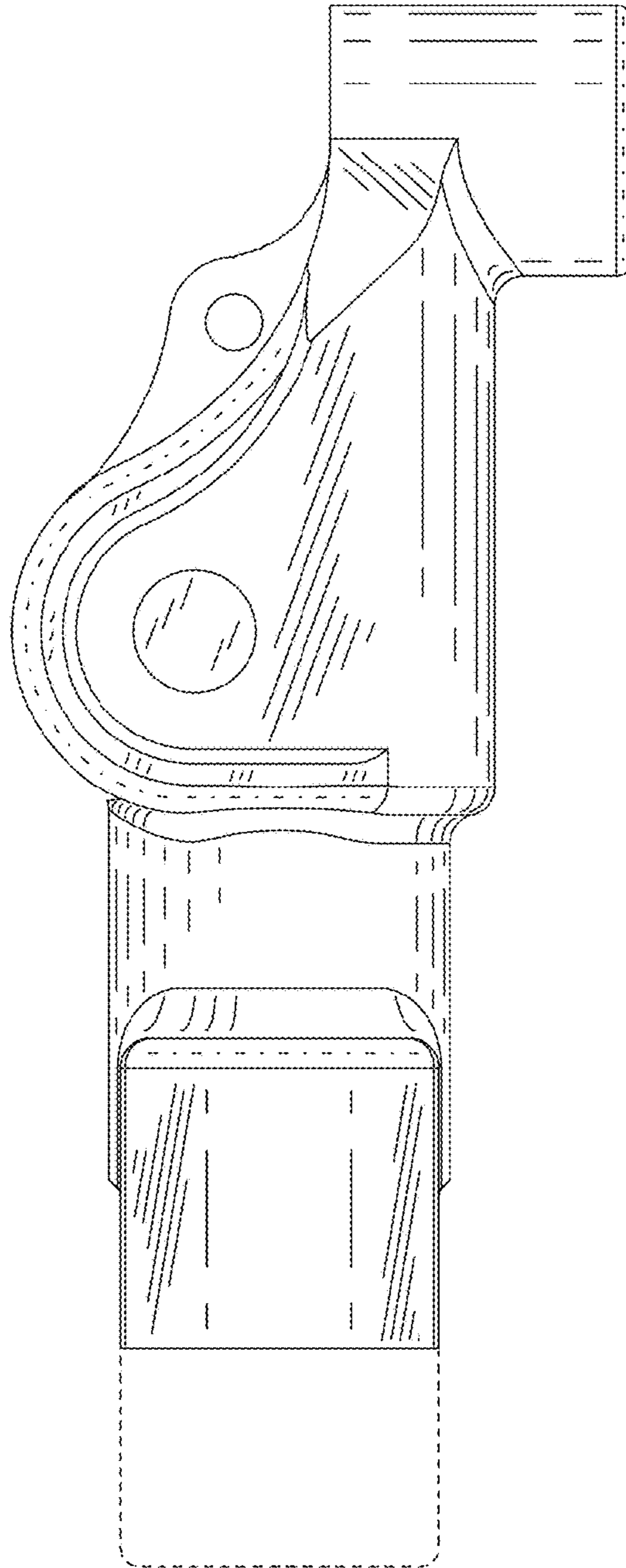


FIG. 7