



US00D850334S

(12) **United States Design Patent**  
**DiCanzio**

(10) **Patent No.:** **US D850,334 S**

(45) **Date of Patent:** **\*\* Jun. 4, 2019**

(54) **FRONT BUMPER**

(71) Applicant: **Michael DiCanzio**, West Chester, PA  
(US)

(72) Inventor: **Michael DiCanzio**, West Chester, PA  
(US)

(73) Assignee: **Turn 5, Inc.**, Paoli, PA (US)

(\*\*) Term: **15 Years**

(21) Appl. No.: **29/647,093**

(22) Filed: **May 9, 2018**

(51) **LOC (11) Cl.** ..... **12-16**

(52) **U.S. Cl.**  
USPC ..... **D12/169**; D12/171; D12/172

(58) **Field of Classification Search**  
USPC .... D12/169, 216, 90-92, 86, 171, 172, 196,  
D12/163, 190; 293/193.11; 296/180.1,  
296/180.2; 180/68.1, 68.6  
CPC ..... B62D 25/08; B62B 9/16; B60K 11/08;  
B60R 19/52; B60R 19/02; B60R 19/04  
See application file for complete search history.

(56) **References Cited**

**U.S. PATENT DOCUMENTS**

D760,133 S \* 6/2016 Bennett ..... D12/171  
D761,166 S \* 7/2016 Hare ..... D12/169

D776,582 S \* 1/2017 Bennett ..... D12/169  
D794,519 S \* 8/2017 McMath ..... D12/169  
D800,036 S \* 10/2017 Bennett ..... D12/169  
D803,734 S \* 11/2017 Bennett ..... D12/169  
D810,626 S \* 2/2018 Macey ..... D12/91  
D825,385 S \* 8/2018 Ma ..... D12/91  
D828,223 S \* 9/2018 Piscitelli ..... D12/91

\* cited by examiner

*Primary Examiner* — Melody N Brown

(74) *Attorney, Agent, or Firm* — Schott, P.C.

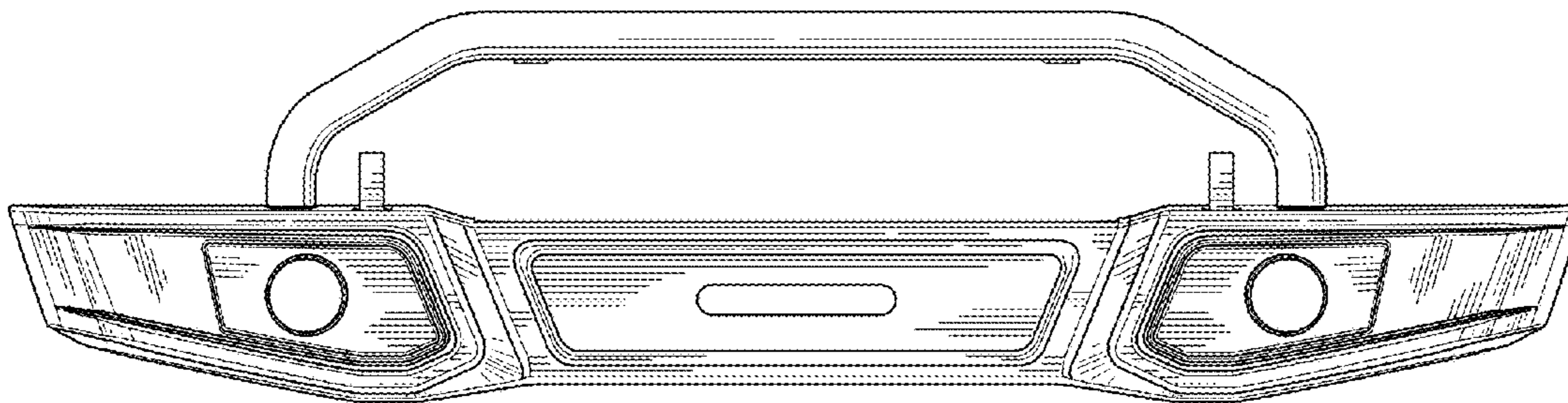
(57) **CLAIM**

The ornamental design for the front bumper, as shown and described.

**DESCRIPTION**

FIG. 1 is a top, front and right side perspective view of a front bumper showing my new design;  
FIG. 2 is a front and left side perspective view thereof;  
FIG. 3 is a top perspective view thereof;  
FIG. 4 is a front view thereof;  
FIG. 5 is a rear view thereof;  
FIG. 6 is a top view thereof;  
FIG. 7 is a bottom view thereof;  
FIG. 8 is a right side view thereof; and,  
FIG. 9 is a left side view thereof.

**1 Claim, 9 Drawing Sheets**



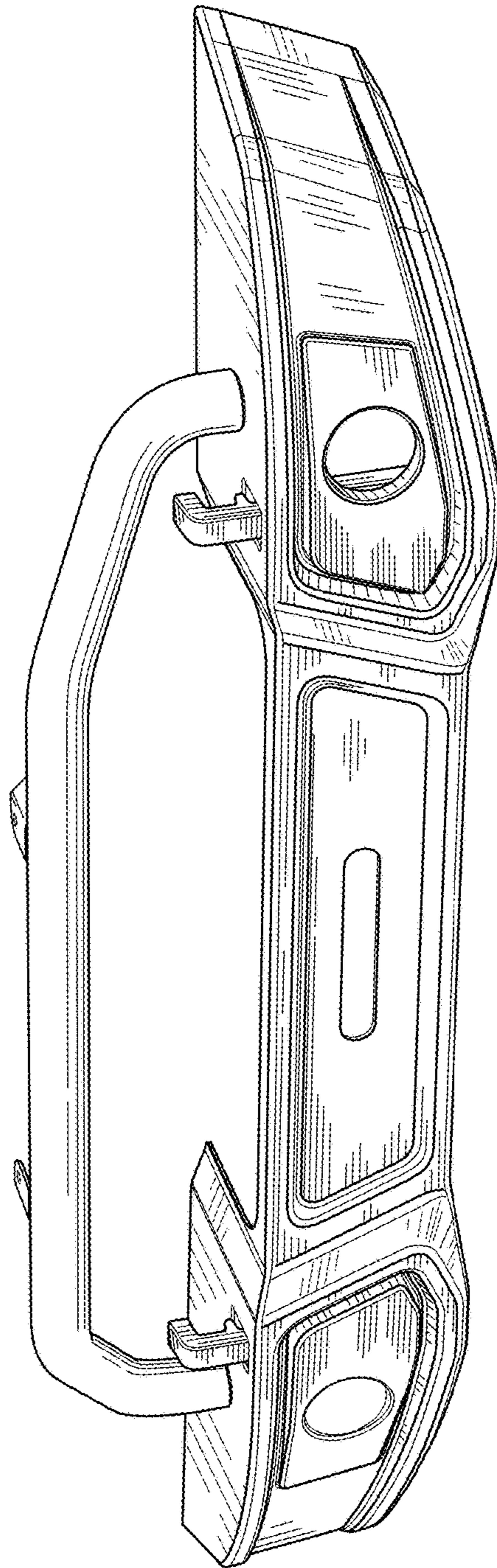


FIG. 1

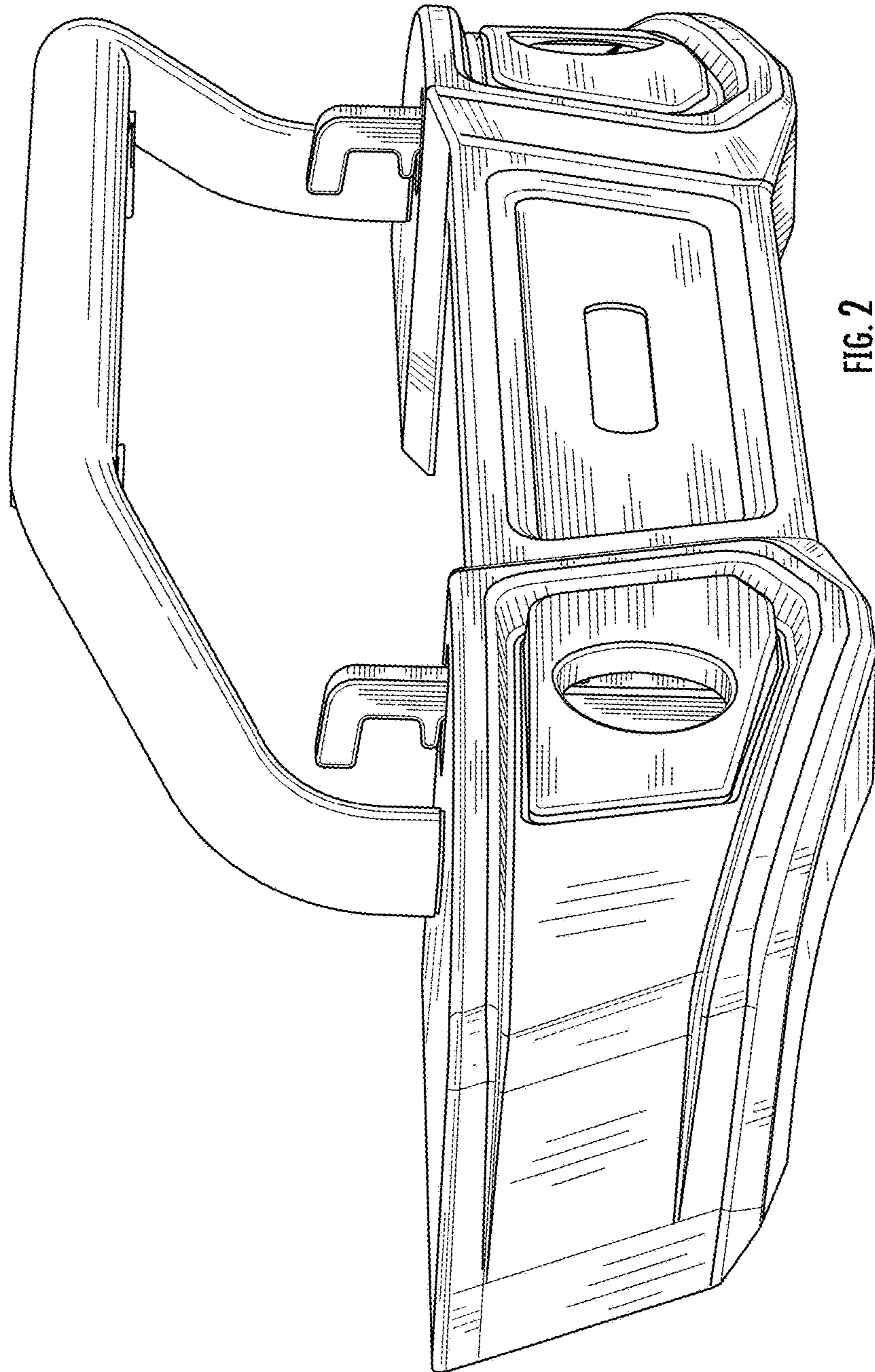


FIG. 2

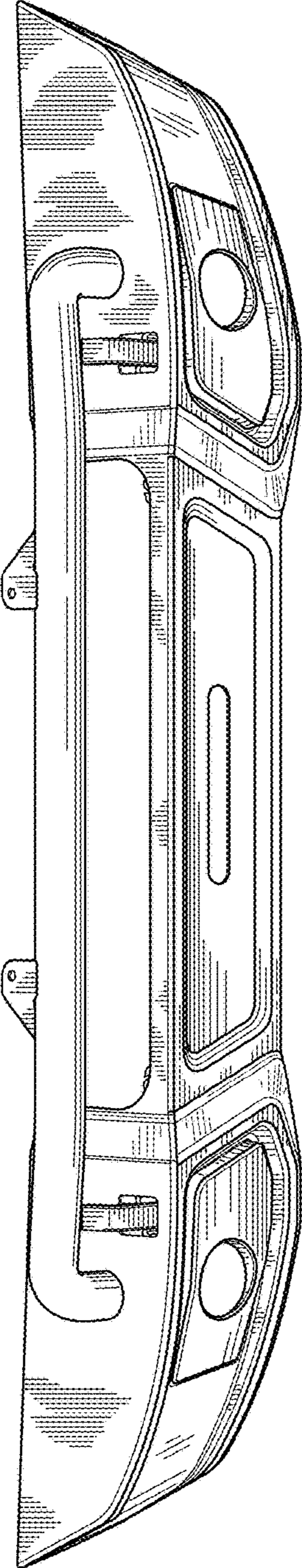


FIG. 3

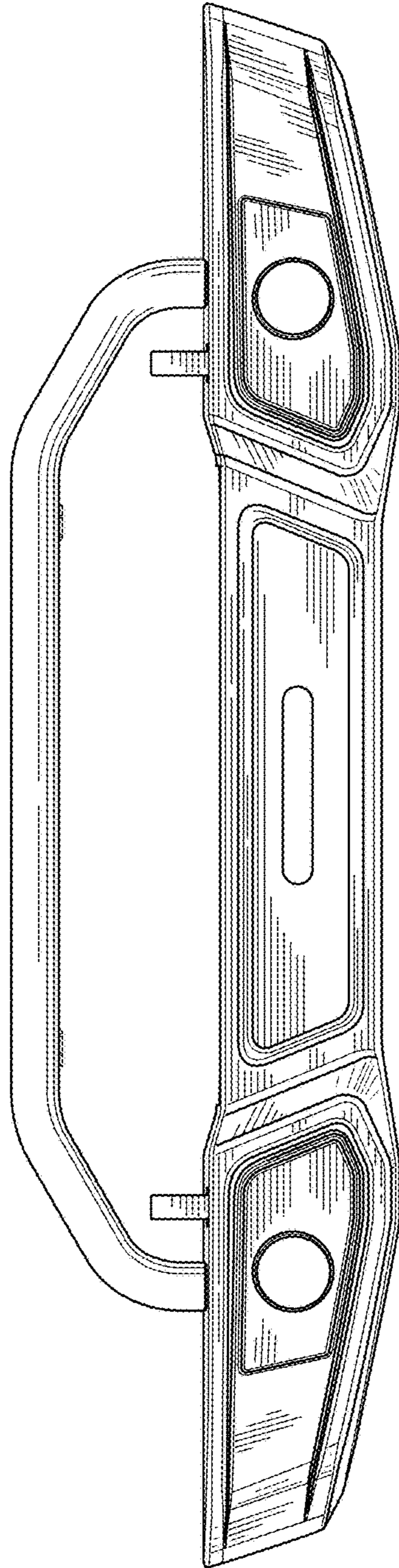


FIG. 4

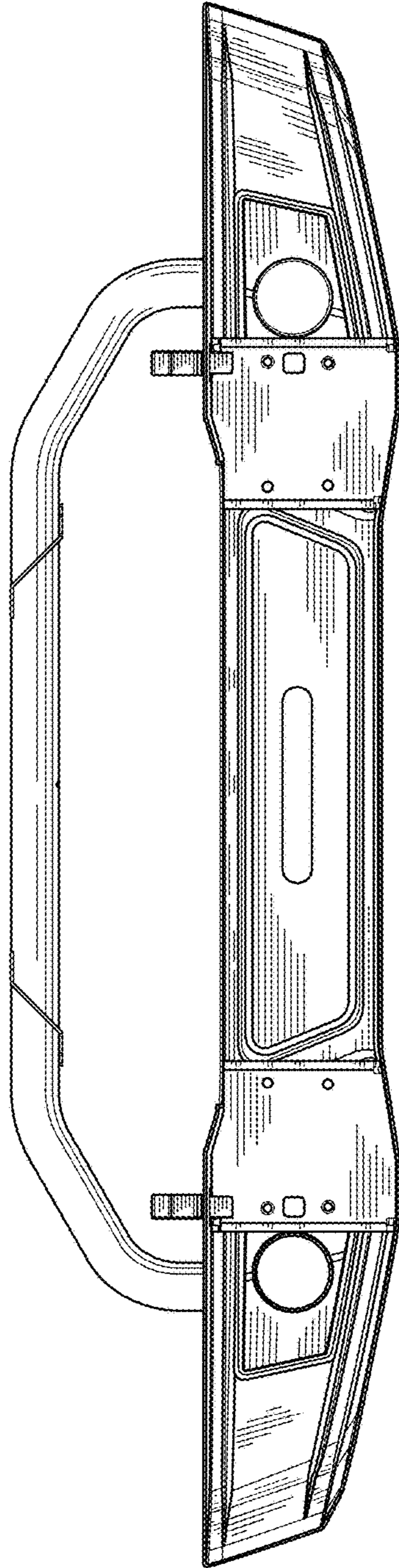


FIG. 5

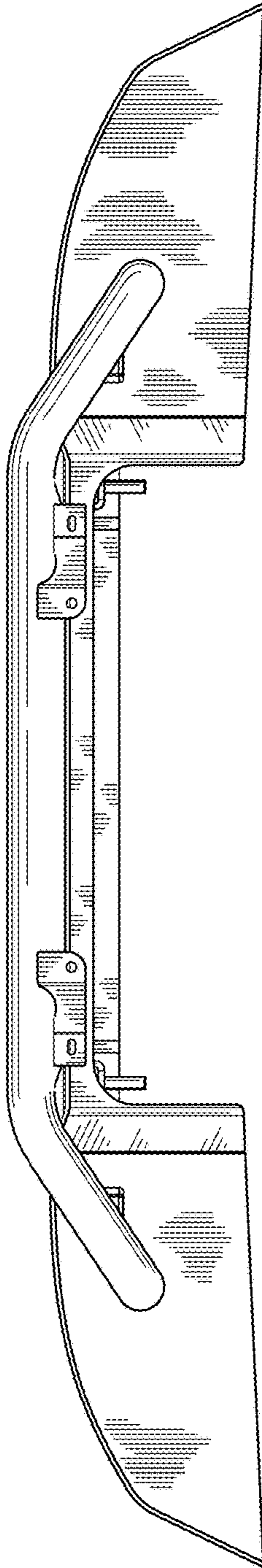


FIG. 6

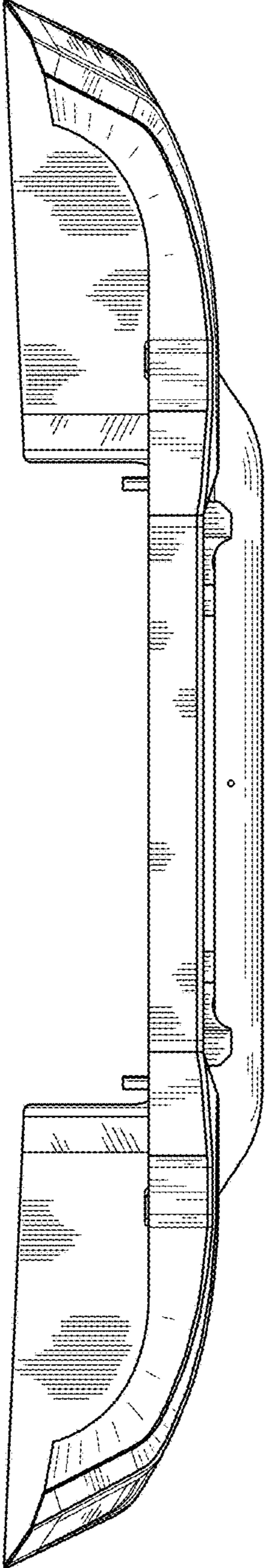


FIG. 7



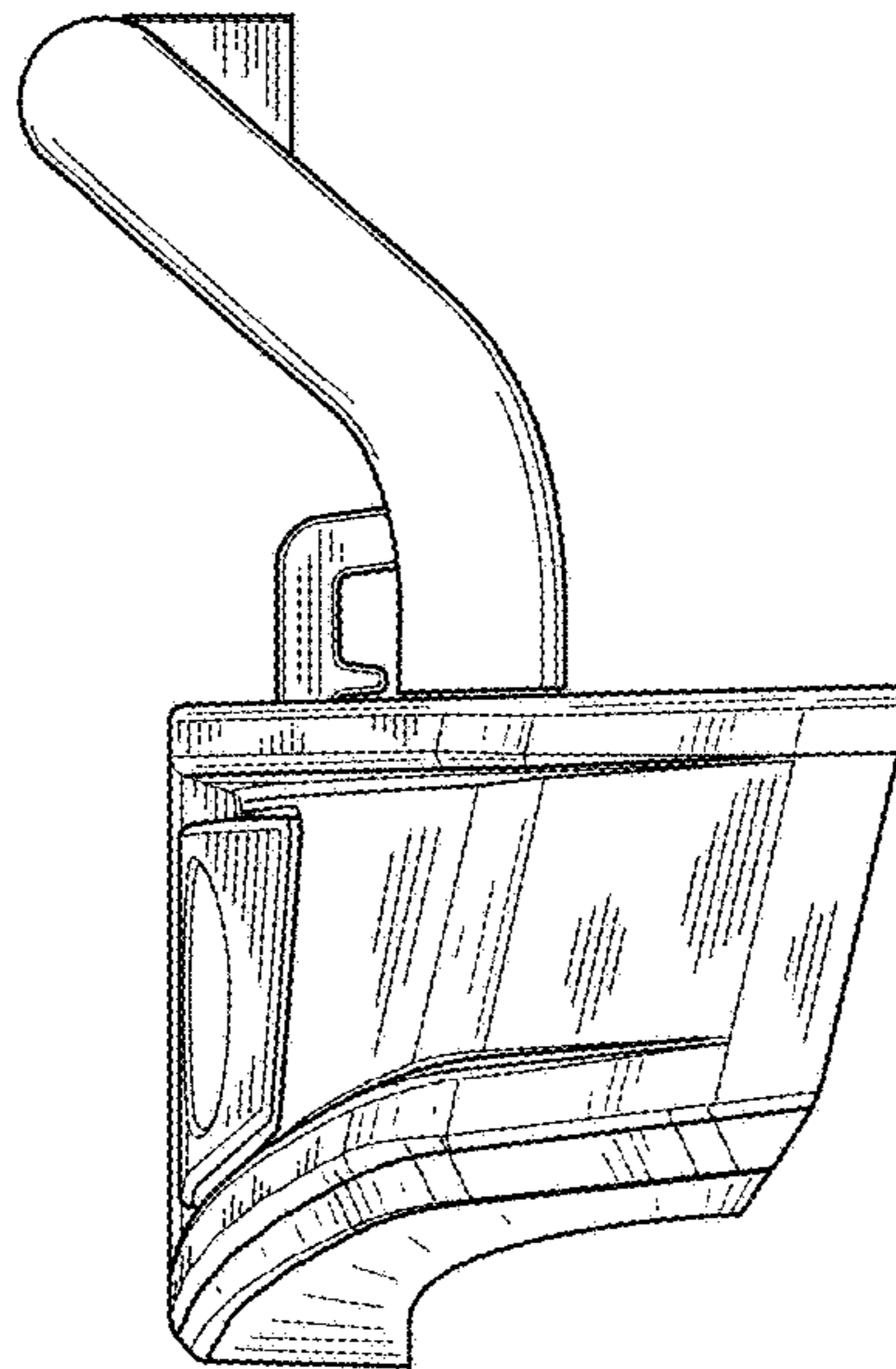


FIG. 8

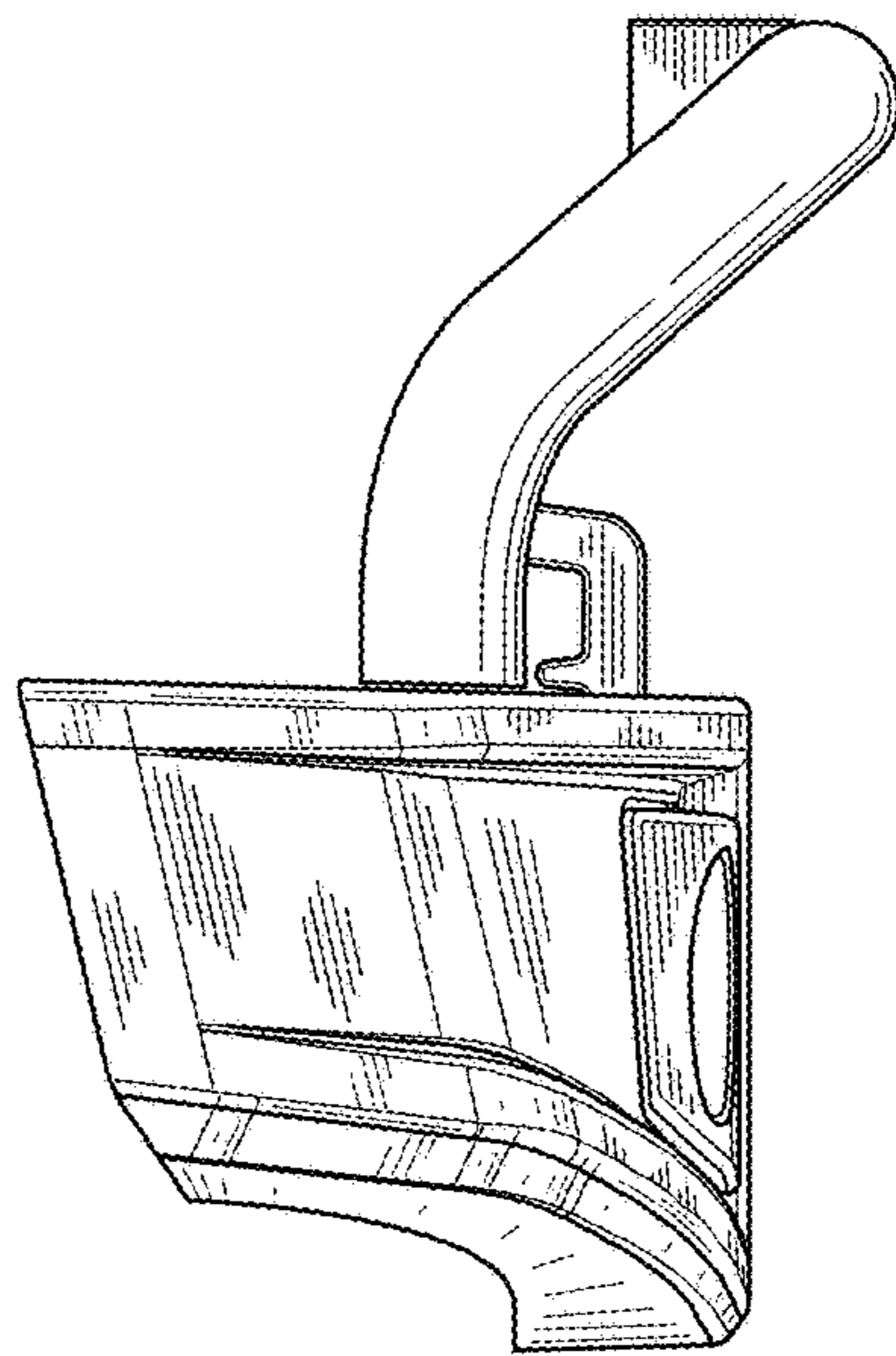


FIG. 9