



US00D850332S

(12) **United States Design Patent**
DiCanzio

(10) **Patent No.:** **US D850,332 S**

(45) **Date of Patent:** **** Jun. 4, 2019**

(54) **VEHICLE GRILLE**

(71) Applicant: **Turn 5, Inc.**, Malvern, PA (US)

(72) Inventor: **Michael DiCanzio**, West Chester, PA (US)

(73) Assignee: **Turn 5, Inc.**, Paoli, PA (US)

(**) Term: **15 Years**

(21) Appl. No.: **29/613,282**

(22) Filed: **Aug. 9, 2017**

(51) **LOC (11) Cl.** **12-16**

(52) **U.S. Cl.**
USPC **D12/169**; D12/163

(58) **Field of Classification Search**
USPC D12/86, 90-92, 114, 163, 169, 171-173,
D12/181, 190, 196, 197, 199, 400;
D17/1, 222; D26/28-36
CPC .. B62J 6/02; B62J 6/00; B60Q 3/0279; B60Q
3/104; B60Q 3/10408; B60Q 3/10466;
B60Q 3/12653; B60Q 3/128; F21S 48/00;
F21S 48/10; F21S 48/115; F21S 48/225;
F21S 48/1233; F21S 48/1266; F21S
48/1388; F21S 48/2268; F21V 21/04
See application file for complete search history.

(56) **References Cited**

U.S. PATENT DOCUMENTS

D470,613 S	*	2/2003	Huang	D26/28
D481,474 S	*	10/2003	Yang	D26/28
D531,332 S	*	10/2006	Duvall	D26/28
D533,484 S	*	12/2006	Behmer	D12/163
D535,223 S	*	1/2007	Gaffka	D12/163
D568,502 S	*	5/2008	Kudo	D26/28
D569,772 S	*	5/2008	Saridakis	D12/163
D577,636 S	*	9/2008	Saridakis	D12/163
D580,308 S	*	11/2008	Ebel	D12/163
D589,853 S	*	4/2009	Saridakis	D12/163
D591,210 S	*	4/2009	Woolley	D12/169
D613,648 S	*	4/2010	Wong	D12/163

D676,166 S	*	2/2013	Lai	D26/28
D718,893 S	*	12/2014	Lai	D26/28
D720,870 S	*	1/2015	Lim	D26/28
D721,450 S	*	1/2015	Lai	D26/28
D746,495 S	*	12/2015	Gorsten Schuenemann	..	D26/28
D758,928 S	*	6/2016	Messale	D12/163
D761,463 S	*	7/2016	Lai	D26/28
D782,085 S	*	3/2017	Hanson	D26/28
D783,467 S	*	4/2017	Svensson	D12/163

(Continued)

OTHER PUBLICATIONS

The Mustang Source | Forums | 05-09 GT Center Fog Light Grille + Lights, posted on Feb. 12, 2011, © 2018 MH Sub I, LLC [online], [site visited Jan. 22, 2019]. Available from Internet, <URL: https://themustangsource.com/forums/f722/05-09-gt-center-fog-light-grille-lights-491664/>.*

Primary Examiner — Philip S Hyder
Assistant Examiner — Cary M Robinson
(74) *Attorney, Agent, or Firm* — Schott, P.C.

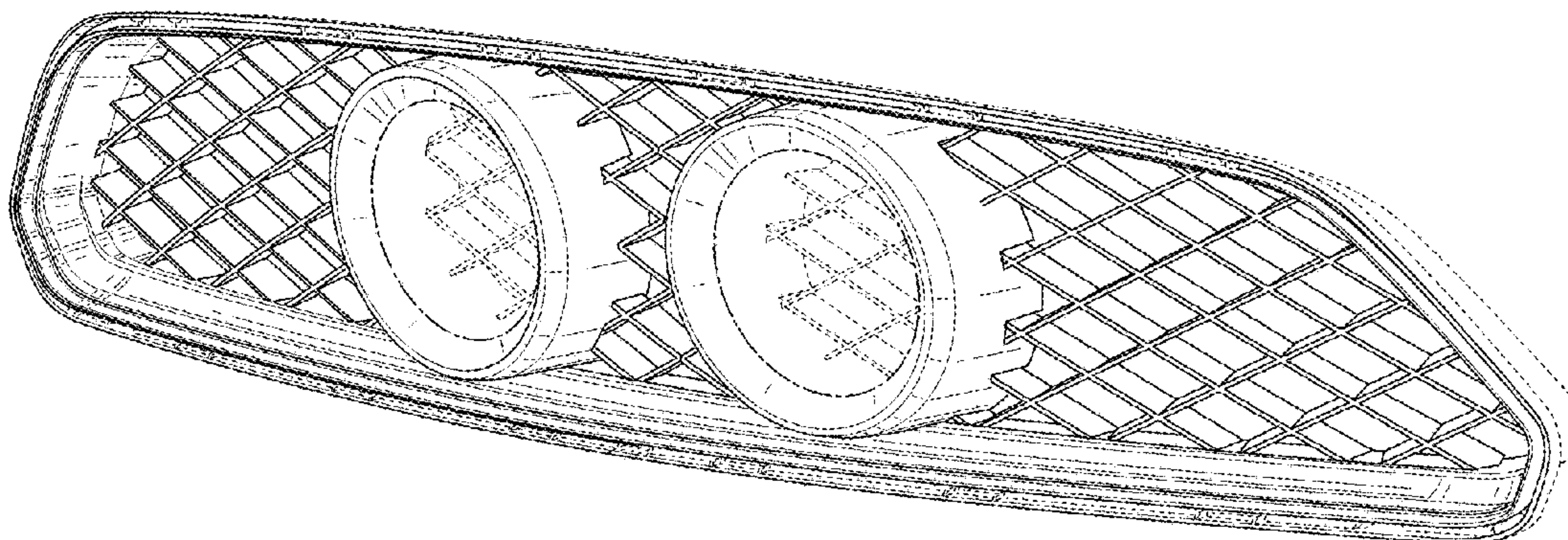
(57) **CLAIM**

The ornamental design for the vehicle grille, as shown and described.

DESCRIPTION

FIG. 1 is a perspective view of the grille mounted lights of the present invention;
FIG. 2 is a front view thereof;
FIG. 3 is a rear view thereof;
FIG. 4 is a top view thereof;
FIG. 5 is a bottom view thereof;
FIG. 6 is a front elevation view thereof;
FIG. 7 is a rear elevation view thereof; and,
FIG. 8 is a perspective view thereof in a potential environment.
The broken lines illustrate portions of the grille mounted lights in which the design is embodied that form no part of the claimed design.

1 Claim, 6 Drawing Sheets



(56)

References Cited

U.S. PATENT DOCUMENTS

D796,715 S * 9/2017 Lin D26/28
D827,508 S * 9/2018 Whitla D12/163
D830,243 S * 10/2018 Gueler D12/163
D832,142 S * 10/2018 Gueler D12/91
D832,143 S * 10/2018 Gueler D12/91
D835,003 S * 12/2018 Thompson D12/91
D836,502 S * 12/2018 Koo D12/163
D836,503 S * 12/2018 Koo D12/163
D837,105 S * 1/2019 Loeb D12/163

* cited by examiner

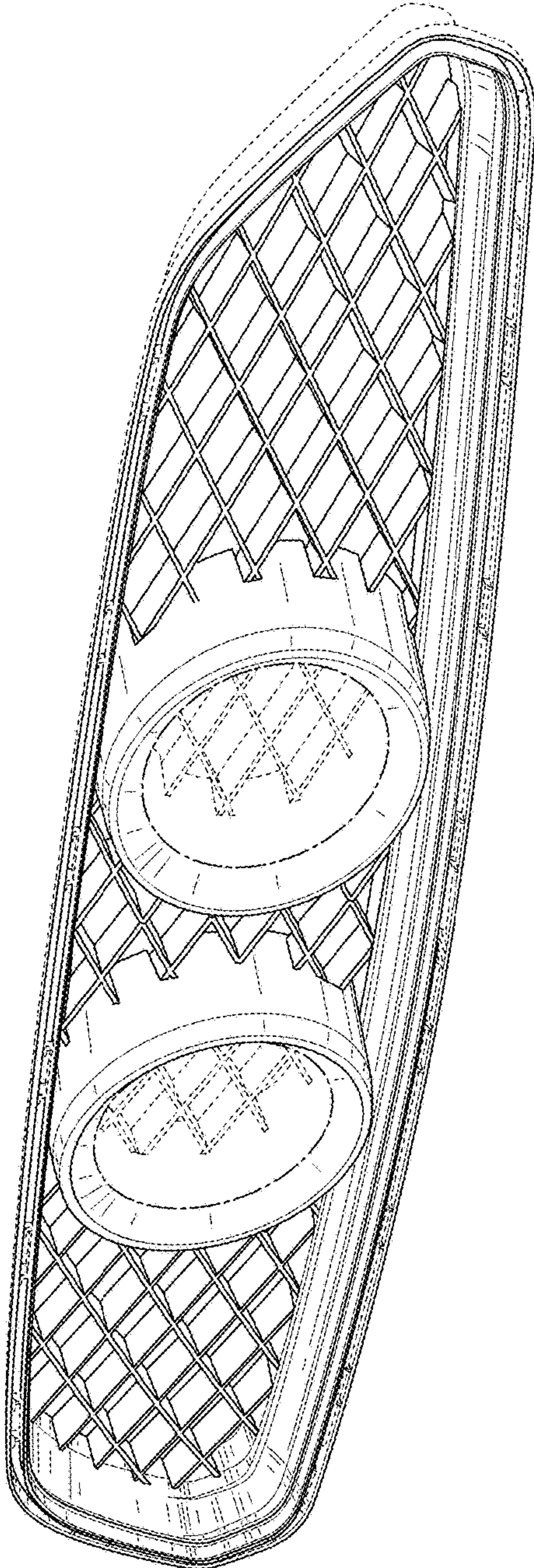


FIG. 1

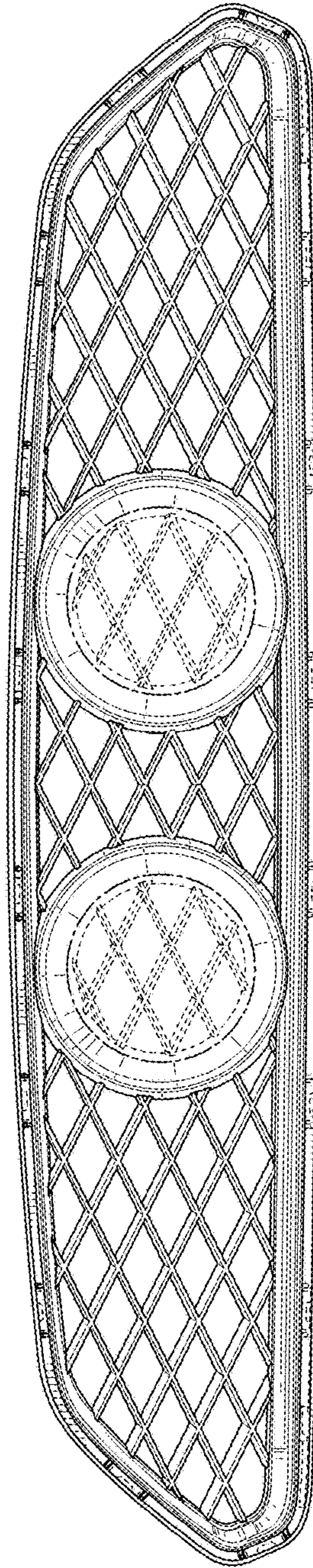


FIG. 2

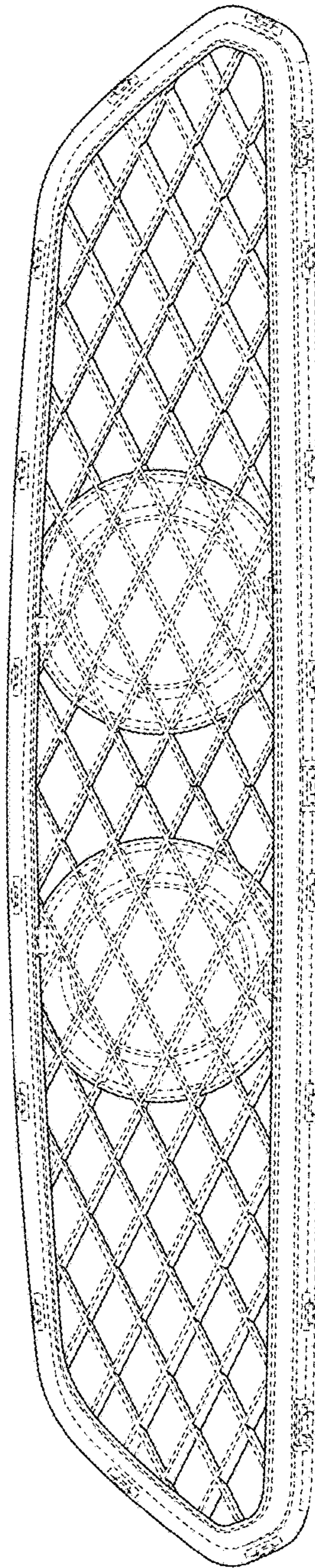


FIG. 3

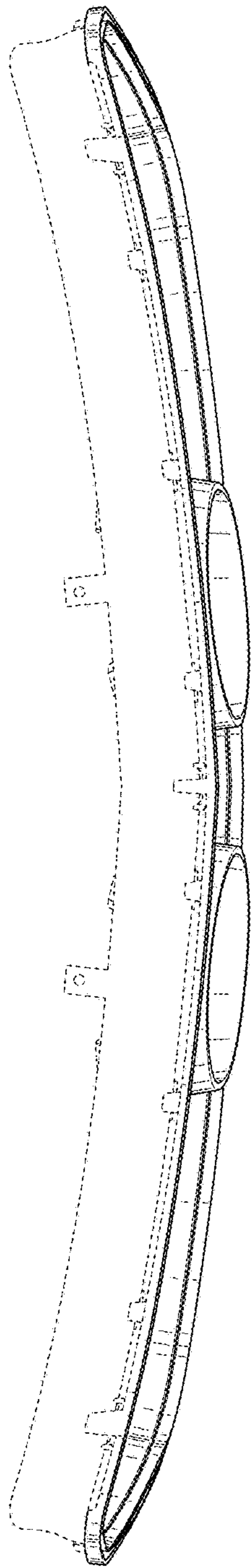


FIG. 4

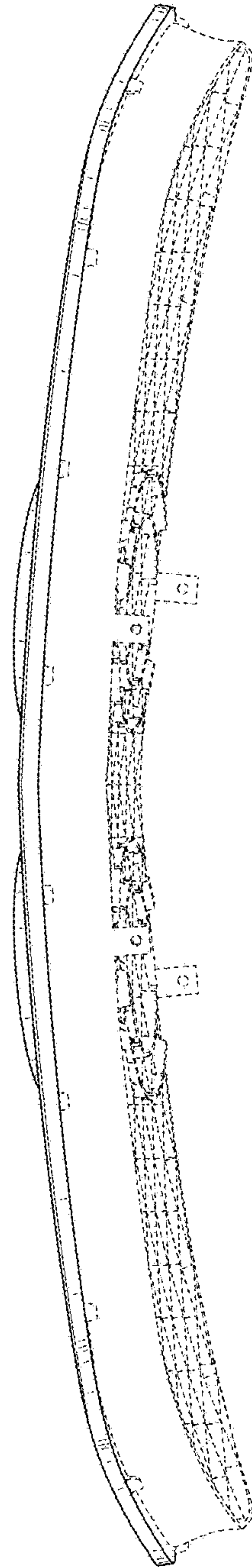


FIG. 5

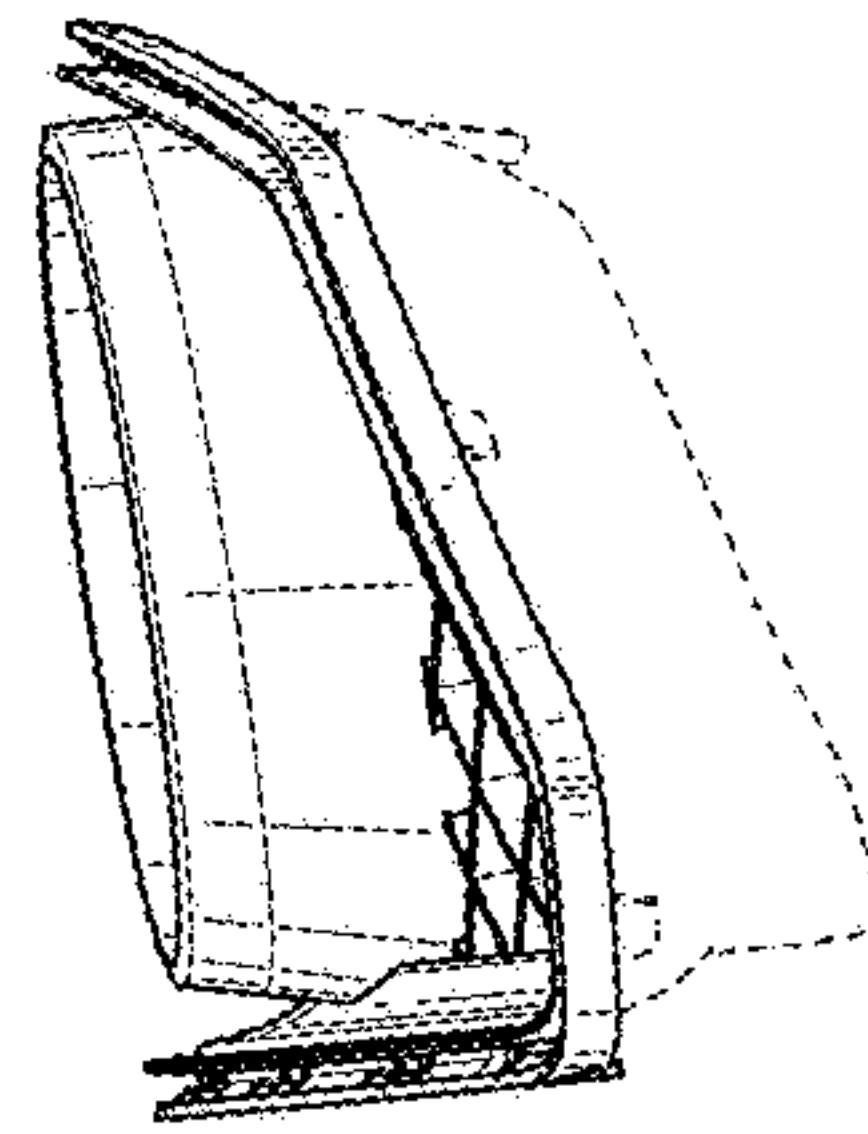


FIG. 6

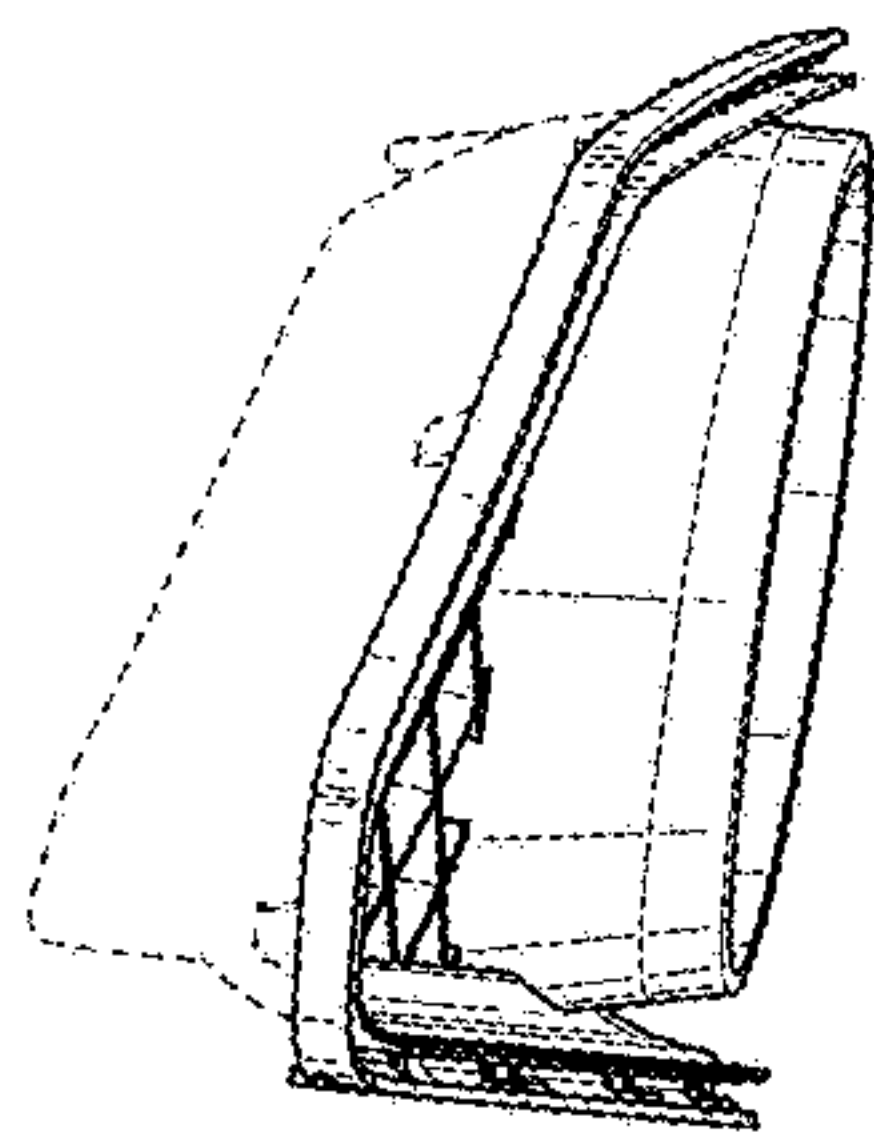


FIG. 7

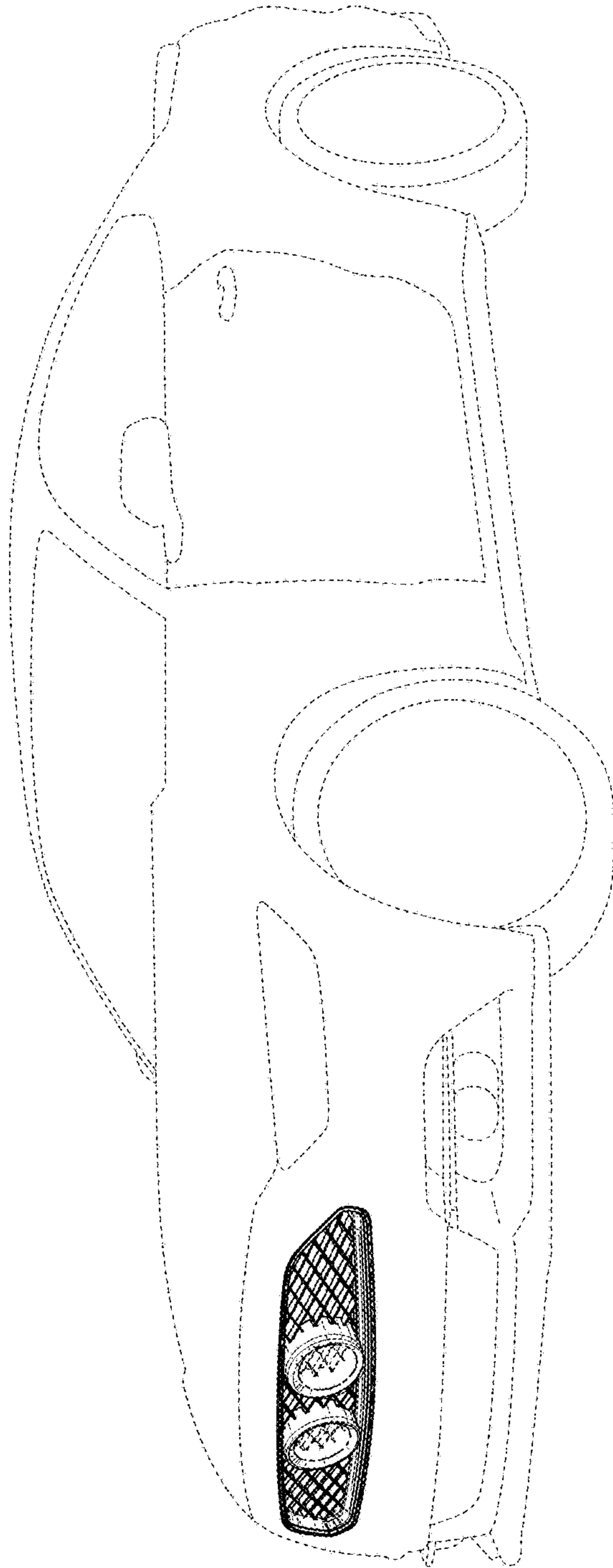


FIG. 8