



US00D850330S

(12) **United States Design Patent** (10) **Patent No.:** **US D850,330 S**  
**Olsen et al.** (45) **Date of Patent:** **\*\* Jun. 4, 2019**

(54) **TRUCK VEHICLE GRILLE**  
(71) Applicant: **International Truck Intellectual Property Company, LLC**, Lisle, IL (US)  
(72) Inventors: **David James Olsen**, Aurora, IL (US); **Stephen C. Aris**, St. Charles, IL (US); **Chris Ito**, Sugar Grove, IL (US)  
(73) Assignee: **International Truck Intellectual Property Company, LLC**, Lisle, IL (US)  
(\*\*) Term: **15 Years**  
(21) Appl. No.: **29/602,972**  
(22) Filed: **May 5, 2017**  
(51) **LOC (11) Cl.** ..... **12-16**  
(52) **U.S. Cl.**  
USPC ..... **D12/163**  
(58) **Field of Classification Search**  
USPC ..... D12/86, 90, 91, 92, 163, 169, 196, 171, D12/216; D15/31  
CPC . B60R 19/52; B60R 2019/525; B60K 11/085; B62D 25/084; H01Q 1/32  
See application file for complete search history.

D551,599 S \* 9/2007 Simons ..... D12/163  
D551,600 S \* 9/2007 Simons ..... D12/163  
D557,183 S 12/2007 Beigel et al.  
D558,643 S \* 1/2008 Beigel ..... D12/96  
D566,015 S 4/2008 Beigel et al.  
D592,561 S \* 5/2009 Otto ..... D12/163  
D612,776 S 3/2010 Beigel et al.  
D619,054 S \* 7/2010 Beigel ..... D12/163  
D627,692 S \* 11/2010 Cheng ..... D12/163  
D637,530 S \* 5/2011 Aris ..... D12/163  
D640,175 S \* 6/2011 Villamizar ..... D12/163  
D645,797 S \* 9/2011 Beigel ..... D12/163  
D647,827 S \* 11/2011 Medina ..... D12/163  
D673,089 S 12/2012 Parkes et al.  
D673,486 S 1/2013 Parkes et al.  
D691,072 S \* 10/2013 Cheng ..... D12/163  
D698,288 S \* 1/2014 Riggs ..... D12/163  
D708,992 S \* 7/2014 Ito ..... D12/163  
D709,410 S \* 7/2014 Conway ..... D12/163  
D710,765 S \* 8/2014 Conway ..... D12/163

(Continued)

Primary Examiner — Darlington Ly

(74) *Attorney, Agent, or Firm* — Jeffrey P. Calfa; Mark C. Bach

(57) **CLAIM**

The ornamental design for a truck vehicle grille, as shown and described.

**DESCRIPTION**

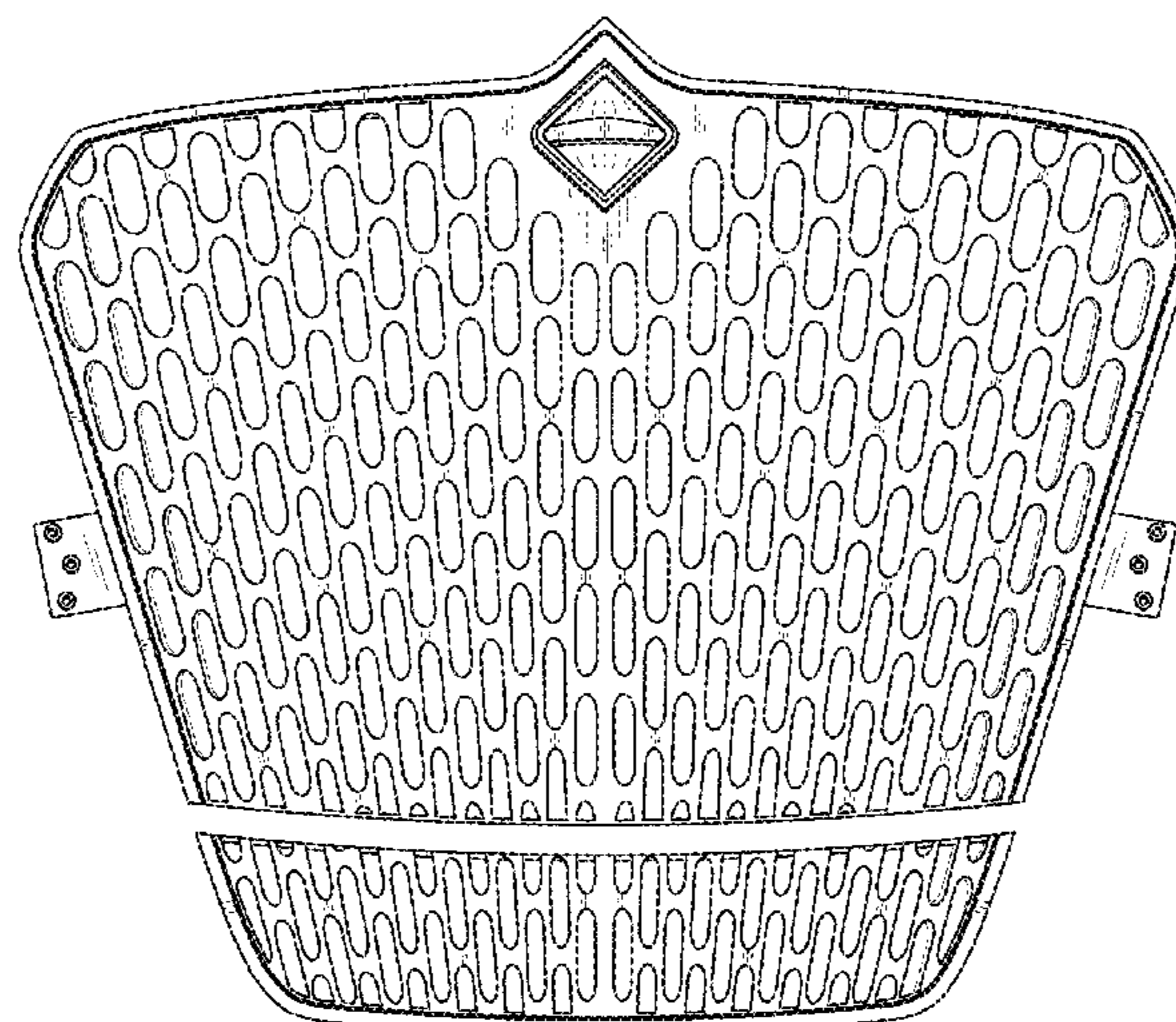
This invention was made with U.S. Government support under DE-EE0003303 awarded by The U.S. Department of Energy. The U.S. Government has certain rights in this invention.

FIG. 1 is a front elevation view of the truck vehicle grille; FIG. 2 is a rear elevation view thereof; FIG. 3 is a top and rear perspective view thereof; FIG. 4 is a top and front perspective view thereof; FIG. 5 is a right hand side elevation view thereof; and, FIG. 6 is a left hand side elevation view thereof.

**1 Claim, 6 Drawing Sheets**

(56) **References Cited**  
U.S. PATENT DOCUMENTS

D400,836 S 11/1998 Reynard et al.  
D403,285 S 12/1998 Abalos et al.  
D445,384 S 7/2001 Tirey et al.  
D447,099 S \* 8/2001 Tirey ..... D12/163  
D452,464 S \* 12/2001 Beigel ..... D12/163  
D455,381 S \* 4/2002 Maher ..... D12/163  
D522,936 S \* 6/2006 Beigel ..... D12/163  
D542,715 S \* 5/2007 Beigel ..... D12/96  
D545,730 S \* 7/2007 Lee ..... D12/163



(56)

**References Cited**

U.S. PATENT DOCUMENTS

D742,287 S *	11/2015	Hanson .....	D12/163
D759,550 S *	6/2016	Vena .....	D12/163
D786,742 S	5/2017	Ito et al.	
D787,384 S *	5/2017	Ito .....	D12/163
D787,399 S	5/2017	Ito et al.	
D790,410 S *	6/2017	Ito .....	D12/163
D803,730 S *	11/2017	Ito .....	D12/163
D823,184 S *	7/2018	Yates .....	D12/163
2009/0085361 A1 *	4/2009	Rosen .....	B60R 13/04 293/120
2013/0025954 A1 *	1/2013	Miller .....	B62D 25/10 180/69.21

\* cited by examiner

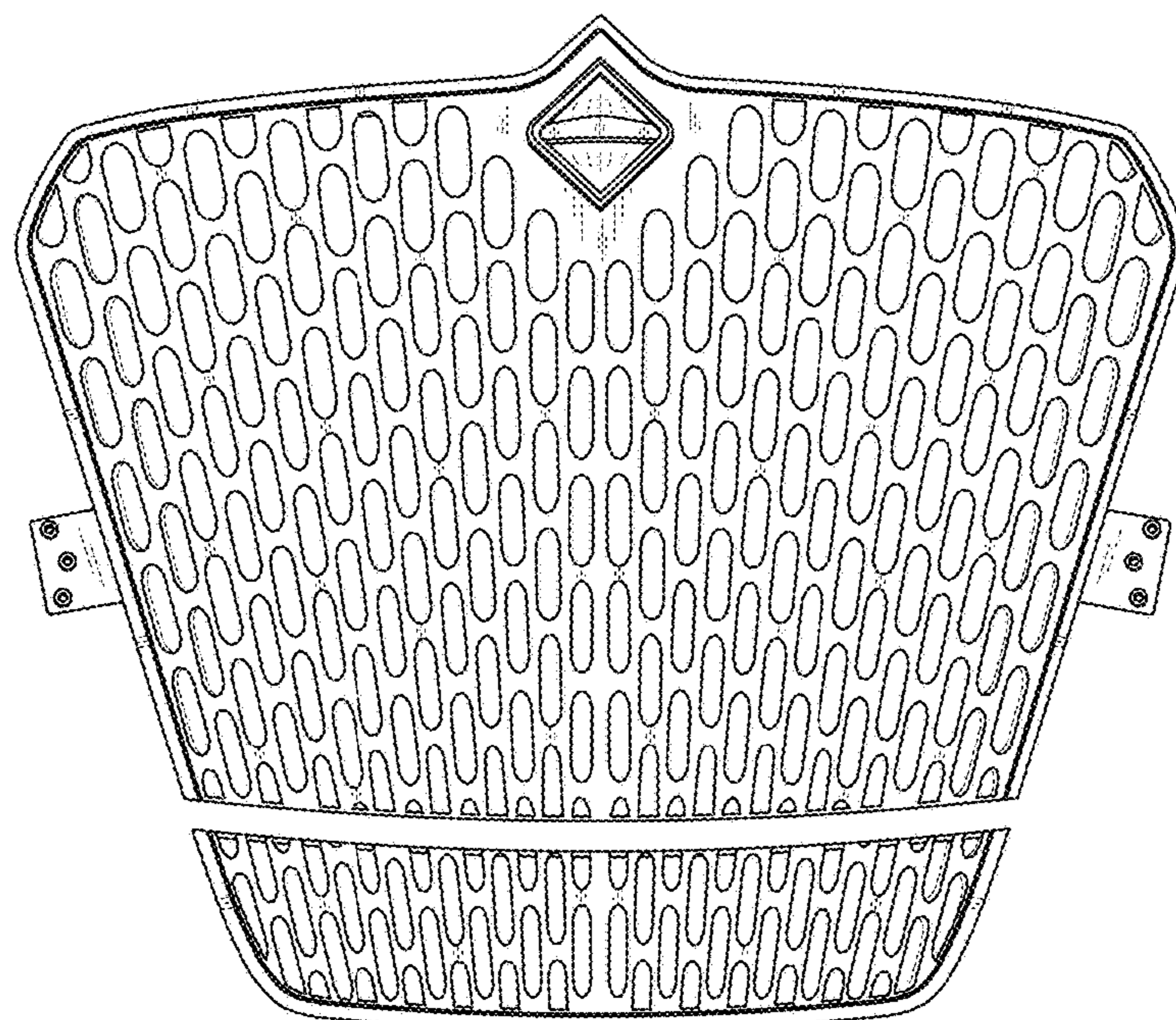


FIG. 1

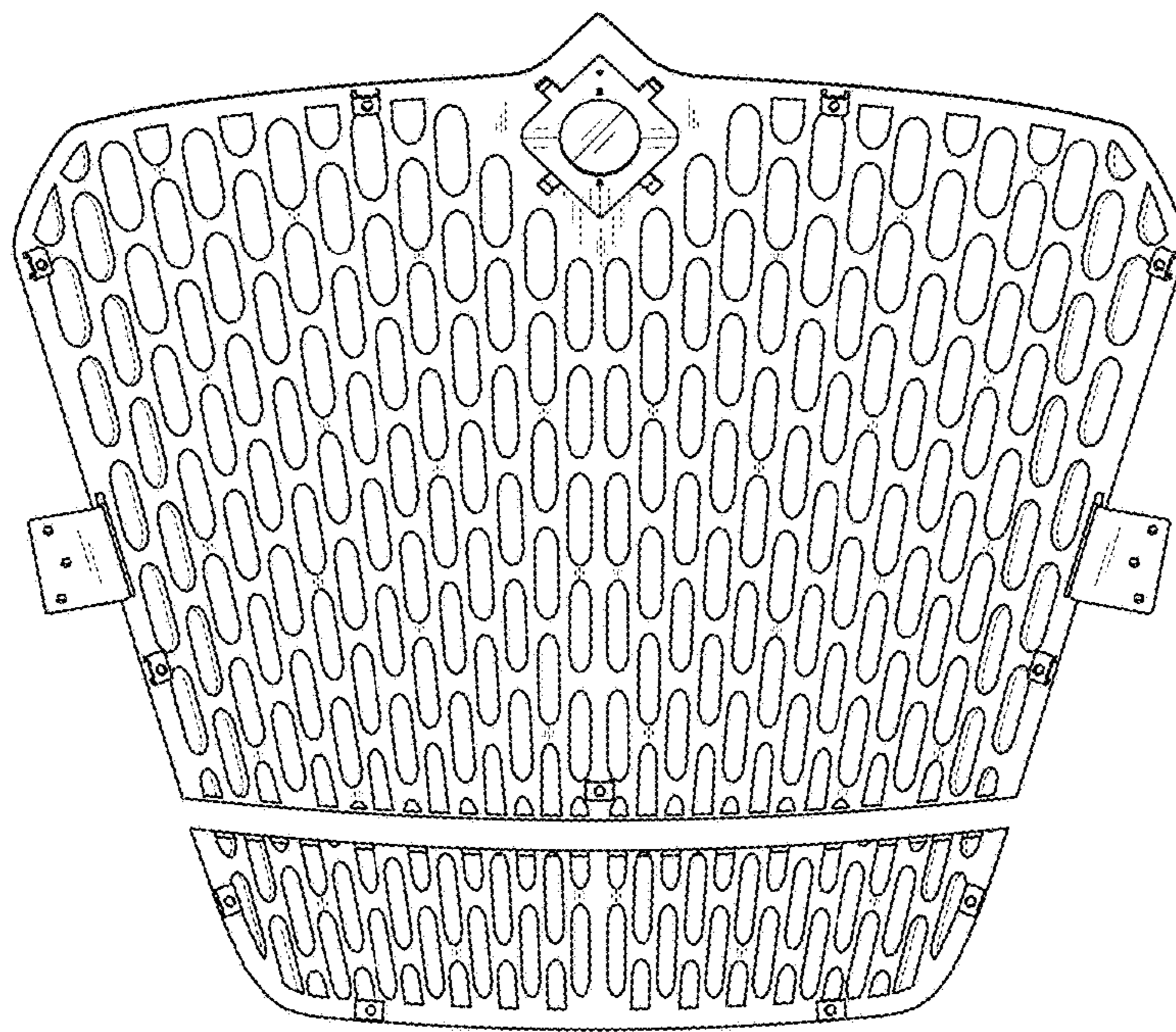


FIG. 2

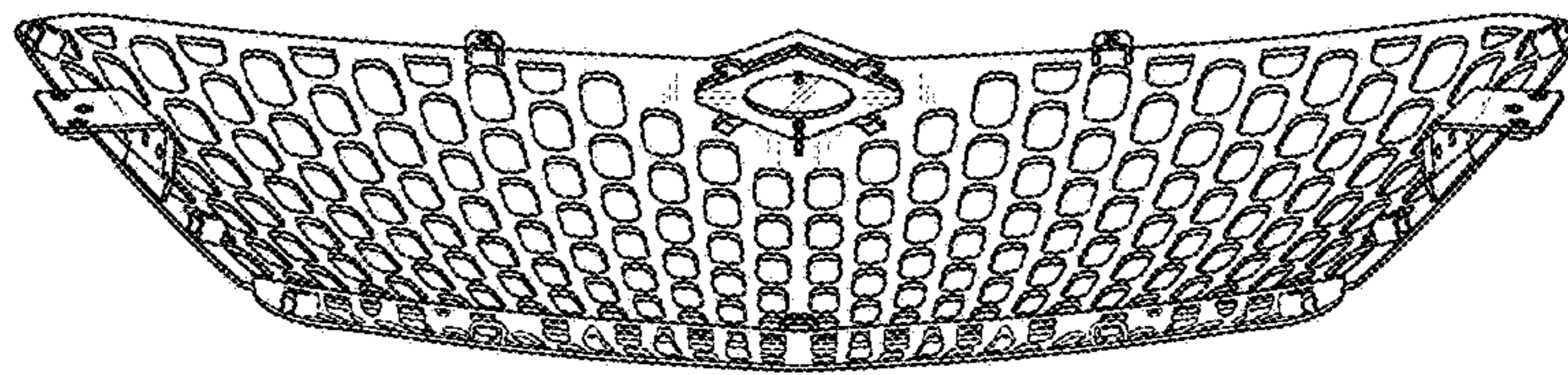


FIG. 3

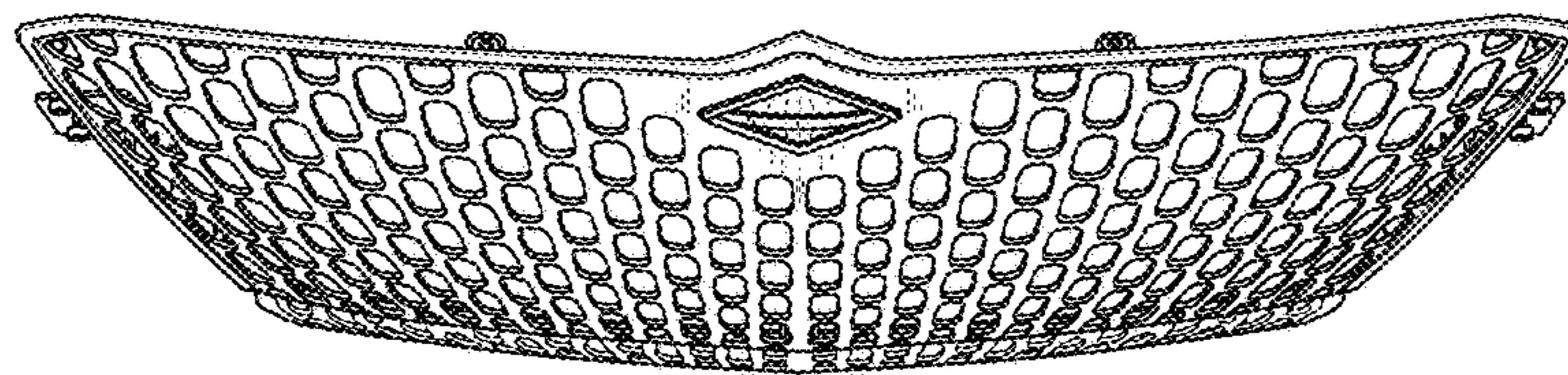


FIG. 4

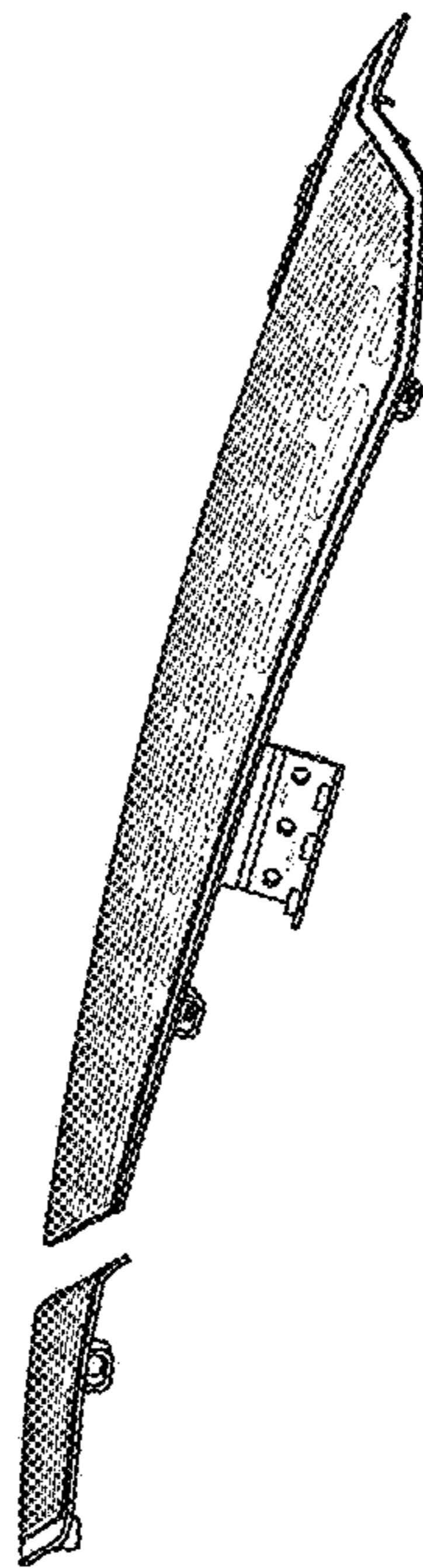


FIG. 5

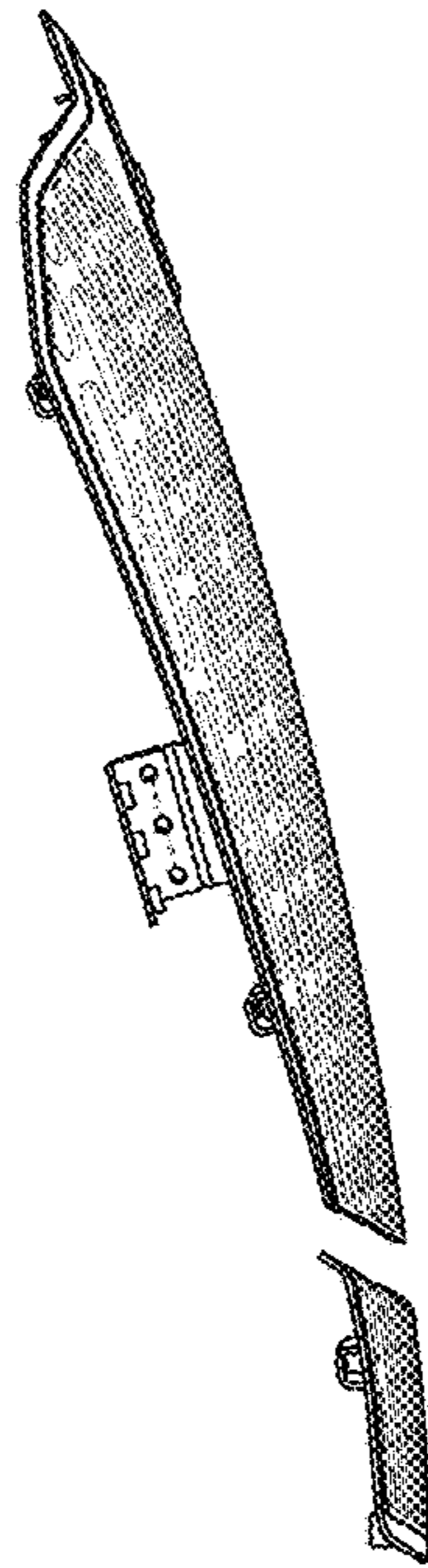


FIG. 6