



US00D850327S

(12) **United States Design Patent** (10) **Patent No.:** **US D850,327 S**
Adams (45) **Date of Patent:** **** Jun. 4, 2019**

(54) **VEHICLE TRAILER**
(71) Applicant: **William Mark Adams**, Doncaster (GB)
(72) Inventor: **William Mark Adams**, Doncaster (GB)
(73) Assignee: **William Mark Adams**, Doncaster, South Yorkshire (GB)
(**) Term: **15 Years**
(21) Appl. No.: **29/571,092**
(22) Filed: **Jul. 14, 2016**
(51) **LOC (11) Cl.** **12-08**
(52) **U.S. Cl.**
USPC **D12/95**
(58) **Field of Classification Search**
USPC D12/93, 94, 95, 96, 97, 98, 99, 100, 400, D12/406, 412, 413, 414, 414.1, 101, 102, D12/103, 104, 105, 106
CPC .. B60P 1/56; B60P 3/222; B60P 3/224; B61D 7/04; B61D 7/07; B23K 31/02
See application file for complete search history.

D589,847 S * 4/2009 Sasnoswki D12/102
D678,127 S * 3/2013 Markham D12/95
D778,787 S * 2/2017 Hackett D12/106

OTHER PUBLICATIONS

Hsssearch.co.uk. "Transdek introduces XL double deck trailer." Uploaded Mar. 6, 2017. Retrieved May 22, 2017. (http://www.hsssearch.co.uk/page_824867.asp).*
Transportengineer.org.uk. "Transdek showcases urban double-deck trailer for Stobart." Uploaded Oct. 1, 2015. Retrieved May 22, 2017. (<http://www.transportengineer.org.uk/transportengineernews/transdekshowcasesurbandoubledecktrailerforstobart/107885>).*

* cited by examiner

Primary Examiner — Susan K Krakower
Assistant Examiner — Jerry Shiuan-Hua Hsu
(74) *Attorney, Agent, or Firm* — Woodard, Emhardt, Henry, Reeves & Wagner, LLP

(57) **CLAIM**

The ornamental design for a vehicle trailer, as shown and described.

(56) **References Cited**

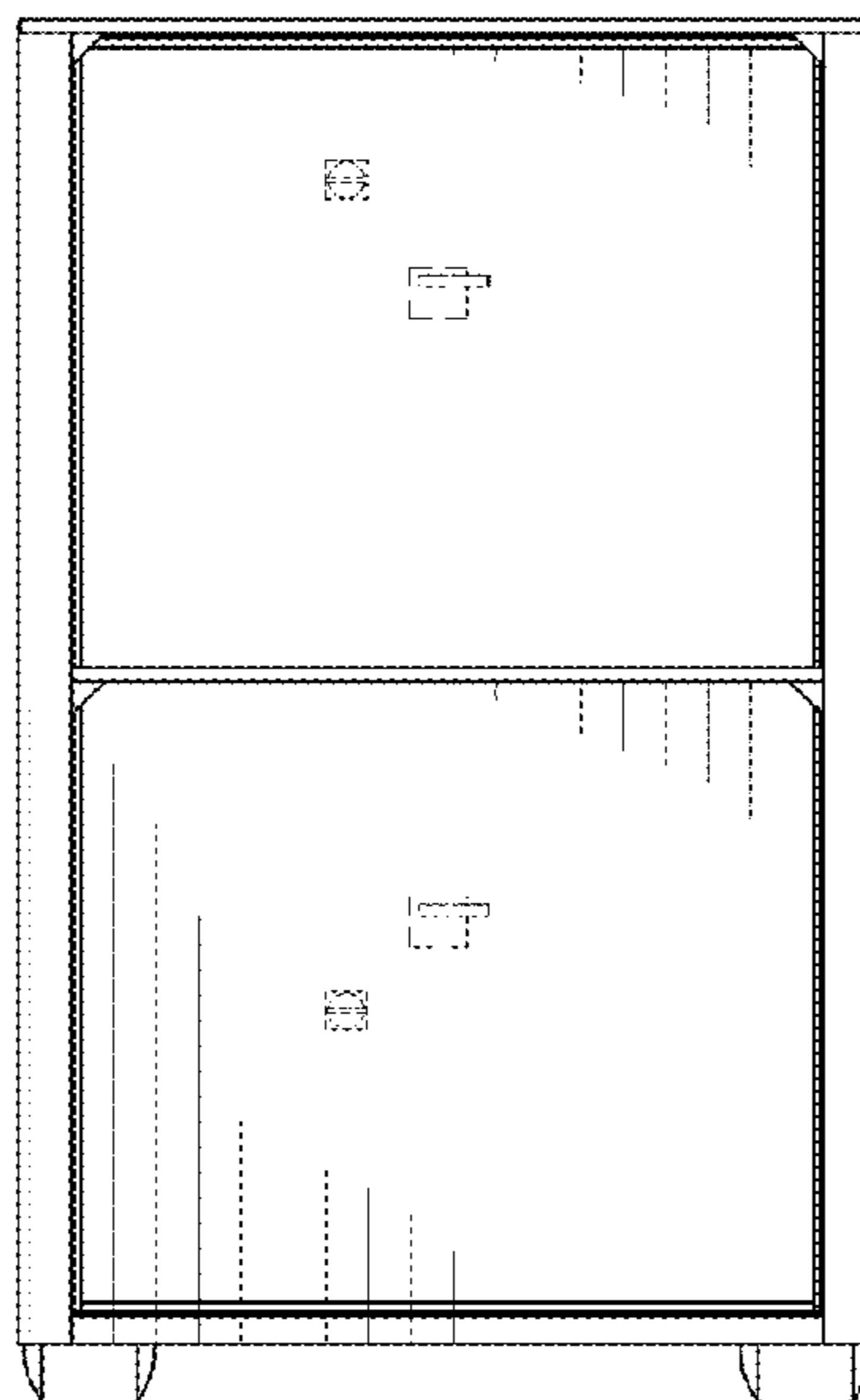
U.S. PATENT DOCUMENTS

D274,321 S * 6/1984 Hayes D12/97
D274,322 S * 6/1984 Hayes D12/97
D317,425 S * 6/1991 Vysotsky D12/97
D328,880 S * 8/1992 Vysotsky D12/97
D383,093 S * 9/1997 Garzancich D12/102
D388,024 S * 12/1997 Clement D12/97
D413,838 S * 9/1999 McDaniel D12/97
6,139,091 A * 10/2000 Shultz B62D 53/061
296/164
D554,024 S * 10/2007 Lane D12/102
D561,063 S * 2/2008 Hughes D12/102

DESCRIPTION

FIG. 1 is a rear right view of a vehicle trailer, showing my new design;
FIG. 2 is a front left view thereof;
FIG. 3 is a bottom plan view thereof;
FIG. 4 is a side elevation view with the opposite side being a mirror image thereof; and,
FIG. 5 is a top plan view thereof.
The broken lines illustrate portions of the vehicle trailer that form no part of the claimed design.

1 Claim, 2 Drawing Sheets



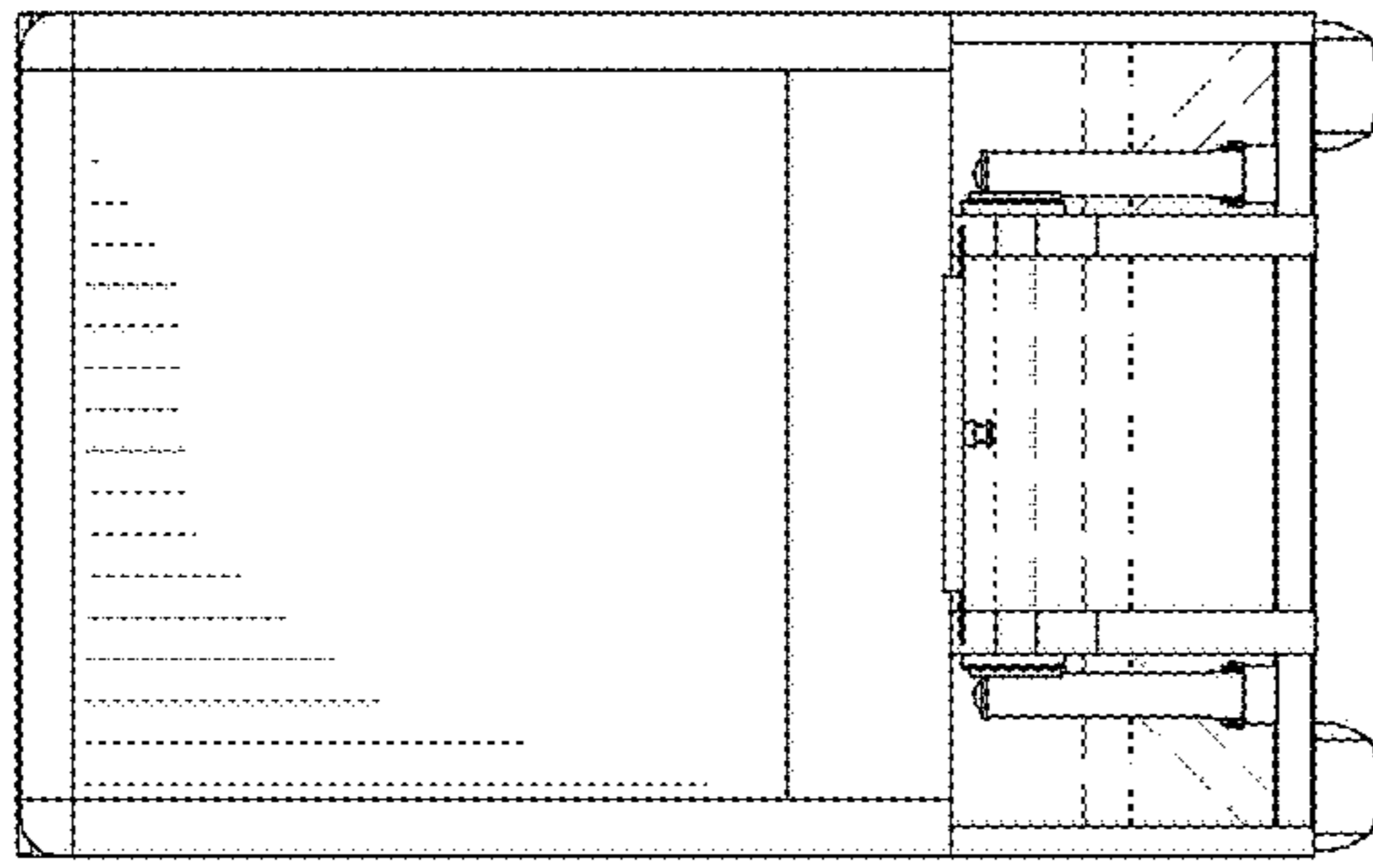


Fig. 1

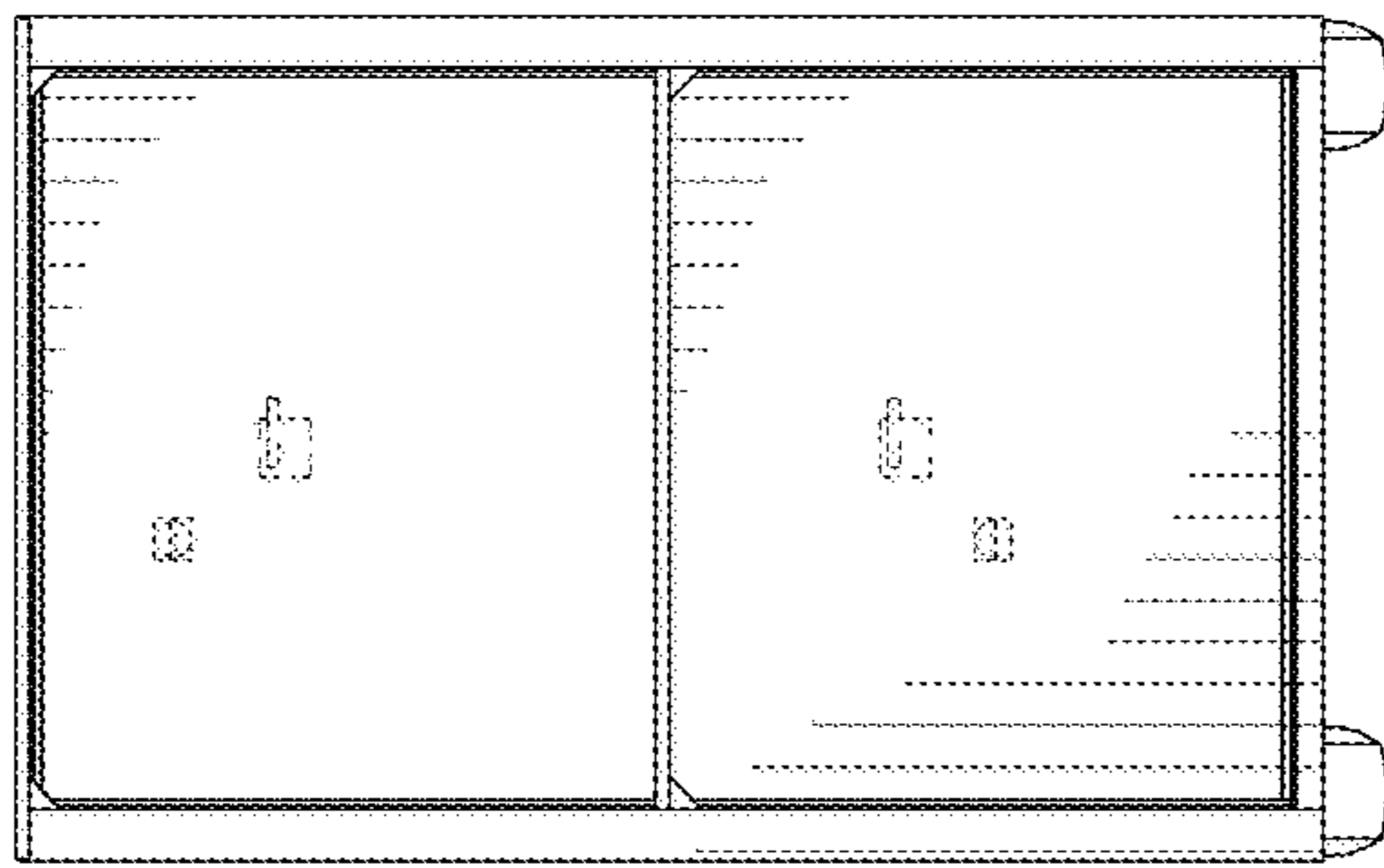


Fig. 2

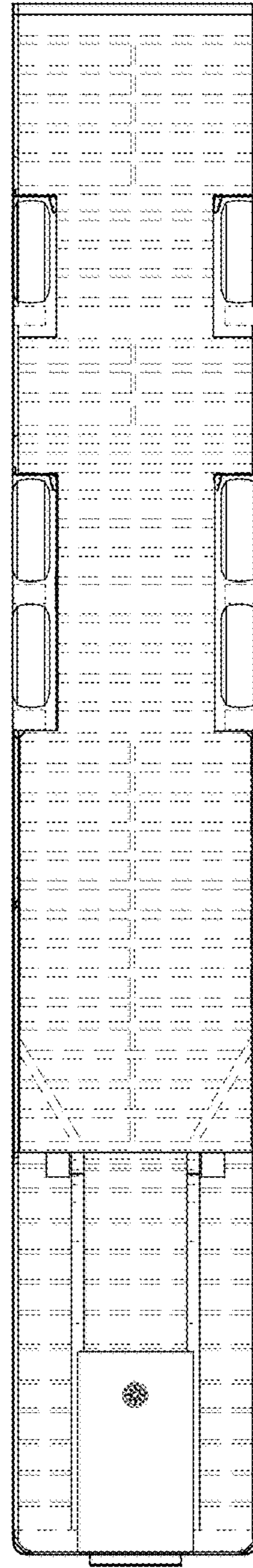


Fig. 3

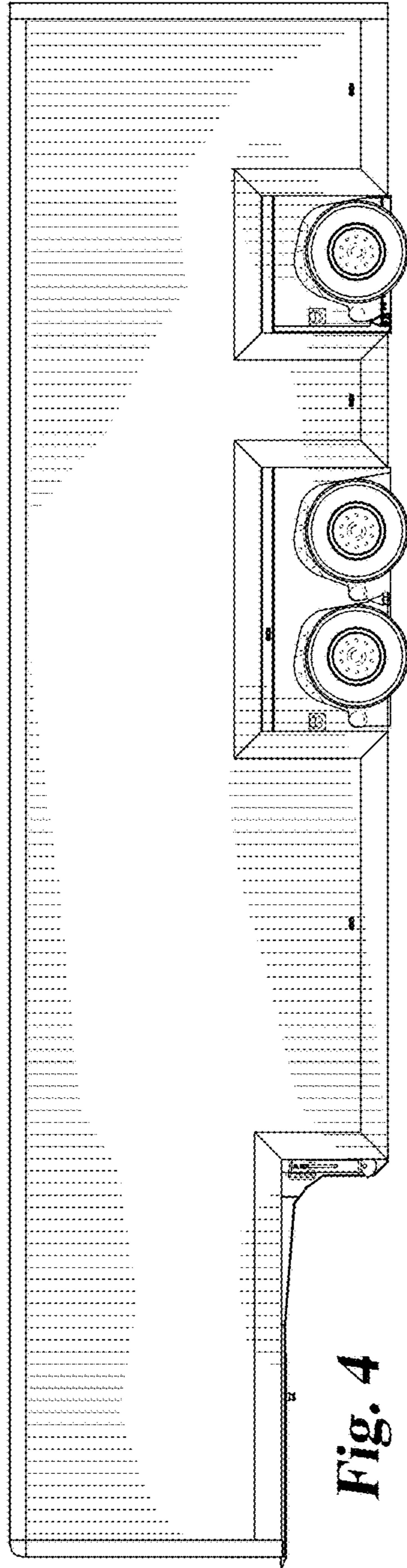


Fig. 4

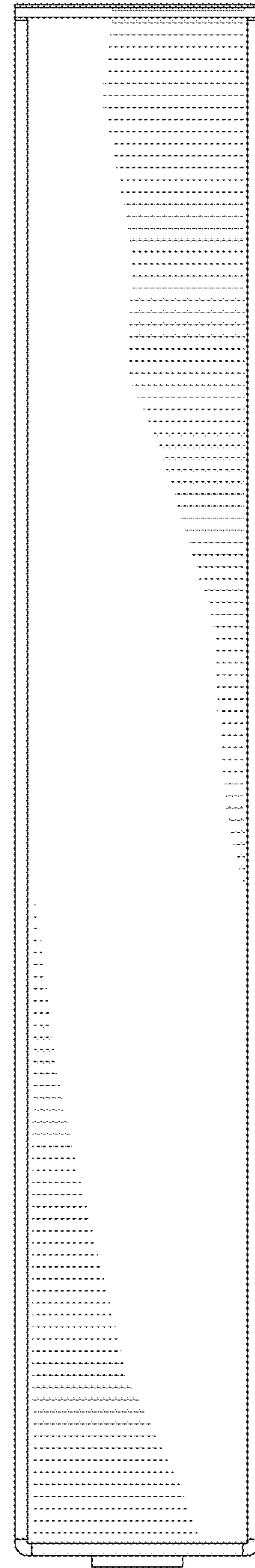


Fig. 5