



US00D850325S

(12) **United States Design Patent**  
**Kondra**

(10) **Patent No.:** **US D850,325 S**

(45) **Date of Patent:** **\*\* \*Jun. 4, 2019**

- (54) **TIE PIN WITH A RETAINER** 2,043,799 A \* 6/1936 Jokela ..... A44B 6/00  
2/115
- (71) Applicant: **Philip J. Kondra**, Saskatoon (CA) 2,050,433 A \* 8/1936 Hill ..... A41D 25/022  
24/66.9
- (72) Inventor: **Philip J. Kondra**, Saskatoon (CA) 2,146,047 A \* 2/1939 Bangs ..... A44C 15/004  
24/66.11
- (\*) Notice: This patent is subject to a terminal disclaimer. 2,887,747 A \* 5/1959 Bellman ..... A44B 6/00  
24/511

(Continued)

(\*\*) Term: **15 Years**

(21) Appl. No.: **29/612,414**

(22) Filed: **Aug. 1, 2017**

(51) **LOC (11) Cl.** ..... **02-07**

(52) **U.S. Cl.**  
USPC ..... **D11/222**

(58) **Field of Classification Search**  
USPC ..... D11/202, 203, 204, 222, 223, 226, 228,  
D11/229, 230

CPC .... A41B 3/00; A41B 3/02; A41B 7/00; A41B  
7/02; A41B 7/04; A41B 7/10; A41D  
25/00; A41D 25/001; A41D 25/003;  
A41D 25/006; A41D 25/02; A41D  
25/022; A41D 25/025; A41D 25/027;  
A41D 25/04; A41D 25/06; A41D 25/08;  
A41D 25/10; A41D 25/12; A41D 25/14;  
A41D 25/16; A41F 15/00; A41F 15/02;  
A41F 19/005; A44B 1/14; A44B 1/18;  
A44B 1/20; A44B 1/28; A44B 1/32;  
A44B 1/38; A44B 1/44; A44B 17/0011;  
A44B 3/00; A44B 3/02; A44B 3/04;  
A44C 15/0015; A44C 3/00; A44C 3/002;  
A44C 3/004; A44C 3/005; A44C 3/008;  
A44C 7/00; A44C 7/002; D06F 55/00

See application file for complete search history.

(56) **References Cited**

**U.S. PATENT DOCUMENTS**

- 1,196,251 A \* 8/1916 Lauterbach ..... D06F 55/00  
24/562
- 2,024,085 A \* 12/1935 Baer ..... A44C 15/004  
24/66.2

**OTHER PUBLICATIONS**

Wholesale—100 pcs/Lot Plated Locking TieTac Tack guard Pin  
Clutch Backs Brass F103. Product listing [online].© 2004-2018  
DHgate.com. [Retrieved on May 24, 2017]. URL: <https://m.dhgate.com/product/wholesale-100-pcs-lot-plated-locking-tie/260464455.html%23s1-1-1;hot%7C3196681103>>.

(Continued)

*Primary Examiner* — Brandon M Rosati  
(74) *Attorney, Agent, or Firm* — Cramer Patent & Design,  
PLLC; Aaron R. Cramer

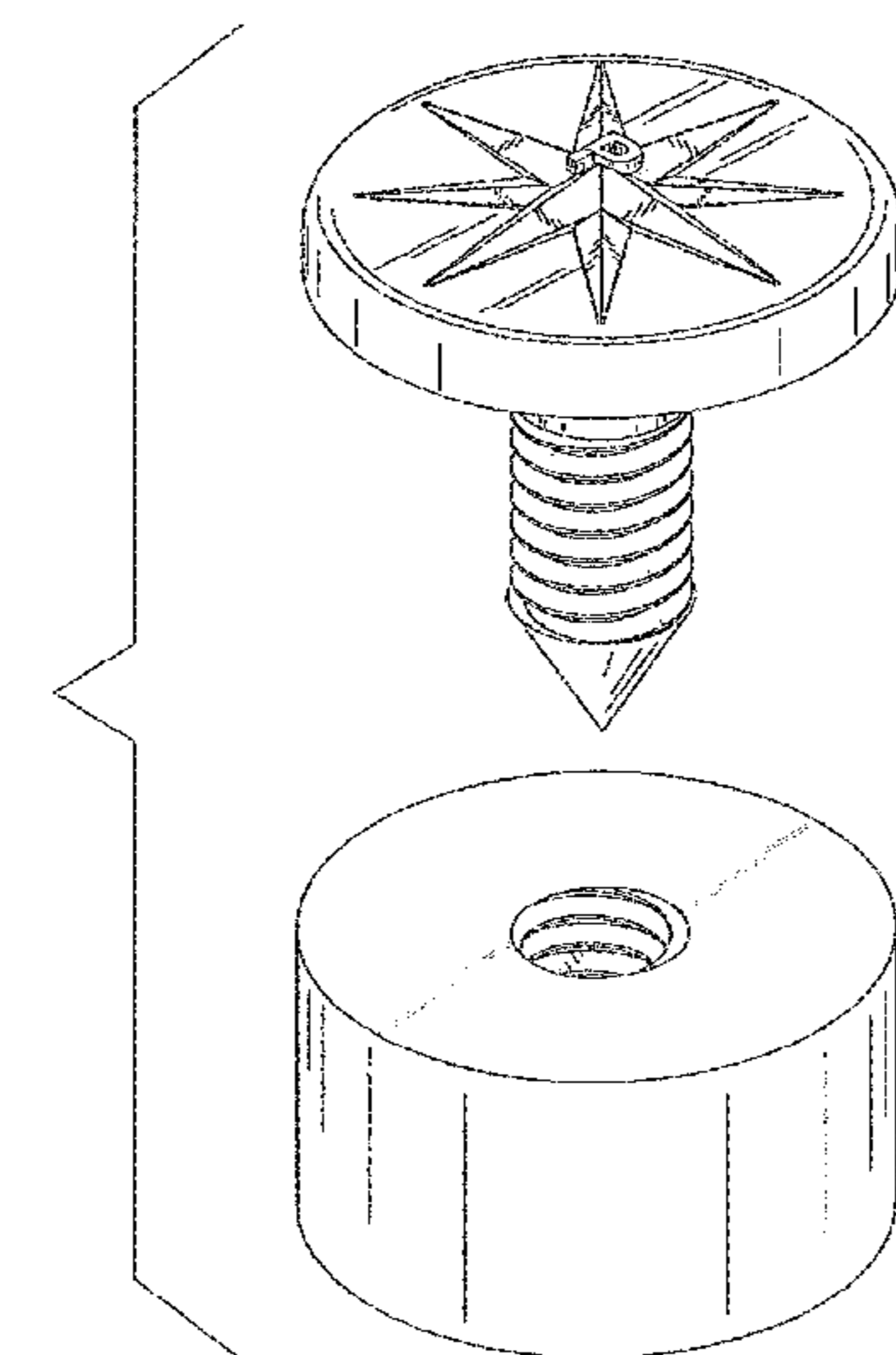
(57) **CLAIM**

The ornamental design for a tie pin with a retainer, as shown and described.

**DESCRIPTION**

FIG. 1 is a top, front, right exploded perspective view of a tie pin with a retainer, showing my new design;  
FIG. 2 is a top, back, left, exploded perspective view thereof;  
FIG. 3 is an exploded front elevation view thereof;  
FIG. 4 is an exploded rear elevation view thereof;  
FIG. 5 is an exploded left elevation view thereof;  
FIG. 6 is an exploded right elevation view thereof;  
FIG. 7 is an exploded side by side top plan view thereof; and,  
FIG. 8 is an exploded side by side bottom plan view thereof.

**1 Claim, 8 Drawing Sheets**



(56)

**References Cited**

U.S. PATENT DOCUMENTS

3,319,304 A \* 5/1967 Adams ..... A44B 6/00  
24/66.6  
3,357,063 A \* 12/1967 Eiben ..... A44B 6/00  
24/66.11  
D210,992 S 5/1968 Cohen  
3,499,192 A 3/1970 Holtz  
3,523,339 A 8/1970 Laviano  
D246,769 S \* 12/1977 Kozak ..... D11/204  
4,126,917 A 11/1978 Nakatsuji  
D272,014 S 1/1984 Mitcham et al.  
D306,147 S \* 2/1990 Roan ..... D11/204  
D331,374 S \* 12/1992 Moore, III ..... D11/222  
5,802,678 A \* 9/1998 Puente ..... A44B 6/00  
24/49.1  
2011/0061207 A1 3/2011 Forbes

OTHER PUBLICATIONS

Bulk Buy: Darice DIY Crafts Tie Tacks with Clutch Nickel Plated Steel 10mm (3-Pack) 1880-76 Product listing [online]. © 1996-2018, Amazon.com, Inc.. [Retrieved on May 24, 2017]. <URL: <https://www.amazon.com/Bulk-Buy-Darice-Crafts-1880-76/dp/B00KHAZGWK>>.

\* cited by examiner

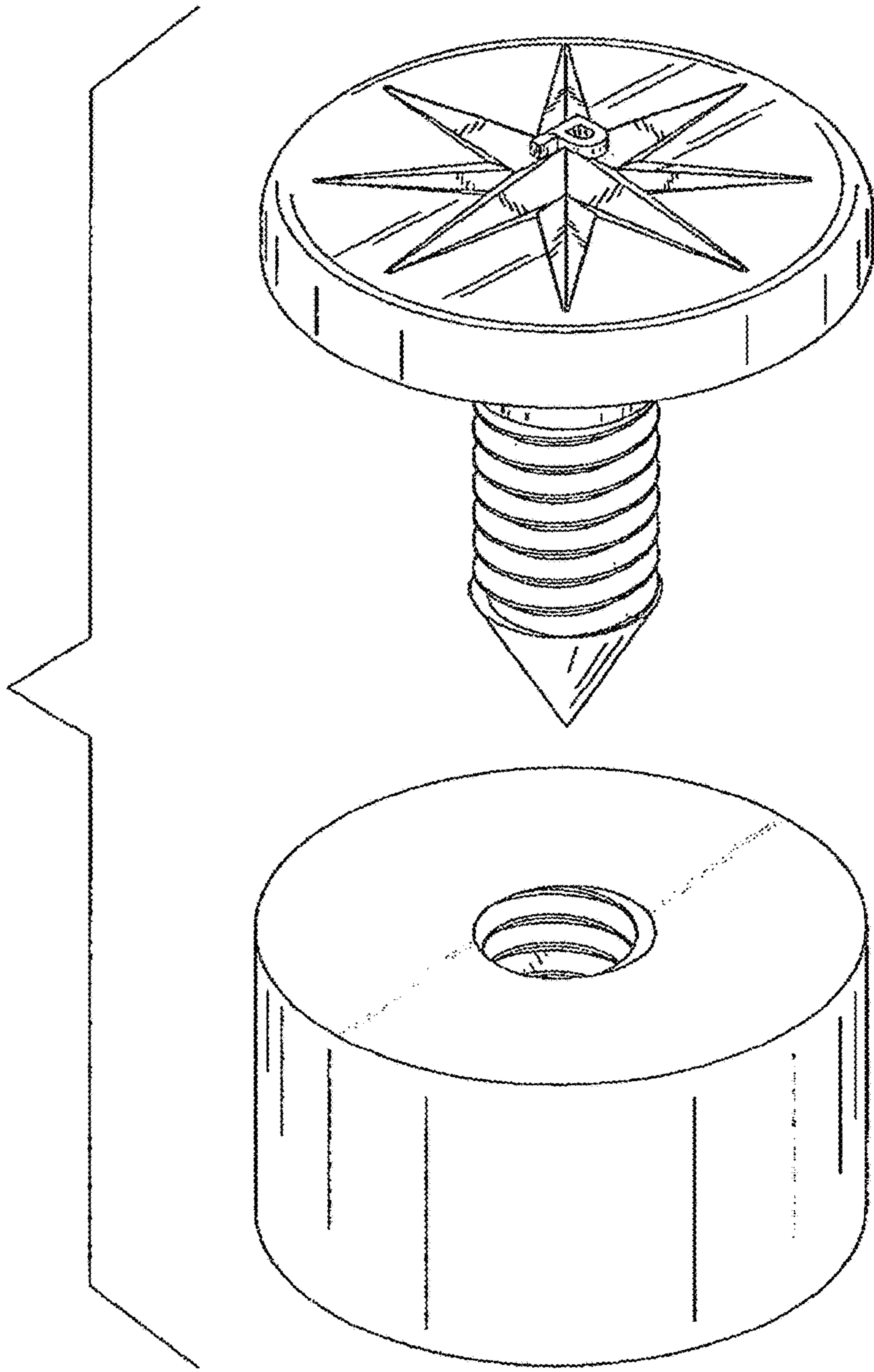


FIG. 1

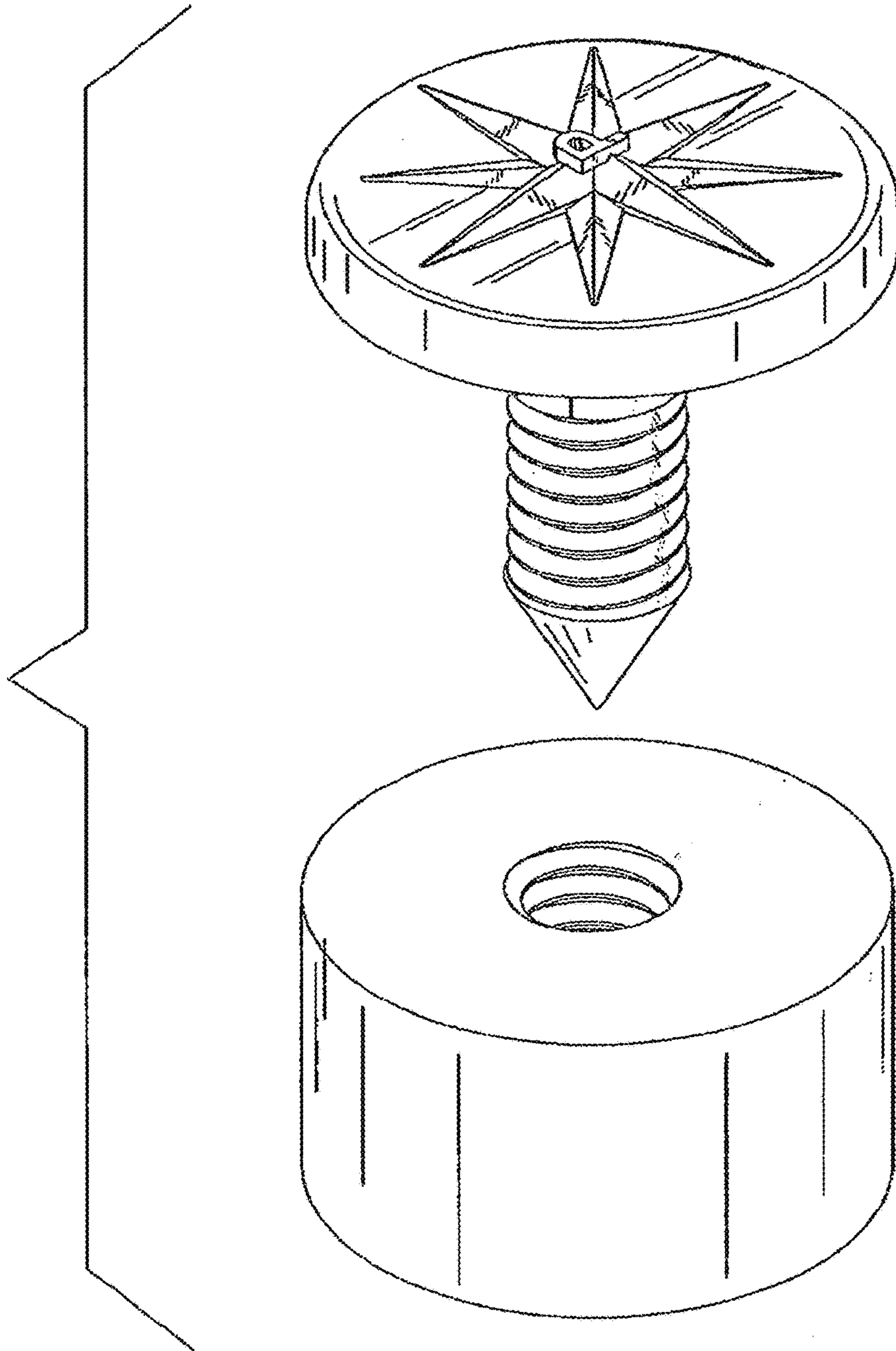


FIG. 2

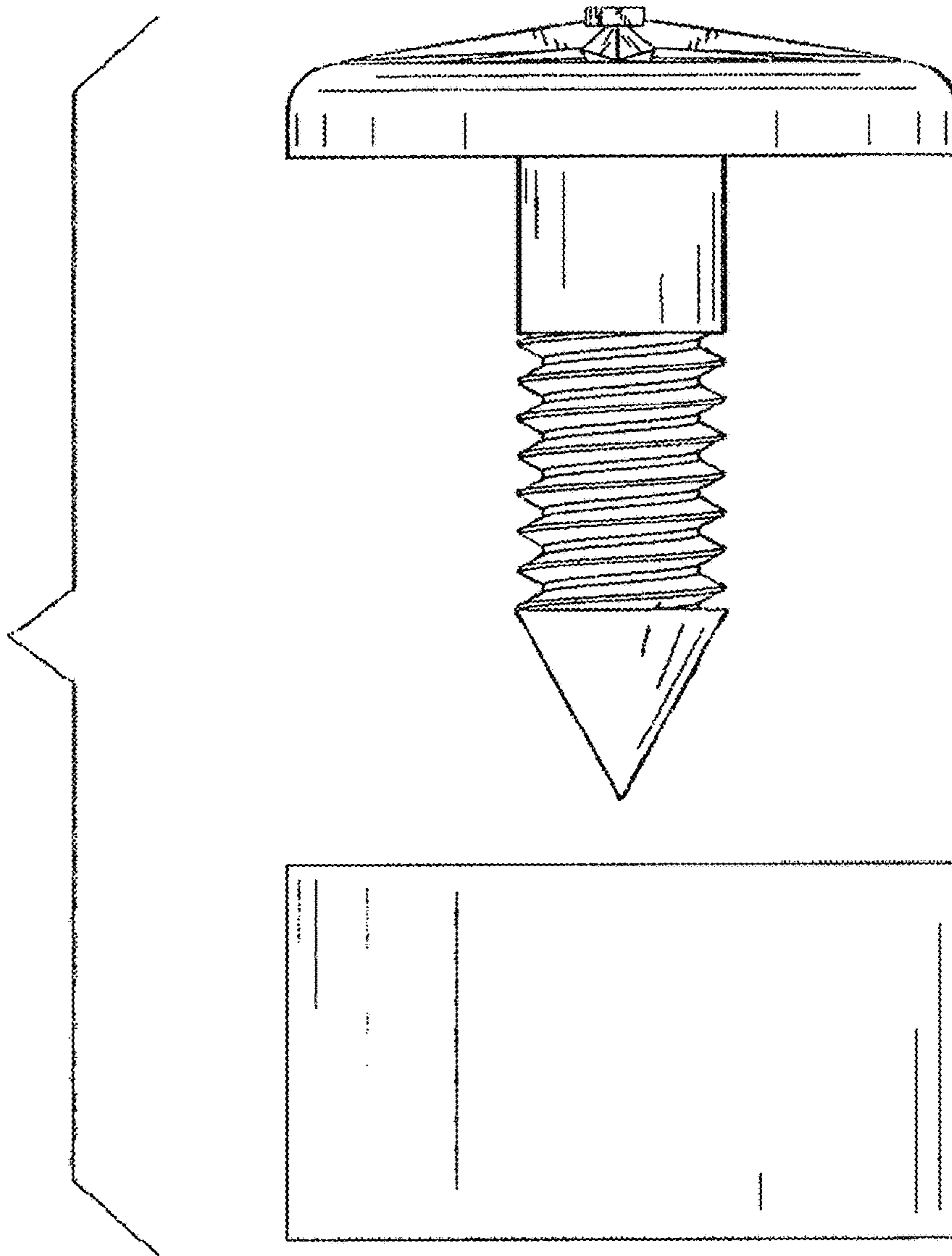


FIG. 3

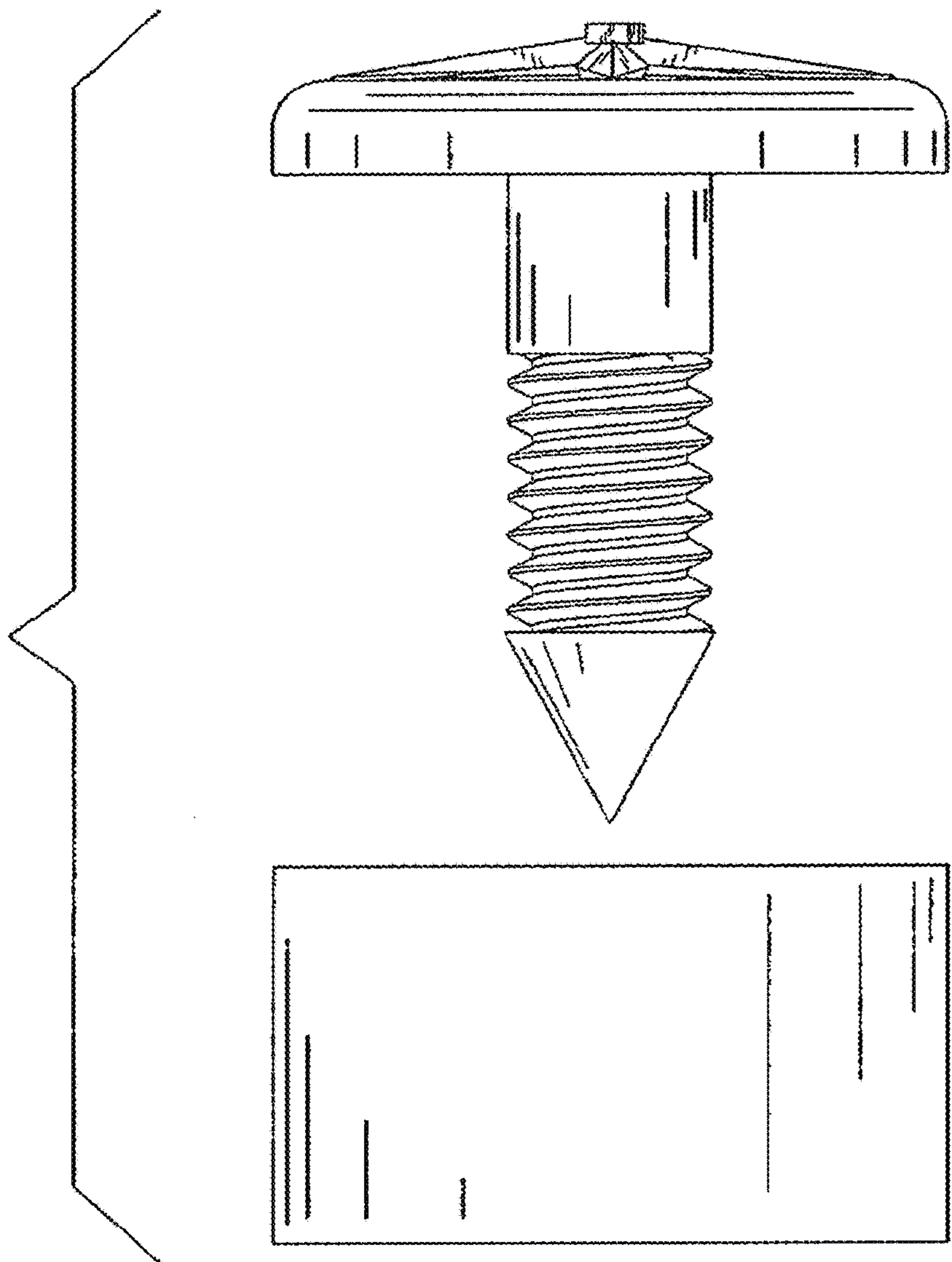


FIG. 4

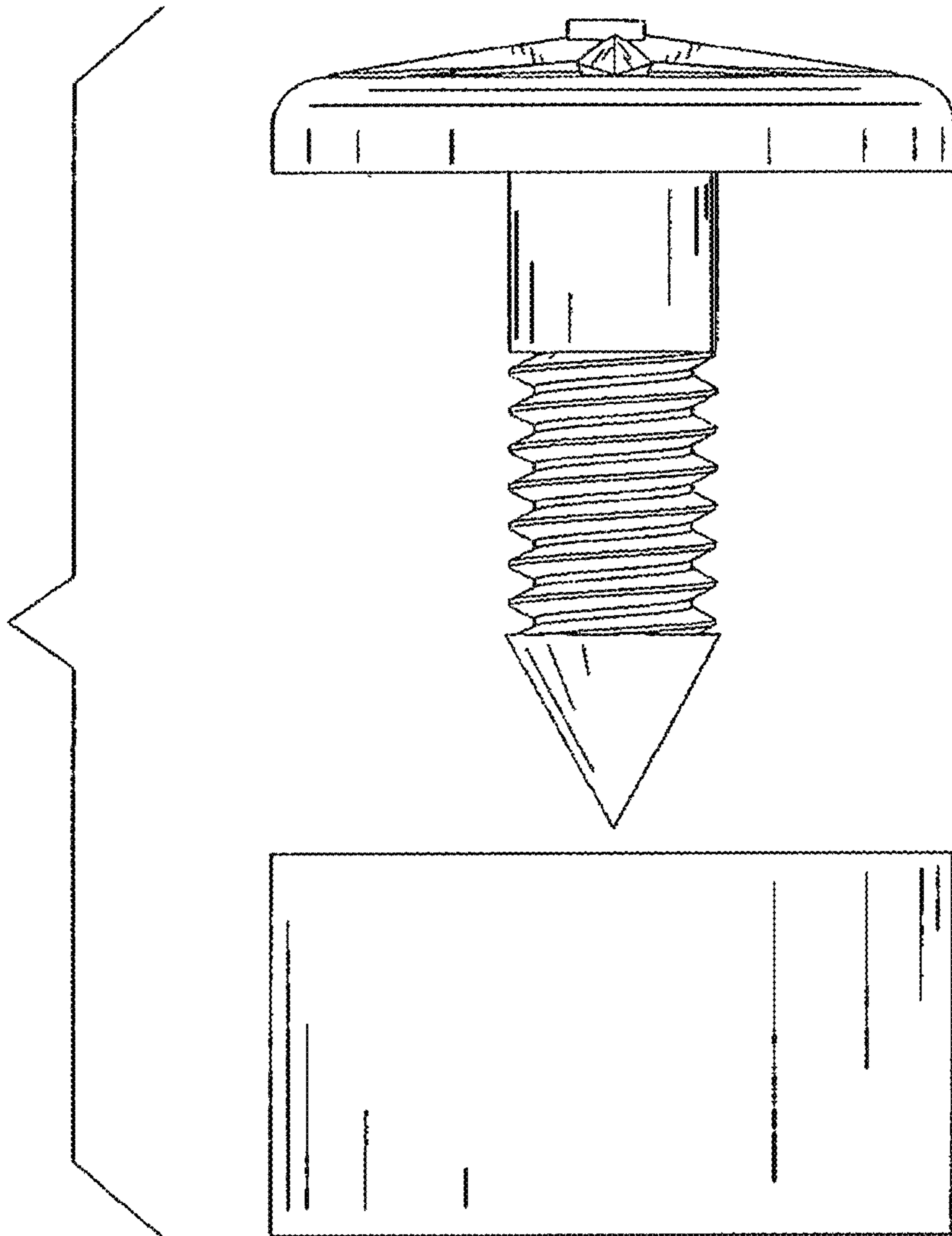


FIG. 5

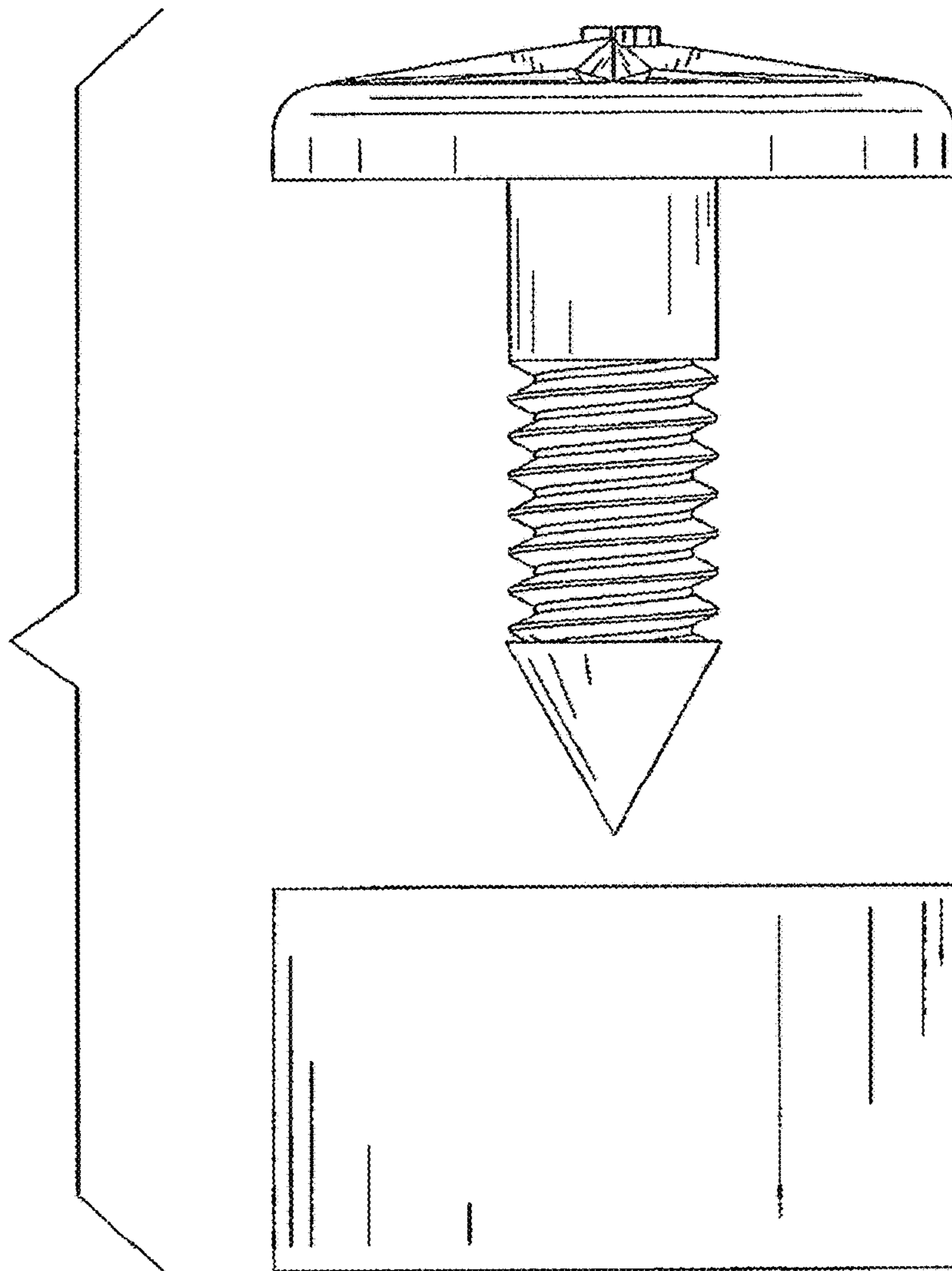


FIG. 6



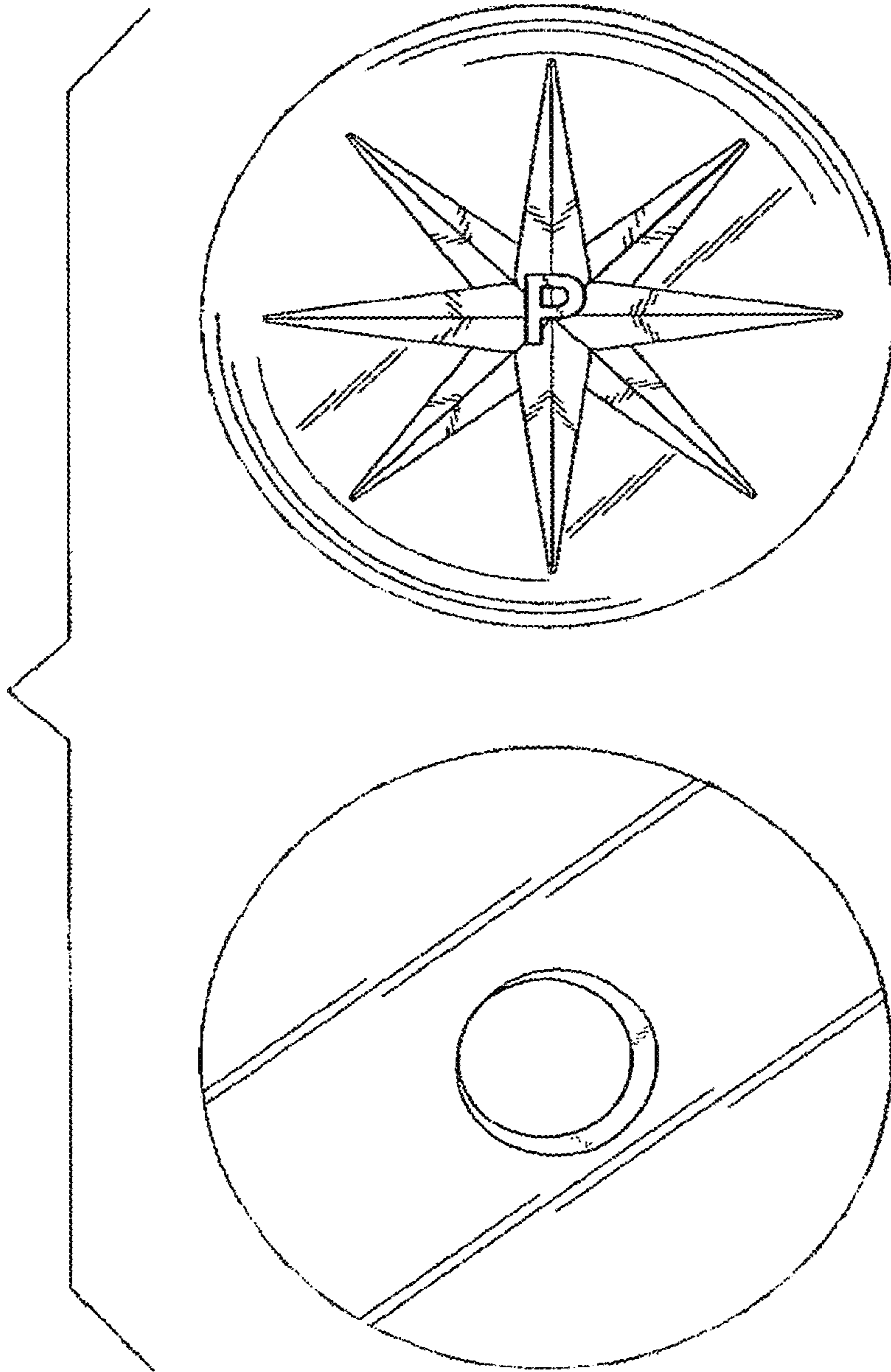


FIG. 7

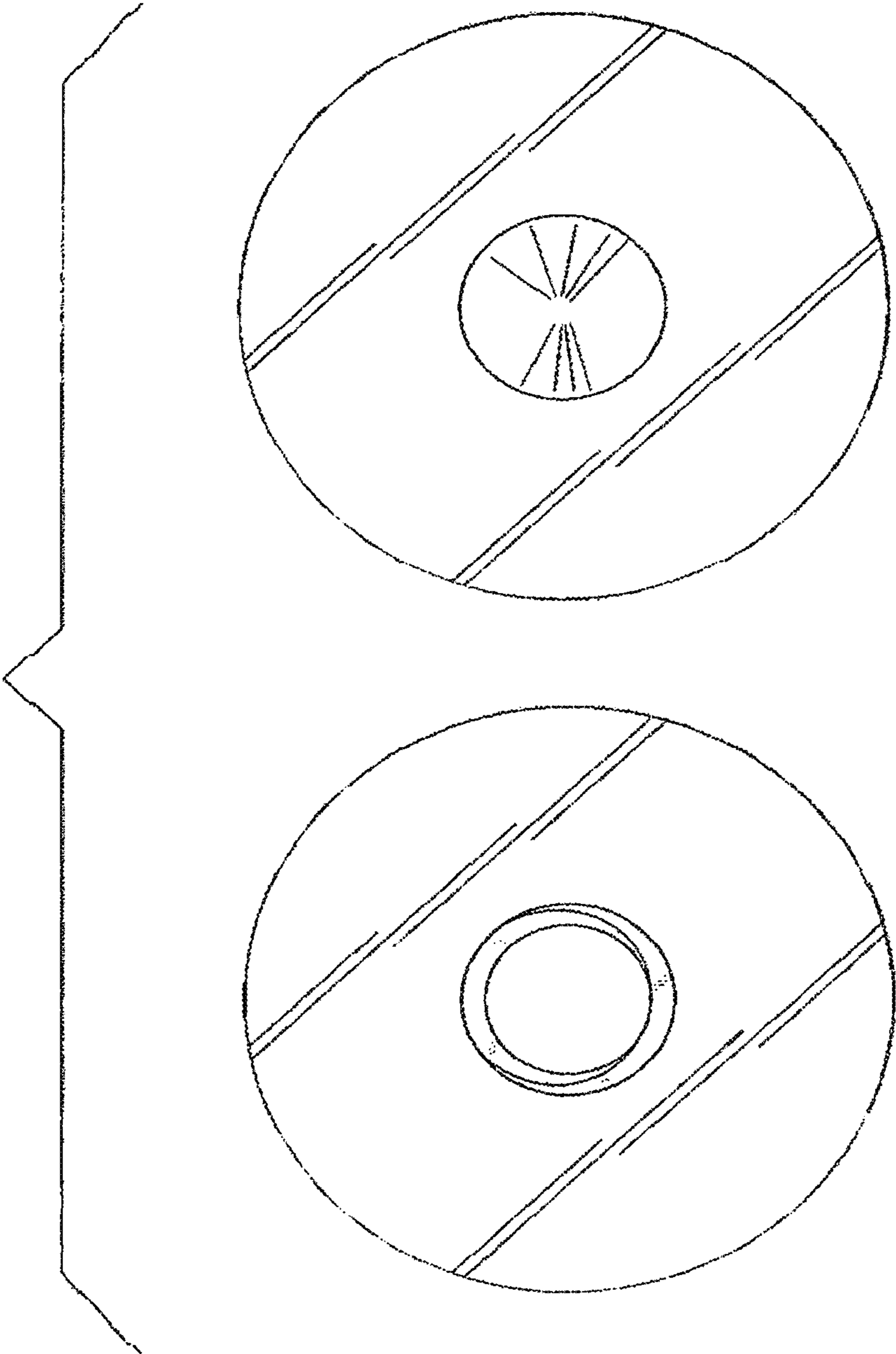


FIG. 8