



US00D850324S

(12) **United States Design Patent**
Hung

(10) **Patent No.:** **US D850,324 S**

(45) **Date of Patent:** **** Jun. 4, 2019**

(54) **SLIDER**

(71) Applicant: **IDEAL FASTENER (JIANGSU) LTD.**, Jiangyin, Jiangsu (CN)

(72) Inventor: **Franklin Chi Yen Hung**, Jiangsu (CN)

(73) Assignee: **IDEAL FASTENER (JIANGSU) LTD.**, Jiangyin (CN)

(**) Term: **15 Years**

(21) Appl. No.: **29/626,829**

(22) Filed: **Nov. 20, 2017**

(30) **Foreign Application Priority Data**

Sep. 28, 2017 (CN) 2017 3 0466742

(51) **LOC (11) Cl.** **02-07**

(52) **U.S. Cl.**
USPC **D11/221**

(58) **Field of Classification Search**

USPC D11/200, 201, 221; 24/381–383, 24/385–389, 401, 414–417, 421–422, 24/427–431, 433, 434; 2/265; D2/641, D2/642; 294/3.6; 223/118; D8/33, 34, D8/40

CPC A44B 19/00; A44B 19/02; A44B 19/04; A44B 19/10; A44B 19/26; A44B 19/30; A44B 19/06; A44B 19/34; A44B 19/40; A44B 19/52; A44B 19/38; G02C 3/003; A44H 37/06; B29C 45/14573

See application file for complete search history.

(56) **References Cited**

U.S. PATENT DOCUMENTS

D304,023 S * 10/1989 Minami D11/221
5,007,144 A * 4/1991 Terada A44B 19/26
24/415

D498,434 S * 11/2004 Iwase D11/221
D651,940 S * 1/2012 Hamada D11/221
D652,345 S * 1/2012 Hamada D11/221
D653,585 S * 2/2012 Hamada D11/221
D655,224 S * 3/2012 Hamada D11/221
D659,051 S * 5/2012 Hamada D11/221
8,453,302 B2 * 6/2013 Keyaki A44B 19/262
24/419
D709,405 S * 7/2014 Keyaki D11/221
D828,221 S * 9/2018 Hsu D11/221

* cited by examiner

Primary Examiner — T Chase Nelson

(57) **CLAIM**

The ornamental design for a slider, as shown and described.

DESCRIPTION

FIG. 1 is a front elevational view of a slider showing my new design;

FIG. 2 is a rear elevational view thereof;

FIG. 3 is a left side view thereof;

FIG. 4 is a right side view thereof;

FIG. 5 is a top plan view thereof;

FIG. 6 is a bottom plan view thereof;

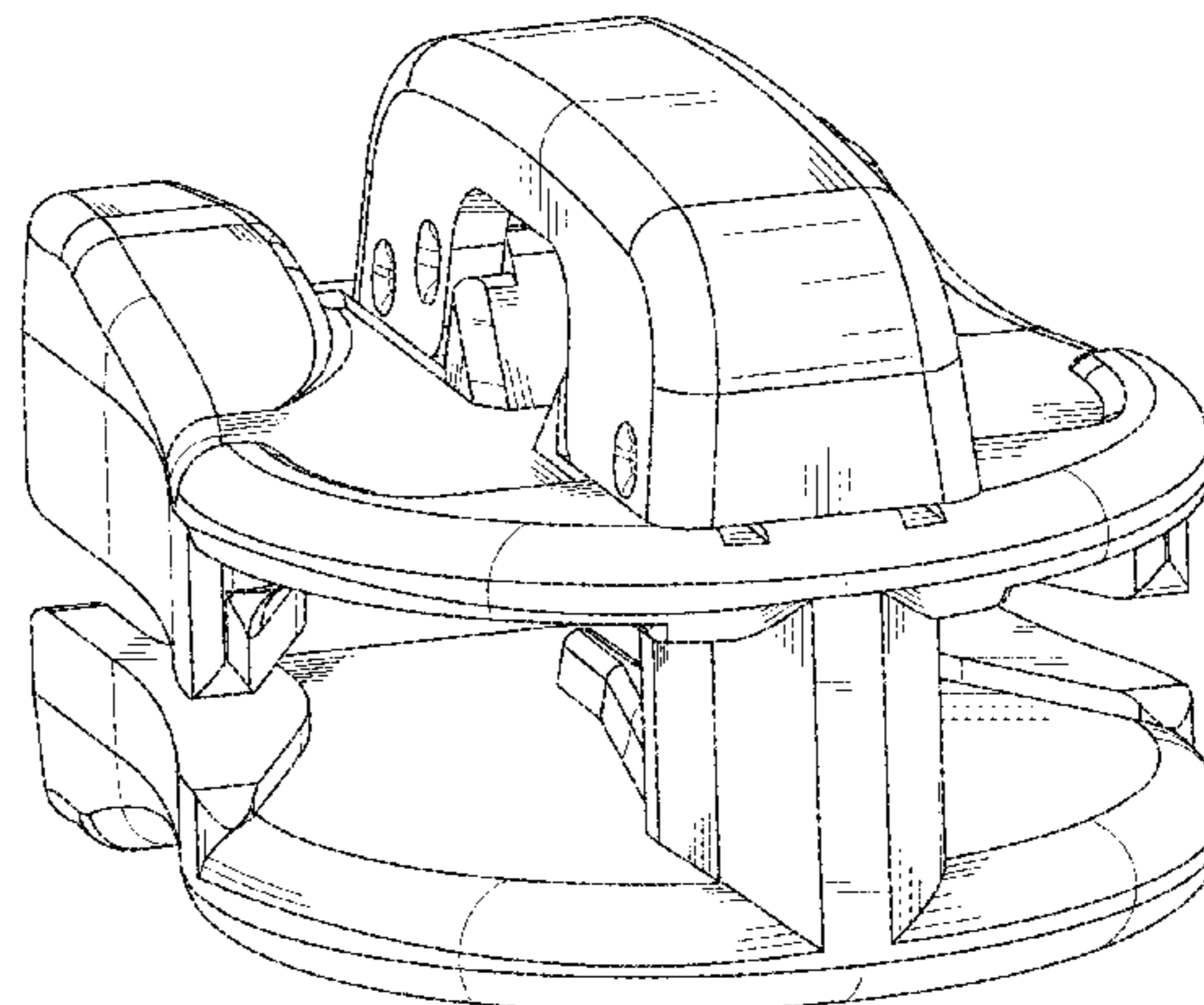
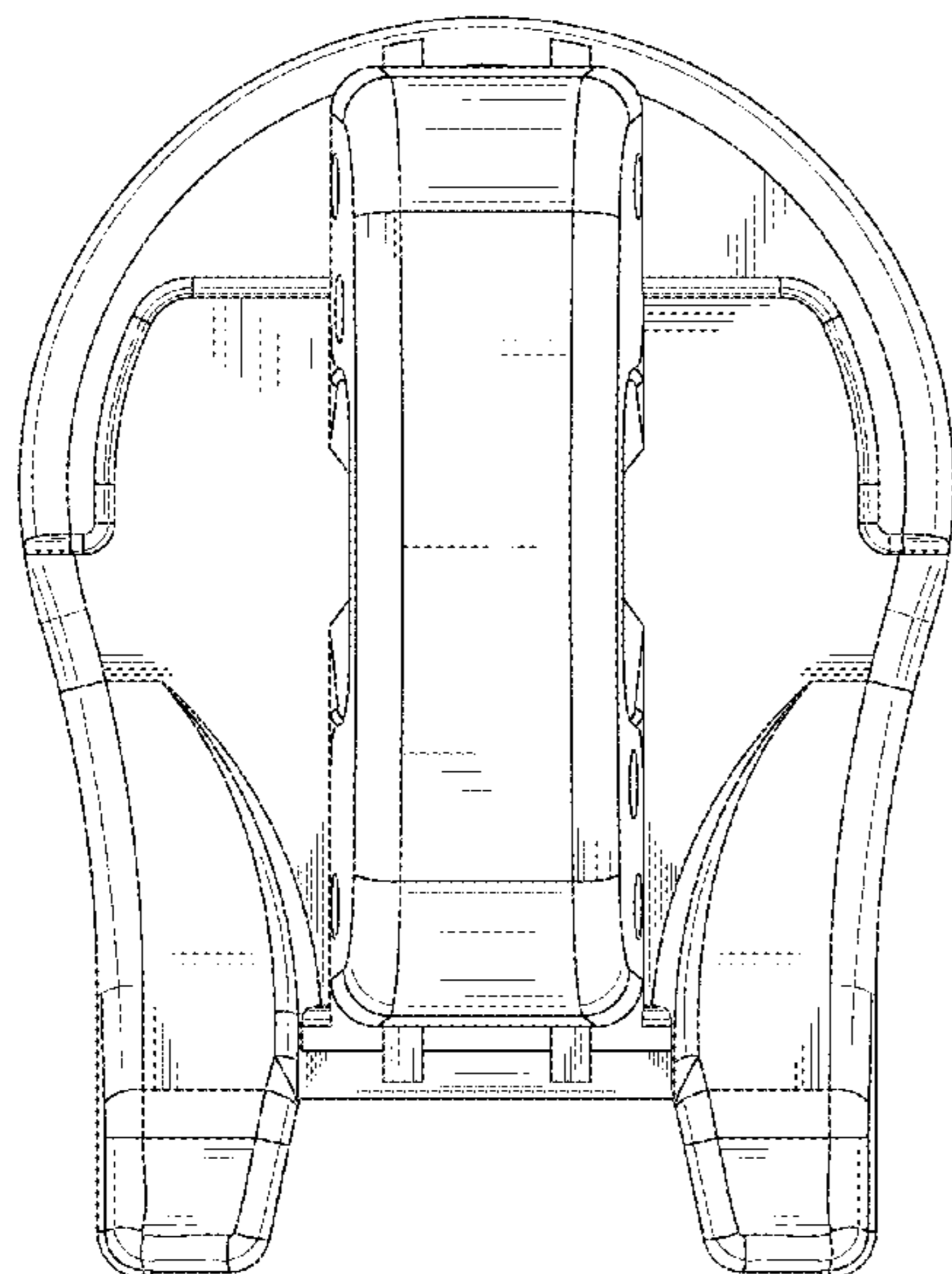
FIG. 7 is a top, front and right side perspective view thereof;

FIG. 8 is a bottom, front and left side perspective view thereof; and,

FIG. 9 is a top and rear perspective view thereof.

The broken lines in the drawings illustrate portions of the slider which form no part of the claimed design.

1 Claim, 9 Drawing Sheets



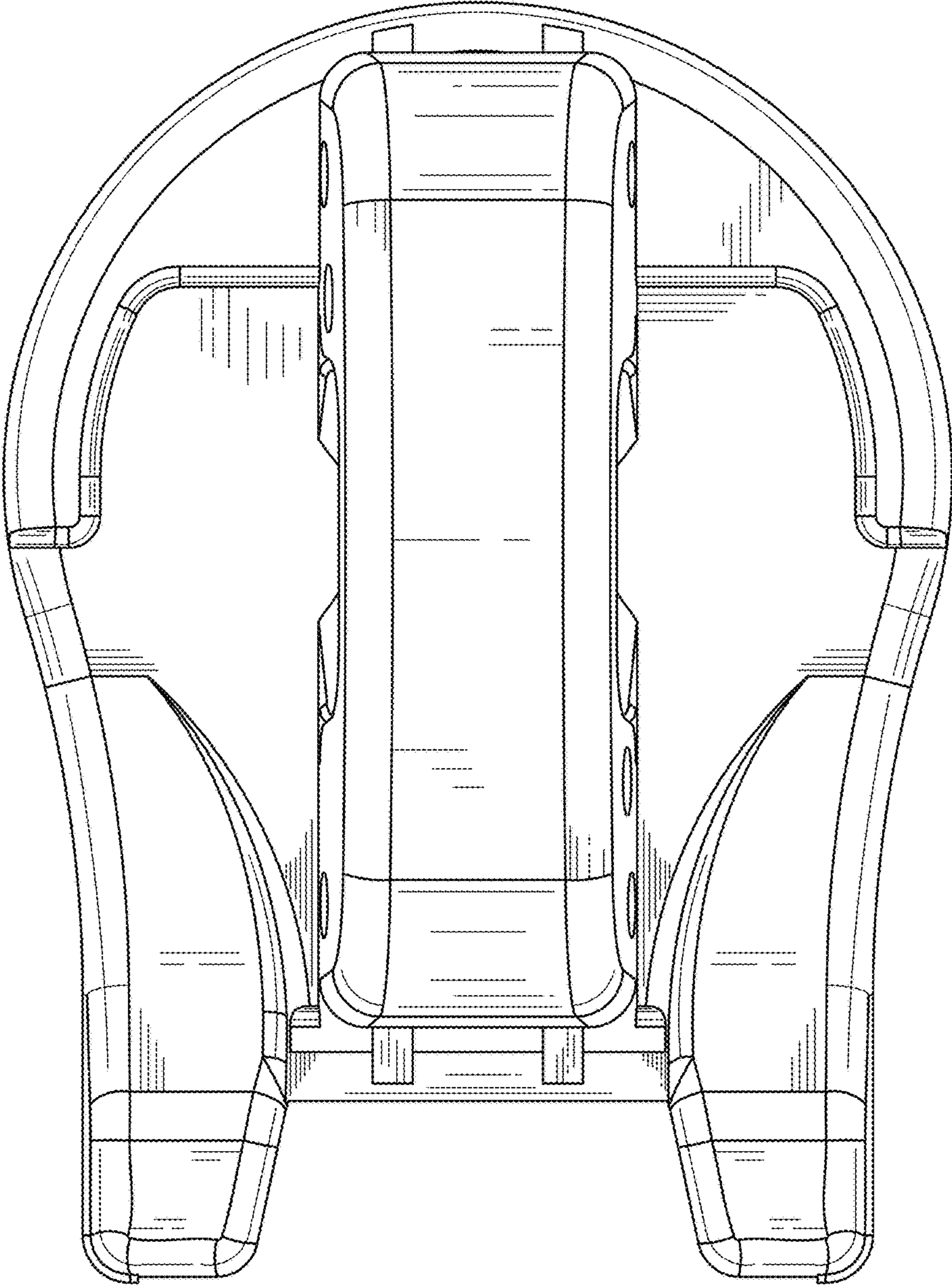


Fig. 1

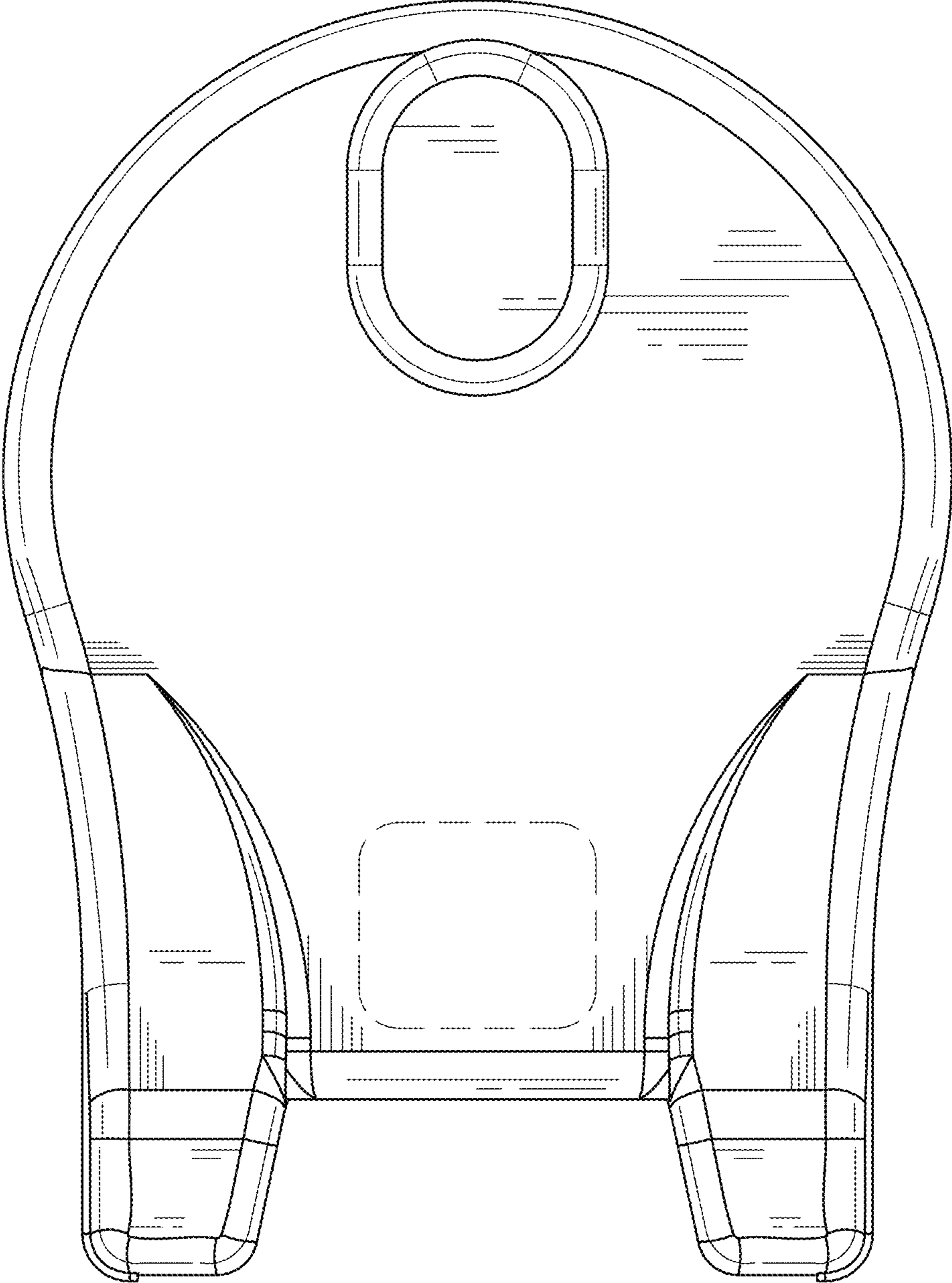


Fig. 2

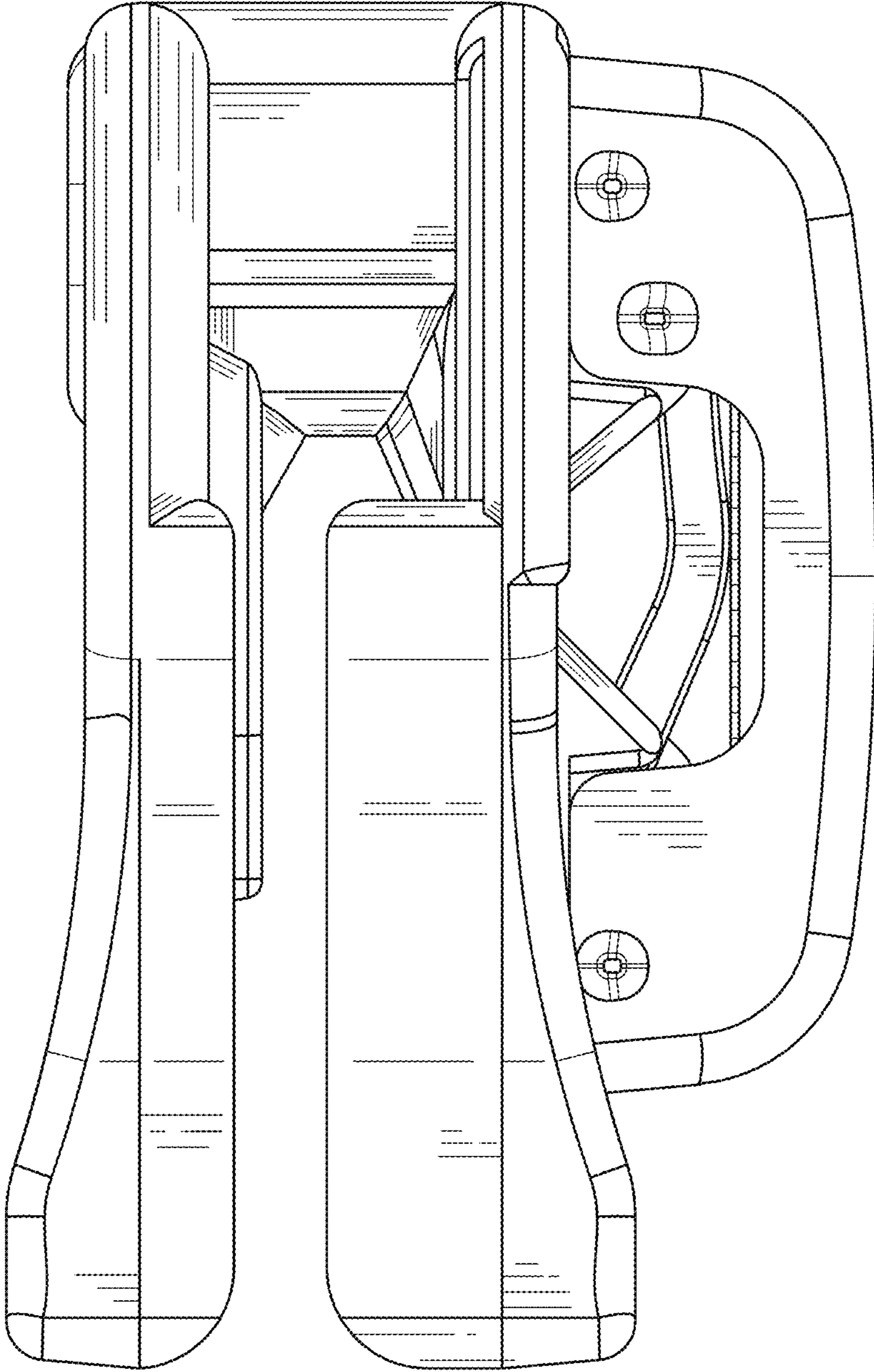


Fig. 3

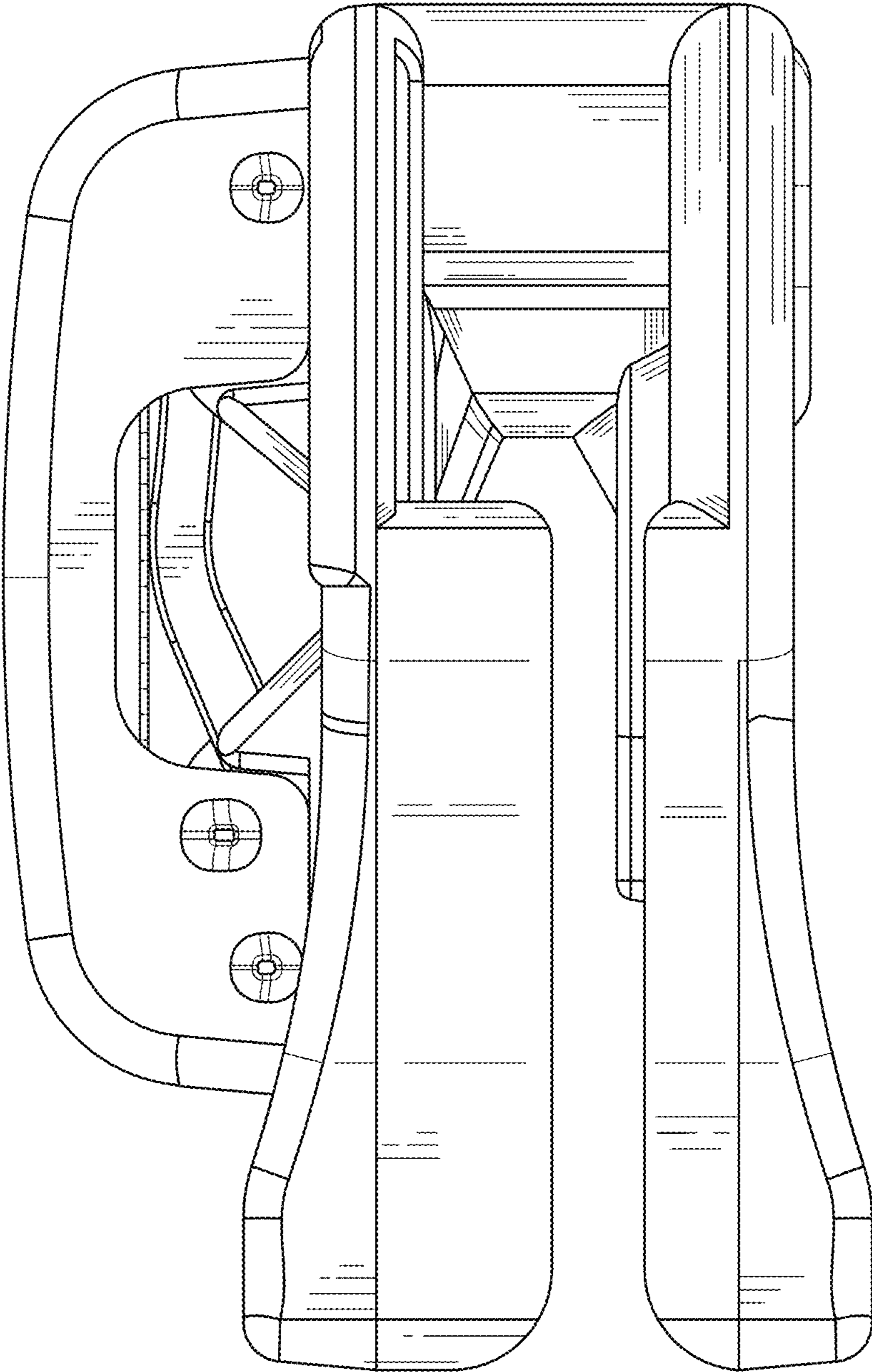


Fig. 4

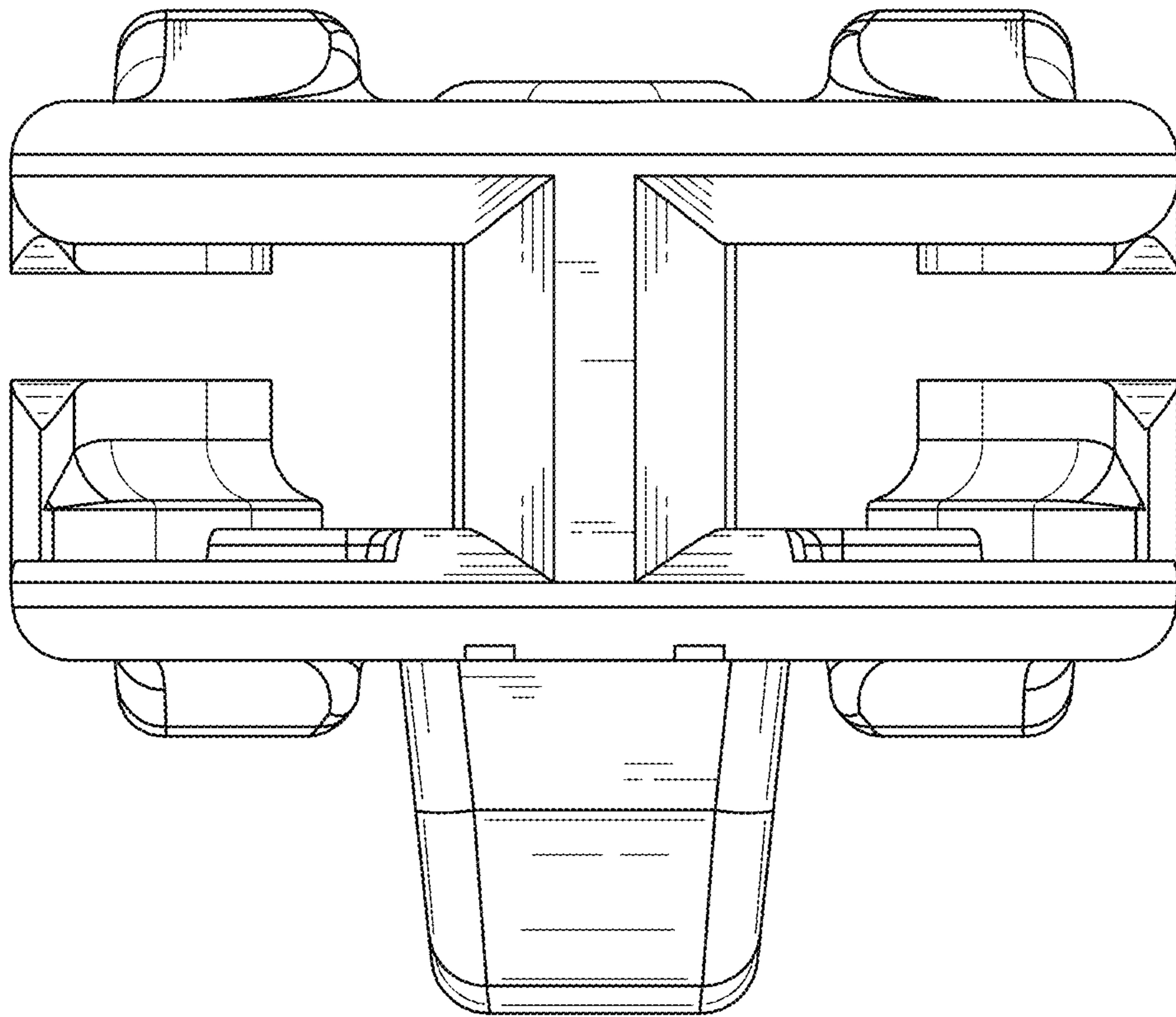


Fig. 5

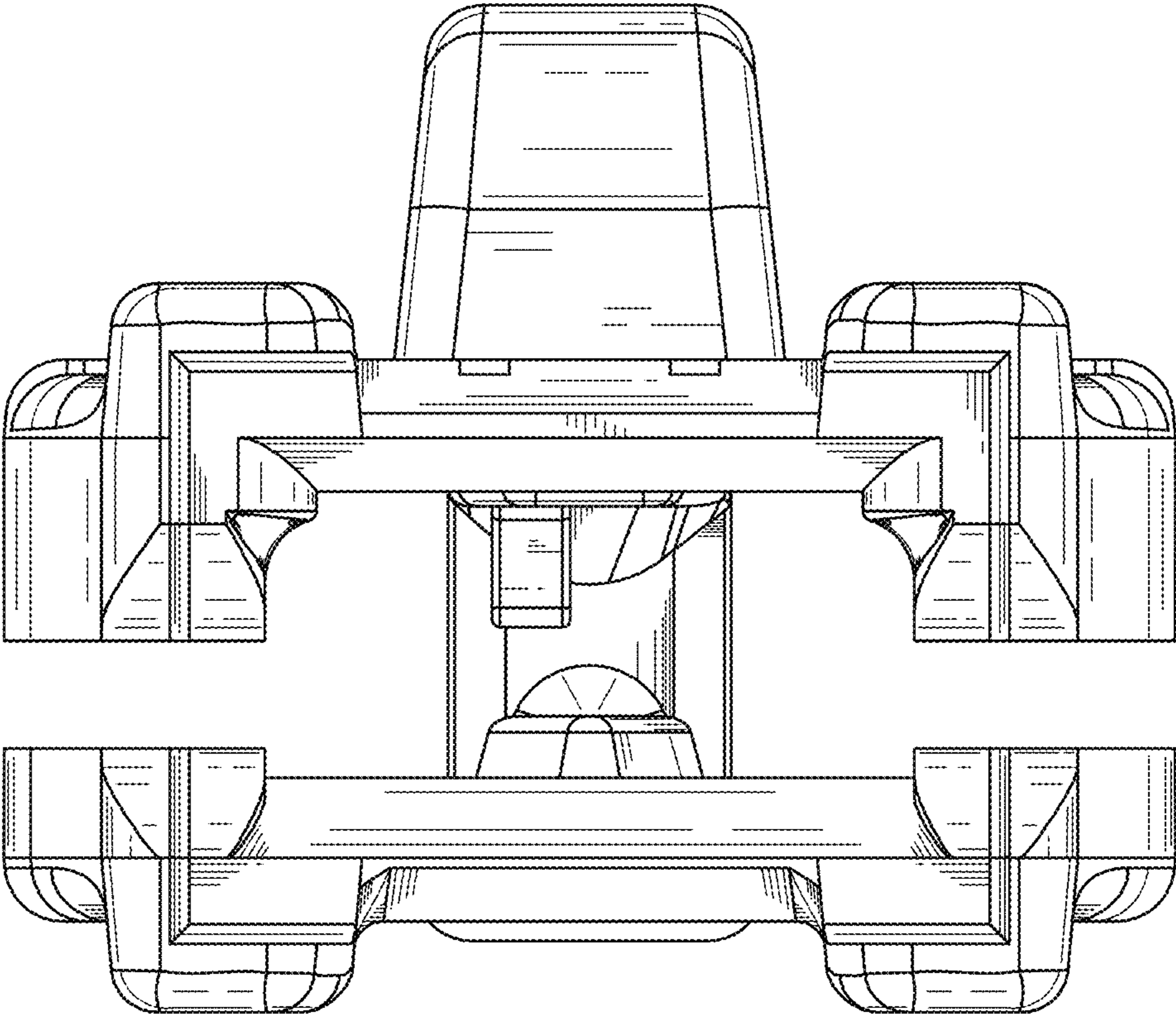


Fig. 6

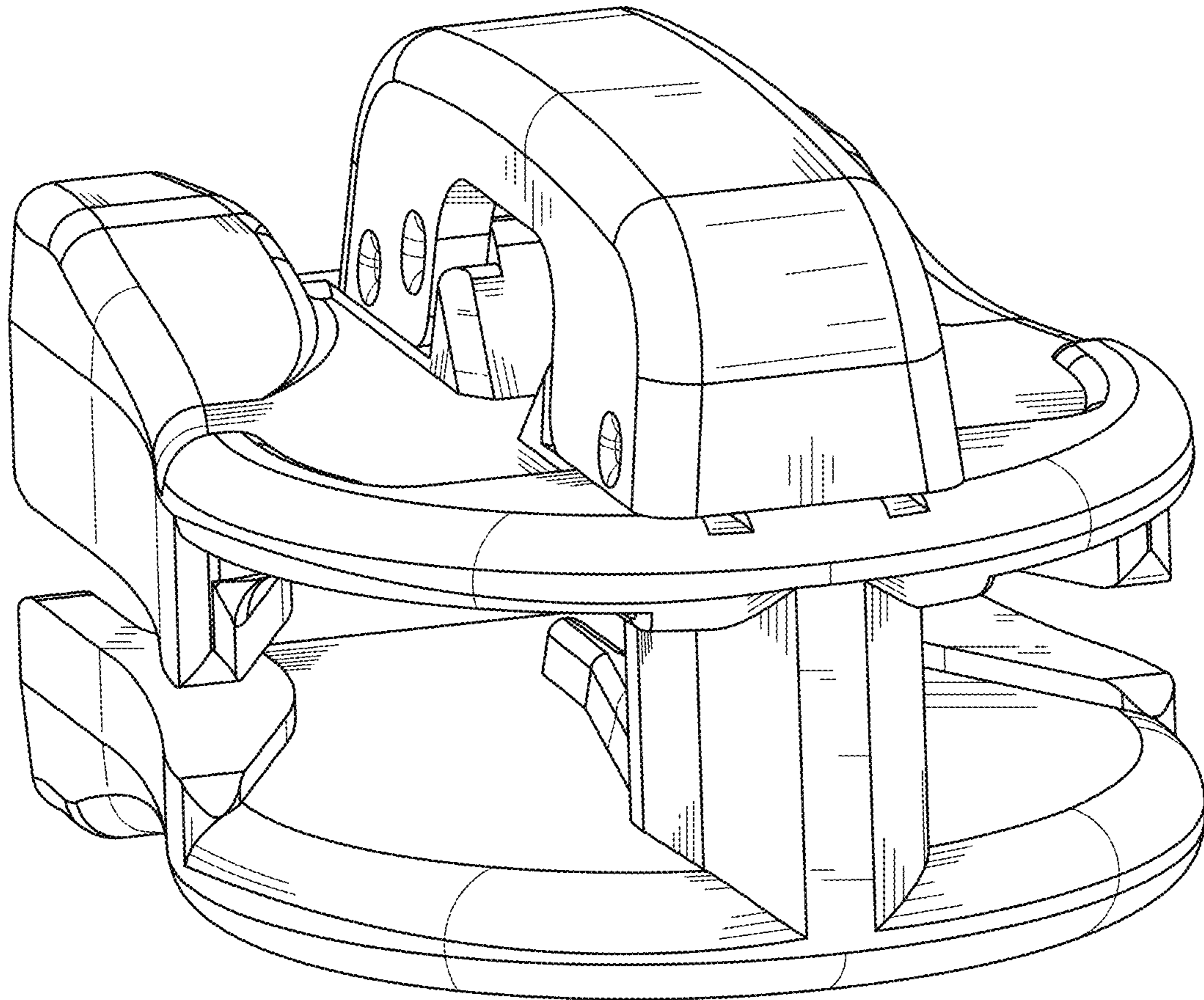


Fig. 7

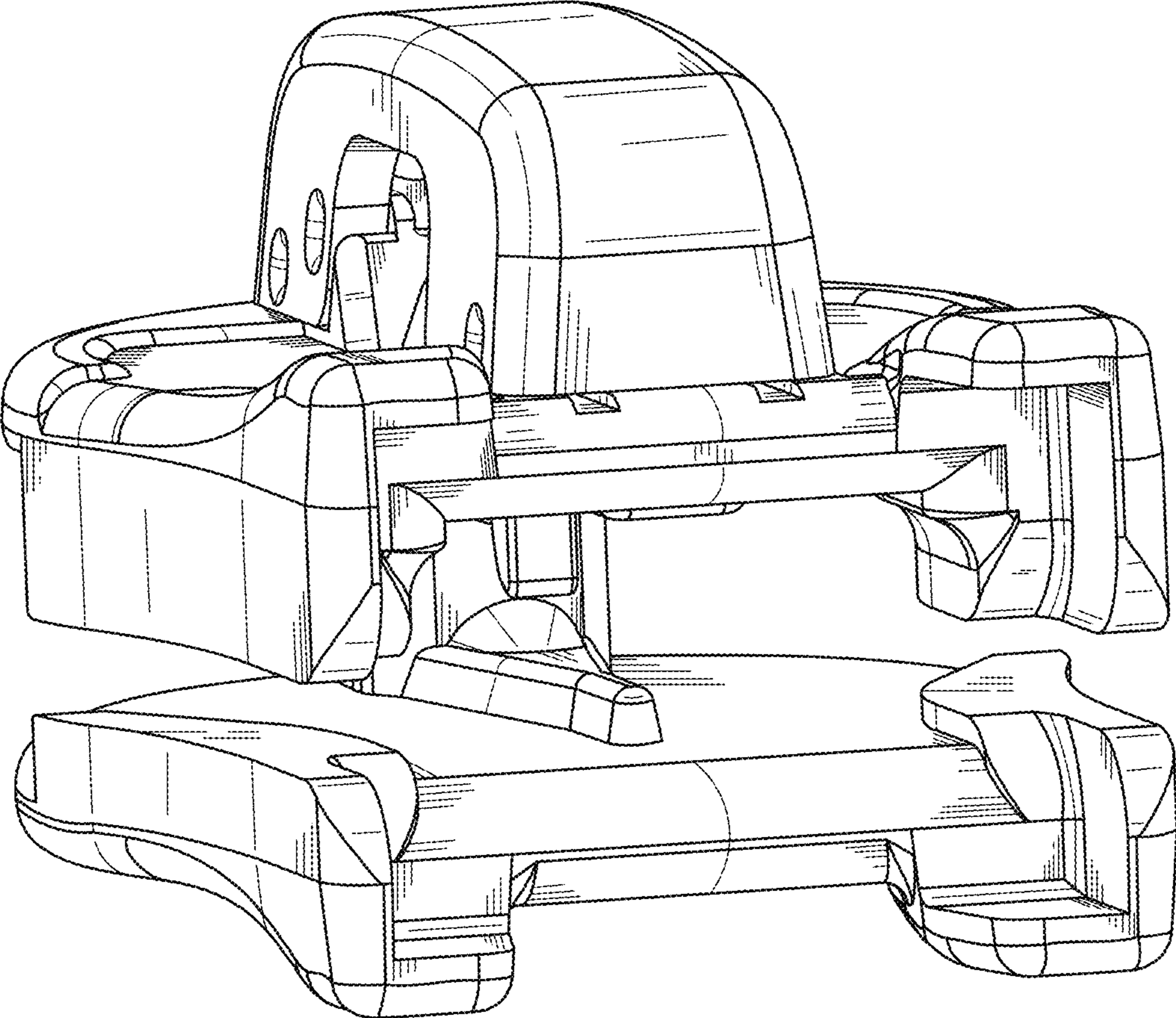


Fig. 8

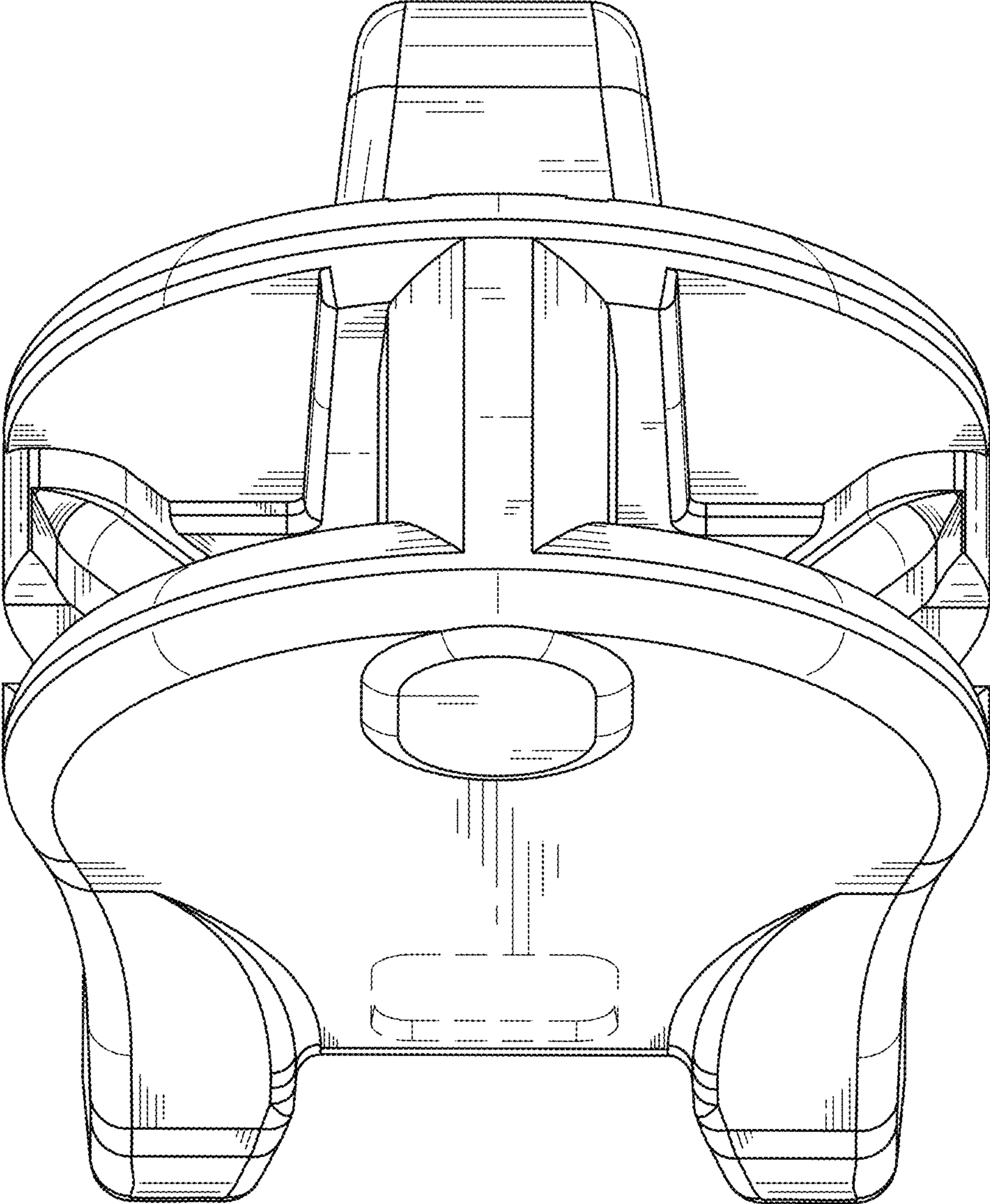


Fig. 9