



US00D850323S

(12) **United States Design Patent**
Kaminski et al.

(10) **Patent No.:** **US D850,323 S**

(45) **Date of Patent:** **** Jun. 4, 2019**

- (54) **PLANTING ASSEMBLY**
- (71) Applicants: **Kristopher Ryan Kaminski**, Long Beach, CA (US); **Ryan Eric Martinage**, Long Beach, CA (US)
- (72) Inventors: **Kristopher Ryan Kaminski**, Long Beach, CA (US); **Ryan Eric Martinage**, Long Beach, CA (US)
- (73) Assignee: **Orecision Cultivation Systems Holdings, LLC**, Long Beach, CA (US)
- (**) Term: **15 Years**
- (21) Appl. No.: **29/631,825**
- (22) Filed: **Jan. 3, 2018**
- (51) **LOC (11) Cl.** **11-02**
- (52) **U.S. Cl.**
USPC **D11/152**
- (58) **Field of Classification Search**
USPC D3/304, 313; D6/405-408, 556-558, D6/675, 675.1, 691; D9/428, 549; D11/143-156, 164
CPC . A01G 9/00; A01G 9/02; A01G 9/021; A01G 9/022; A01G 9/029; A01G 9/0293; A01G 9/042; A47G 7/00; A47G 7/02; A47G 7/06; A47G 7/08
See application file for complete search history.

(56) **References Cited**

U.S. PATENT DOCUMENTS

- 949,452 A * 2/1910 Smith A01G 5/04 47/41.01
- 1,992,878 A * 2/1935 Muller A01G 9/02 47/80
- D110,286 S * 6/1938 Krehbiel 47/65.5
- 2,126,766 A * 8/1938 Gerbermann A47G 7/07 248/363

- 3,371,819 A * 3/1968 Zeman A01G 9/02 220/605
- D243,031 S * 1/1977 Anderson 47/65.5
- 5,105,947 A * 4/1992 Wise B65D 19/18 206/386
- D405,386 S * 2/1999 Ross D11/152
- D452,150 S * 12/2001 Viner D9/428
- D555,389 S * 11/2007 Kershaw D6/403
- D570,159 S * 6/2008 McGill D7/509
- D573,787 S * 7/2008 Sweet D3/23
- 8,356,445 B1 * 1/2013 Colquhoun A01G 9/02 47/39
- 8,474,179 B2 * 7/2013 Jung A01G 9/086 47/65.6
- D717,202 S * 11/2014 Thuma D11/152
- 9,089,621 B1 * 7/2015 Leyva B01F 3/04
- 9,521,815 B2 * 12/2016 Panopoulos A01G 9/02
- 9,879,385 B2 * 1/2018 Tabibnia F24D 3/127
- D812,519 S * 3/2018 Macari D11/164

(Continued)

Primary Examiner — Elizabeth A. Albert

(74) Attorney, Agent, or Firm — Chen Huang; Adli Law Group P.C.

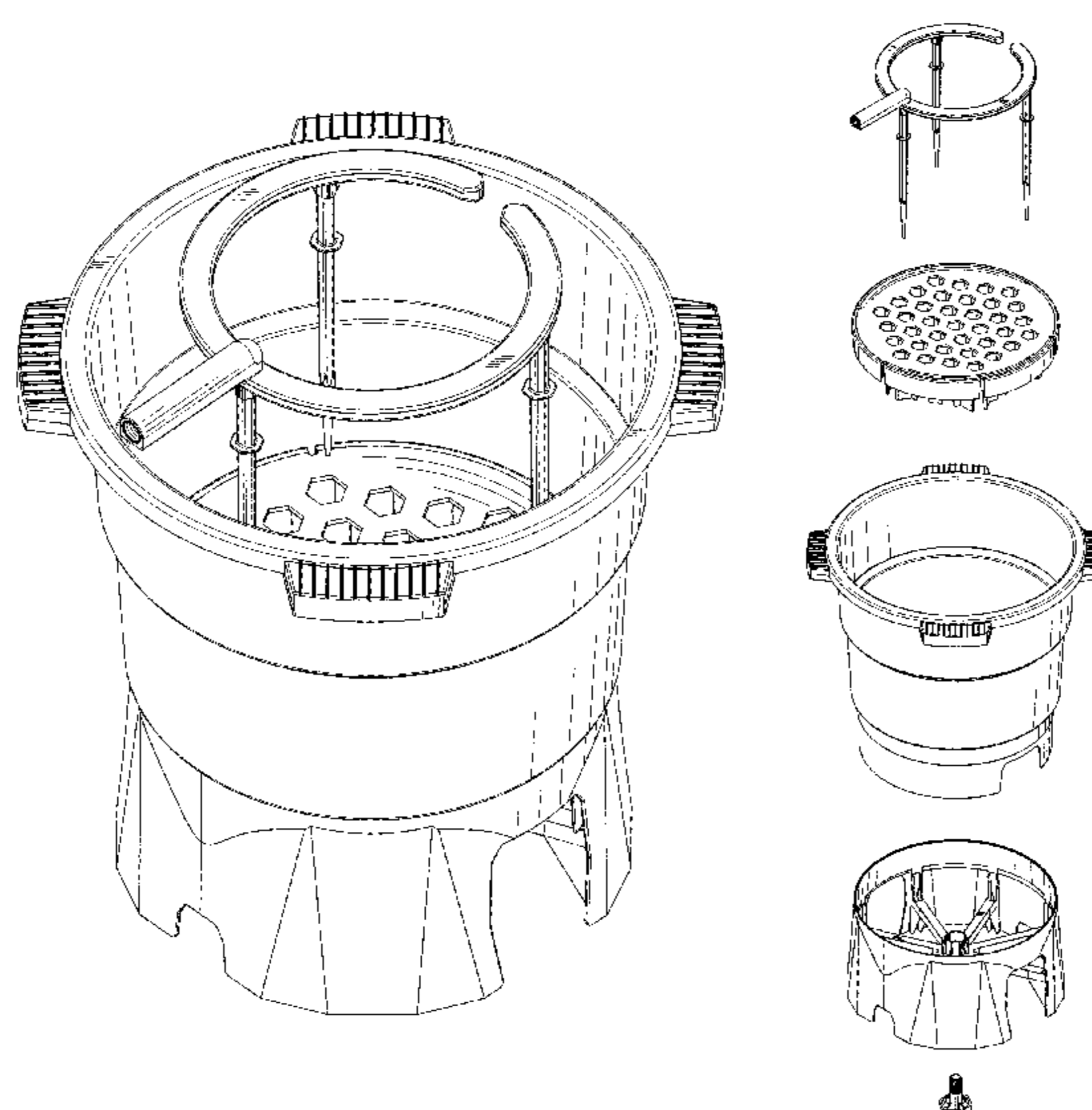
(57) **CLAIM**

We claim the ornamental design for a planting assembly, as shown and described.

DESCRIPTION

FIG. 1 is a top perspective view of a planting assembly according to the claimed design;
 FIG. 2 is a bottom perspective view thereof;
 FIG. 3 is an exploded view thereof;
 FIG. 4 is a top view thereof;
 FIG. 5 is a bottom view thereof;
 FIG. 6 is a front elevation view thereof;
 FIG. 7 is a rear elevation view thereof;
 FIG. 8 is a right side elevation view thereof;
 FIG. 9 is a left side elevation view thereof; and,
 FIG. 10 is a sectional view thereof, taken along the line 10-10 in FIG. 4.

1 Claim, 10 Drawing Sheets



(56)

References Cited

U.S. PATENT DOCUMENTS

10,091,951 B2 * 10/2018 Kaminski A01G 9/02
2012/0080538 A1 * 4/2012 Reid A01G 27/006
239/276
2017/0208750 A1 * 7/2017 Holby A01G 9/021
2018/0125015 A1 * 5/2018 Marshall A01G 9/02
2018/0132433 A1 * 5/2018 Kaminski A01G 9/02

* cited by examiner

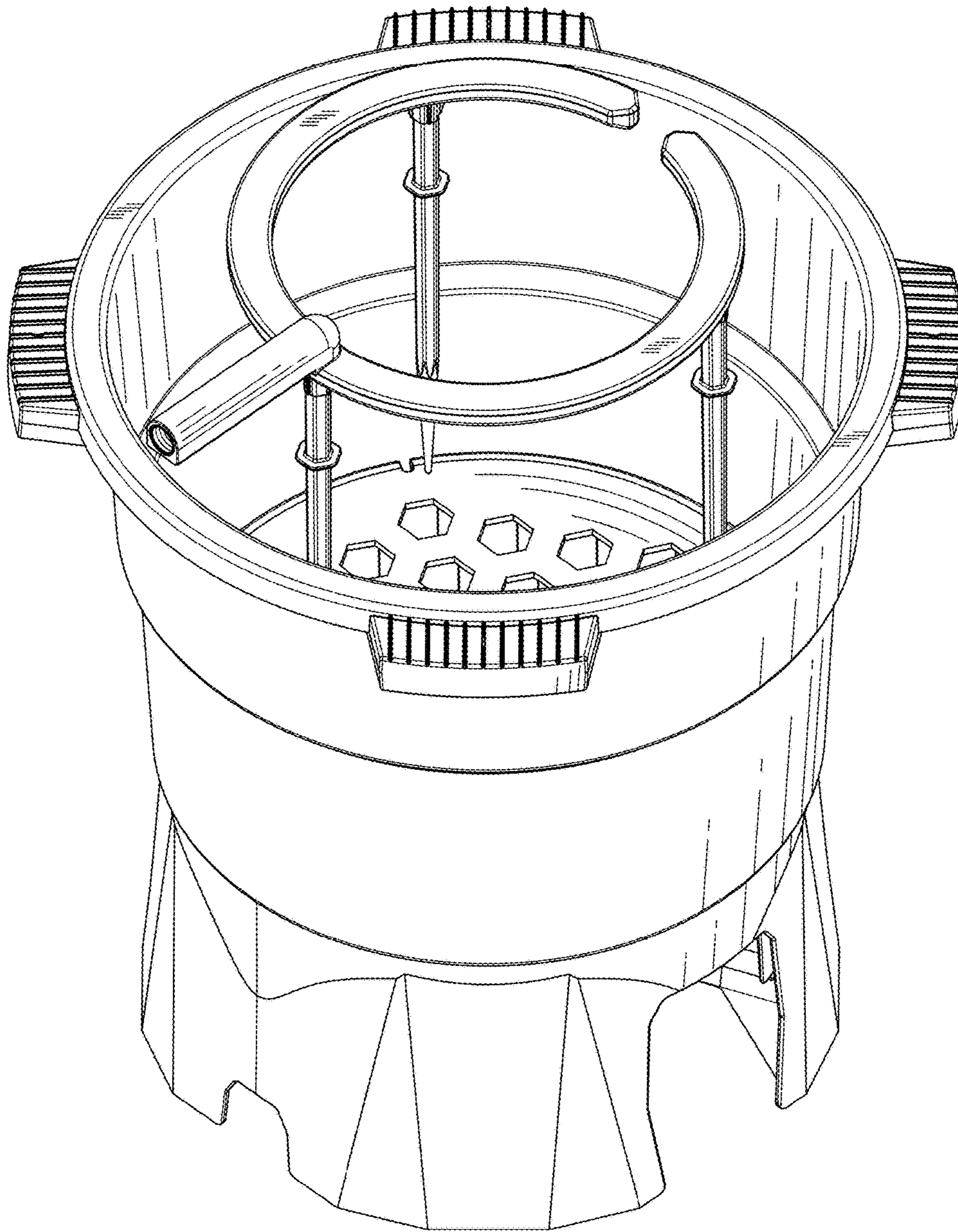


FIG. 1

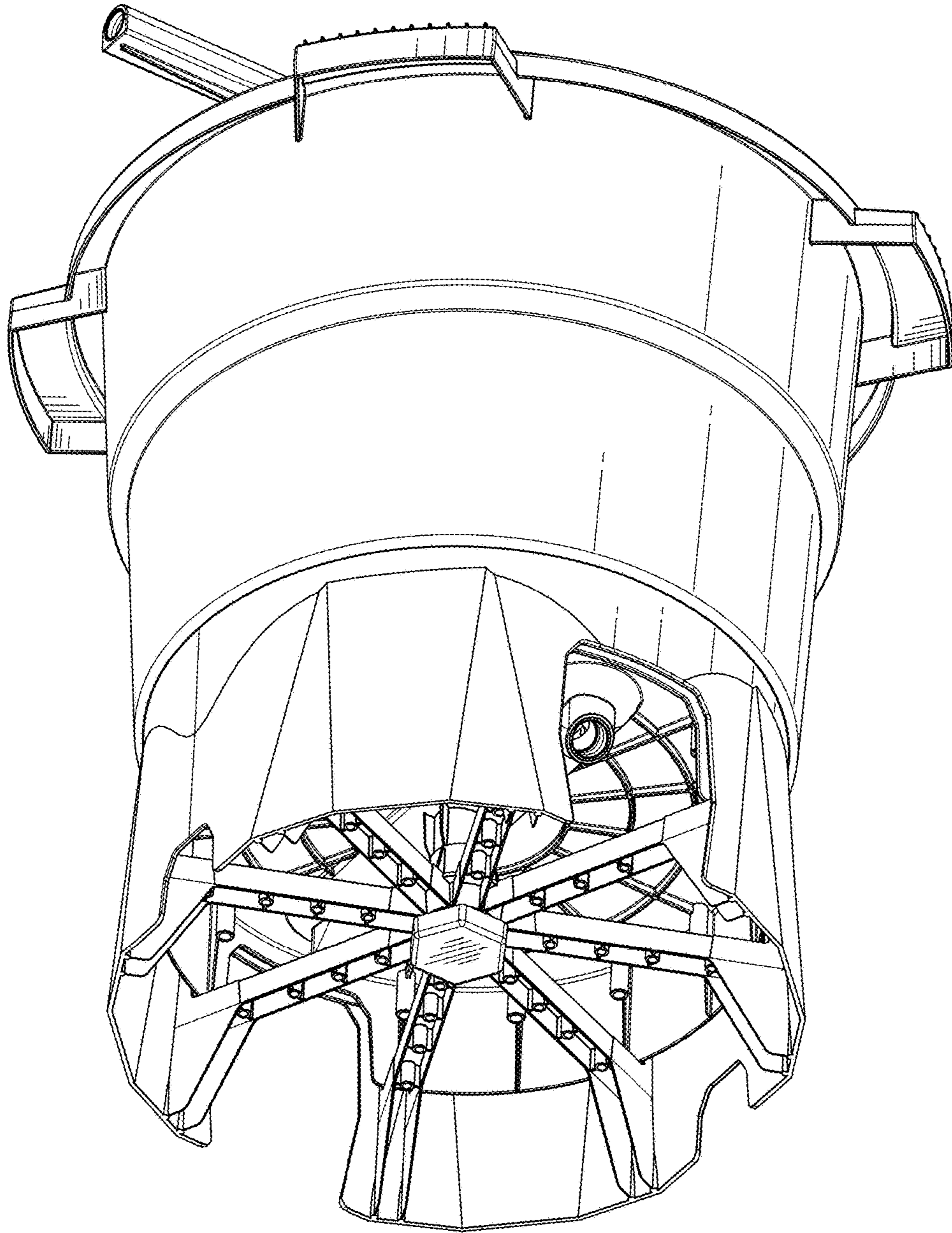
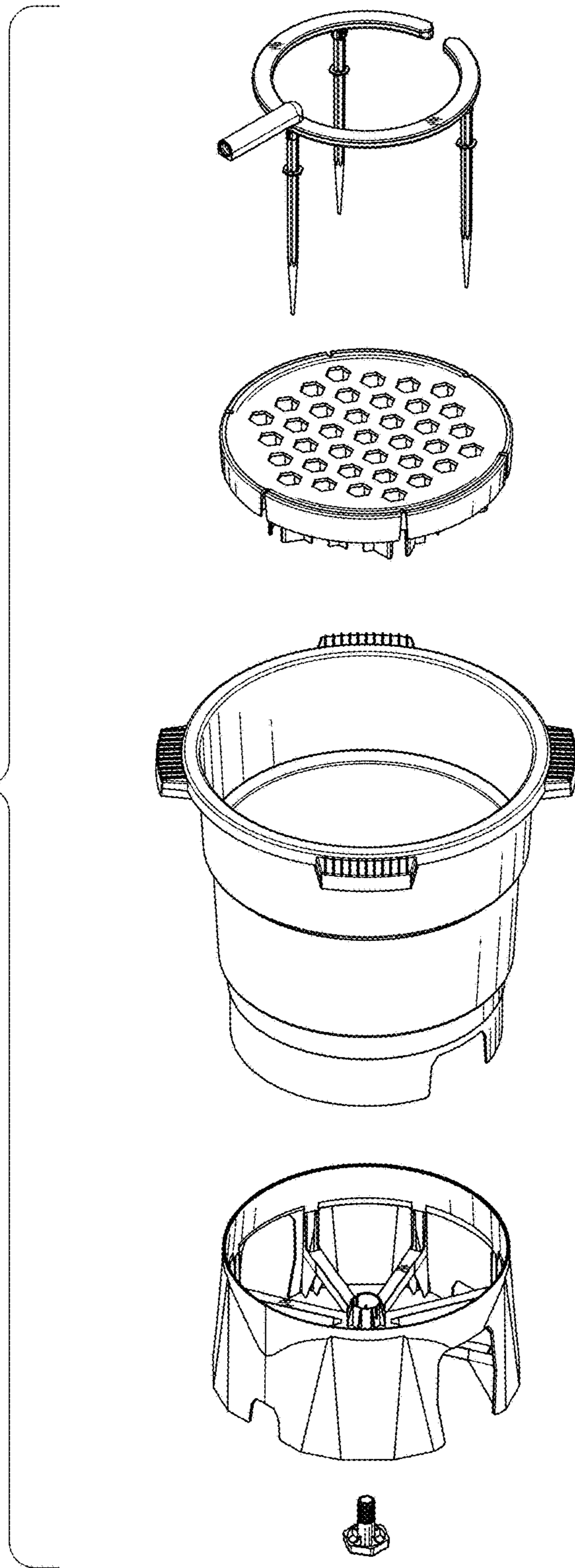


FIG. 2

FIG. 3



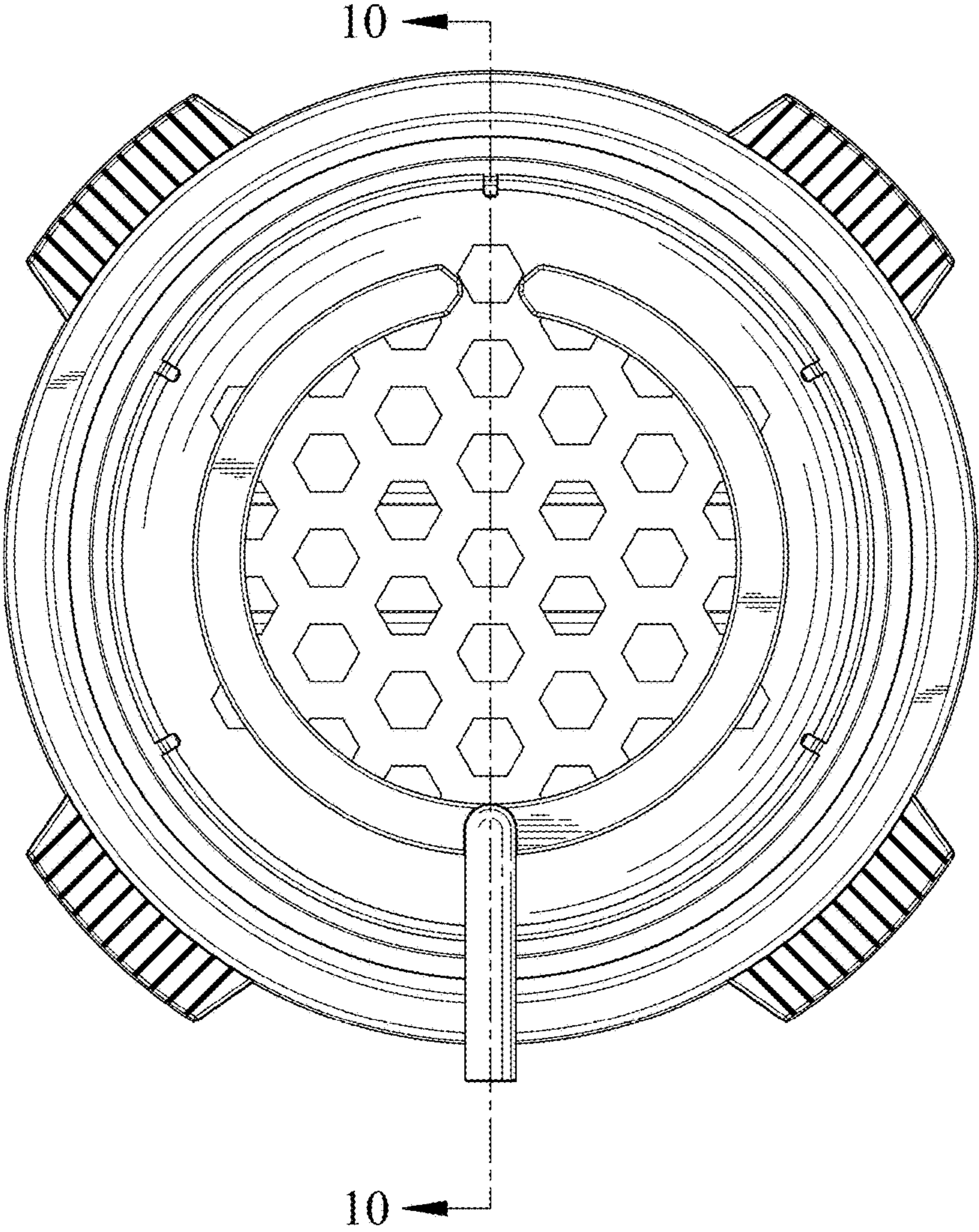


FIG. 4

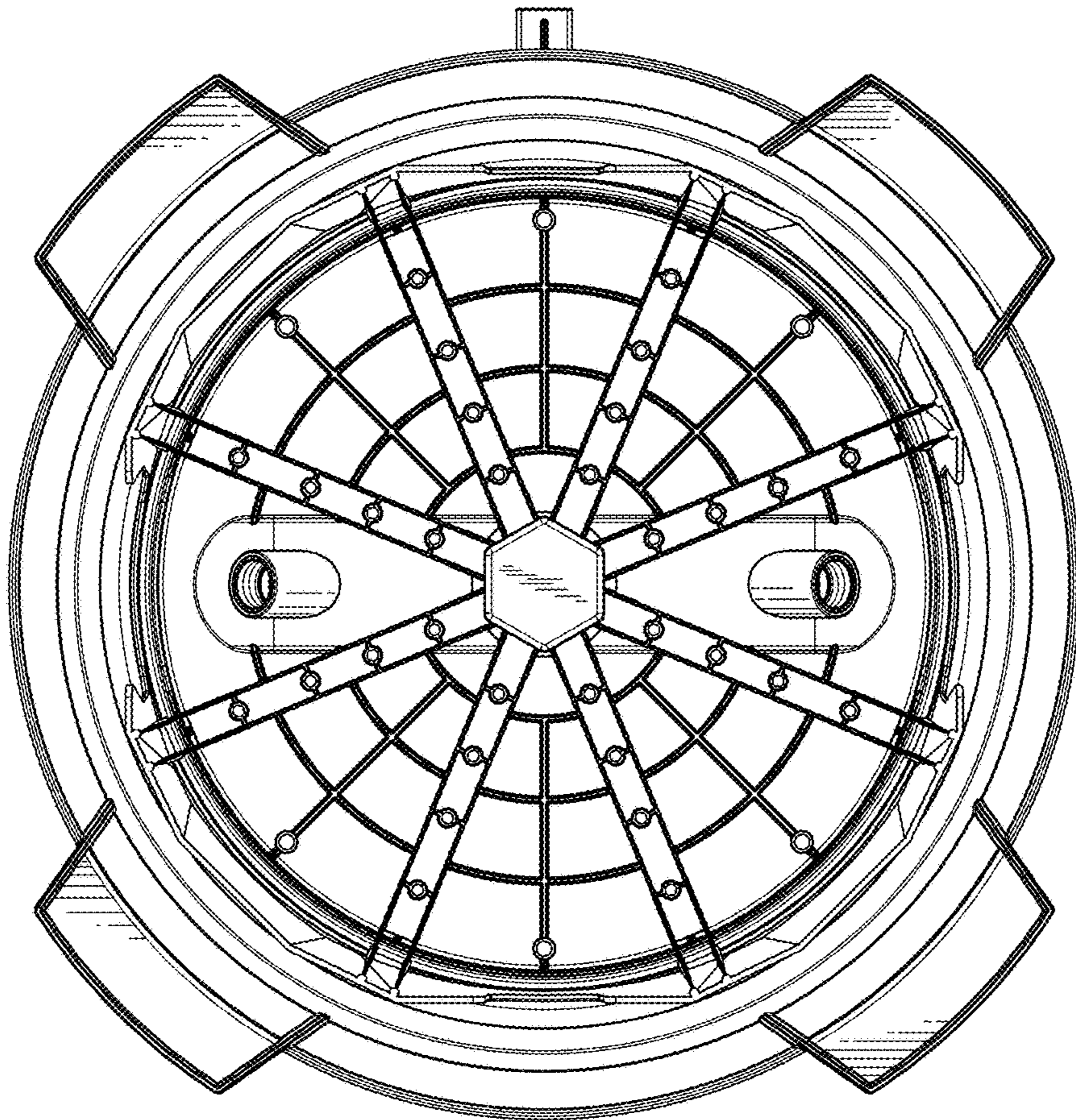


FIG. 5

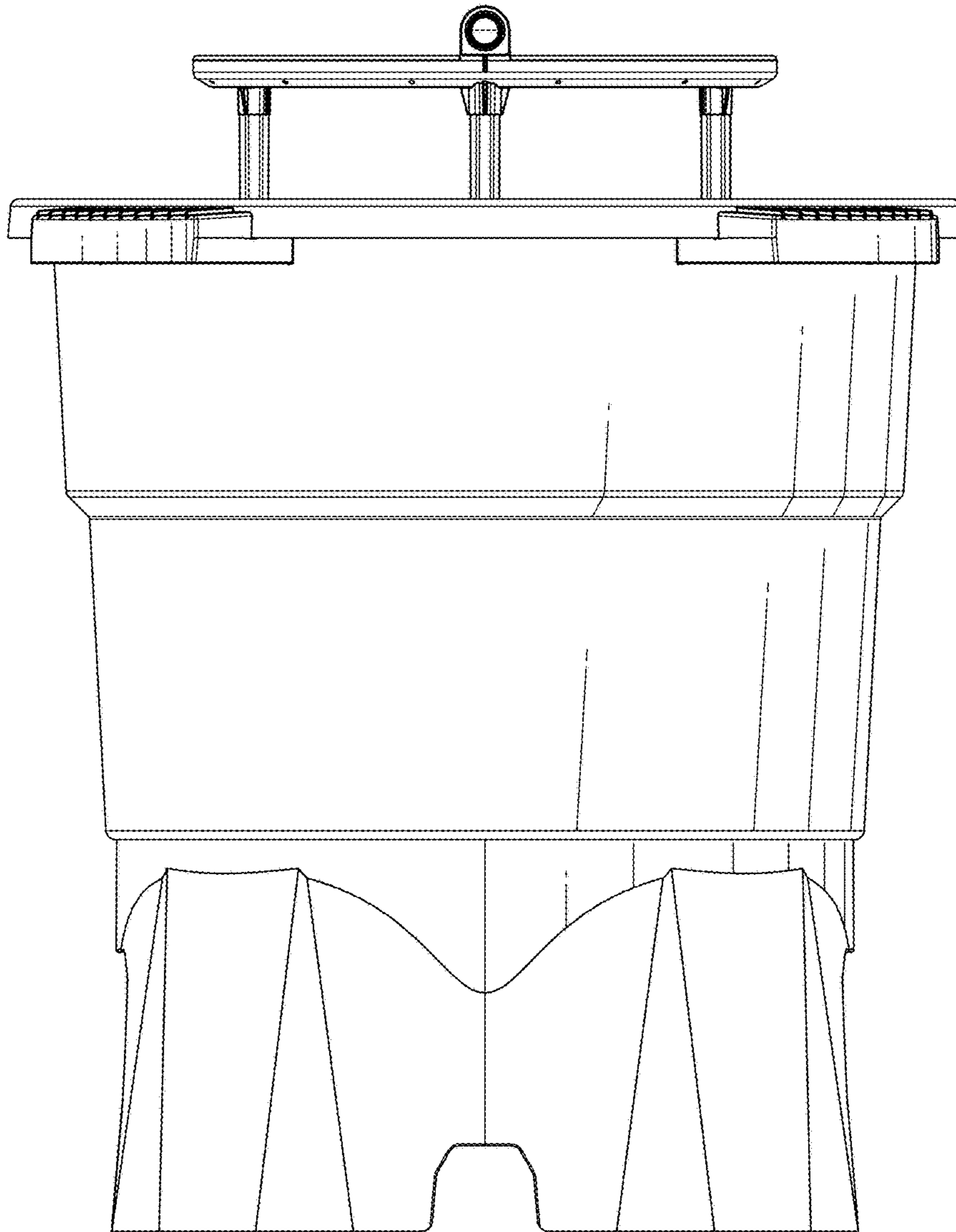


FIG. 6

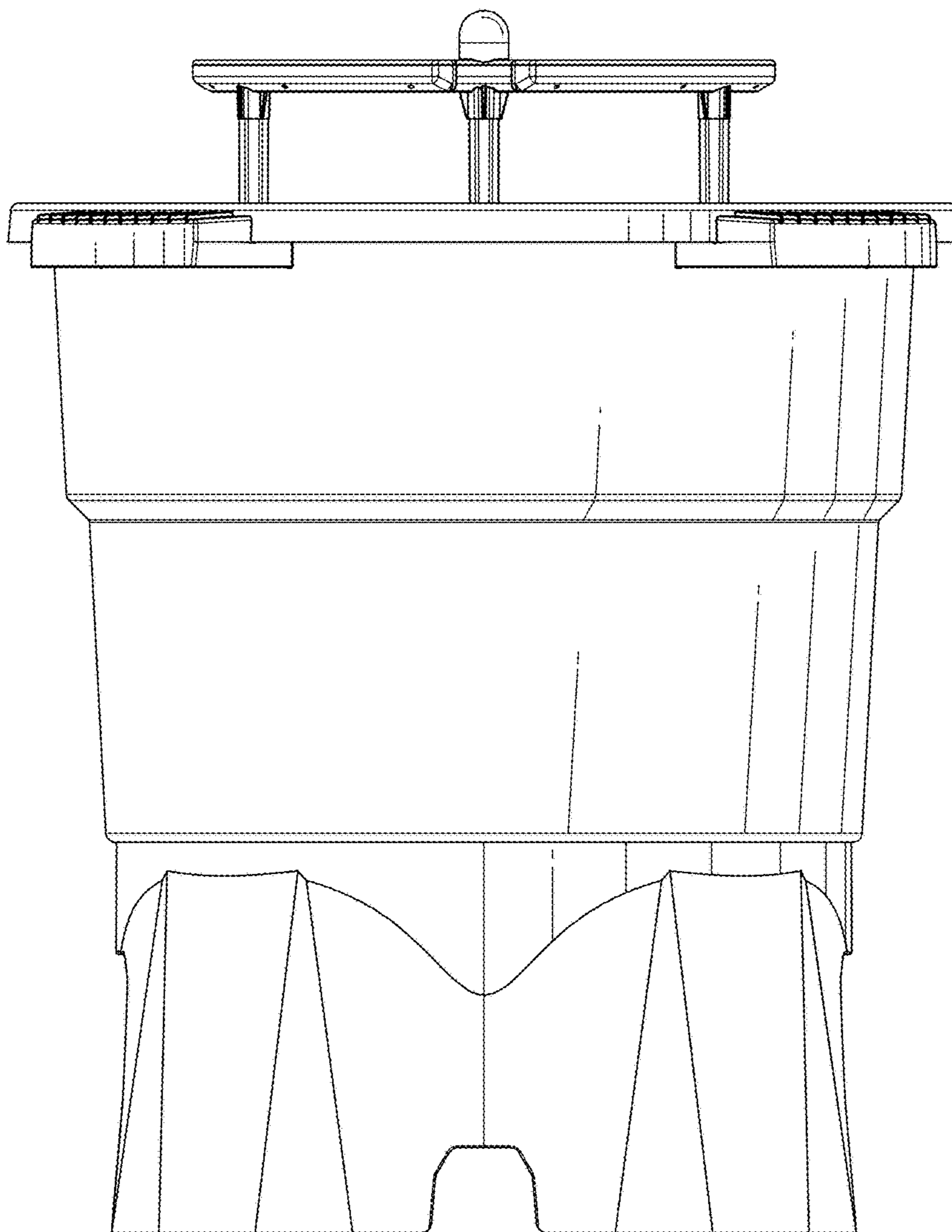


FIG. 7

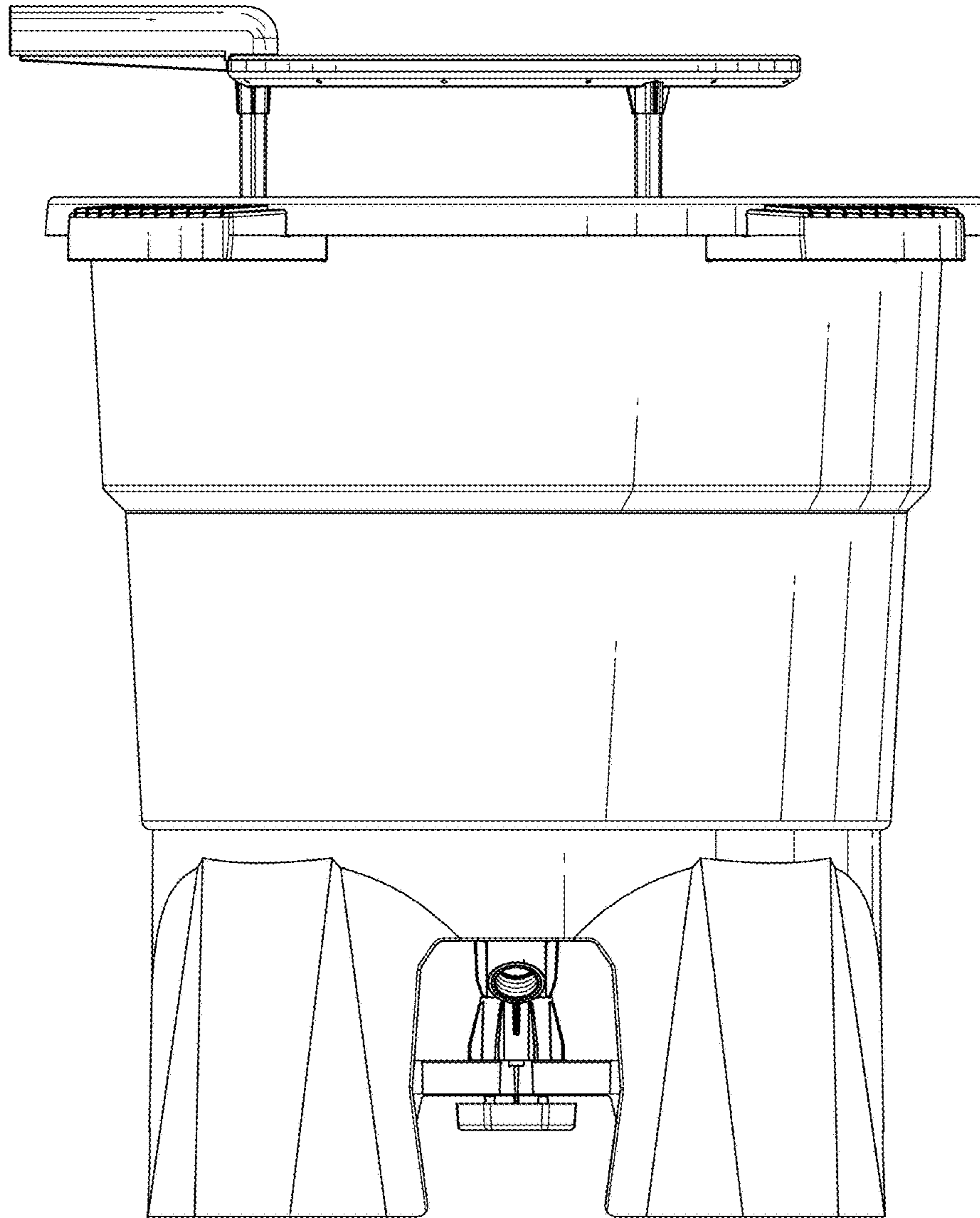


FIG. 8

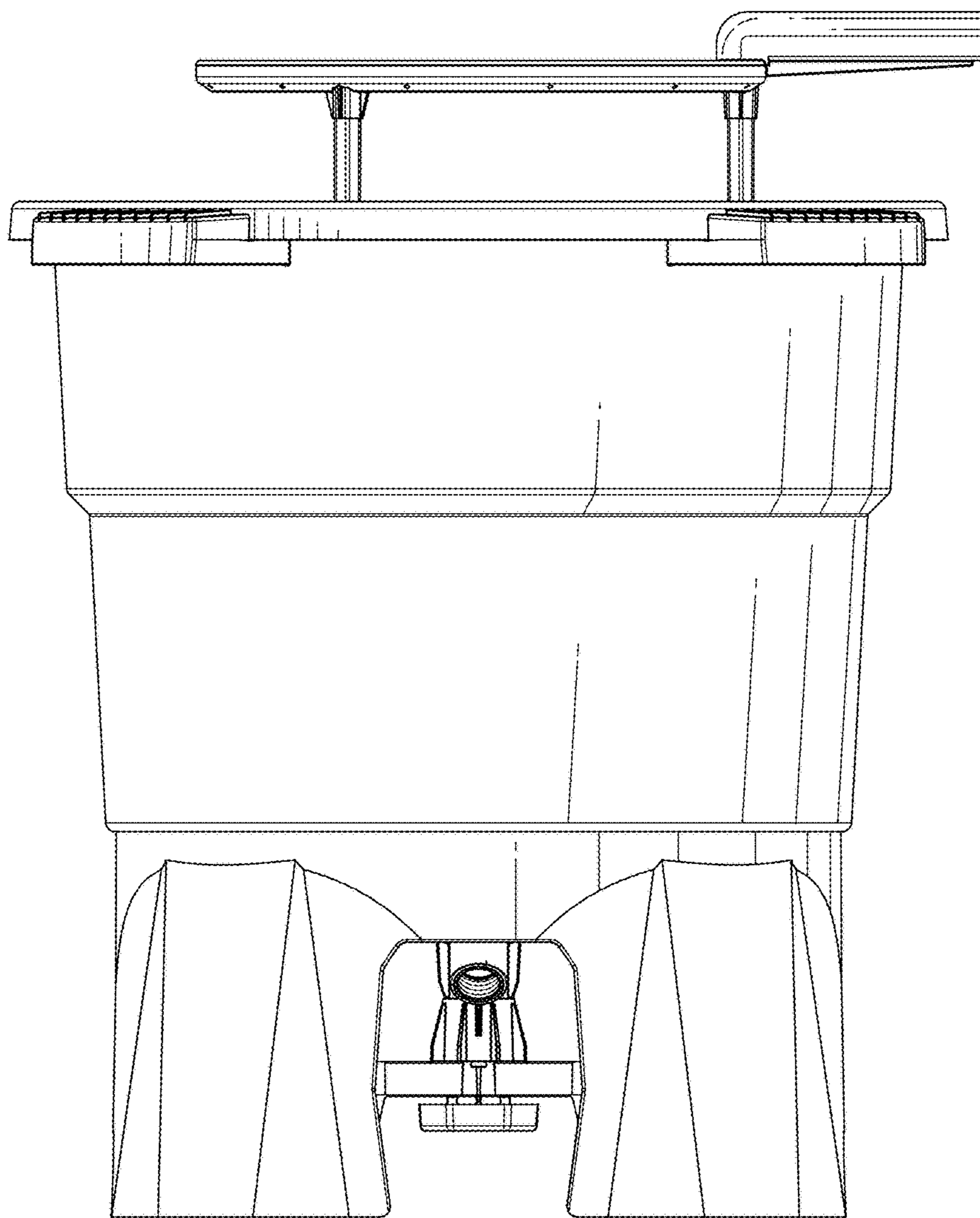


FIG. 9

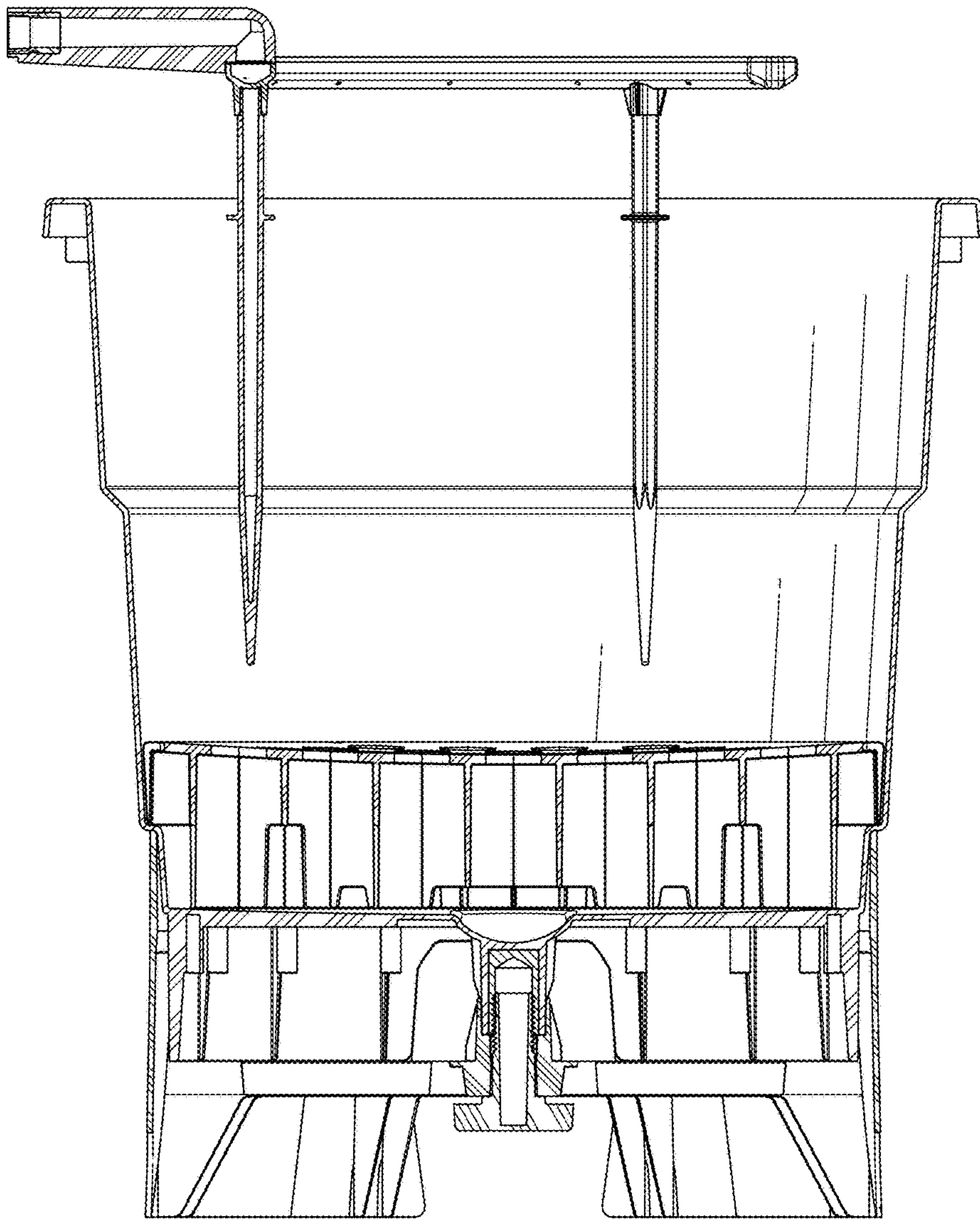


FIG. 10