



US00D850322S

(12) **United States Design Patent** (10) **Patent No.:** **US D850,322 S**
Harshman et al. (45) **Date of Patent:** **** Jun. 4, 2019**

(54) **DUAL SIDED OPEN ENDED FLORAL BOUQUET MECHANIC**

2,209,891 A * 7/1940 Hoover A01G 13/0281
47/32
2,637,143 A * 5/1953 Reynolds A47G 7/07
47/41.13

(71) Applicant: **Syndicate Sales, Inc.**, Kokomo, IN (US)

2,982,051 A 5/1961 Wheelock
(Continued)

(72) Inventors: **Trent A. Harshman**, Galveston, IN (US); **Holly Heider Chapple**, Leesburg, VA (US)

FOREIGN PATENT DOCUMENTS

DE 402013100427-0001 8/2013
JP H03-49717 A 3/1991

(Continued)

(73) Assignee: **Syndicate Sales, Inc.**, Kokomo, IN (US)

OTHER PUBLICATIONS

(**) Term: **15 Years**

Slow Flower Journal, New Design Mechanics from Syndicate Sales and Holly Chapple, Publication date Oct. 22, 2017, [Publication date unknown], Available on the Internet URL <http://slowflowersjournal.com/index.php/2017/10/22/new-design-mechanics-from-syndicate-sales-and-holly-chapple/>.*

(Continued)

(21) Appl. No.: **29/676,383**

(22) Filed: **Jan. 10, 2019**

Related U.S. Application Data

(62) Division of application No. 29/596,435, filed on Mar. 8, 2017.

(51) **LOC (11) Cl.** **11-02**

(52) **U.S. Cl.**
USPC **D11/143**

(58) **Field of Classification Search**
USPC D11/143, 144, 145, 146
CPC A01G 31/02; Y02P 60/216
See application file for complete search history.

Primary Examiner — Karen S Acker

Assistant Examiner — Steven B Reinholdt, Jr.

(74) *Attorney, Agent, or Firm* — Woodard, Emhardt, Henry, Reeves & Wagner, LLP; William McKenna; Charles Meyer

(57) **CLAIM**

The ornamental design for a dual sided open ended floral bouquet mechanic, as shown and described.

DESCRIPTION

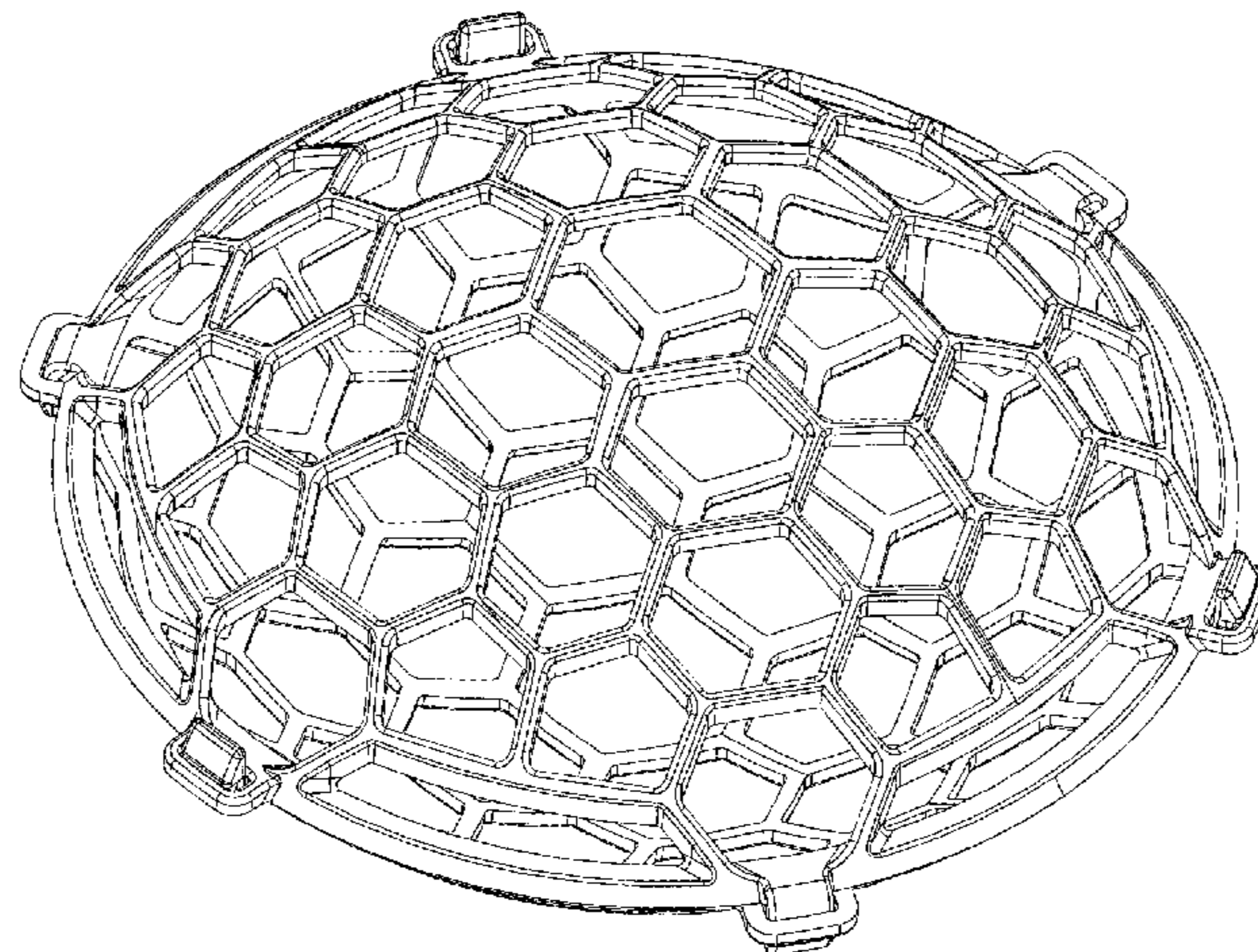
FIG. 1 is a top perspective view of a dual sided open ended floral bouquet mechanic incorporating our new design; FIG. 2 is a front view thereof; FIG. 3 is a rear view thereof; FIG. 4 is a left view thereof; FIG. 5 is a right view of thereof; FIG. 6 is a bottom view of thereof; and, FIG. 7 is a top view thereof.

1 Claim, 7 Drawing Sheets

References Cited

U.S. PATENT DOCUMENTS

626,013 A * 5/1899 Walker A47G 7/07
47/41.13
1,962,110 A * 6/1934 Ash A47G 7/07
47/41.13
2,005,966 A * 6/1935 Beagle A47G 7/07
47/41.13



(56)

References Cited

U.S. PATENT DOCUMENTS

3,274,596 A * 9/1966 Raabe H01Q 1/082
342/10

3,630,811 A 12/1971 Radus

3,768,202 A 10/1973 Wheelock

D246,742 S 12/1977 Baker

D262,611 S 1/1982 Gonzales et al.

5,236,196 A 8/1993 Blankenburg et al.

D340,882 S 11/1993 Holtkamp, Jr.

D379,779 S 6/1997 Shryock

6,523,301 B2 2/2003 Delaney

D624,454 S 9/2010 Kertz

D636,114 S * 4/2011 De Lucchi D26/128

8,708,166 B1 4/2014 Crouch

8,763,306 B1 7/2014 Perlsweig

9,161,888 B2 10/2015 Lamar

D767,688 S * 9/2016 Nelson D21/398

D827,041 S 8/2018 Brand

D827,052 S 8/2018 Flores

D837,898 S * 1/2019 Flores D21/431

2006/0185231 A1 * 8/2006 Barrett A47G 7/07
47/41.11

2009/0170643 A1 * 7/2009 Silverglate A63B 39/00
473/567

2010/0095585 A1 4/2010 Hall

2010/0179593 A1 * 7/2010 Lamar A61J 17/007
606/236

2011/0131877 A1 * 6/2011 Terasawa A01G 9/086
47/66.5

2013/0219785 A1 * 8/2013 Ritchotte A01G 9/12
47/45

FOREIGN PATENT DOCUMENTS

JP H08-299135 A 11/1996

JP 2007-014713 A 1/2007

OTHER PUBLICATIONS

English Abstract of JP 2007-014713 A obtained from Lexis-Nexis Total Patent on Dec. 13, 2018.

English Abstract of JP 1991-49717 A obtained from Lexis-Nexis Total Patent on Dec. 13, 2018.

English Abstract of JP 1996-299135 A obtained from Lexis-Nexis Total Patent on Dec. 12, 2018.

Google Search-<https://www.google.com/search?q=florat+wire+frog&rlz=1C1CHFXenUS586US587&source=lnms&tbn=isch&sa=X&ved=0ahUKEwiE5LL7n13SAHUrhlQKHRIHBZwQ.AUICSgC&biw=1097&bih=543&dpr=1.75#imgrc=6dPflHU6c9Mxrm-pgs.YouTube.com-Flower Joos, Published Sep. 10, 2018, New Design Mechanics—Floral Pillow and Egg, Available on the Internet URL; https://www.youtube.com/watch?v=fGcAJVTP8Ss>

* cited by examiner

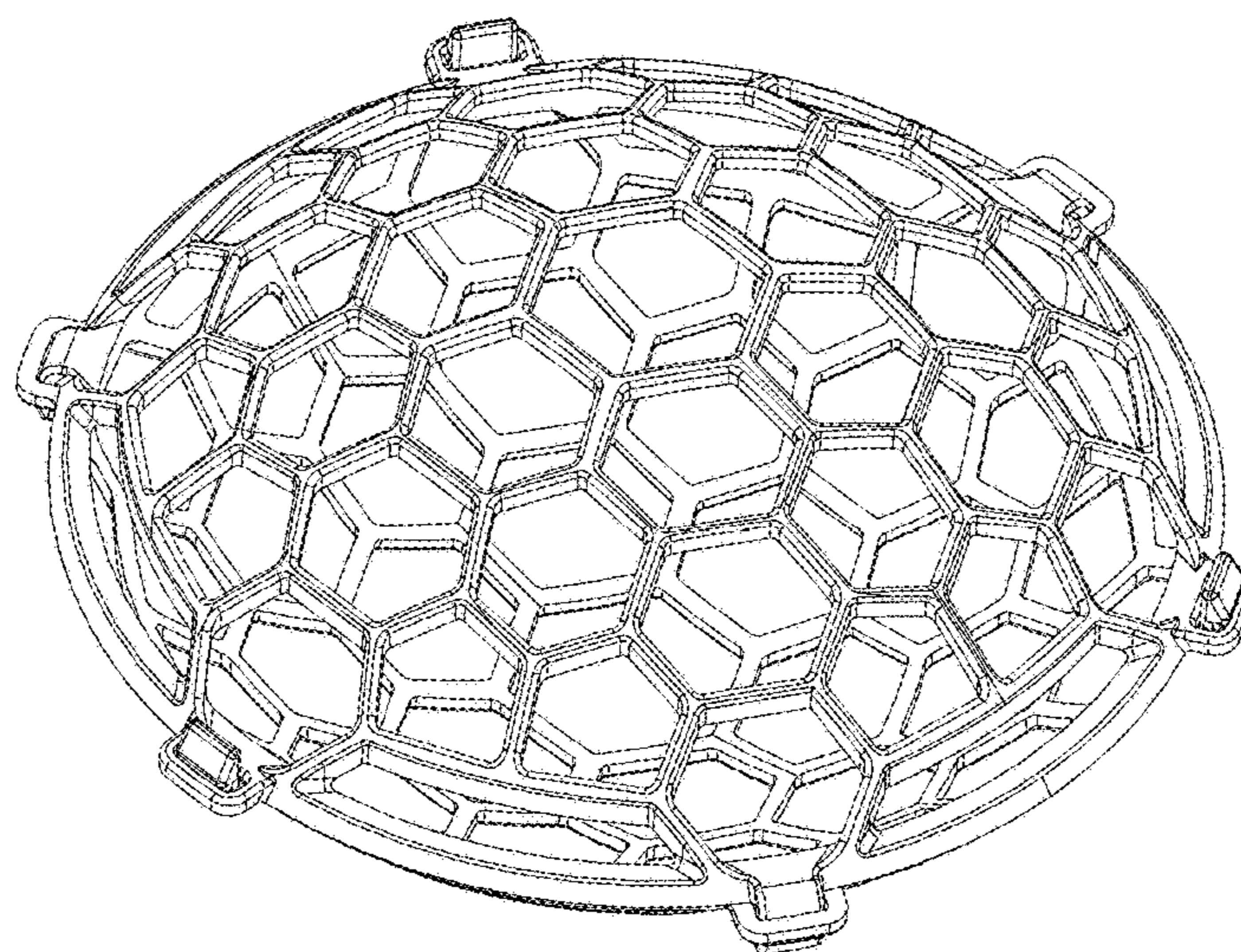


Fig. 1

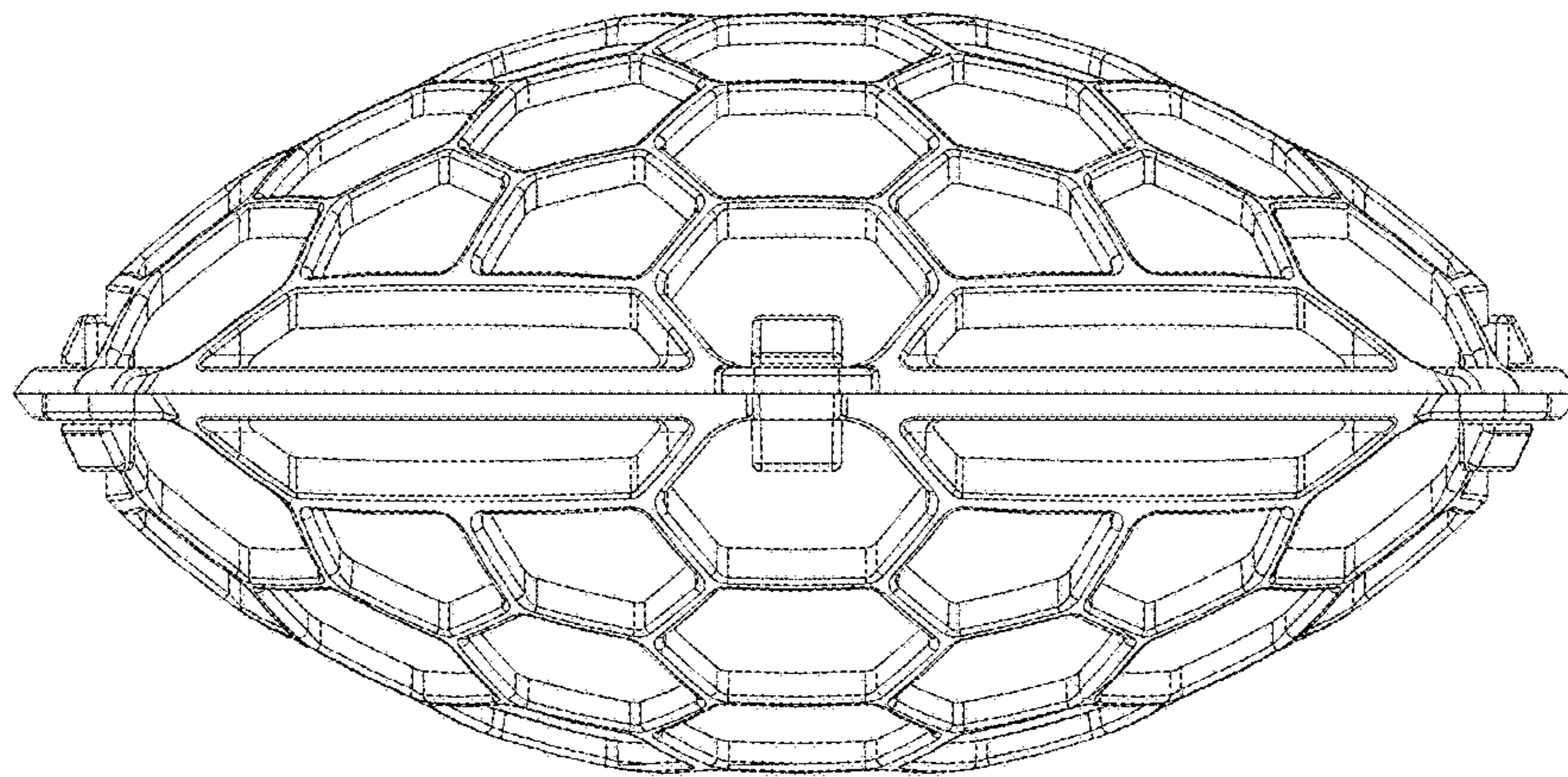


Fig. 2

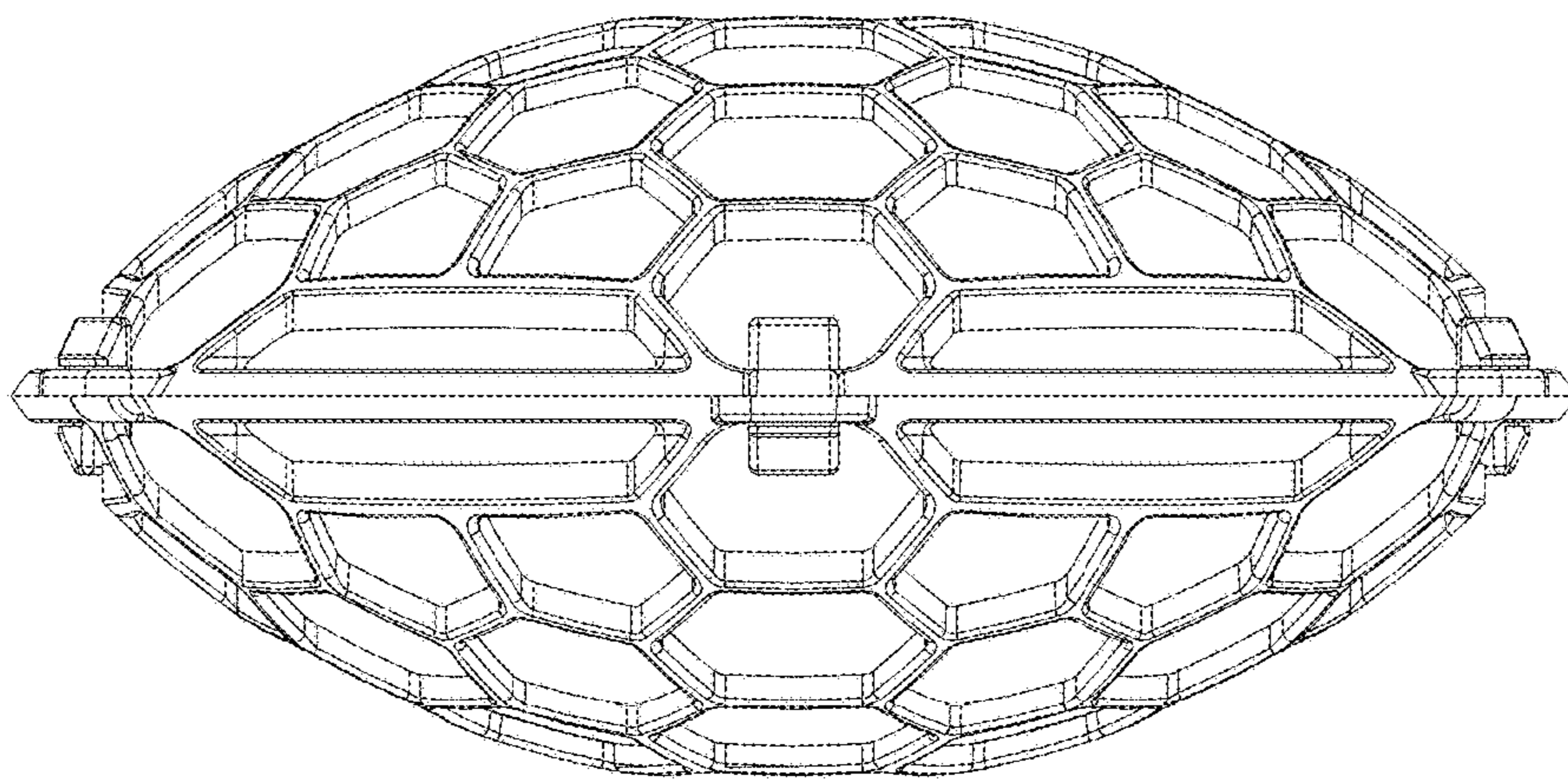


Fig. 3

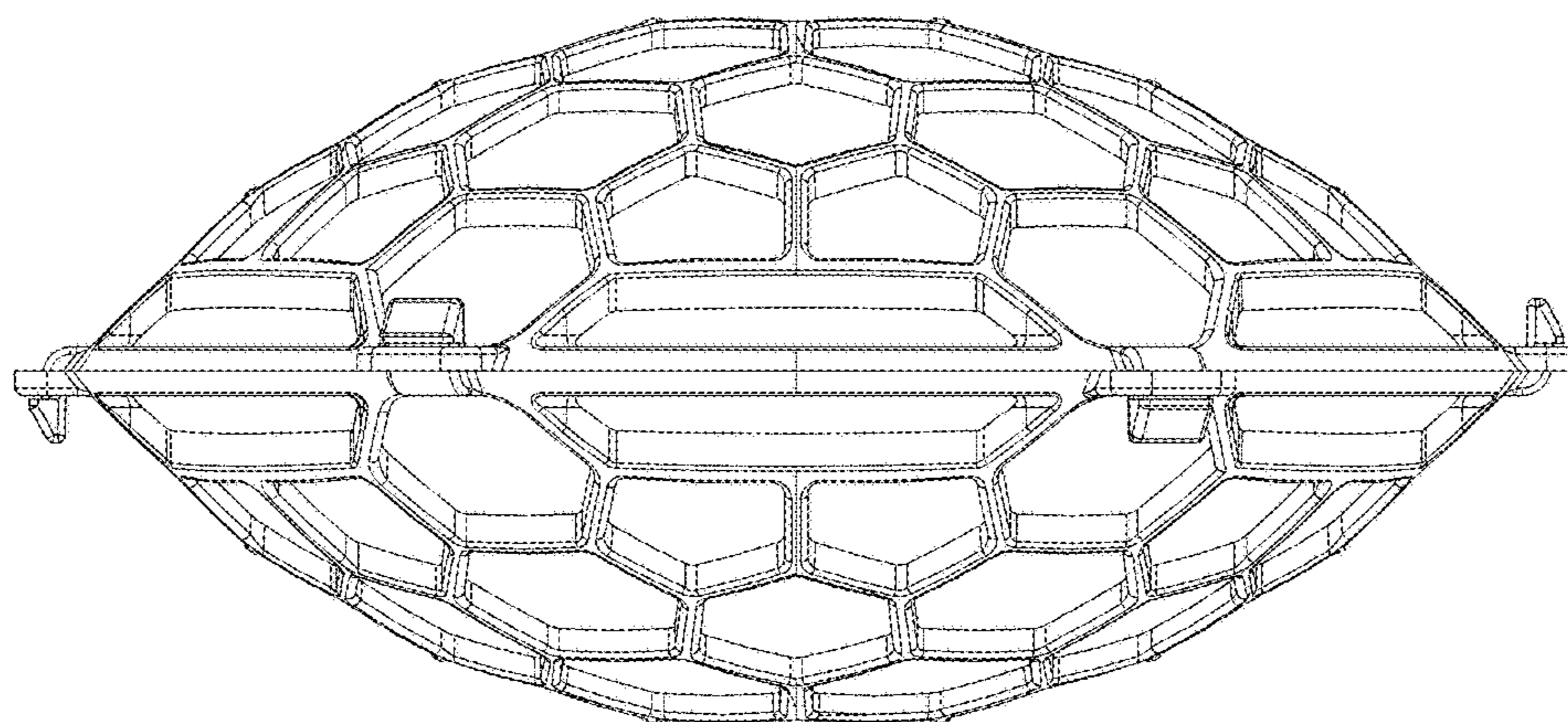


Fig. 4

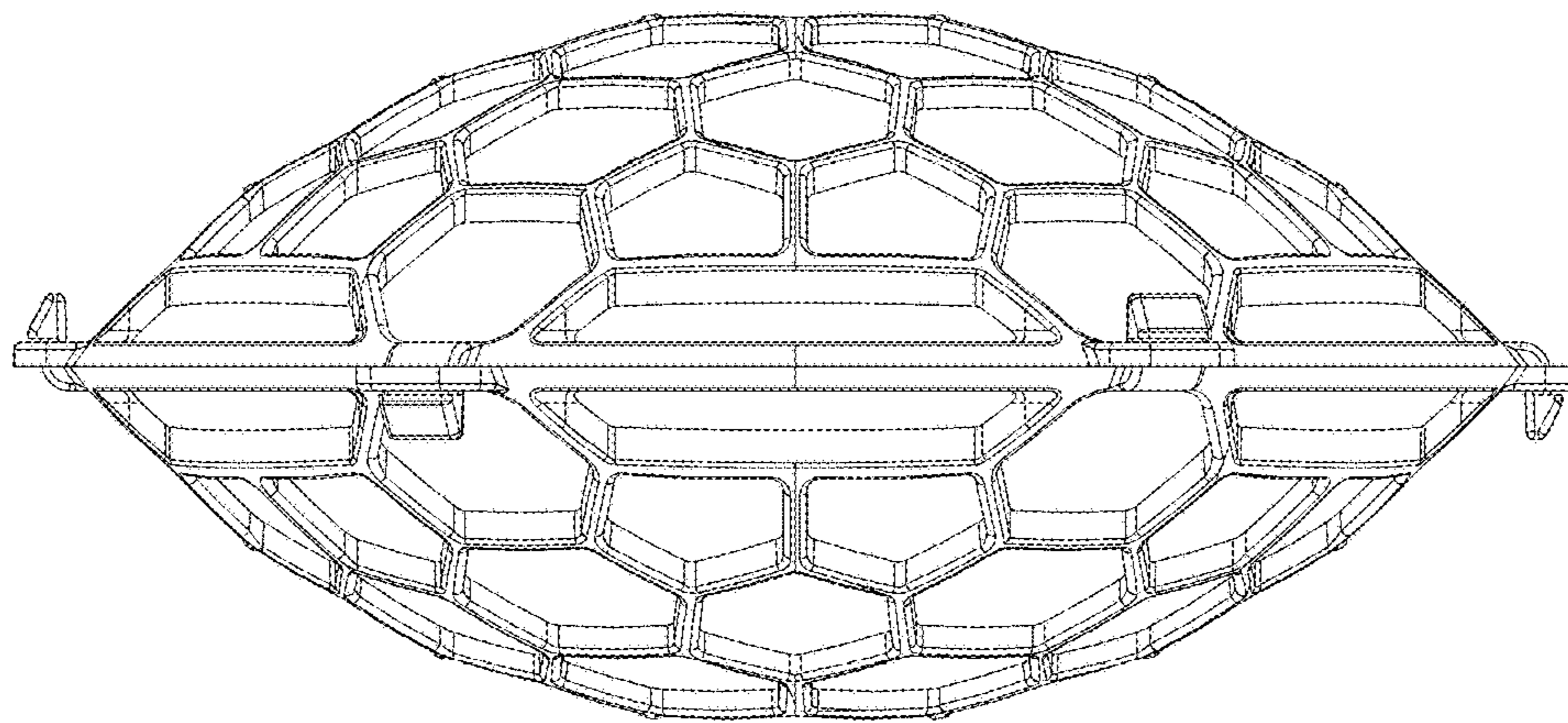


Fig. 5

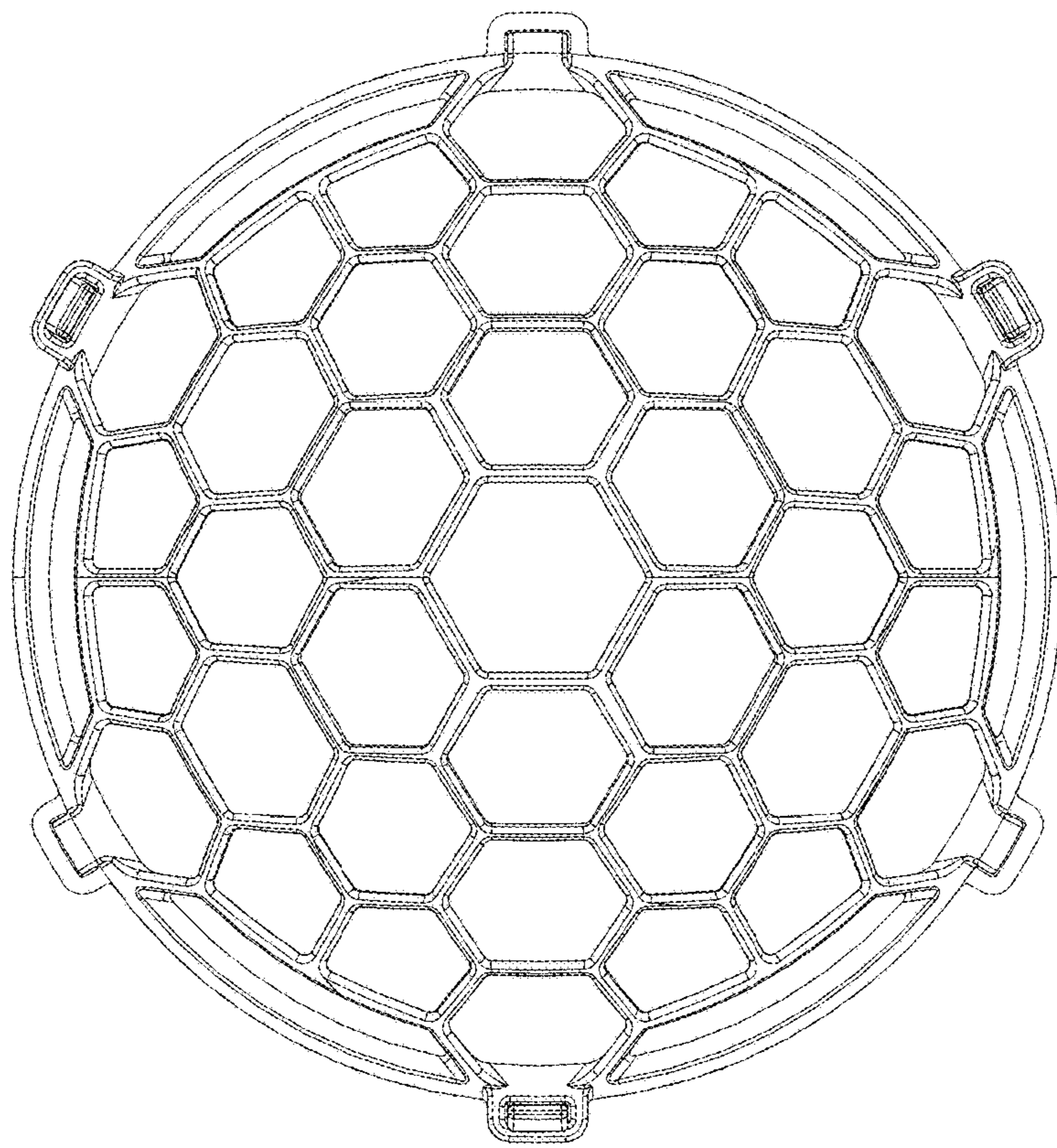


Fig. 6

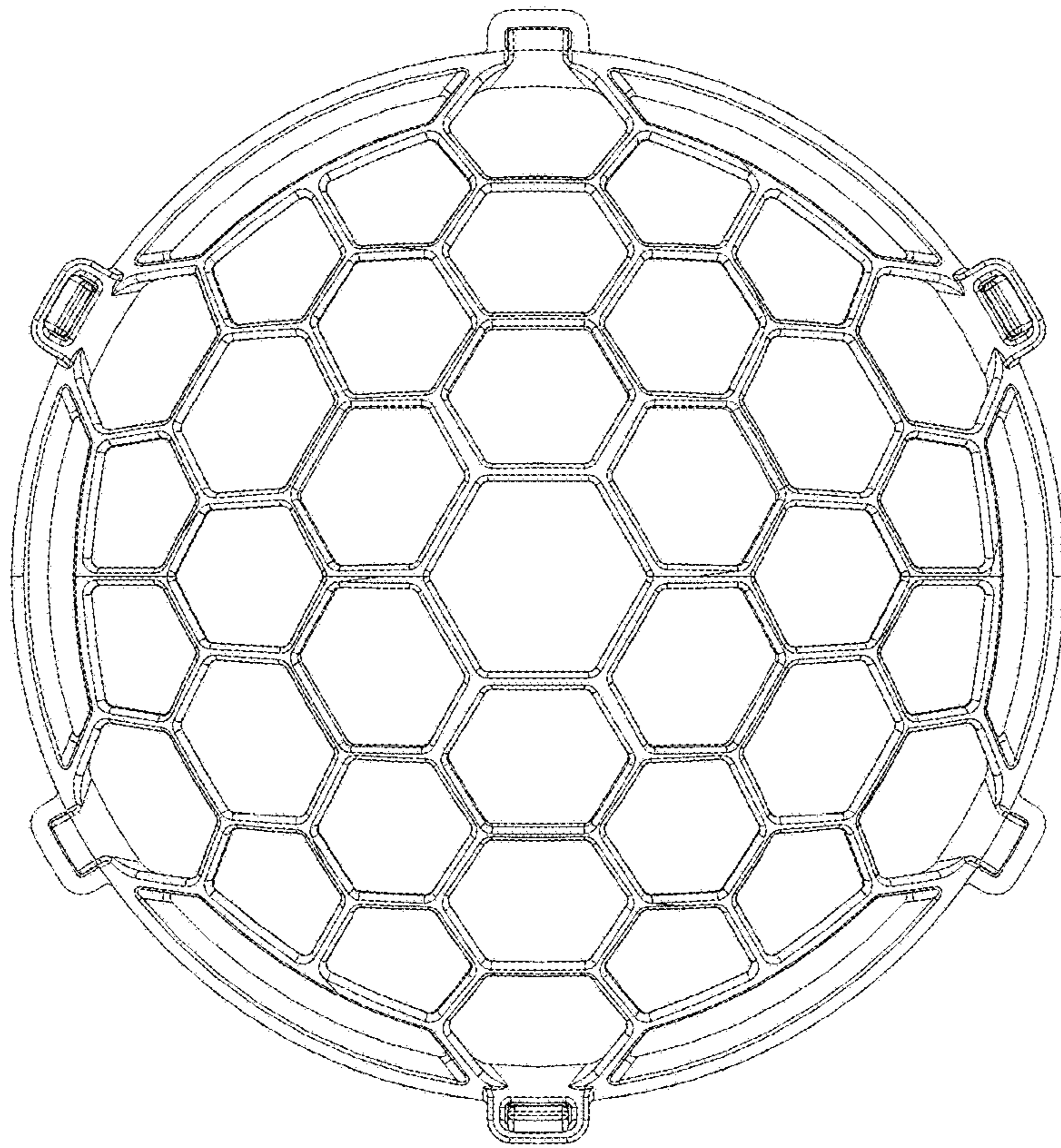


Fig. 7