



US00D850321S

(12) **United States Design Patent**  
**Chinalai**

(10) **Patent No.:** **US D850,321 S**

(45) **Date of Patent:** **\*\* Jun. 4, 2019**

(54) **SAFETY CLASP FOR A NECKLACE**

(71) Applicant: **Andrea Hope Chinalai**, Miller Place,  
NY (US)

(72) Inventor: **Andrea Hope Chinalai**, Miller Place,  
NY (US)

(\*\*) Term: **15 Years**

(21) Appl. No.: **29/613,242**

(22) Filed: **Aug. 8, 2017**

(51) **LOC (11) Cl.** ..... **11-01**

(52) **U.S. Cl.**

USPC ..... **D11/87**

(58) **Field of Classification Search**

USPC ..... D11/1-2, 7, 40-44, 46-49, 53, 56, 57,  
D11/59-61, 63, 65, 79-83, 86-87, 89-90,  
D11/91-92, 99, 101, 106, 114-116,  
D11/200-201; D8/382

CPC ..... A44C 5/00; A44C 11/02

See application file for complete search history.

(56) **References Cited**

**U.S. PATENT DOCUMENTS**

2,540,369 A \* 2/1951 Hume ..... A44C 11/002  
446/124  
3,357,204 A \* 12/1967 Davis ..... A44C 11/002  
24/574.1  
4,351,166 A \* 9/1982 Belin ..... A44C 11/002  
63/15

6,981,391 B2 \* 1/2006 Suzuki ..... A44C 5/2076  
24/303

D519,051 S \* 4/2006 Higuchi ..... D11/1

D638,739 S \* 5/2011 Rockefeller ..... D11/1

D668,576 S \* 10/2012 Outland ..... D11/1

9,451,813 B1 \* 9/2016 Cipolla ..... A44C 25/00

\* cited by examiner

*Primary Examiner* — Zenia I Bennett

(74) *Attorney, Agent, or Firm* — Ira Stickler, Esq.

(57) **CLAIM**

The ornamental design for a safety clasp for a necklace, as shown and described.

**DESCRIPTION**

FIG. 1 is a perspective view of the present invention including a first part and a second part shown in a closed condition.

FIG. 2 is a top view of FIG. 1, the bottom view being a mirror image thereof.

FIG. 3 is a first side view of FIG. 1.

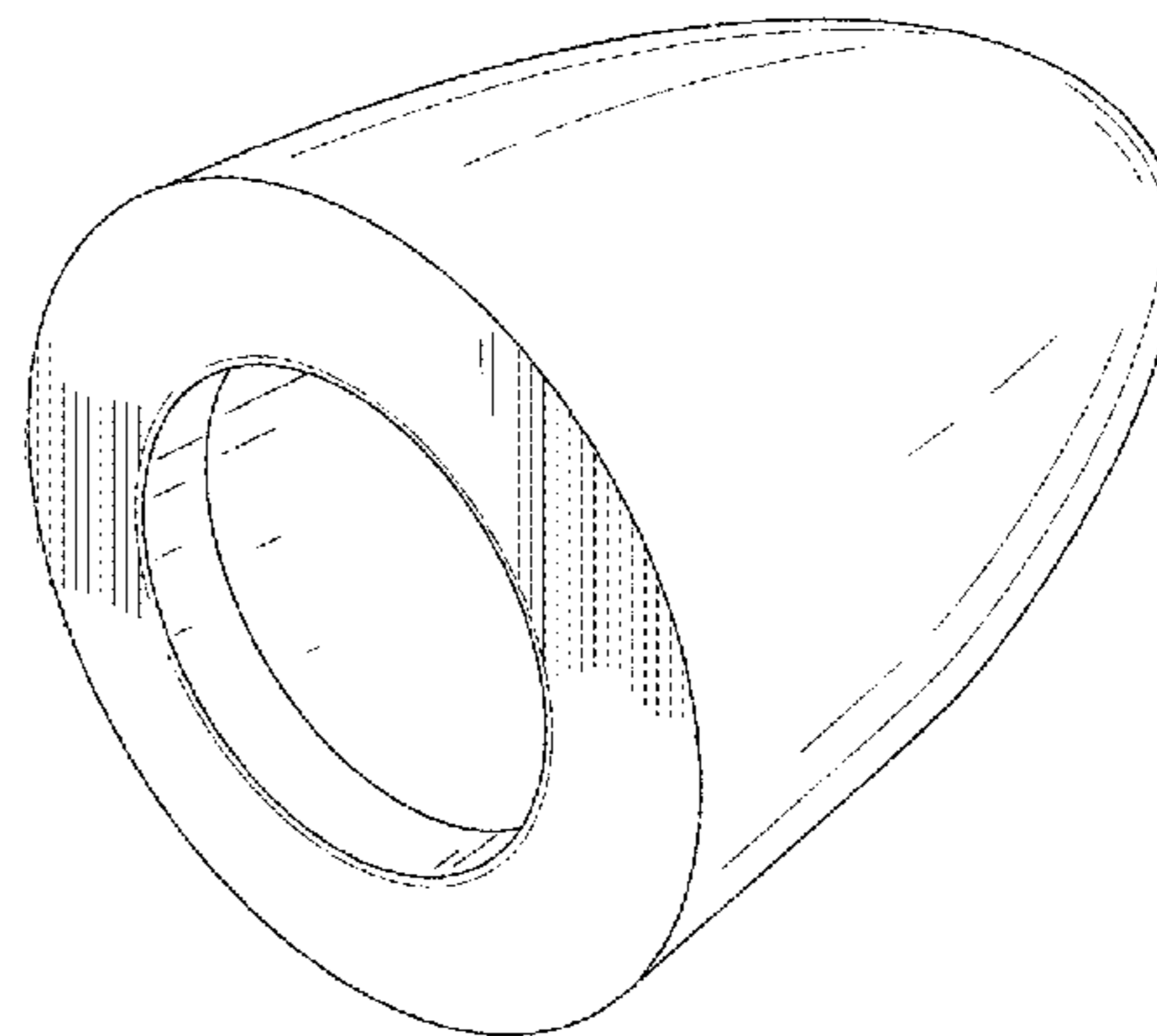
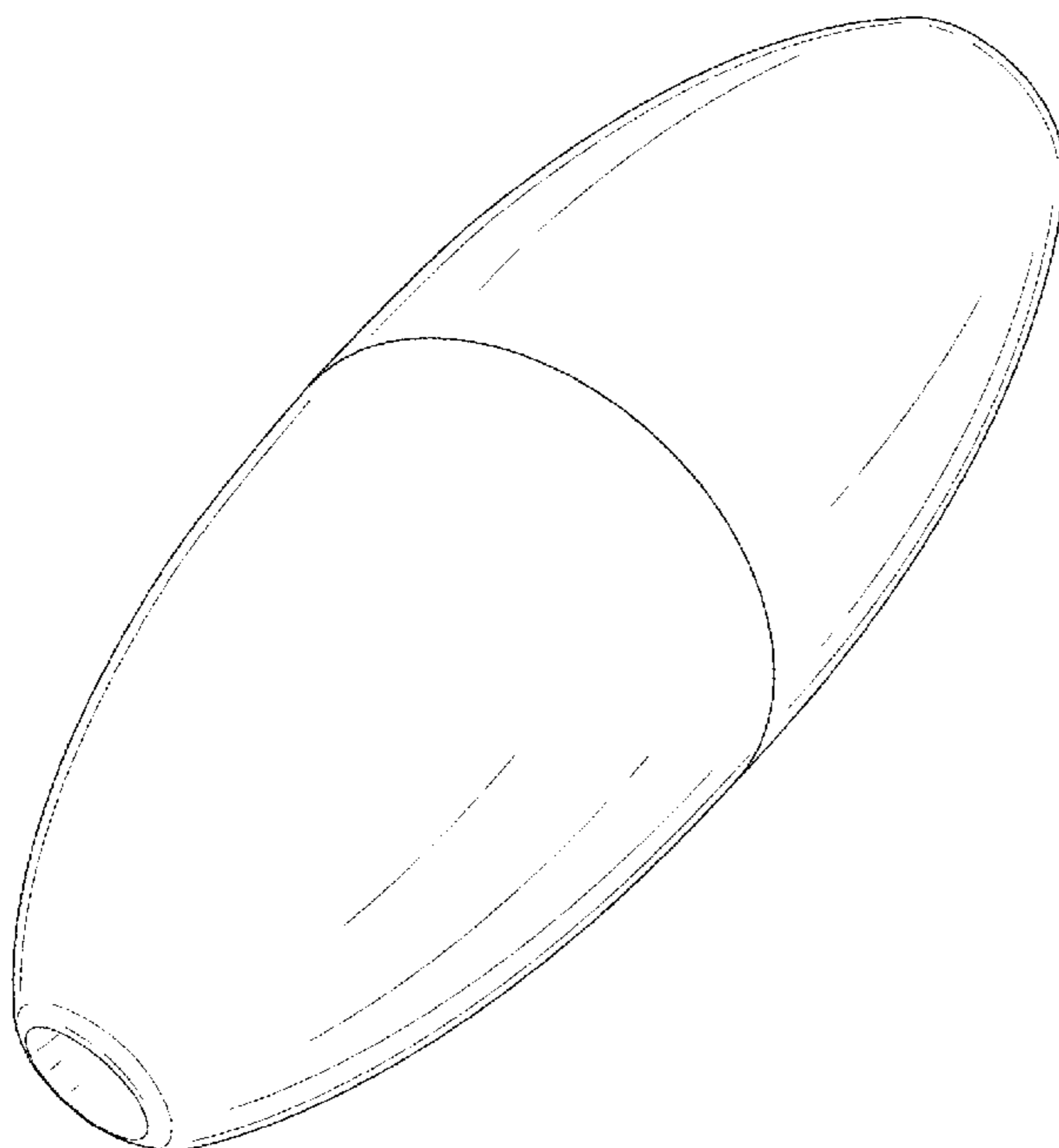
FIG. 4 is a second side view of FIG. 1.

FIG. 5 is a perspective view of the first part of FIG. 1 shown in an open condition, the second part being a mirror image thereof; and,

FIG. 6 is a top view of the first part of FIG. 1 shown in an open condition, the second part being a mirror image thereof and the bottom view being a mirror image thereof.

No claim is made to features not shown in the present drawings. Phantom and dashed lines in the views form no part of the claimed design and are provided only as illustration aids.

**1 Claim, 5 Drawing Sheets**



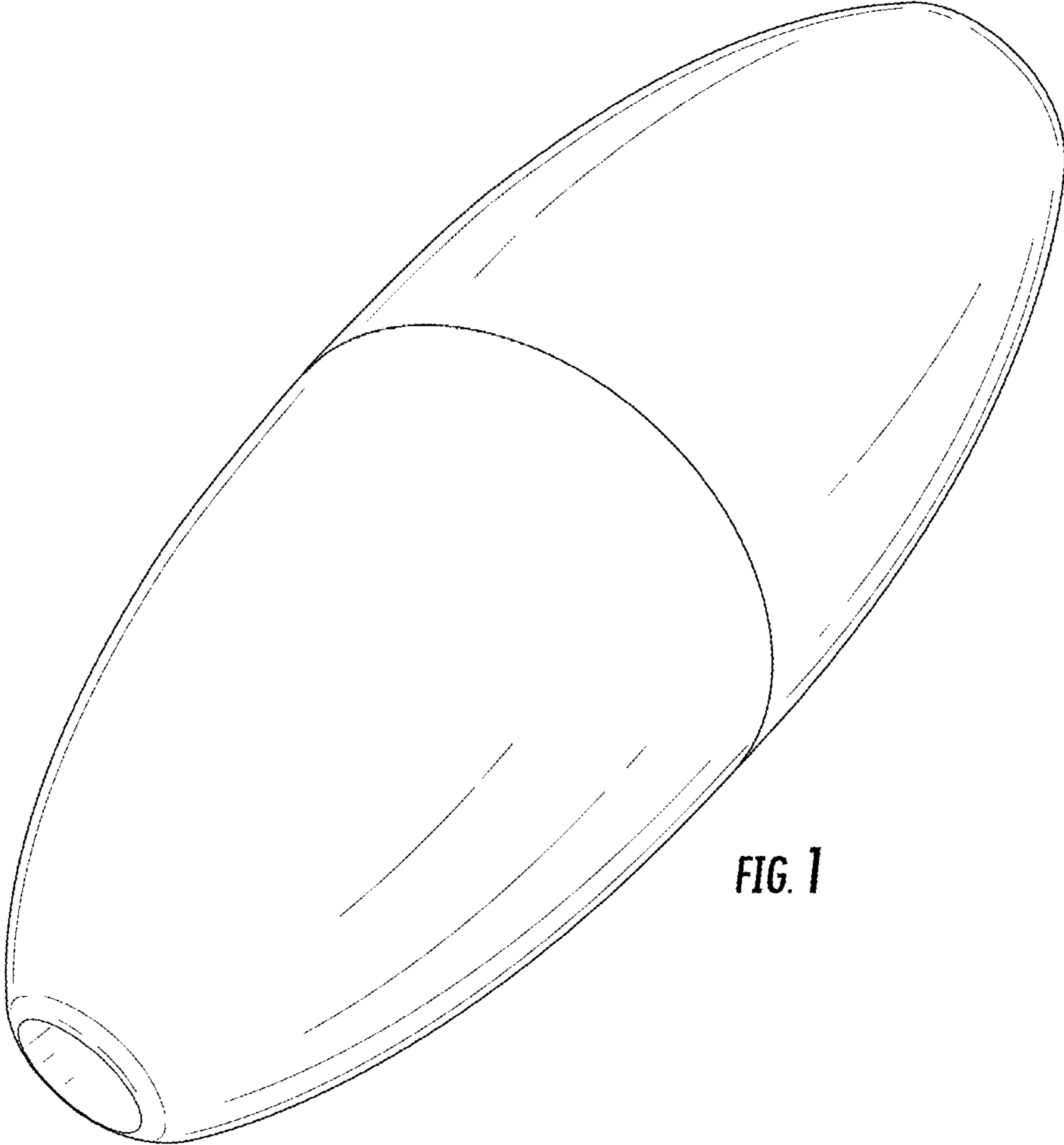


FIG. 1

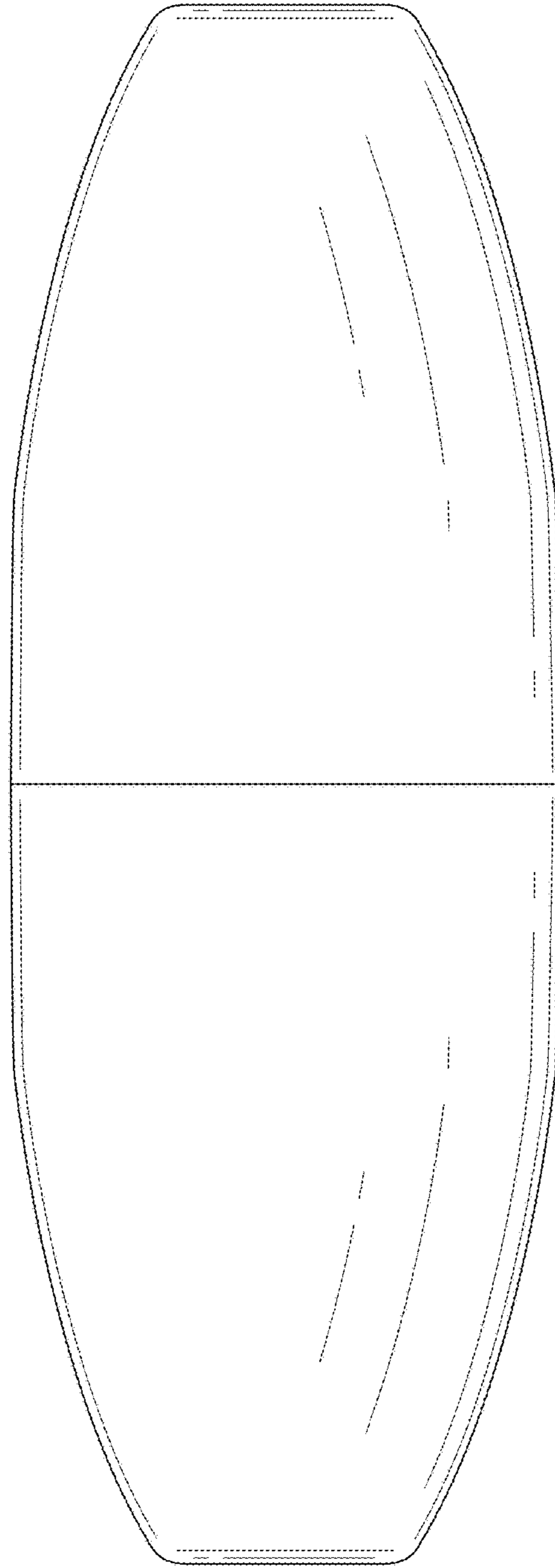


FIG. 2

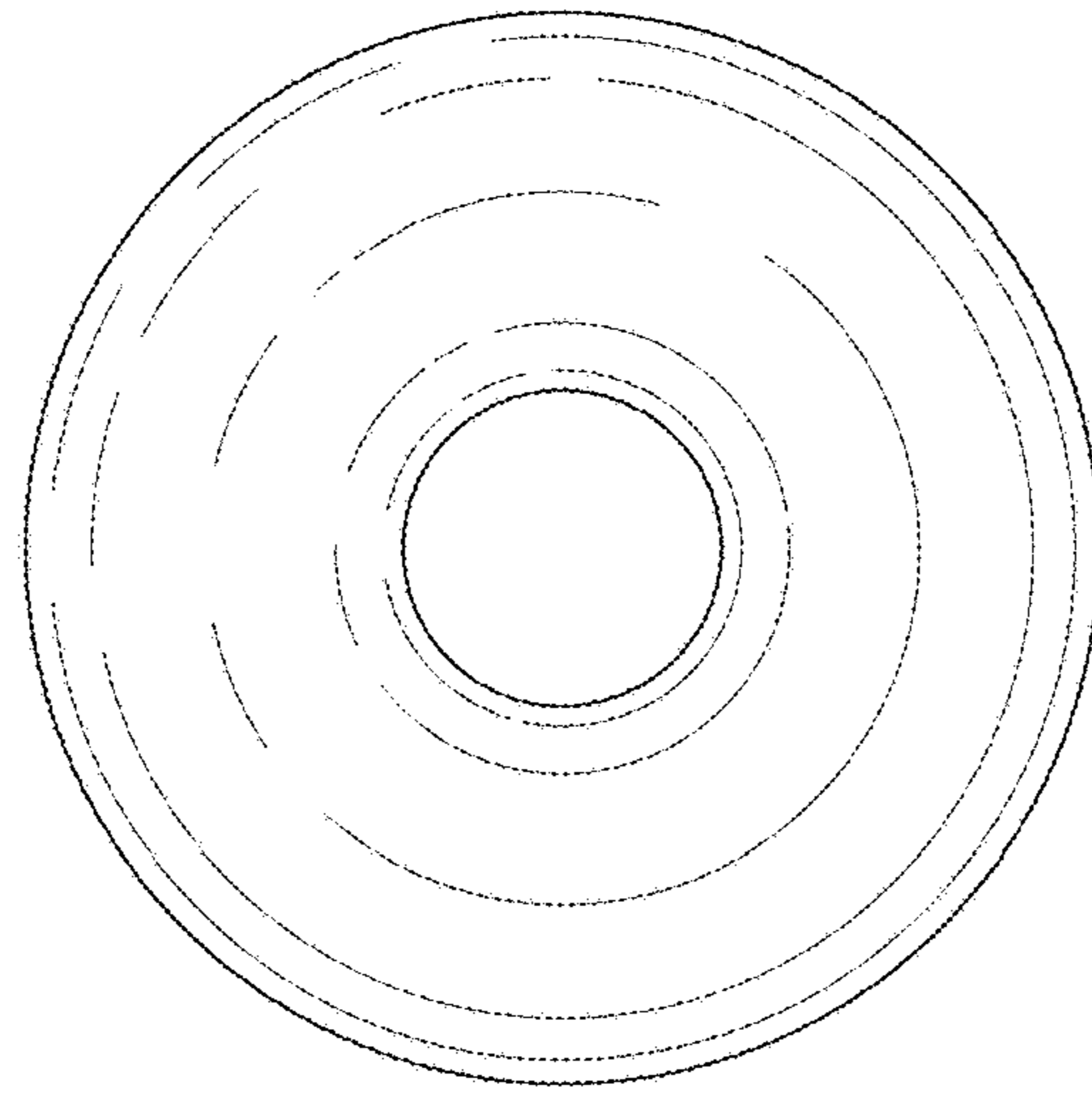


FIG. 3

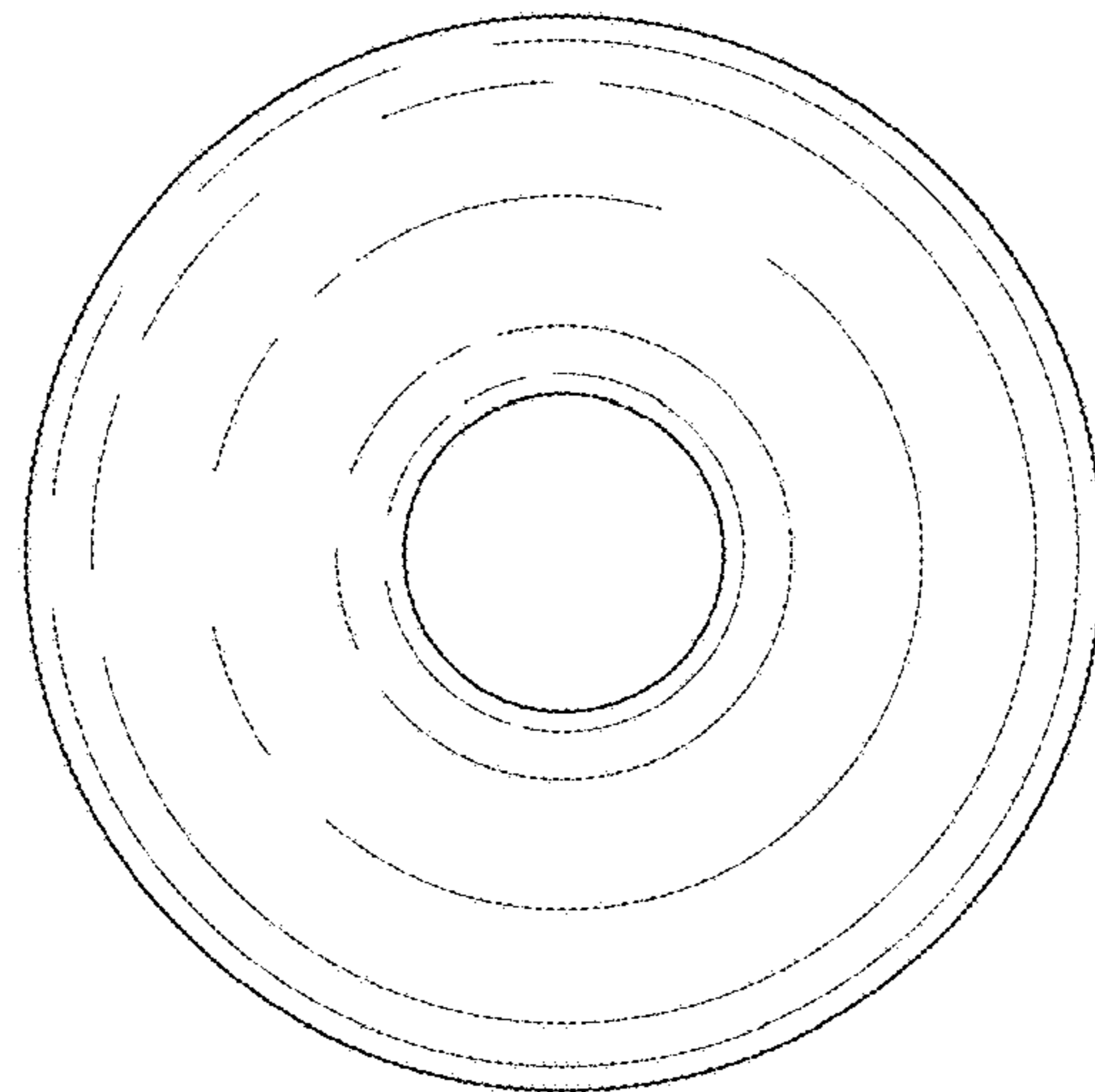


FIG. 4

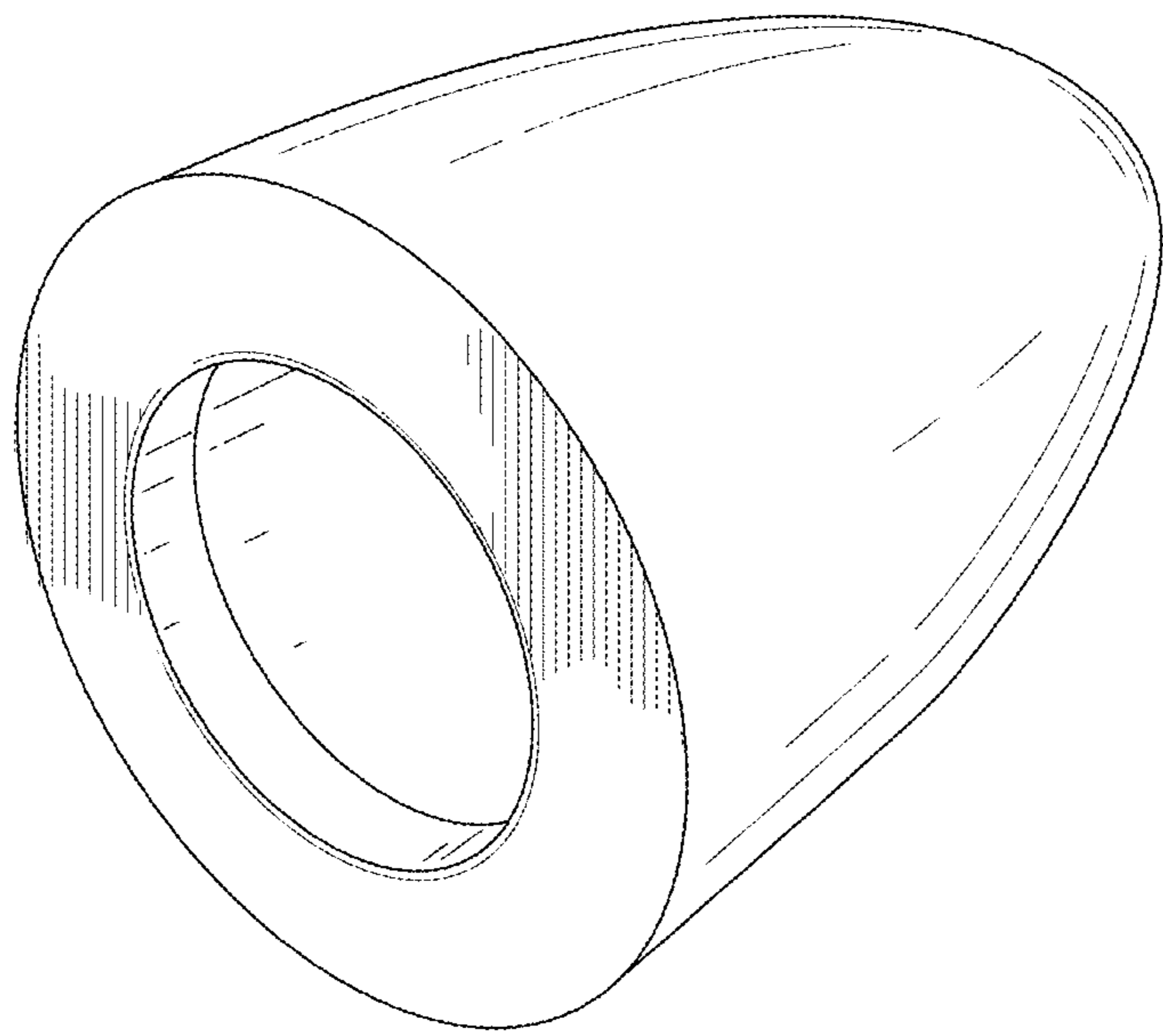


FIG. 5

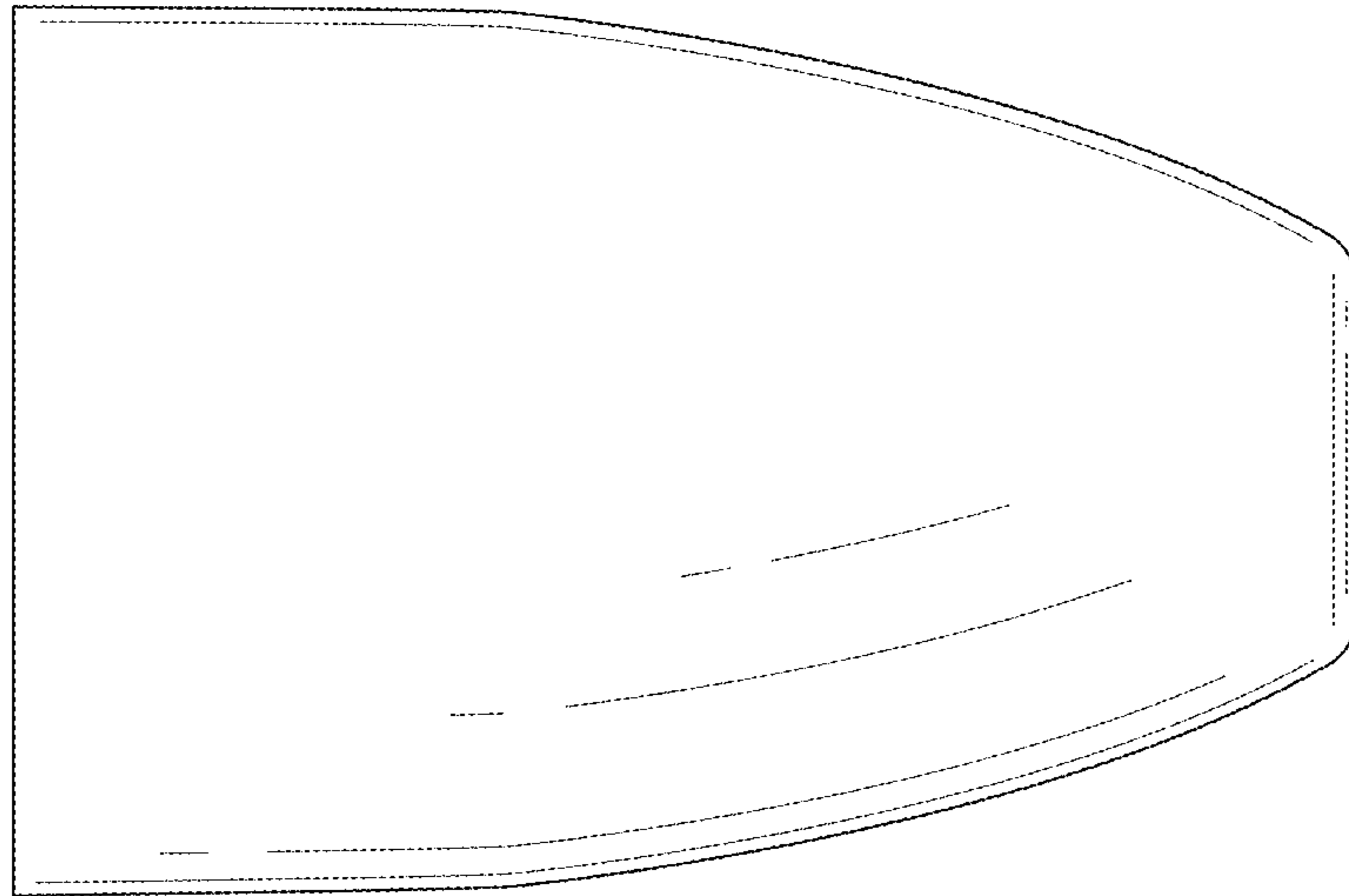


FIG. 6