



US00D850320S

(12) **United States Design Patent**
Vredenburg

(10) **Patent No.:** **US D850,320 S**

(45) **Date of Patent:** **** Jun. 4, 2019**

(54) **TRIANGULAR LOCKET CONTAINING
REMOVABLE AND FOLDABLE FLAG**

(71) Applicant: **Caryl Anne Vredenburg**, Highland,
CA (US)

(72) Inventor: **Caryl Anne Vredenburg**, Highland,
CA (US)

(**) Term: **15 Years**

(21) Appl. No.: **29/571,809**

(22) Filed: **Jul. 21, 2016**

(51) **LOC (11) Cl.** **11-01**

(52) **U.S. Cl.**
USPC **D11/81**

(58) **Field of Classification Search**
USPC D11/1, 2, 70, 79–86, 95–99, 108, 165,
D11/172, 178; D6/661.1
CPC .. A44C 1/00; A44C 3/00; A44C 3/001; A44C
3/002; A44C 3/004; A44C 3/005; A44C
3/007; A44C 3/008; A44C 25/00; A44C
25/001; A44C 25/002; A44C 25/004;
A44C 25/007; G09F 17/00; A47G 1/12
See application file for complete search history.

(56) **References Cited**

U.S. PATENT DOCUMENTS

D67,995 S *	8/1925	Bodnar	D11/108
D133,751 S *	9/1942	Sol	D11/1
D133,926 S *	9/1942	Ulmer	D11/108
D135,204 S *	3/1943	Hordes	D11/70
D135,371 S *	3/1943	Hendrix	D11/81
D142,905 S *	11/1945	Philippe	D11/70
D184,536 S *	3/1959	Rachmuth	D11/85
D255,669 S *	7/1980	Trupiano	D11/75
D294,336 S *	2/1988	le Brocquy	D11/108
4,879,145 A *	11/1989	McLellan	A47G 1/12 428/14

5,056,657 A *	10/1991	Frye	G09F 17/00 206/494
D545,241 S *	6/2007	Poteet	D11/132
D635,484 S *	4/2011	Liechtung	D11/79
D726,575 S *	4/2015	Pennington	D11/79

(Continued)

OTHER PUBLICATIONS

[Online] "Folded Flat Ornament 24k Gold" <https://shop.taps.org/products/folded-flag-ornament-24k-gold>. Retrieved Feb. 26, 2019.*
(Continued)

Primary Examiner — Melanie Pellegrini
(74) *Attorney, Agent, or Firm* — Kenneth Avila

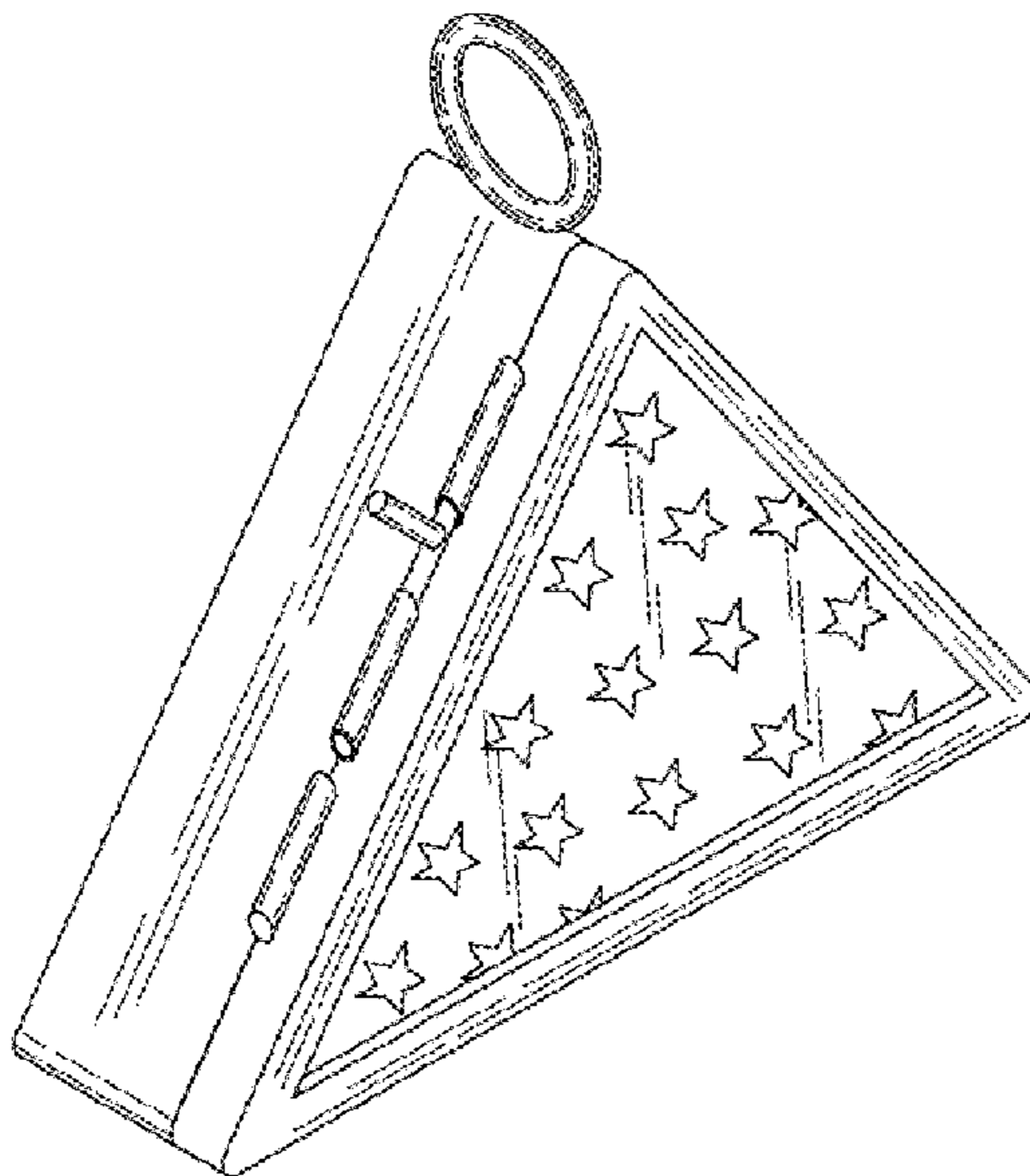
(57) **CLAIM**

I claim the ornamental design for a triangular locket containing a removable and foldable flag, as shown and described.

DESCRIPTION

FIG. 1 is a perspective view of the locket in its preferred embodiment shown opened to allow for removal of the flag present within the body whereby the body and cover are hinged together along the side of the locket. As to the body; all sides are identical and its back is flat and unornamented. FIG. 2 is a perspective view of the locket in its preferred embodiment shown closed. FIG. 3 is a perspective view of a second embodiment of the locket shown pulled-apart rather than hinged whereby the body and cover are fitted together by friction means. As to the body; all sides are identical and its back is flat and unornamented; and, FIG. 4 is a perspective view of a third embodiment of the locket shown opened to allow for removal of the flag present within whereby the body and cover are hinged together along the bottom of the locket. As to the body; all sides are identical and its back is flat and unornamented.

1 Claim, 4 Drawing Sheets



(56)

References Cited

U.S. PATENT DOCUMENTS

D733,468 S * 7/2015 Marco D6/661.1
D747,235 S * 1/2016 Vaughan D11/108
2011/0083348 A1* 4/2011 Brouwer A41D 27/08
40/1.6

OTHER PUBLICATIONS

[Online] "Women's Stainless Steel Folded Flag Necklace—John 15:13" <https://www.shieldsofstrength.com/womens-stainless-steel-folded-flag-necklace-john-15-13/>. Retrieved Feb. 26, 2019.*

* cited by examiner

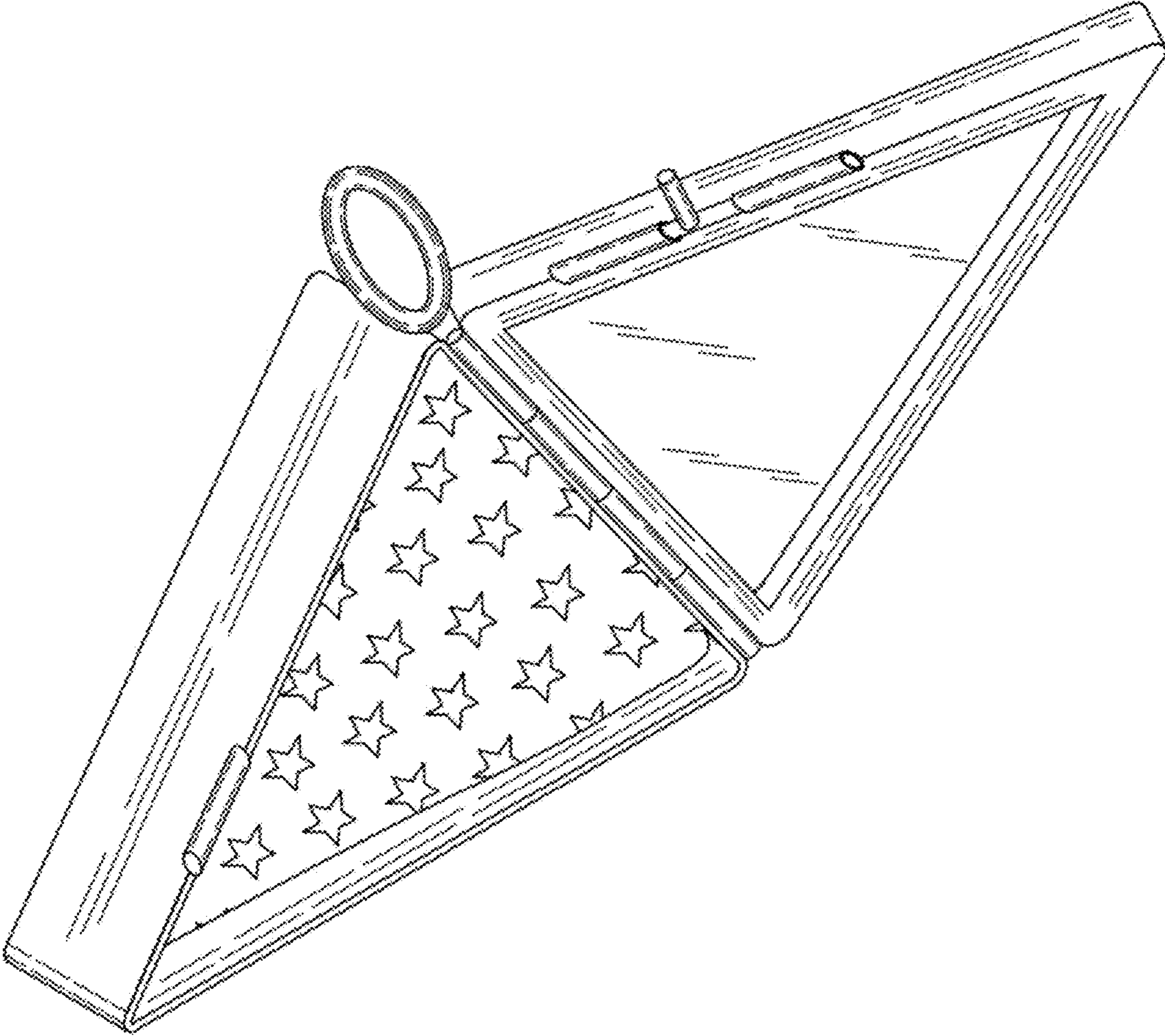


FIG. 1

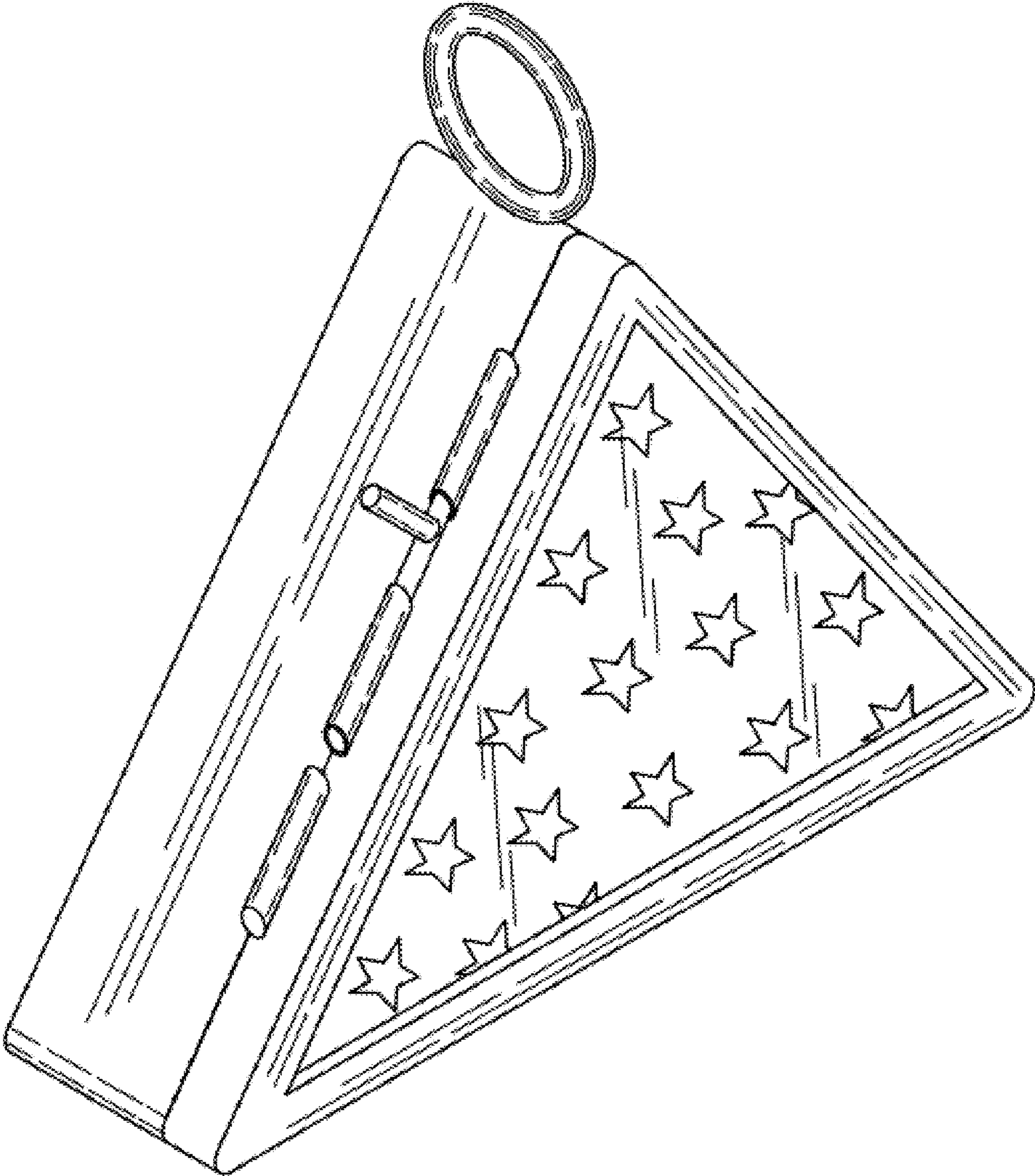


FIG. 2

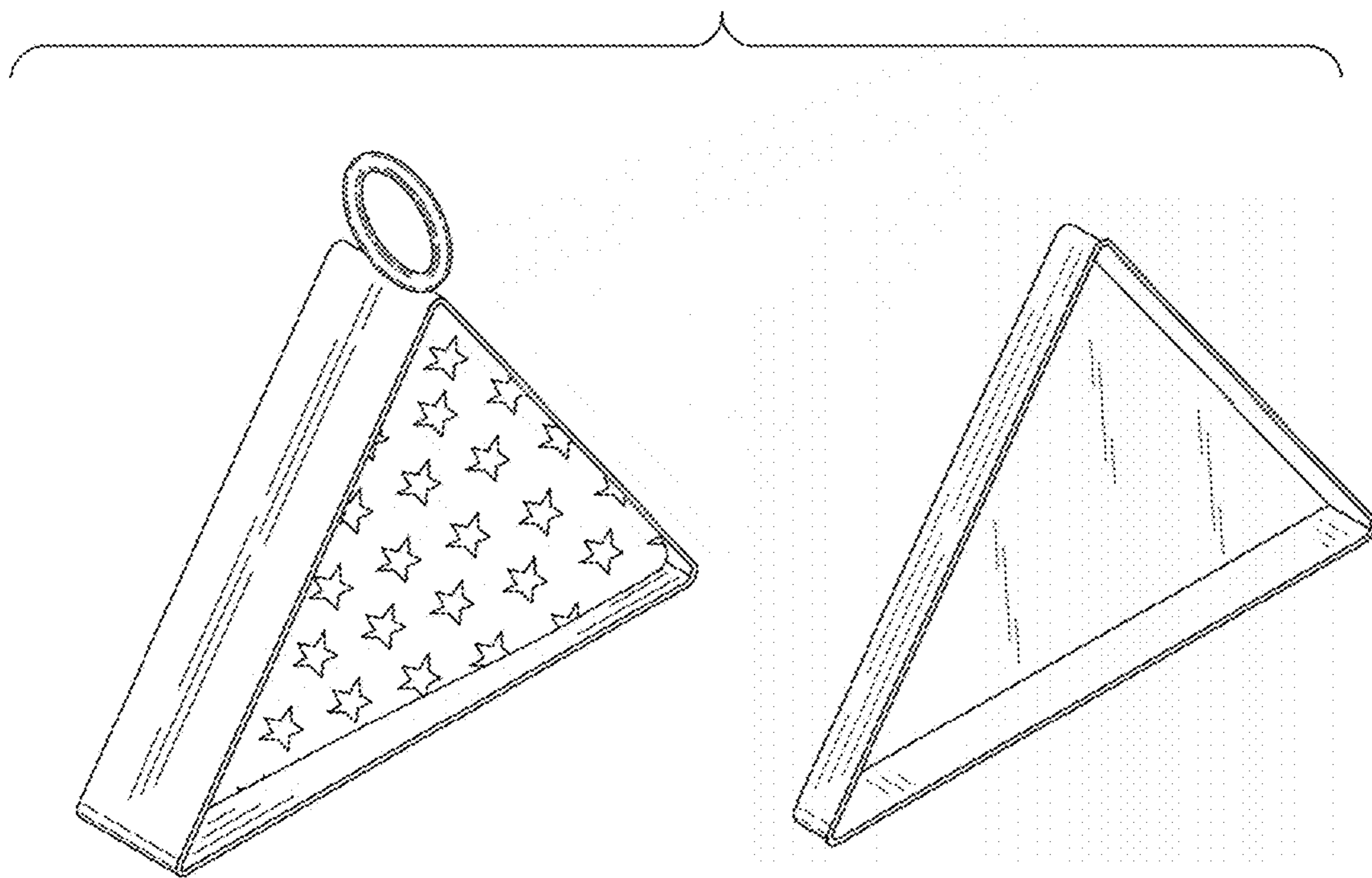


FIG. 3

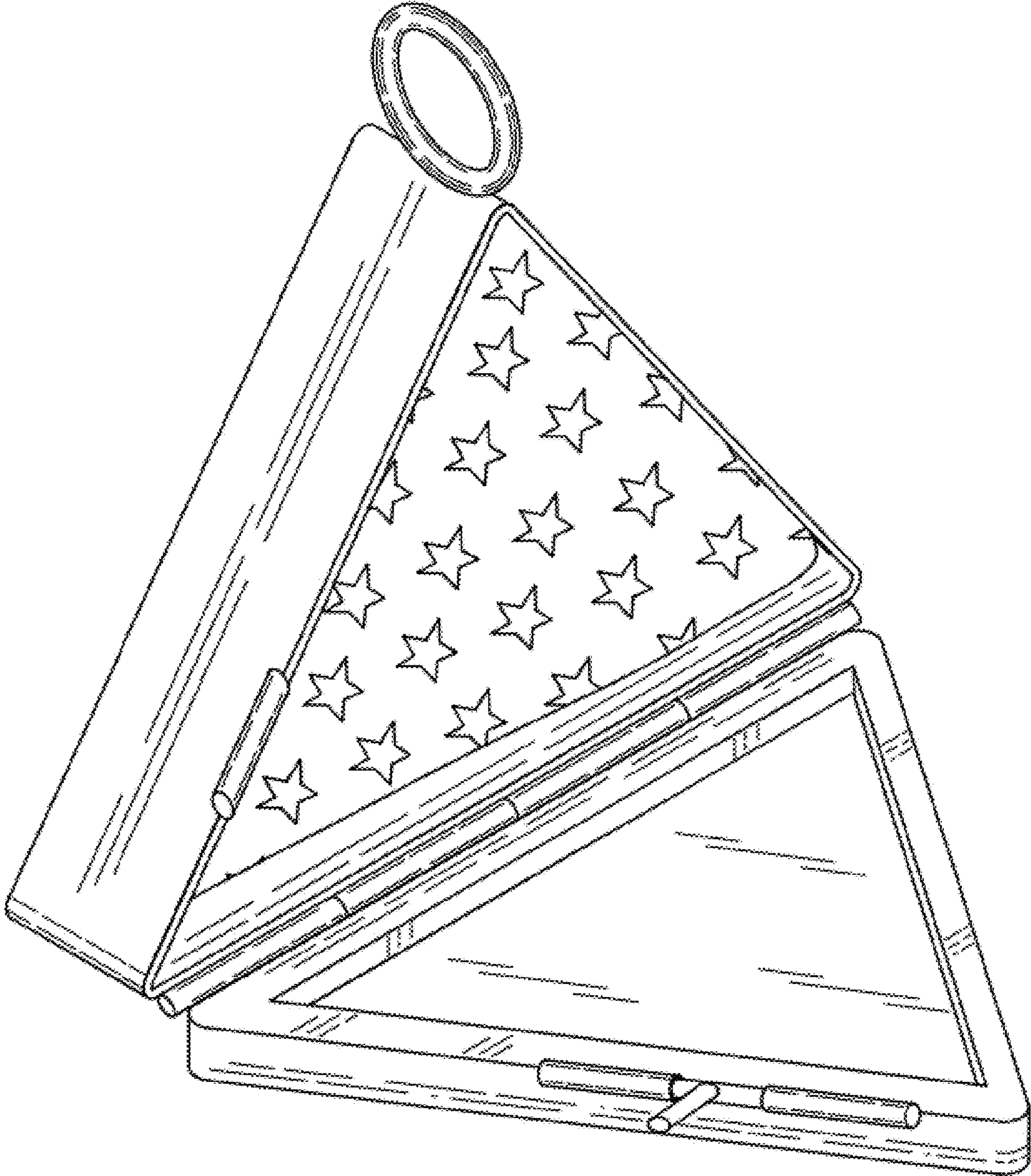


FIG. 4