



US00D850317S

(12) **United States Design Patent**
Hinds et al.

(10) **Patent No.:** **US D850,317 S**
(45) **Date of Patent:** **** Jun. 4, 2019**

(54) **WRIST STRAP**

(71) Applicant: **accesso Technology Group Plc**,
Twyford, Berkshire (GB)
(72) Inventors: **Sebastian Hinds**, Salisbury (GB); **Carl
Clement**, Norwich (GB); **Daniel
Coveney**, Cambridge (GB)
(73) Assignee: **accesso Technology Group Plc**,
Twyford (GB)

D589,375 S * 3/2009 Tang D10/32
D637,094 S * 5/2011 Cobbett D10/32
D637,918 S * 5/2011 Cobbett D10/31
D638,736 S * 5/2011 Cobbett D11/3
D720,074 S * 12/2014 Suvilaakso D24/167
D721,978 S * 2/2015 Tovar D10/31
D726,056 S * 4/2015 Riddiford D11/3
D738,772 S * 9/2015 Choi D11/3
D752,579 S * 3/2016 Lee D14/344
D756,832 S * 5/2016 Riddiford D11/3
D762,210 S * 7/2016 Lee D14/344
D767,769 S * 9/2016 Suvilaakso D24/186

(Continued)

(**) Term: **15 Years**

(21) Appl. No.: **29/617,364**

(22) Filed: **Sep. 13, 2017**

(30) **Foreign Application Priority Data**

Aug. 10, 2017 (EP) 004141604

(51) **LOC (11) Cl.** **11-01**

(52) **U.S. Cl.**
USPC **D11/3**

(58) **Field of Classification Search**
USPC D10/31, 32, 38, 39, 46, 70; D11/1–25,
D11/86, 87; D14/344
CPC A44C 5/12; A44C 5/14; A44C 5/18; A44C
5/0053; A44C 5/0069; A44C 5/0076;
A44C 5/00; A44C 5/0007; A44C 5/0015;
A44C 5/0023; A44C 5/003; A44C
5/0061; A44C 5/147; A44C 5/185; A44C
5/2047; A44C 5/2052; G04B 37/00;
G04B 37/1486; A44B 11/006; A44B
11/24; A61B 5/681

See application file for complete search history.

(56) **References Cited**

U.S. PATENT DOCUMENTS

6,101,842 A * 8/2000 Delacretaz A44C 5/107
24/265 B
D545,220 S * 6/2007 Leung D10/31

OTHER PUBLICATIONS

accesso Unveils Prism—Next Gen Virtual Queuing Wearable Device,
Nov. 15, 2016 (accessed Sep. 13, 2017).

(Continued)

Primary Examiner — Kevin K Rudzinski

Assistant Examiner — Richard Kearney

(74) *Attorney, Agent, or Firm* — Koffsky Schwalb LLC;
Mark I. Koffsky

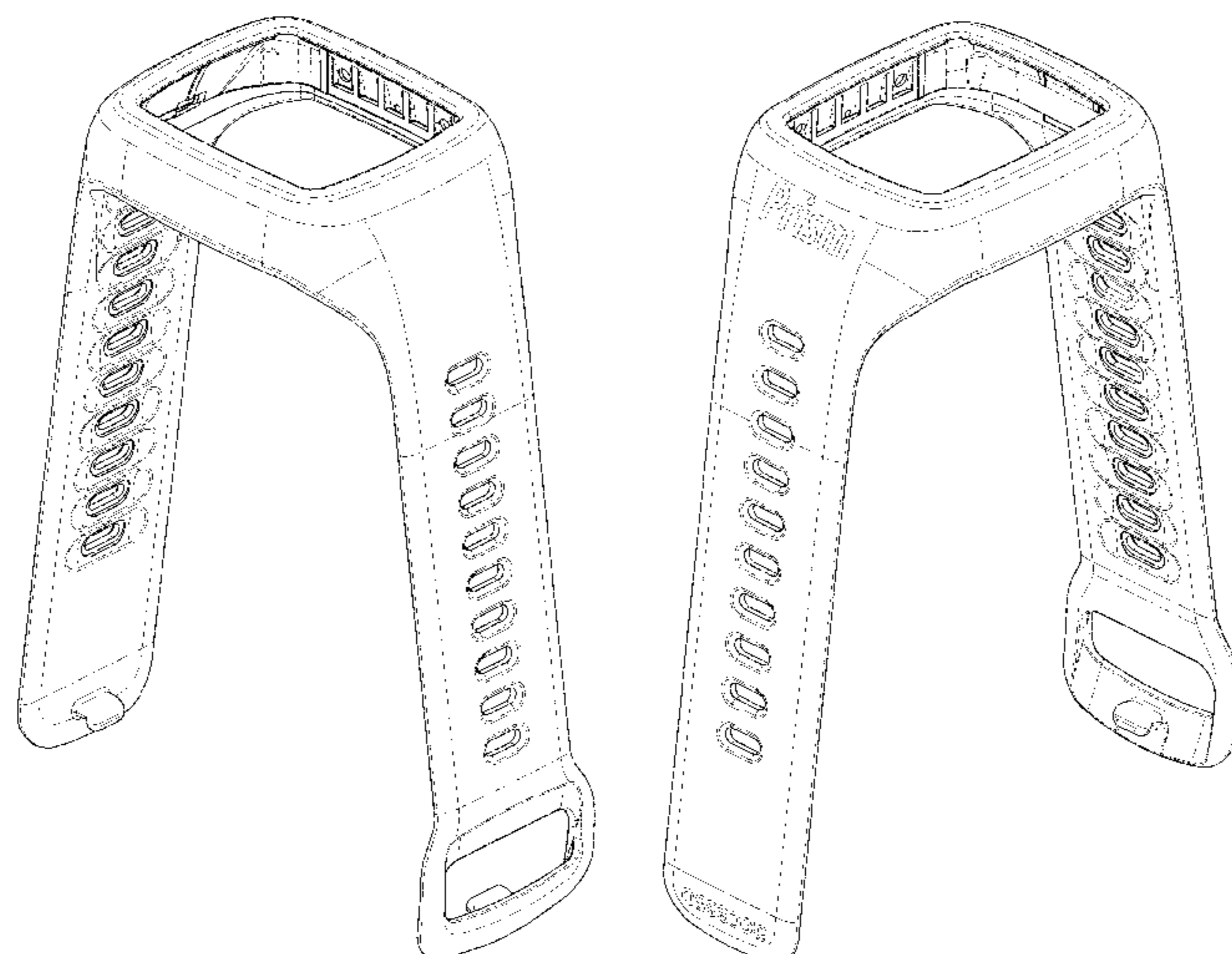
(57) **CLAIM**

We claim the ornamental design for a wrist strap, as shown
and described.

DESCRIPTION

FIG. 1 is a rear perspective view of a wrist strap in
accordance with the present invention;
FIG. 2 is a front perspective thereof;
FIG. 3 is a top view thereof;
FIG. 4 is a bottom view thereof;
FIG. 5 is a left view thereof;
FIG. 6 is a right view thereof;
FIG. 7 is a front view thereof; and,
FIG. 8 is a rear view thereof.
The broken lines shown in the drawings illustrate portions of
the wrist strap that form no part of the claimed design.

1 Claim, 8 Drawing Sheets



(56)

References Cited

U.S. PATENT DOCUMENTS

D768,528 S * 10/2016 Jung D11/3
 D768,529 S * 10/2016 Jung D11/3
 D768,858 S * 10/2016 Komulainen D24/167
 D793,269 S * 8/2017 Magniez D11/3
 D809,144 S * 1/2018 Wu D24/167
 9,888,816 B1 * 2/2018 Shaukat A47K 5/1201
 D812,608 S * 3/2018 Jones D14/344
 D822,836 S * 7/2018 Wu D24/186
 D827,640 S * 9/2018 Andersson D14/344
 D833,625 S * 11/2018 Guan D24/186
 D837,206 S * 1/2019 Guan D14/344
 2013/0152276 A1 * 6/2013 Hsieh G04G 17/08
 2/243.1
 2013/0219960 A1 * 8/2013 Gerard-Goddet A44C 5/0053
 63/3.2
 2014/0083133 A1 * 3/2014 Lee A44C 5/14
 63/3.1
 2014/0208546 A1 * 7/2014 Lee A44B 11/24
 24/3.2

2014/0221854 A1 * 8/2014 Wai A61B 5/02444
 600/508
 2014/0268522 A1 * 9/2014 Tanaka A61B 5/681
 361/679.01
 2015/0063075 A1 * 3/2015 Baek G04G 17/04
 368/10
 2016/0022213 A1 * 1/2016 Lee A61B 5/6838
 600/301
 2016/0026156 A1 * 1/2016 Jackson G04G 9/007
 368/14
 2016/0091921 A1 * 3/2016 Lee G06F 1/163
 250/372
 2017/0188668 A1 * 7/2017 Watterson A44C 5/0015
 2018/0132738 A1 * 5/2018 Choi H01M 2/1066

OTHER PUBLICATIONS

Technical Details for Volcano Bay's TapuTapu Wearable Revealed,
 Feb. 28, 2017 (accessed Sep. 13, 2017).

* cited by examiner

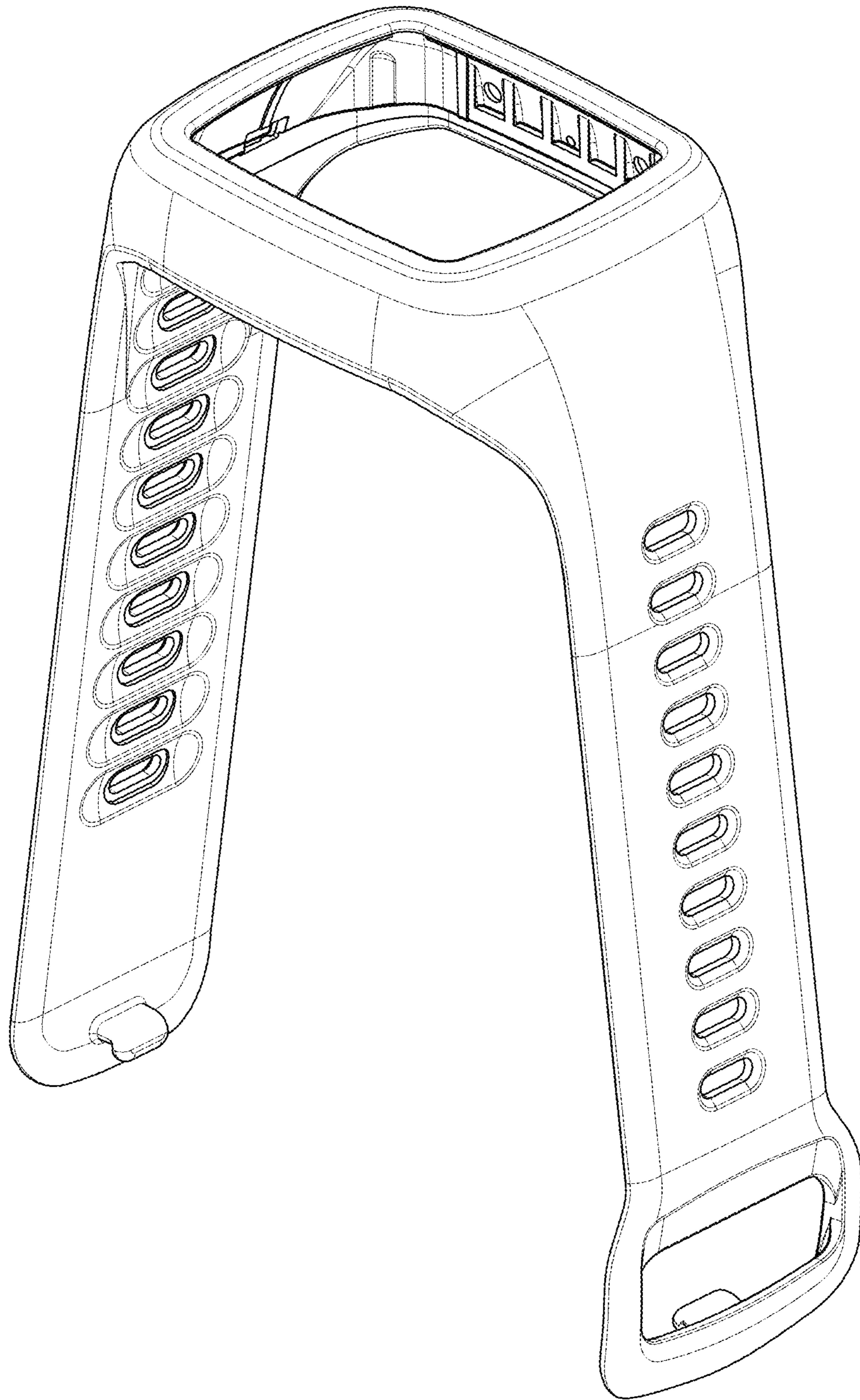


FIG. 1

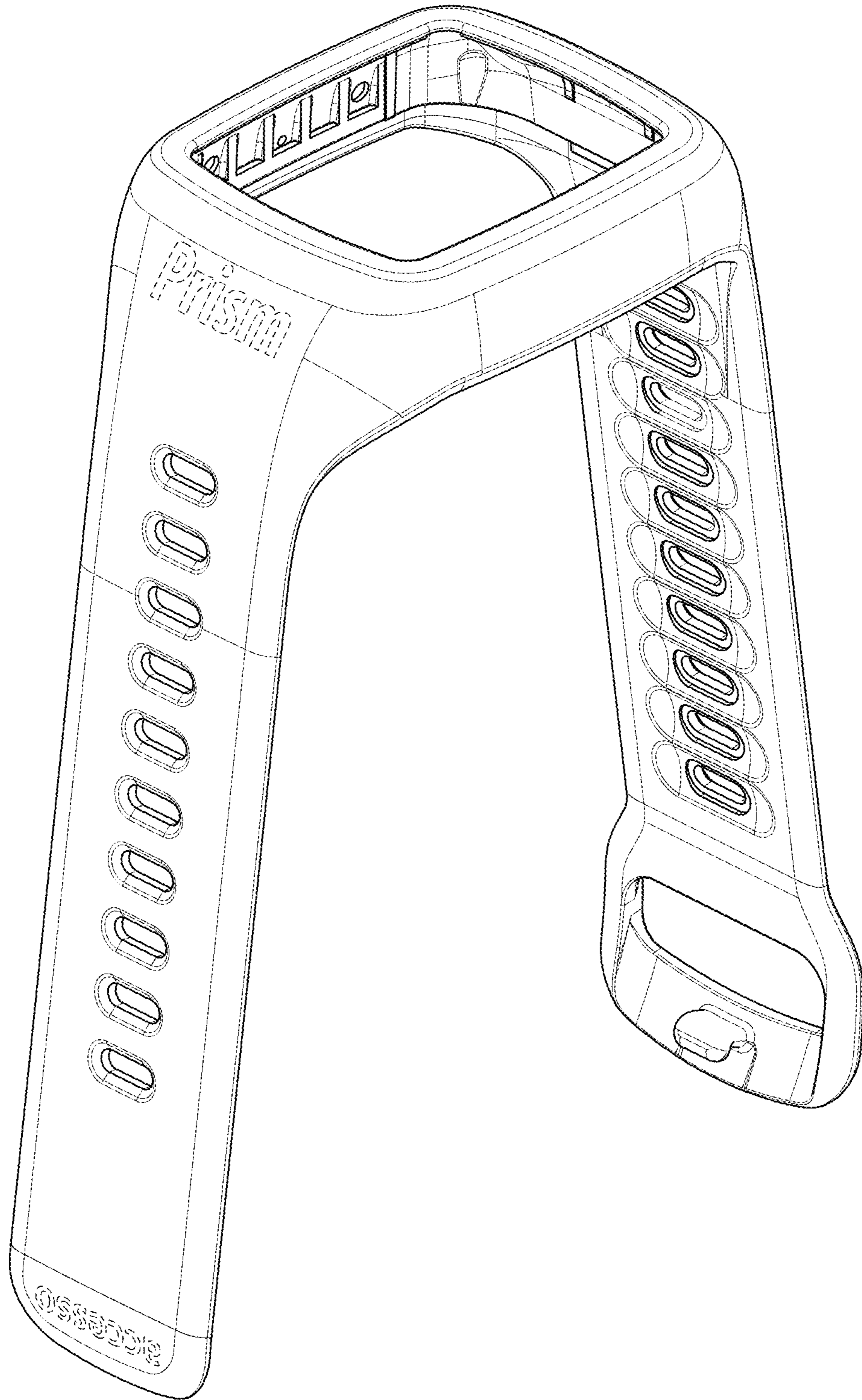


FIG. 2

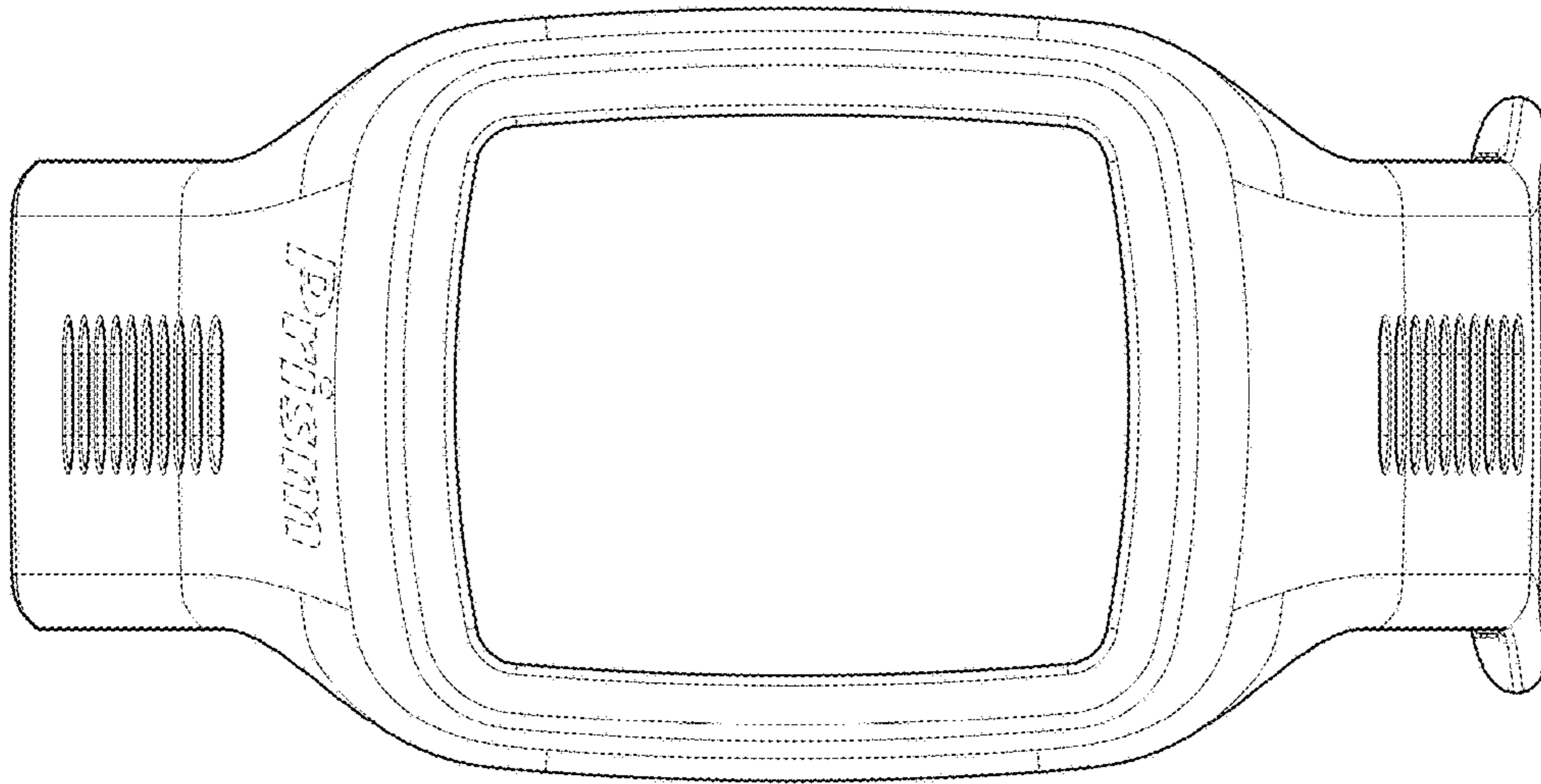


FIG. 3

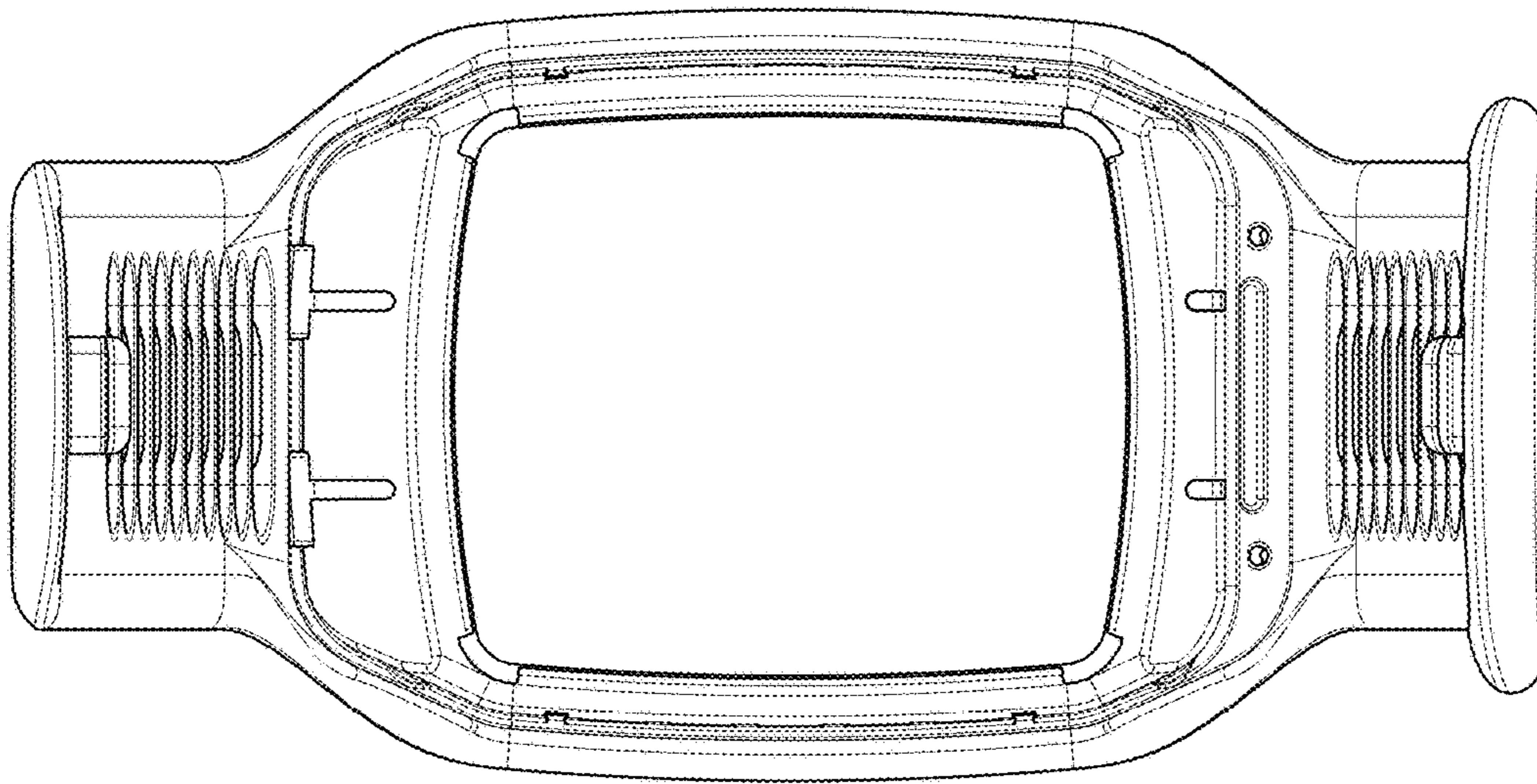


FIG. 4

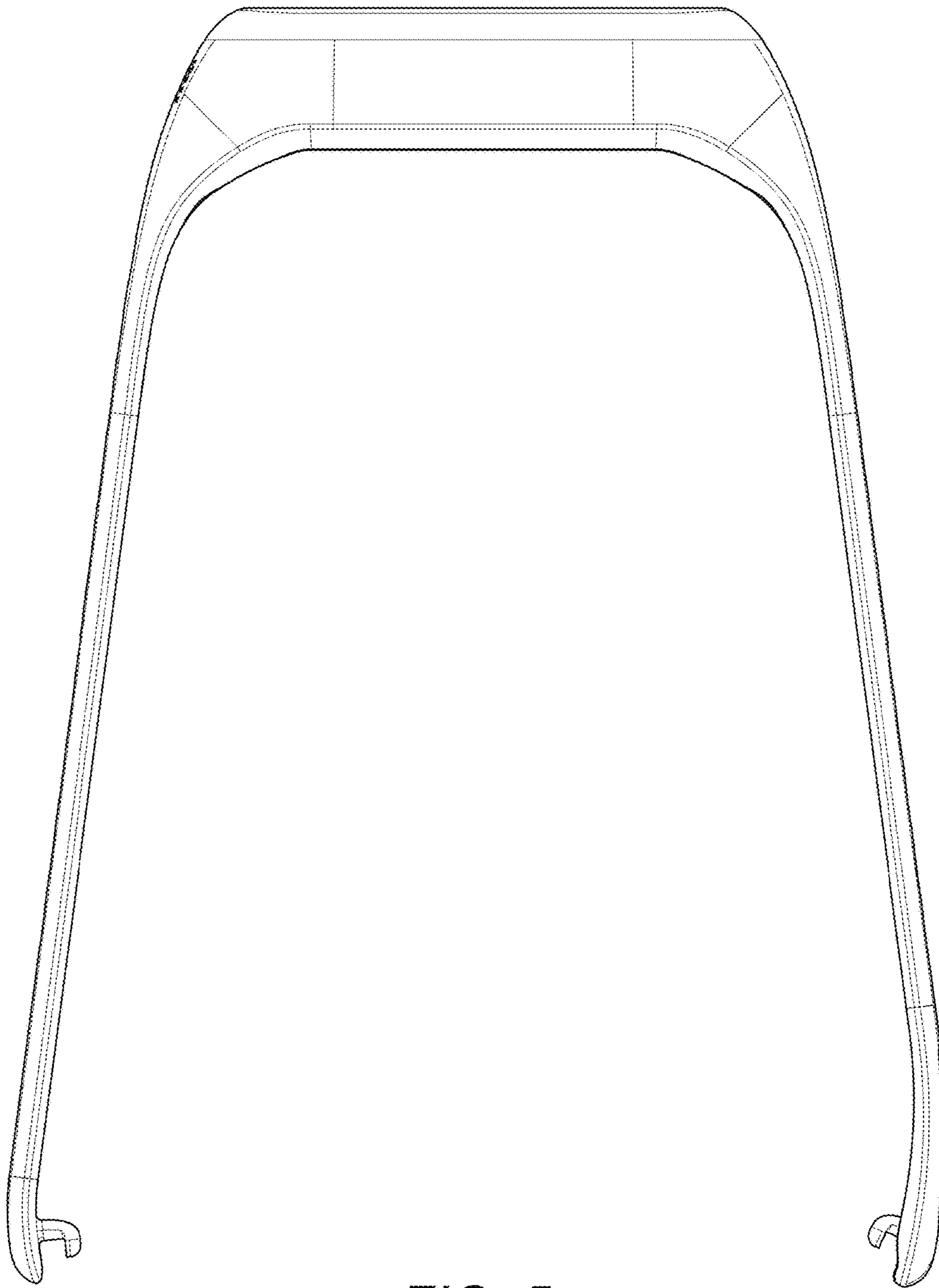


FIG. 5

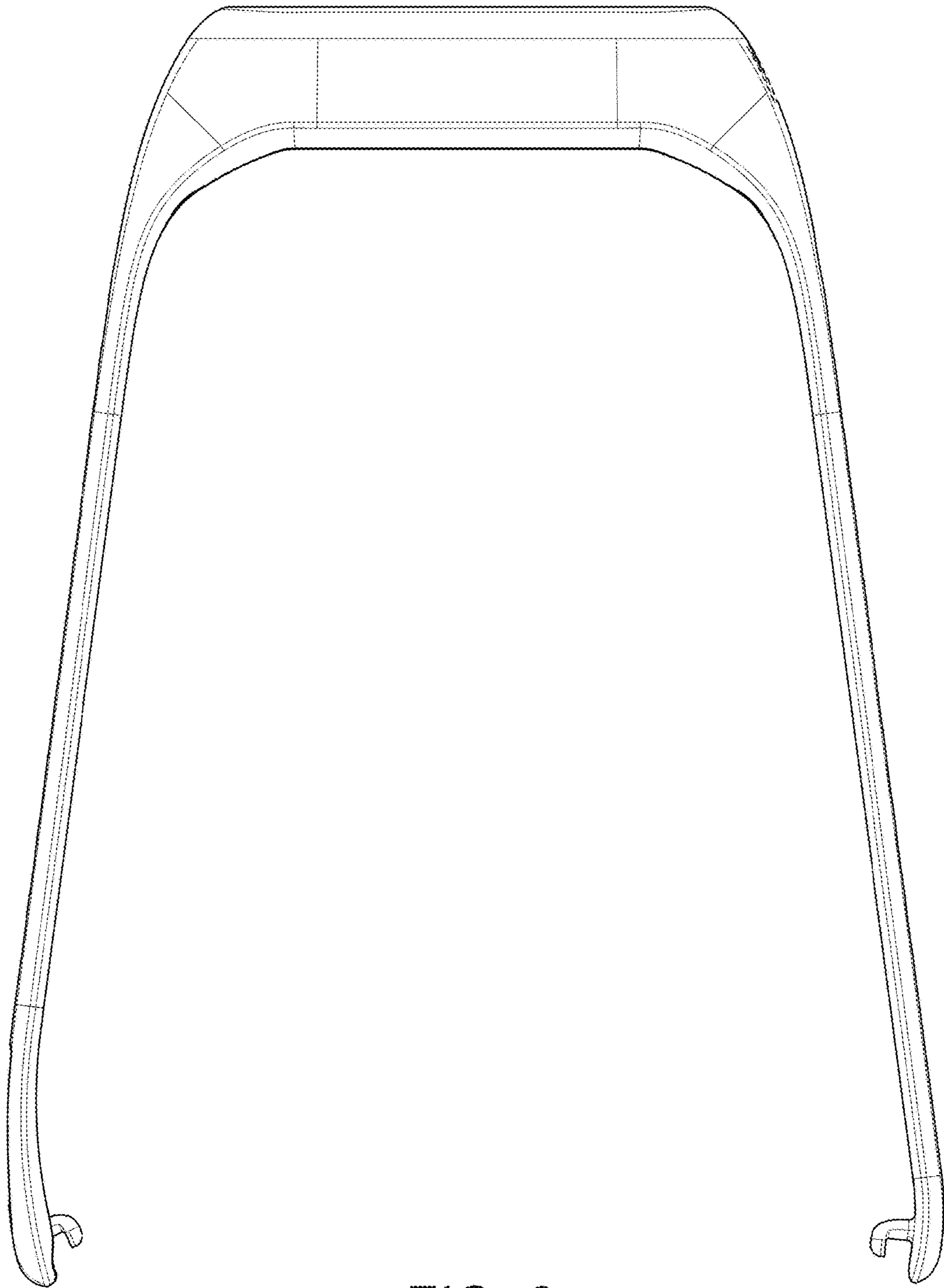


FIG. 6

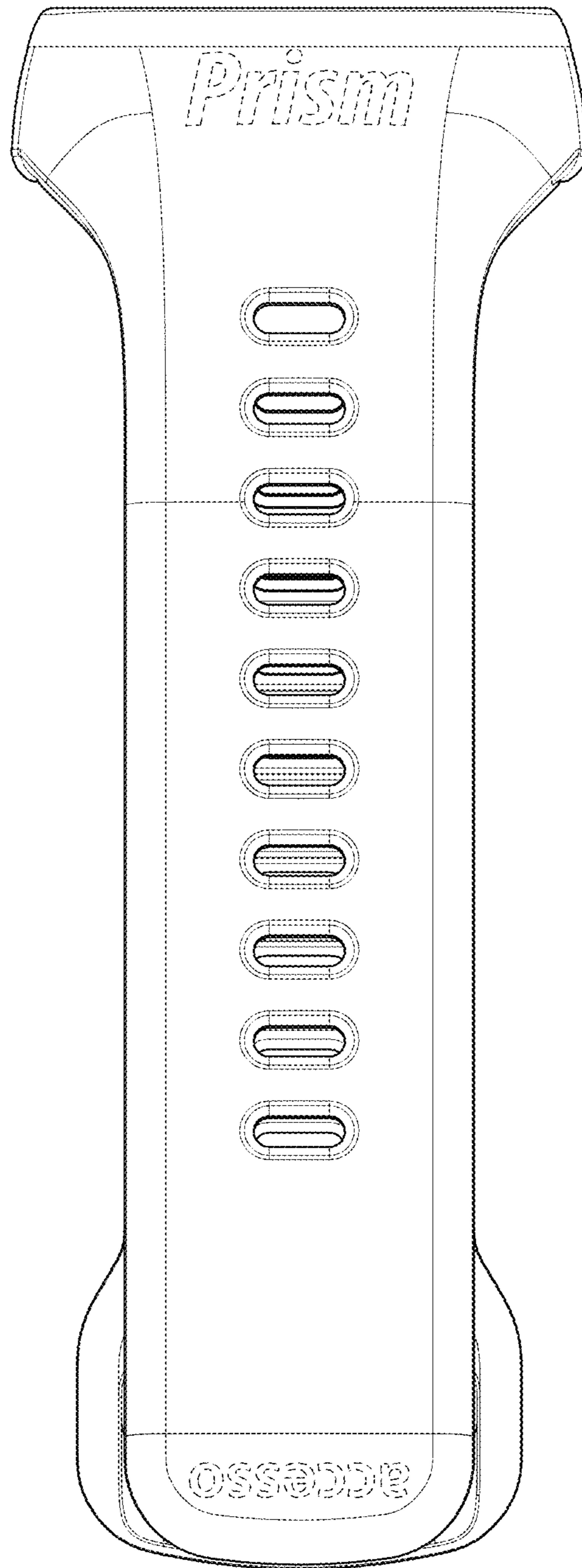


FIG. 7

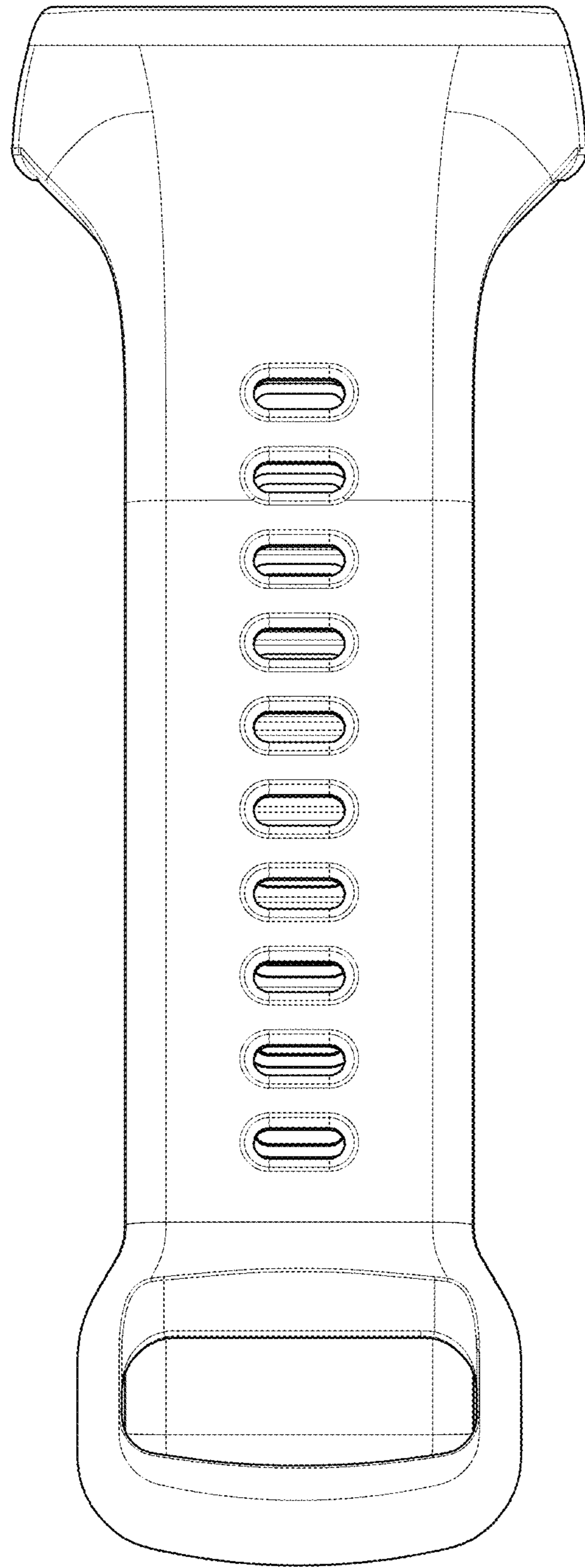


FIG. 8