



US00D850316S

(12) **United States Design Patent**
Ennis et al.

(10) **Patent No.:** **US D850,316 S**
(45) **Date of Patent:** **** Jun. 4, 2019**

- (54) **VIR BAND**
- (71) Applicant: **Precision Dynamics Corporation**,
Valencia, CA (US)
- (72) Inventors: **Ronald G. Ennis**, Los Angeles, CA
(US); **Jonathan F. Trachtman**,
Tujunga, CA (US)
- (73) Assignee: **Precision Dynamics Corporation**,
Valencia, CA (US)
- (**) Term: **15 Years**
- (21) Appl. No.: **29/604,939**
- (22) Filed: **May 22, 2017**
- (51) **LOC (11) Cl.** **11-01**
- (52) **U.S. Cl.**
USPC **D11/3**
- (58) **Field of Classification Search**
USPC D10/31, 32, 38, 39, 46, 70; D11/1-25,
D11/86, 87; D14/344
CPC A44C 5/12; A44C 5/14; A44C 5/18; A44C
5/0053; A44C 5/0069; A44C 5/0076;
A44C 5/00; A44C 5/0007; A44C 5/0015;
A44C 5/0023; A44C 5/003; A44C
5/0061; A44C 5/147; A44C 5/185; A44C
5/2047; A44C 5/2052; G04B 37/00;
G04B 37/1486; A44B 11/006; A44B
11/24; A61B 5/681
See application file for complete search history.

(56) **References Cited**

U.S. PATENT DOCUMENTS

- D255,668 S * 7/1980 Sidders D11/4
- 4,226,036 A * 10/1980 Krug G09F 3/005
24/16 PB
- D349,864 S * 8/1994 Dunlap D10/32

- 6,092,321 A * 7/2000 Cheng G09F 3/005
40/633
- 6,766,039 B1 * 7/2004 Al-Sheikh A45C 13/42
382/115
- D519,871 S 5/2006 Curtis et al.
(Continued)

OTHER PUBLICATIONS

Wristband to Aid Infant Immunizations (available online Oct. 11, 2017) Retrieved from the internet Sep. 11, 2018 from URL: <https://blog.pdhealthcare.com/articles/patient-safety/pdc-healthcare-designs-wristband-aid-infant-immunizations/>.*

(Continued)

Primary Examiner — Kevin K Rudzinski
Assistant Examiner — Richard Kearney
(74) *Attorney, Agent, or Firm* — Quarles & Brady LLP

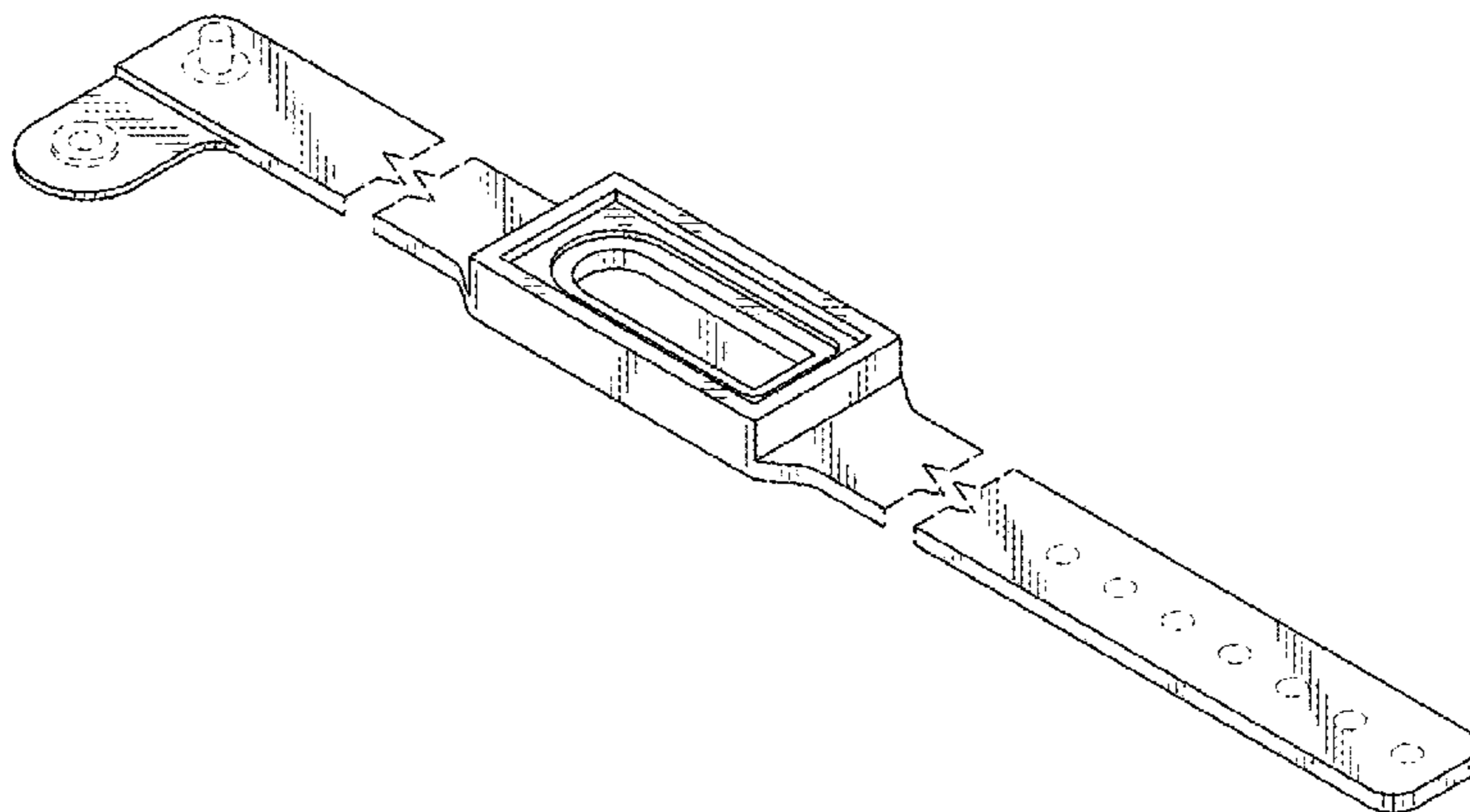
(57) **CLAIM**

The ornamental design for a VIR band, as shown and described.

DESCRIPTION

FIG. 1 is a top, front, and left perspective view of a VIR band according to the present design; FIG. 2 is a left elevational view of the VIR band of FIG. 1; FIG. 3 is a top plan view of the VIR band of FIG. 1; FIG. 4 is a rear elevational view of the VIR band of FIG. 1; FIG. 5 is a front elevational view of the VIR band of FIG. 1; FIG. 6 is a right elevational side view of the VIR band of FIG. 1; FIG. 7 is a bottom plan view of the VIR band of FIG. 1; and, FIG. 8 is cross-sectional left side view of the VIR band of FIG. 1 taken through line 8-8 of FIG. 3. The broken lines shown in the drawings illustrate portions of the VIR Band that form no part of the claimed design. The VIR Band is shown with symbolic break lines in its length. The appearance of any portion of the article between the break lines forms no part of the claimed design.

1 Claim, 3 Drawing Sheets



(56)

References Cited

U.S. PATENT DOCUMENTS

D652,756 S * 1/2012 Lans D11/3
 D656,856 S * 4/2012 Kleinberg D11/3
 D663,229 S 7/2012 Waltersdorf
 D663,353 S 7/2012 Waltersdorf
 D703,085 S 4/2014 Waltersdorf
 D707,689 S 6/2014 Billington
 D729,652 S * 5/2015 Nuovo D10/32
 D729,682 S 5/2015 Daniel
 D752,469 S 3/2016 Rastrick
 9,392,946 B1 * 7/2016 Sarantos A61B 5/14552
 D762,375 S * 8/2016 Duarte D11/5
 D797,727 S * 9/2017 Sandock D14/344
 D797,728 S * 9/2017 Sandock D14/344
 D807,877 S * 1/2018 Iwamatsu D14/344
 D823,710 S * 7/2018 Schone D11/86
 2006/0230661 A1 * 10/2006 Bekker G09F 3/005
 40/633
 2010/0043266 A1 * 2/2010 Pedicano G06K 19/07749
 40/633

2010/0238033 A1 * 9/2010 Blumel A61B 5/1112
 340/573.4
 2013/0074544 A1 * 3/2013 Lans G09F 3/005
 63/1.13
 2015/0186092 A1 * 7/2015 Francis G06F 3/1423
 345/520
 2017/0014035 A1 * 1/2017 Newberry A61B 5/02055
 2017/0224236 A1 * 8/2017 Ho A61B 5/0404
 2018/0116591 A1 * 5/2018 Hensley A61B 5/6802

OTHER PUBLICATIONS

V08 Medical ID Bracelets Watch (available online) Retrieved from the internet Sep. 12, 2018 from URL: <http://www.globalsources.com/gsol/1/Medical-ID/p/sm/1157512807.htm#1157512807>.
 RFID Healthcare Solutions: RFID Bracelets and Labels—PDC; <http://www.pdchealthcare.com/products/rfid.html>; 3 pages; printed Sep. 25, 2017.

* cited by examiner

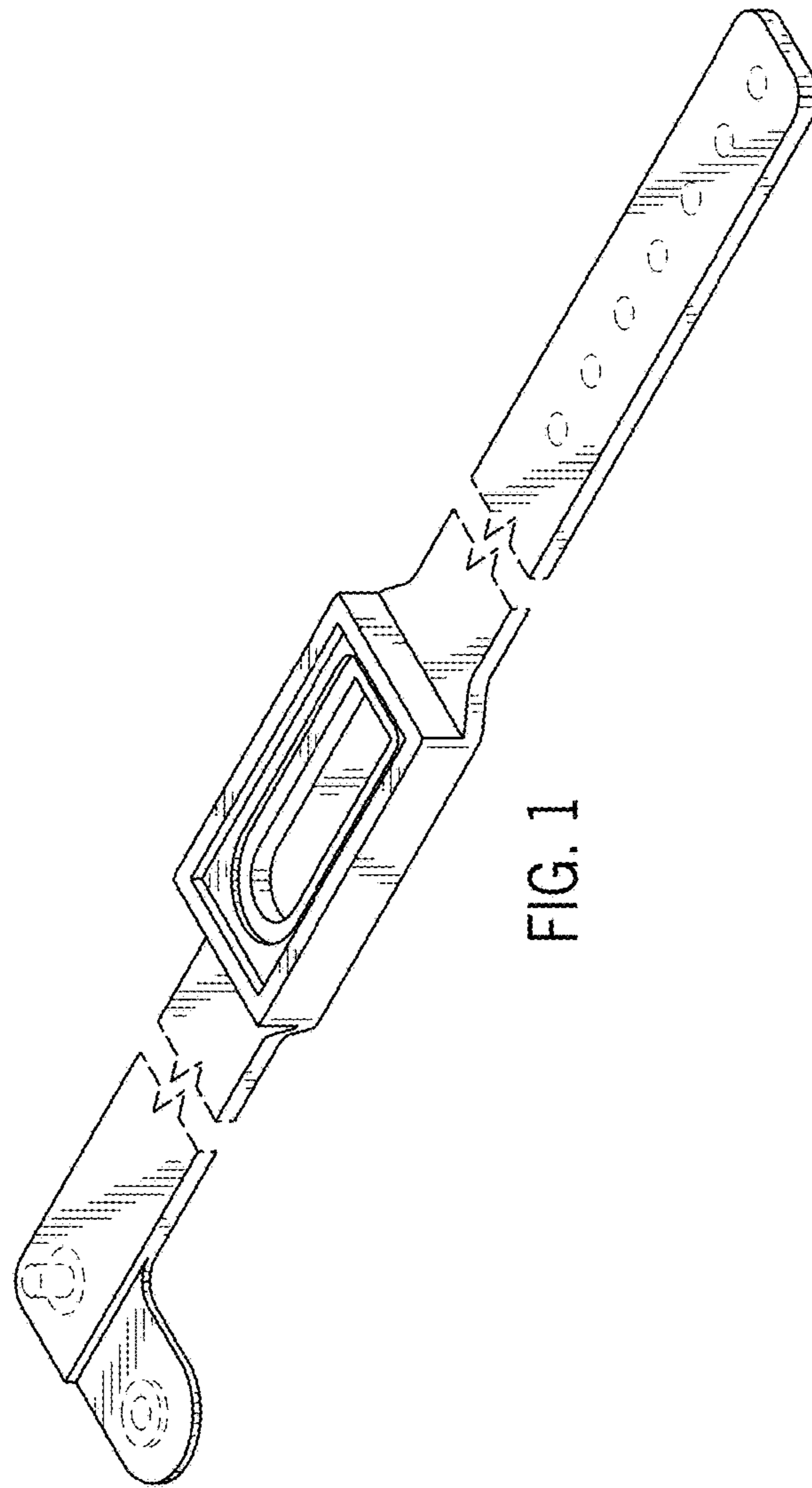


FIG. 1

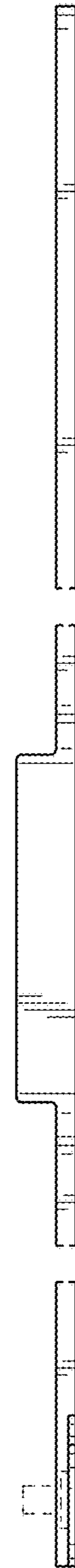


FIG. 2

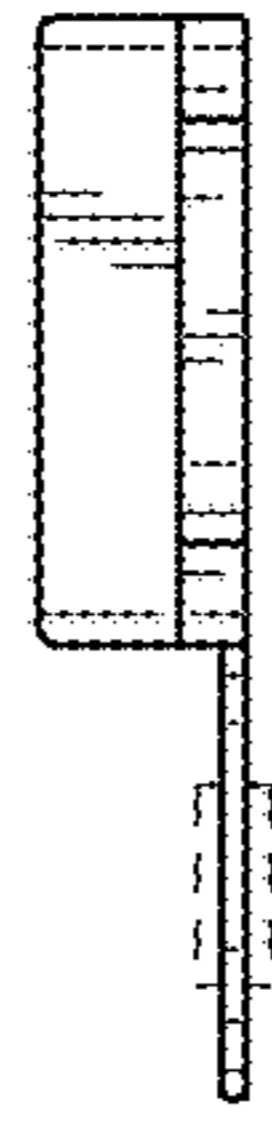
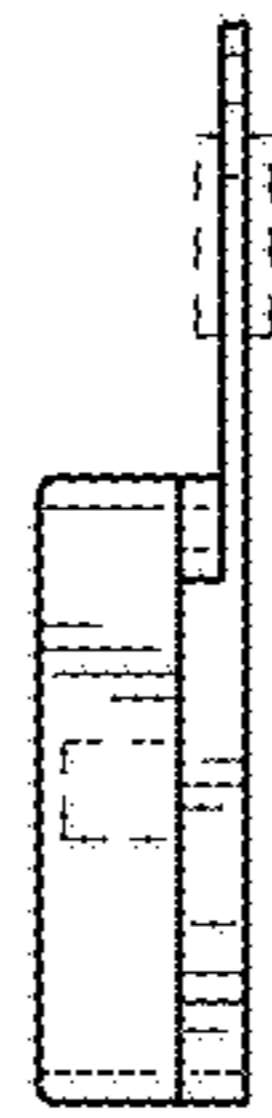
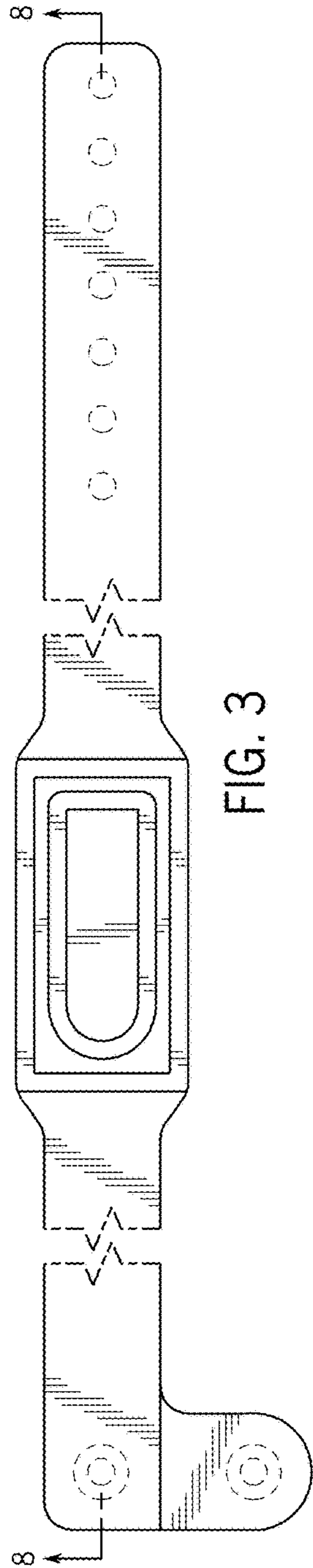


FIG. 4

FIG. 5



FIG. 6

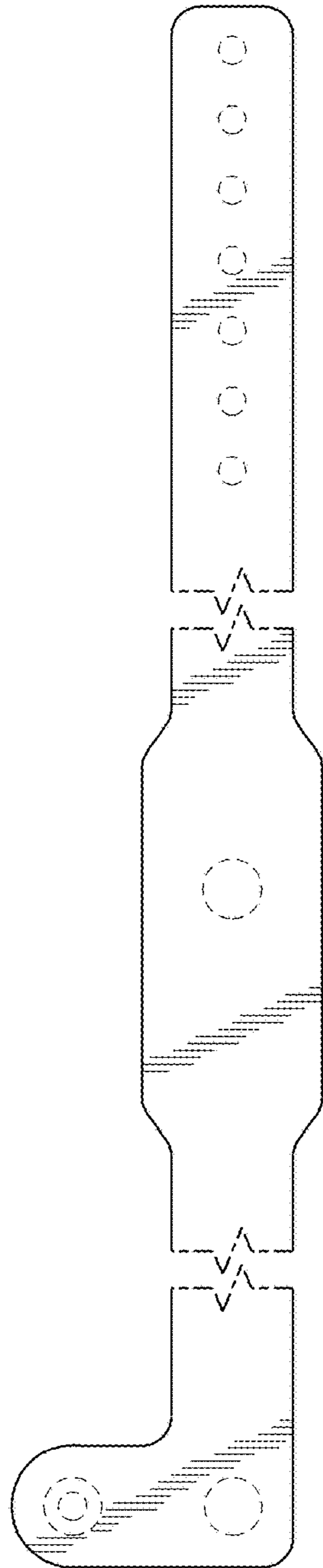


FIG. 7



FIG. 8