



US00D850314S

(12) **United States Design Patent** (10) **Patent No.:** **US D850,314 S**
Laurans et al. (45) **Date of Patent:** **** Jun. 4, 2019**

- (54) **DOORBELL**
- (71) Applicant: **SimpliSafe, Inc.**, Boston, MA (US)
- (72) Inventors: **Chad Laurans**, Brookline, MA (US); **Adam Pineau**, Haverhill, MA (US); **Yong Zhao**, Medford, MA (US); **Ian Schon**, Brookline, MA (US); **Andrea Pavan**, Venice (IT); **Christopher Wright**, Somerville, MA (US); **Dirk Ahlgrim**, Boston, MA (US)
- (73) Assignee: **SimpliSafe, Inc.**, Boston, MA (US)
- (**) Term: **15 Years**
- (21) Appl. No.: **29/624,216**
- (22) Filed: **Oct. 31, 2017**
- (51) **LOC (11) Cl.** **10-05**
- (52) **U.S. Cl.**
USPC **D10/118.2**
- (58) **Field of Classification Search**
USPC D8/350, 343, 305, 353; D10/46, 104.1, D10/106, 106.5, 106.6, 116.1, 118, 118.1, D10/118.2, 119.1, 120, 121, 124, 126; D13/158, 169, 171, 174; D14/159, 358; D16/202, 203, 208, 209, 215; D25/147, D25/103; D26/72, 85, 88; 200/310; 340/392.1, 384.7, 326, 539.14; 455/41.2
CPC H04M 11/02; H04M 11/025; G08B 3/00; G08B 3/10; G08B 7/00; G08B 7/06
See application file for complete search history.

- D767,568 S * 9/2016 McWilliam D14/358
- D800,201 S * 10/2017 Song D16/202
- D828,201 S * 9/2018 Jeong D10/118.2
- D830,872 S * 10/2018 Jacob D10/118.2

OTHER PUBLICATIONS

Available Oct. 16, 2018, [online], [site visited Nov. 25, 2018]. Available from Internet, <URL:https://www.theverge.com/circuitbreaker/2018/10/16/17984226/simplisafe-smart-doorbell-wide-angle-c (Year: 2018).*

Available Nov. 25, 2018, [online], [site visited Nov. 25, 2018]. Available from Internet, <URL:https://simplisafe.com/video-doorbell-pro> (Year: 2018).*

[No Author Listed] Phot of Nest Hello. https://nest.com/doorbell/nest-hello/overview/, last accessed Sep. 22, 2017, 1 page.

* cited by examiner

Primary Examiner — Cathron C Brooks
Assistant Examiner — Katrina N Gonzalez
 (74) *Attorney, Agent, or Firm* — Wolf, Greenfield & Sacks, P.C.

(57) **CLAIM**

The ornamental design for a doorbell, as shown and described.

DESCRIPTION

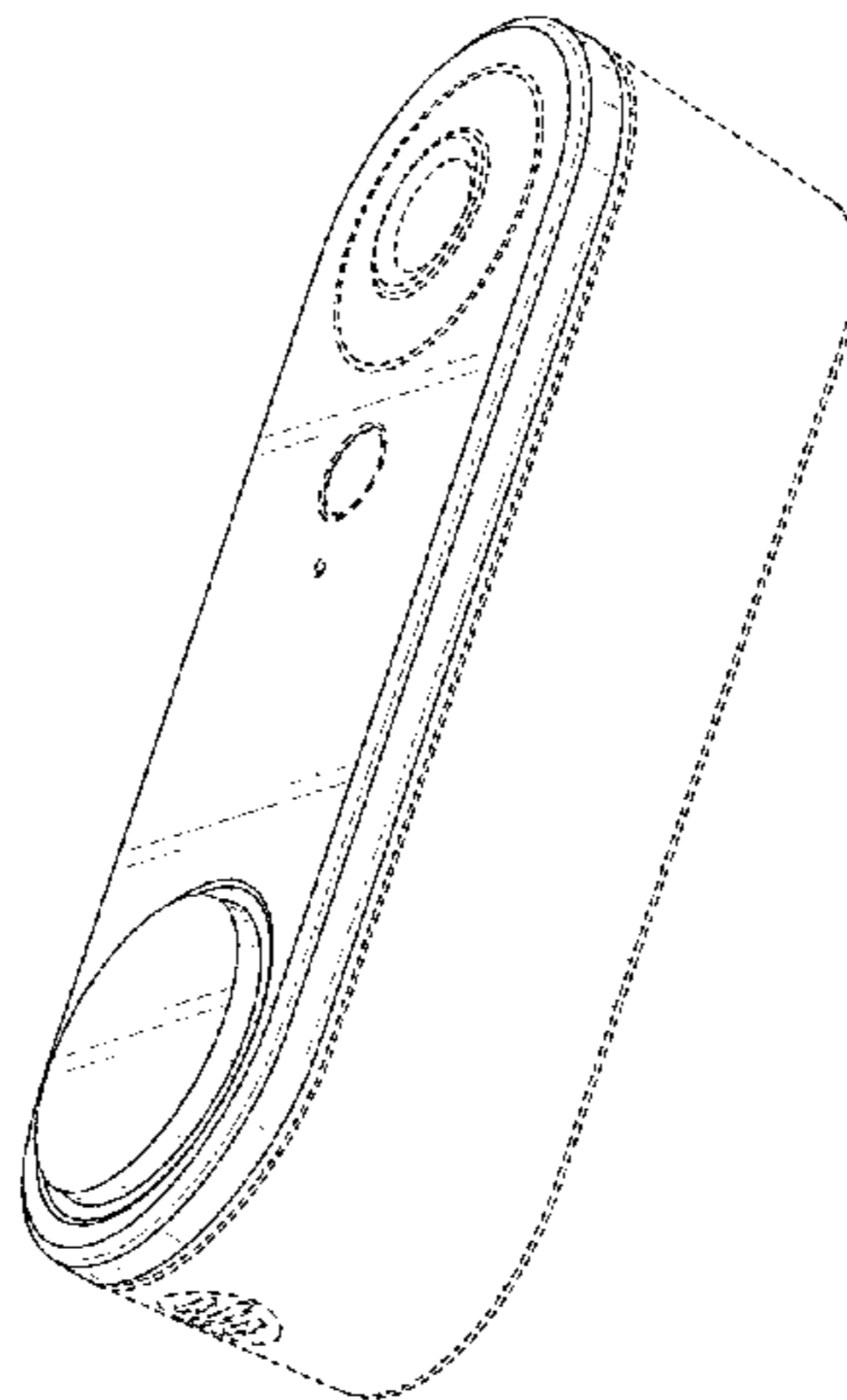
FIG. 1 shows a lower, front, right perspective view of the doorbell;
 FIG. 2 shows an upper, front, right perspective view thereof;
 FIG. 3 shows a front view thereof;
 FIG. 4 shows a rear view thereof;
 FIG. 5 shows a right side view thereof, the left side being a mirror image;
 FIG. 6 shows a top view thereof; and,
 FIG. 7 shows a bottom view thereof.
 The broken lines illustrate portions of the doorbell that form no part of the claimed design.

1 Claim, 7 Drawing Sheets

(56) **References Cited**

U.S. PATENT DOCUMENTS

- D464,365 S * 10/2002 Su D16/202
- D479,712 S * 9/2003 Ng D14/203.3
- D562,779 S * 2/2008 Lamoree D13/171
- D605,542 S * 12/2009 Ho D10/118
- D747,228 S * 1/2016 Fiedler D10/104.1
- D764,958 S * 8/2016 Scalisi D10/118.2



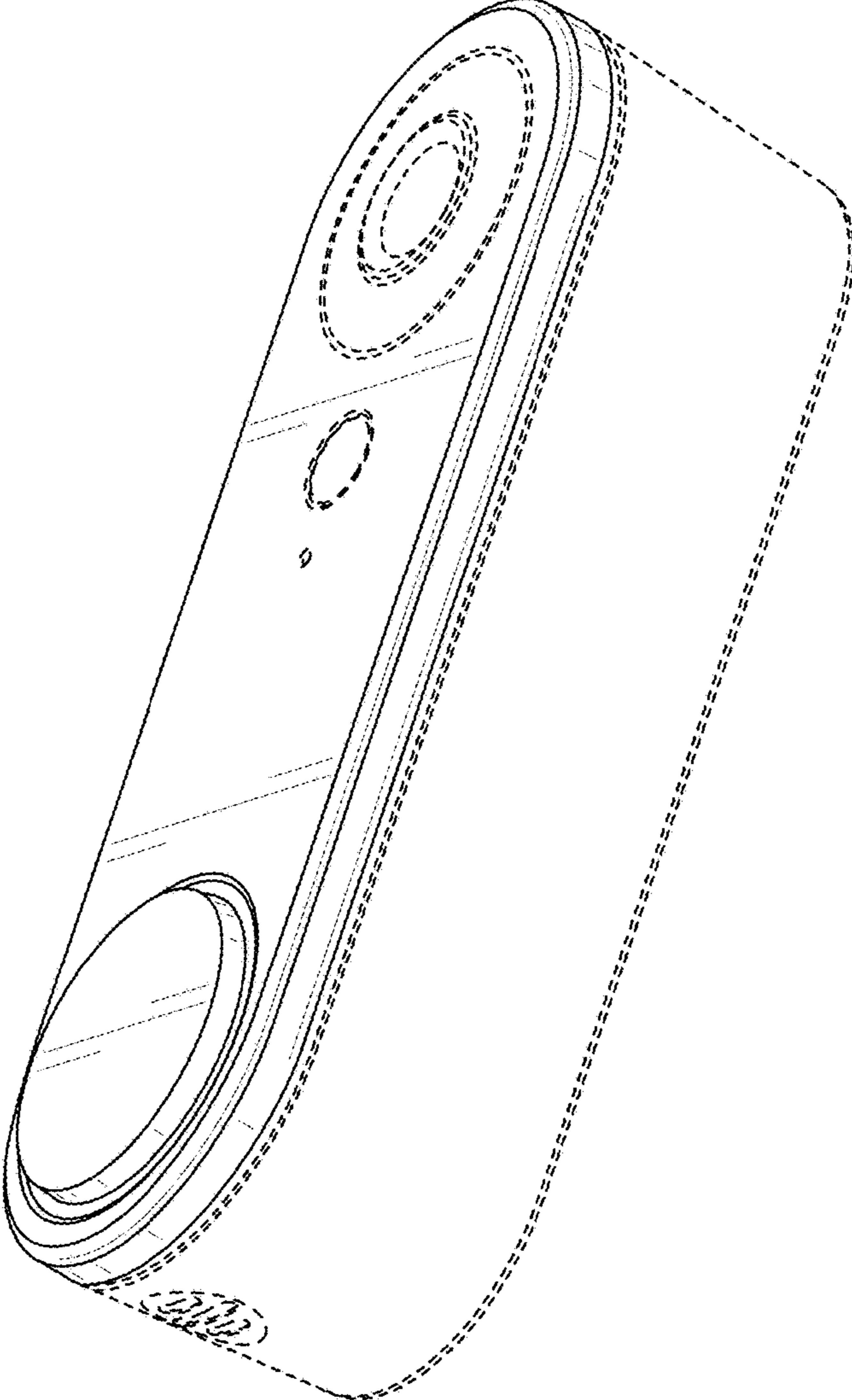


FIG. 1

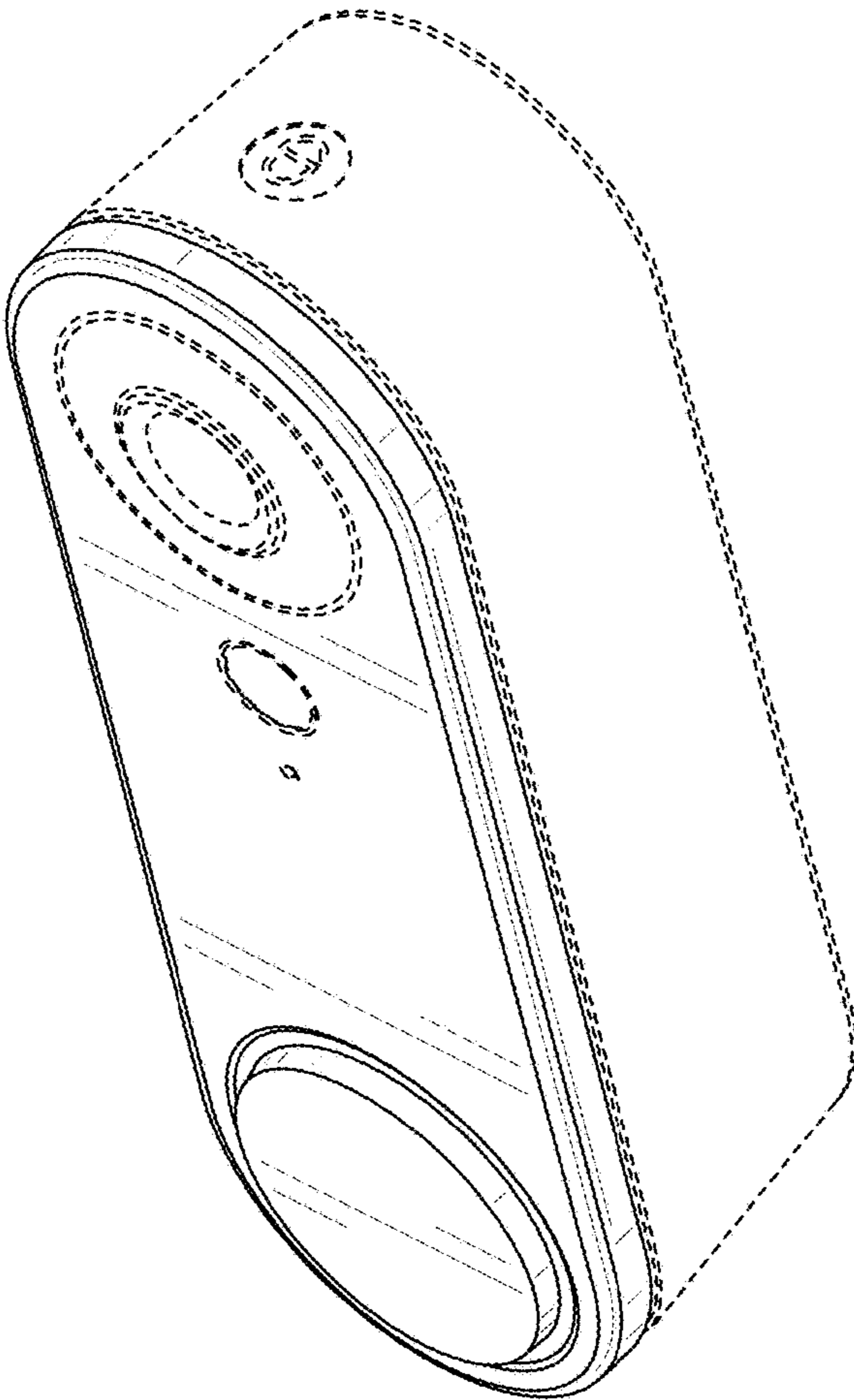


FIG. 2

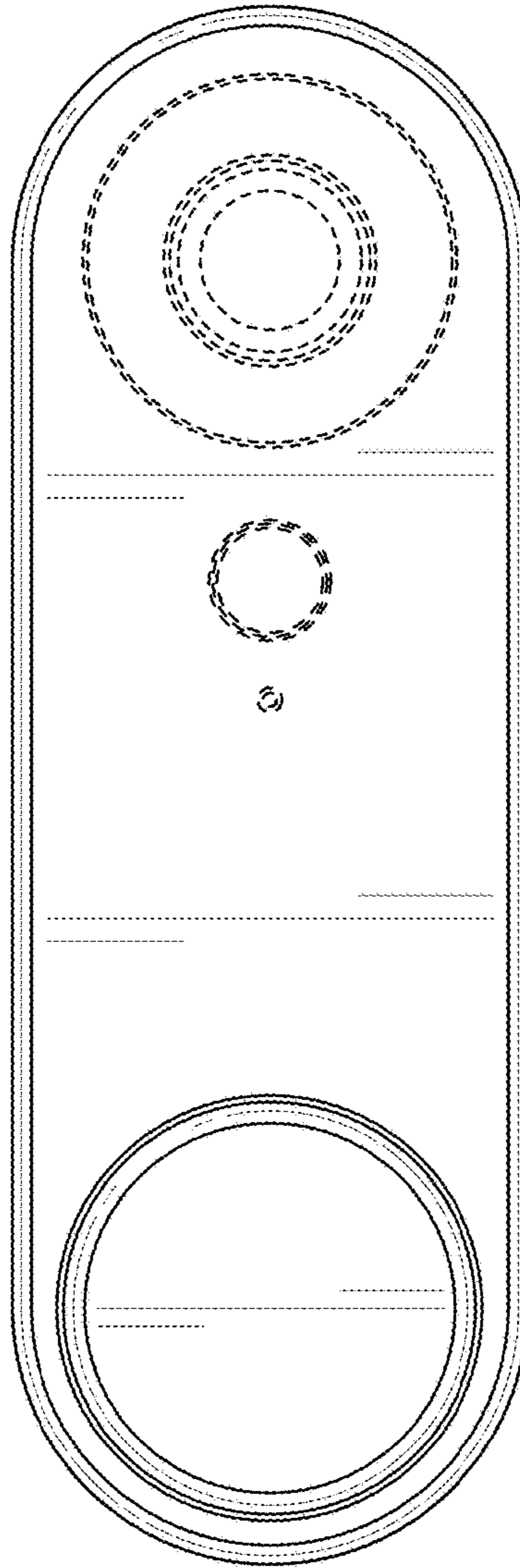


FIG. 3

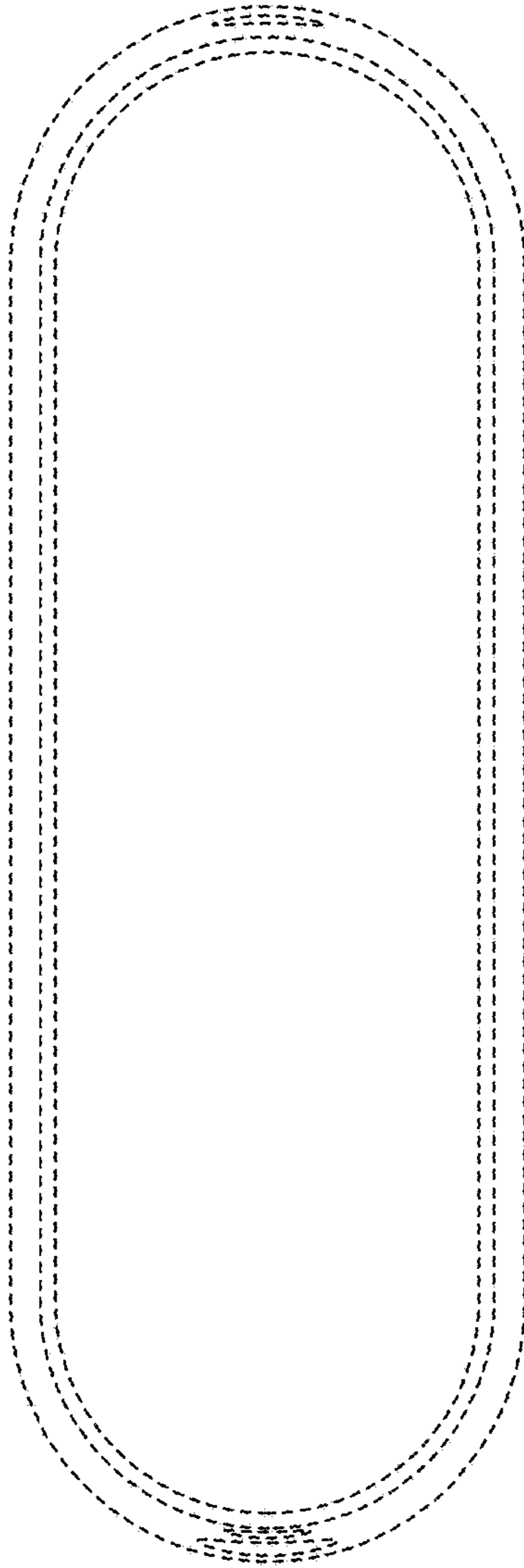


FIG. 4

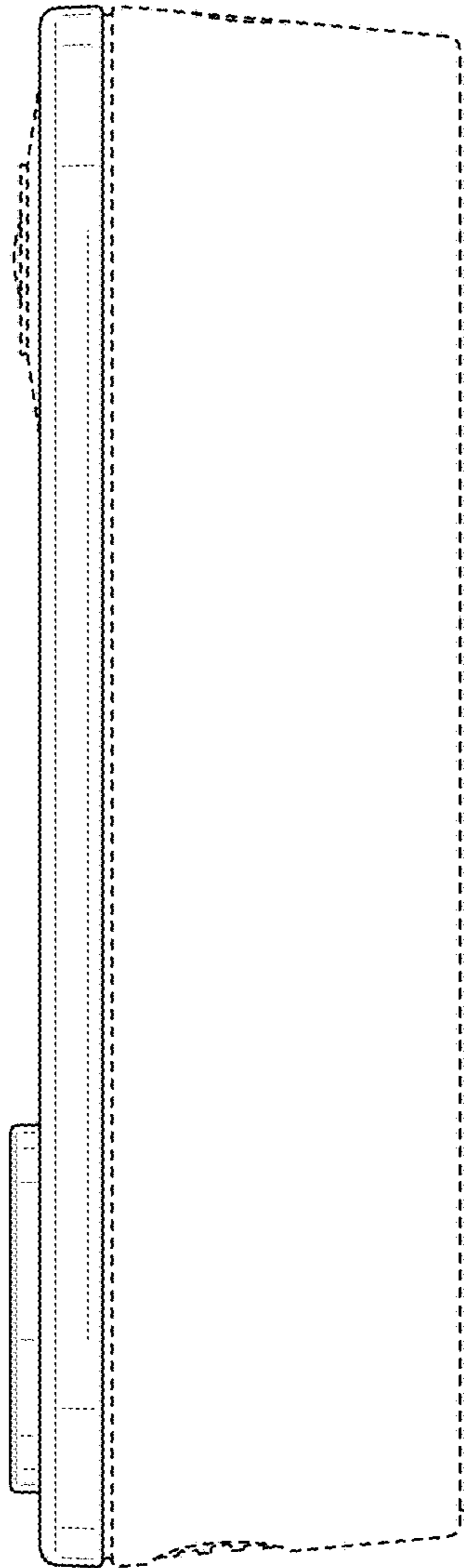


FIG. 5

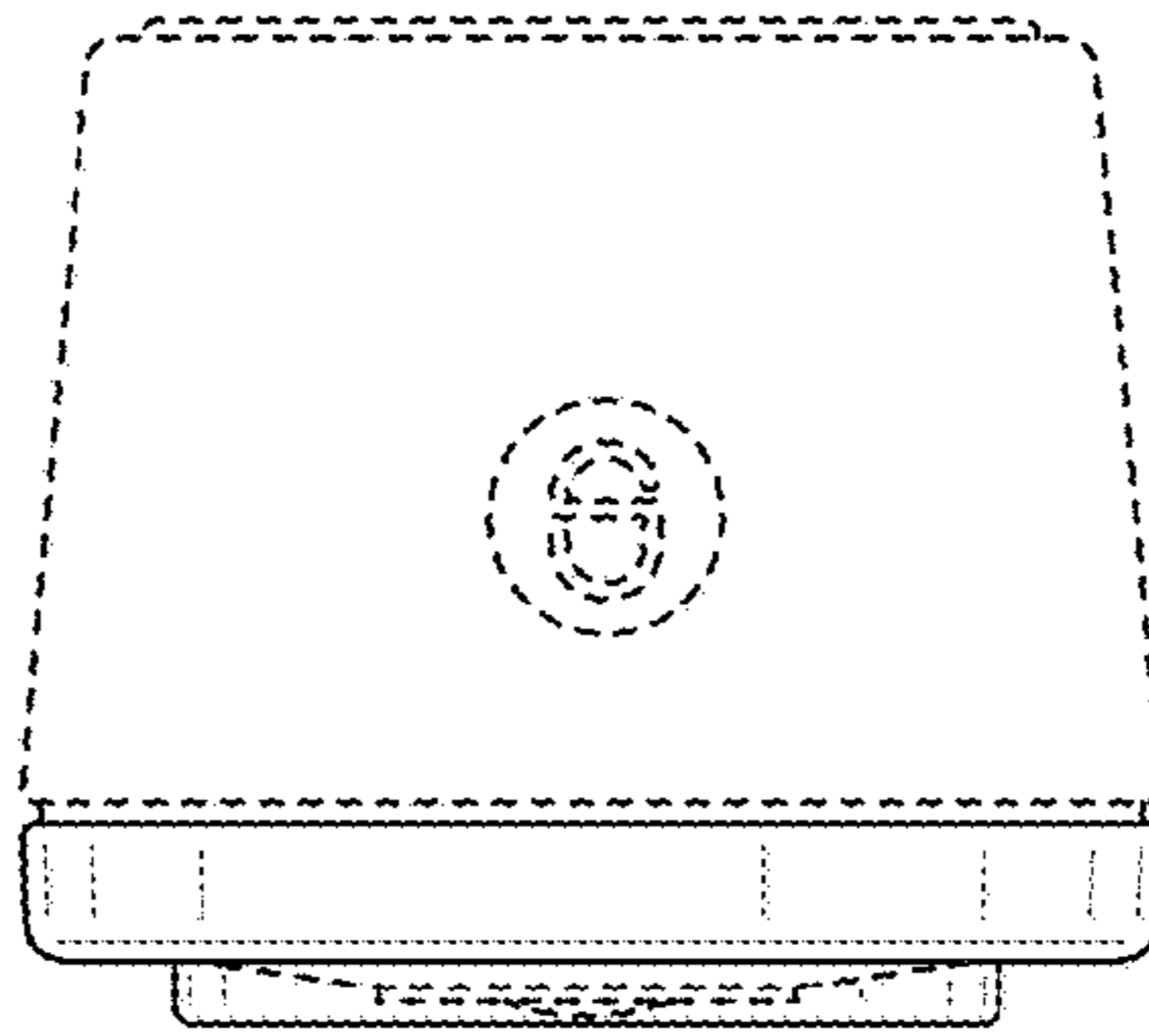


FIG. 6

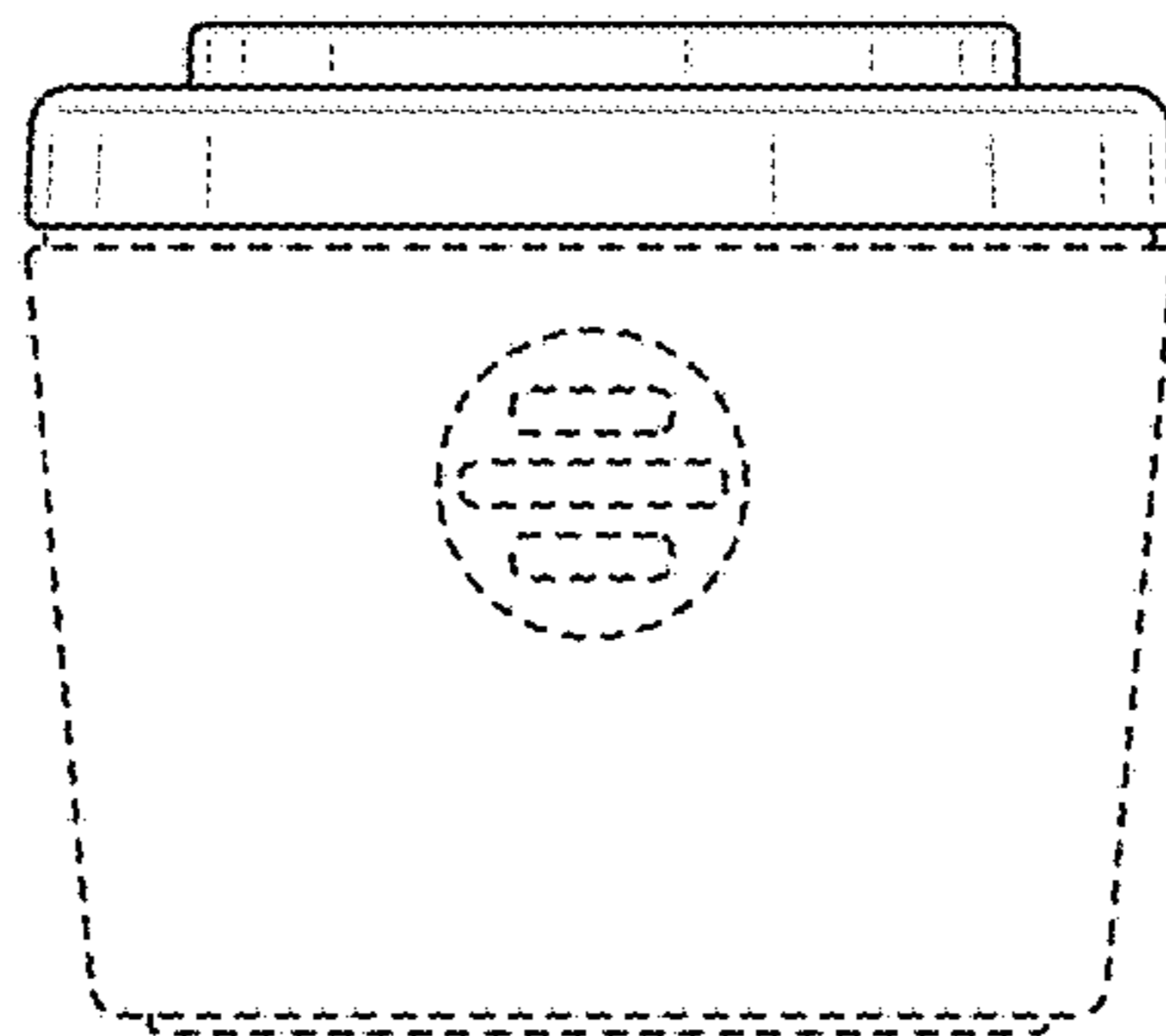


FIG. 7