

US00D850312S

(12) **United States Design Patent**
Yang

(10) **Patent No.:** **US D850,312 S**

(45) **Date of Patent:** **** Jun. 4, 2019**

(54) **COMBINED DUAL WEIGHING SCALES SET**

(71) Applicant: **SHENZHEN UNIQUE SCALES CO., LTD.**, Shenzhen, Guangdong (CN)

(72) Inventor: **Xianwen Yang**, Shenzhen (CN)

(73) Assignee: **SHENZHEN UNIQUE SCALES CO., LTD.**, Shenzhen, Guangdong Province (CN)

(**) Term: **15 Years**

(21) Appl. No.: **29/633,118**

(22) Filed: **Jan. 12, 2018**

(51) **LOC (11) Cl.** **10-04**

(52) **U.S. Cl.**
USPC **D10/92**

(58) **Field of Classification Search**
USPC D10/92
CPC G01G 21/28; G01G 21/283; G01G 21/286;
G01G 21/30; G01G 23/37; G01G
23/3728; G01G 23/3735; G01G 19/44;
G01G 19/445; G01G 19/46; G01G 19/48;
G01G 19/50; G01G 21/44
See application file for complete search history.

(56) **References Cited**

U.S. PATENT DOCUMENTS

D538,190 S * 3/2007 Aglassinger D10/92
D678,095 S * 3/2013 Renner D10/91
D686,518 S * 7/2013 Kaiser D10/91

D700,091 S * 2/2014 Ogihara D10/92
D700,092 S * 2/2014 Ogihara D10/92
D718,162 S * 11/2014 Kobayakawa D10/92
D726,566 S * 4/2015 Ogihara D10/92
D778,747 S * 2/2017 Lebrat D10/92
D796,361 S * 9/2017 Bihan D10/92
D798,175 S * 9/2017 Donovanick D10/92
D808,287 S * 1/2018 Liang D10/92
D808,288 S * 1/2018 Yu D10/92
D812,503 S * 3/2018 Garner D10/92

* cited by examiner

Primary Examiner — Antoine Duval Davis

(74) *Attorney, Agent, or Firm* — Wpat, PC

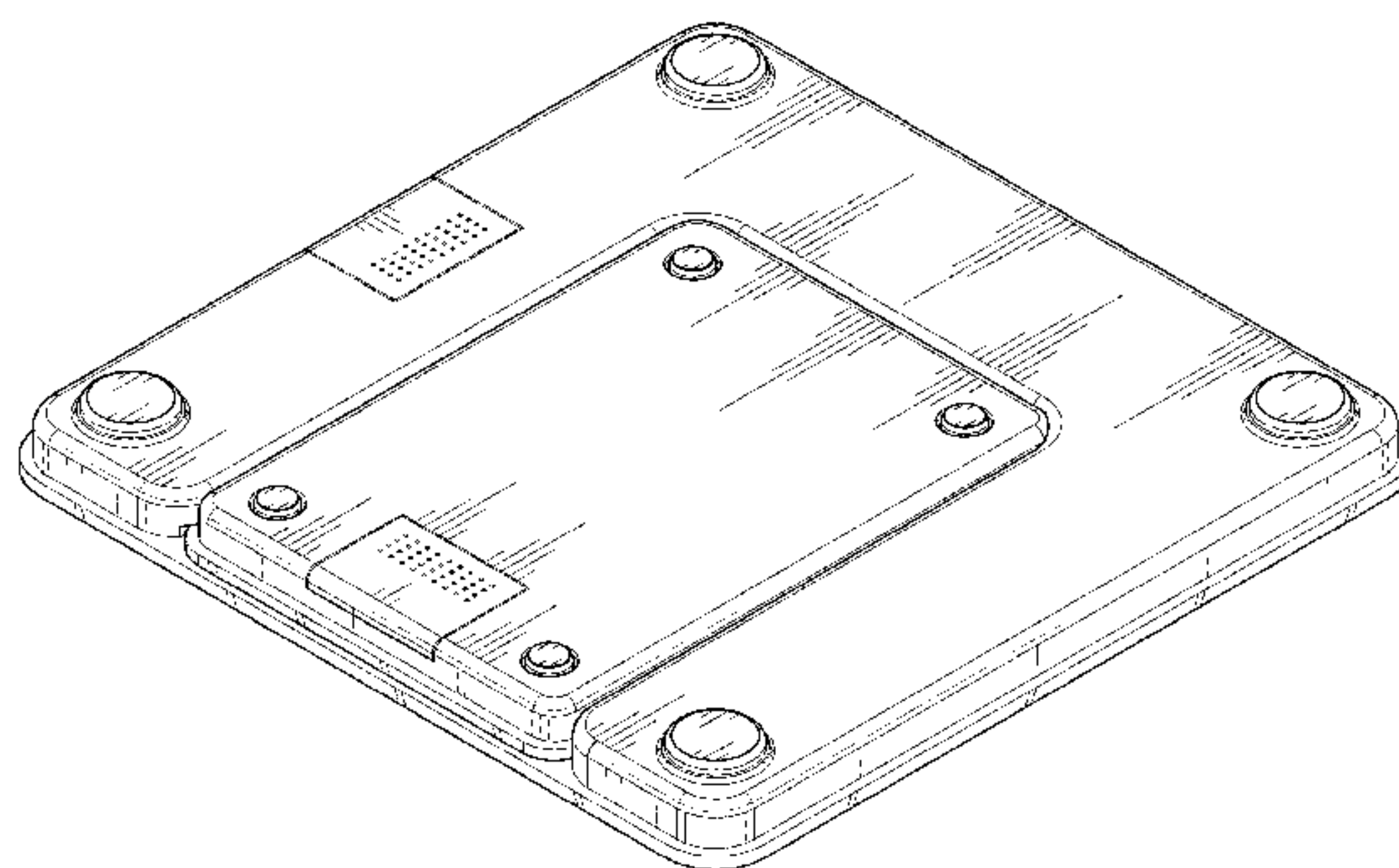
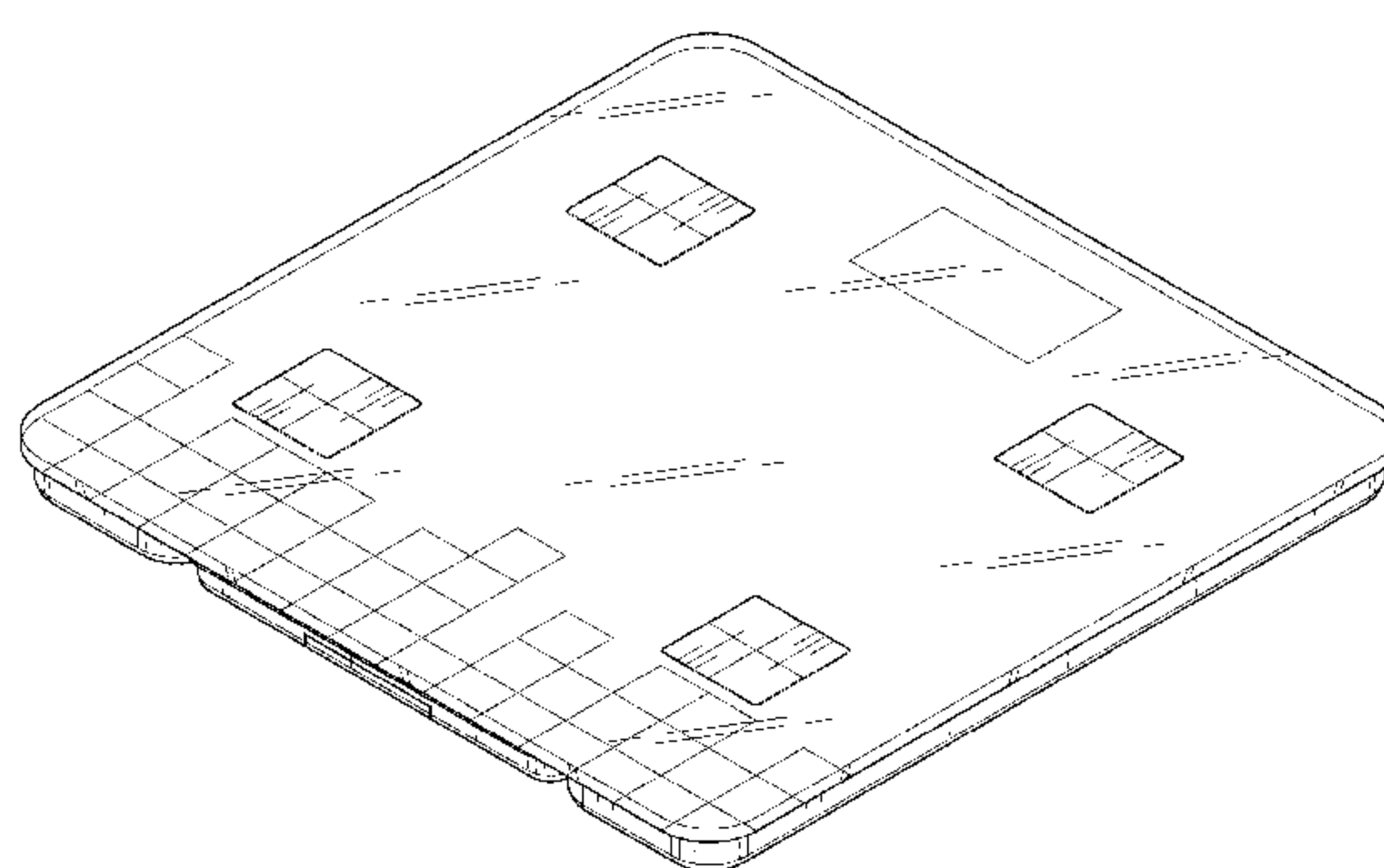
(57) **CLAIM**

The ornamental design for a “combined dual weighing scales set,” as shown and described.

DESCRIPTION

FIG. 1 is a top perspective view of a combined dual weighing scales set showing my new design;
FIG. 2 is a front elevational view thereof;
FIG. 3 is a rear elevational view thereof;
FIG. 4 is a left side elevational view thereof;
FIG. 5 is a right side elevational view thereof;
FIG. 6 is a top view plan thereof;
FIG. 7 is a bottom plan view thereof;
FIG. 8 is a bottom perspective view thereof;
FIG. 9 is a top perspective view showing two weighing scales being separated according to FIG. 1 thereof; and,
FIG. 10 is a bottom perspective view showing two weighing scales being separated according to FIG. 8 thereof.

1 Claim, 8 Drawing Sheets



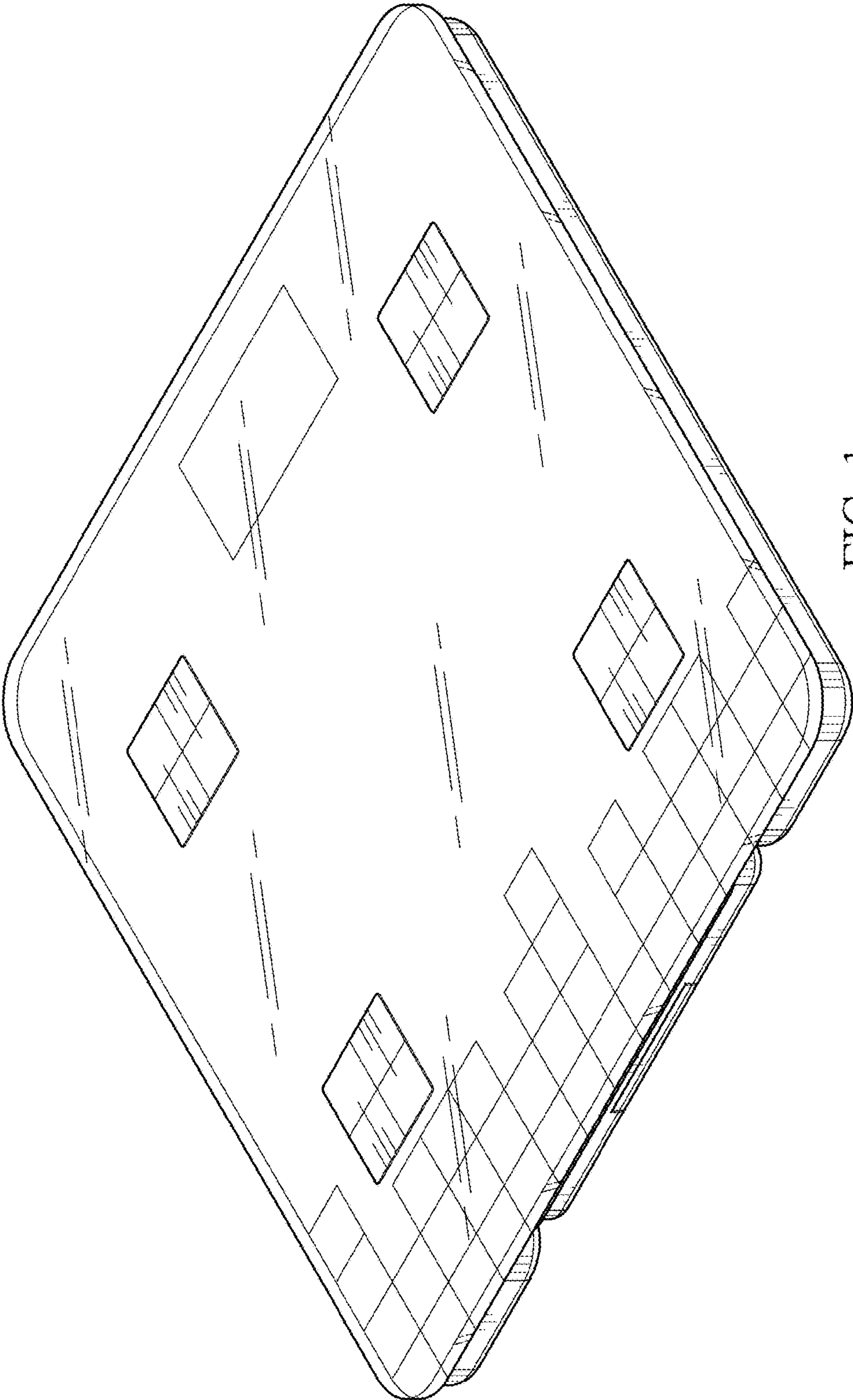


FIG. 1

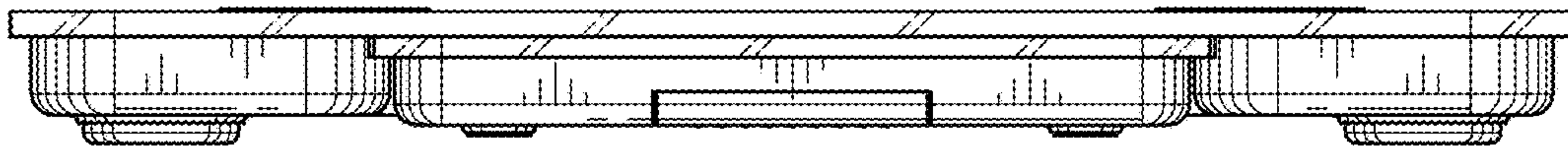


FIG. 2

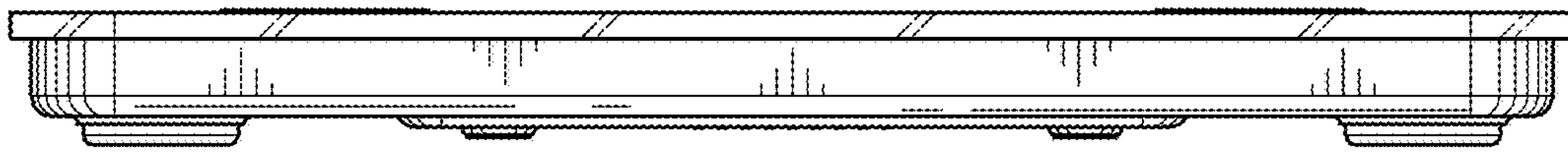


FIG. 3

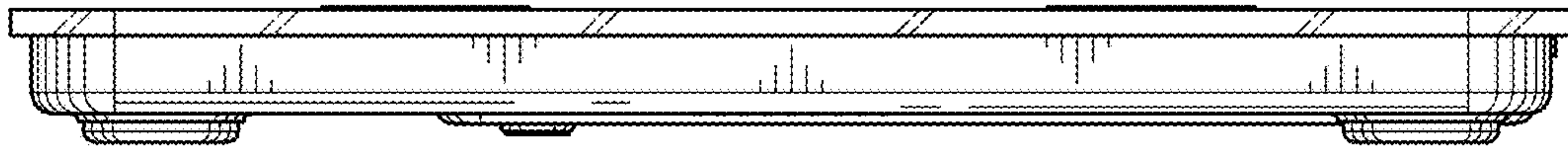


FIG. 4

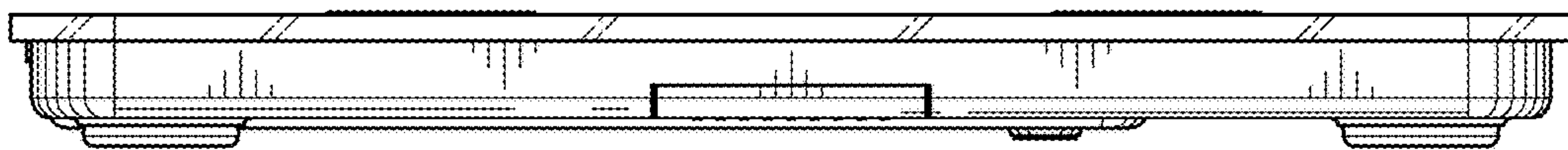


FIG. 5

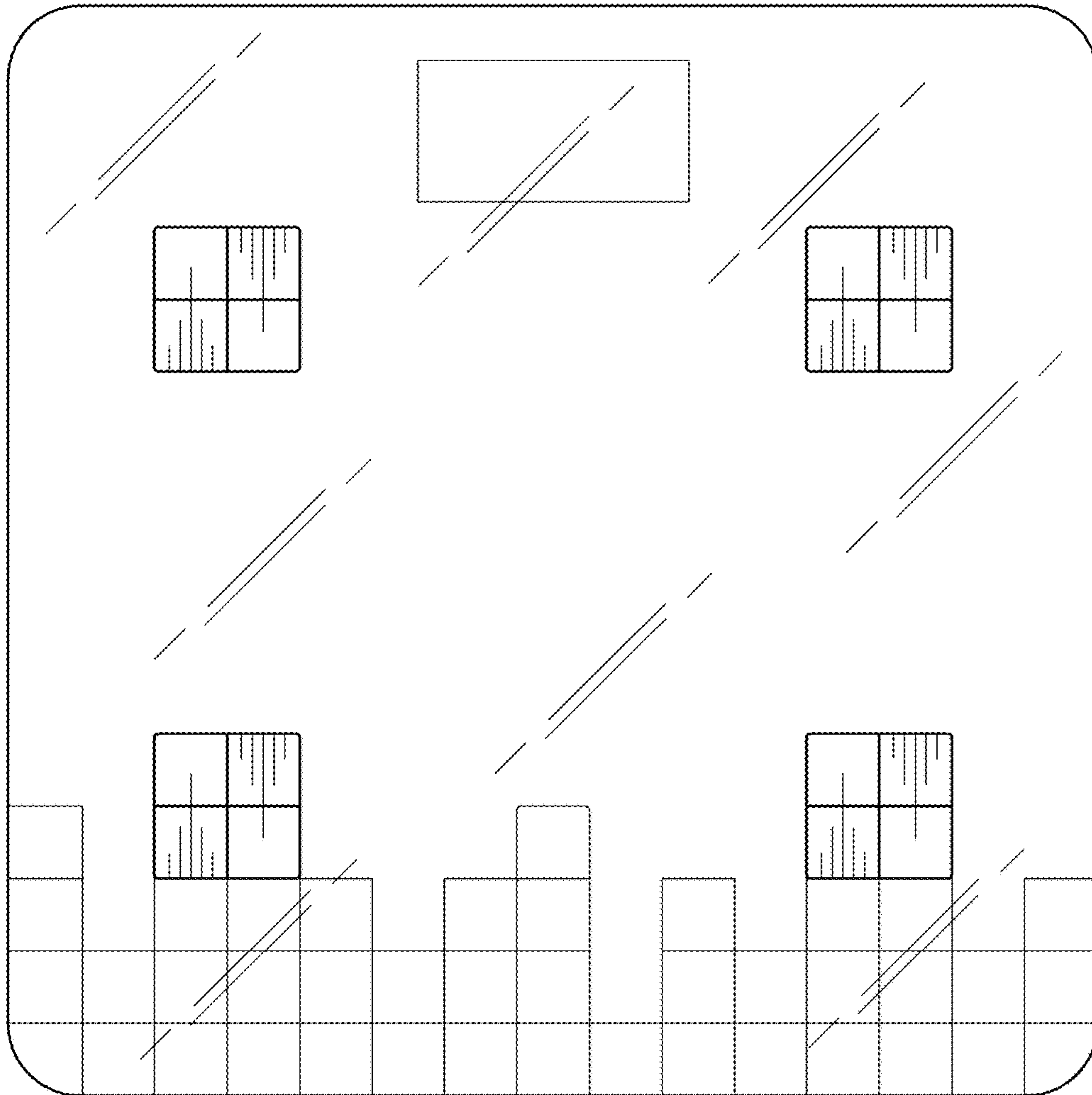


FIG. 6

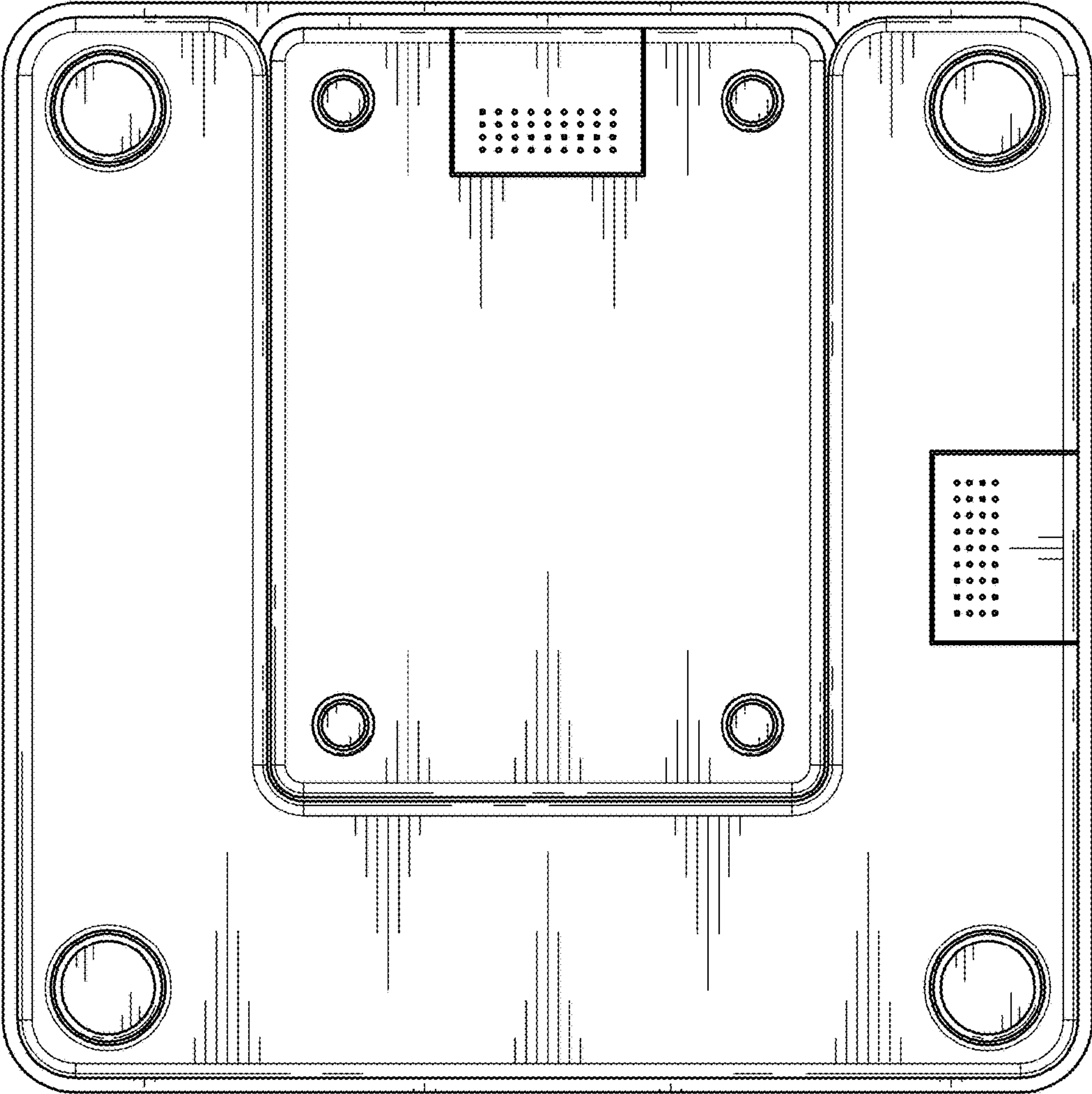


FIG. 7

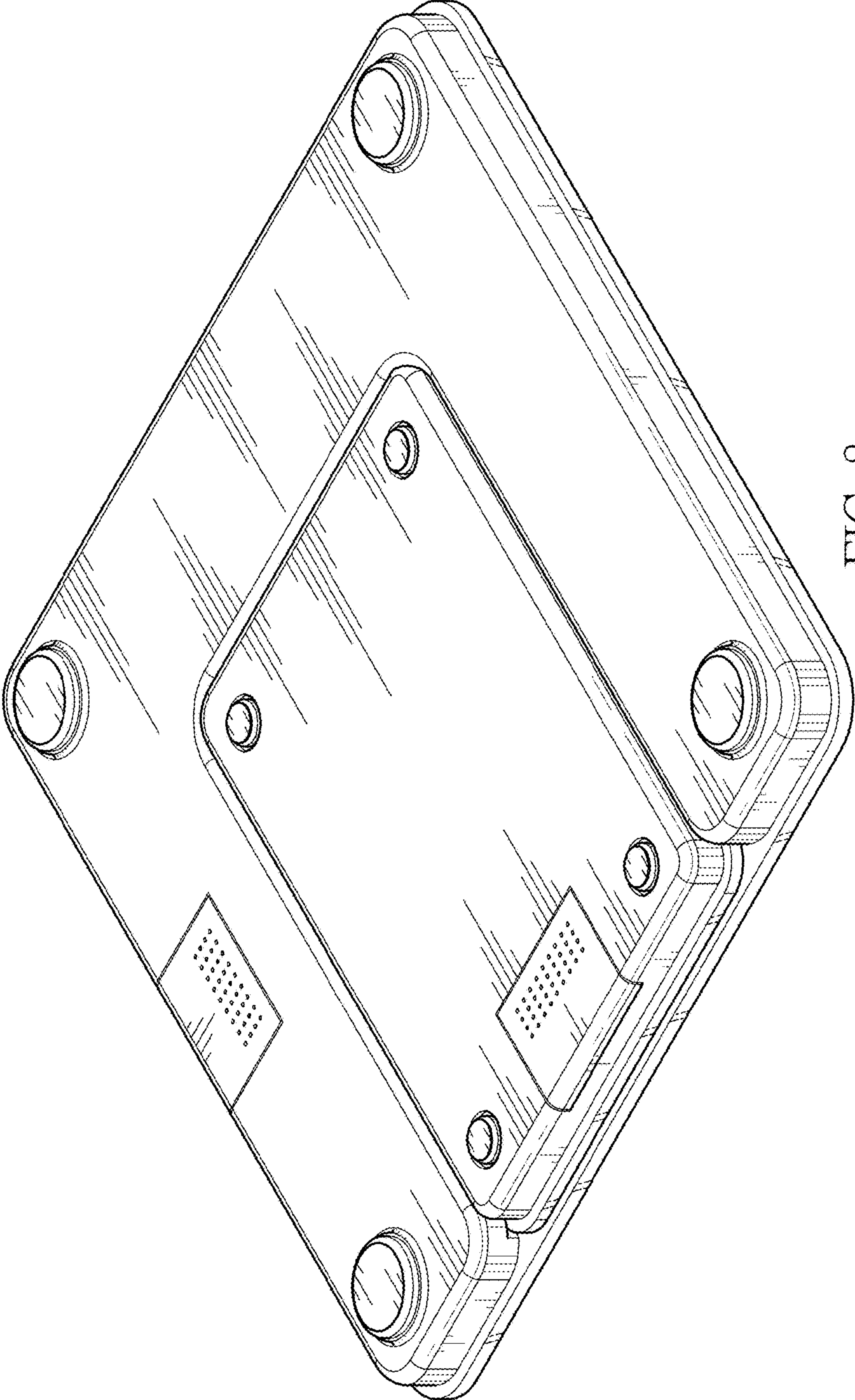


FIG. 8

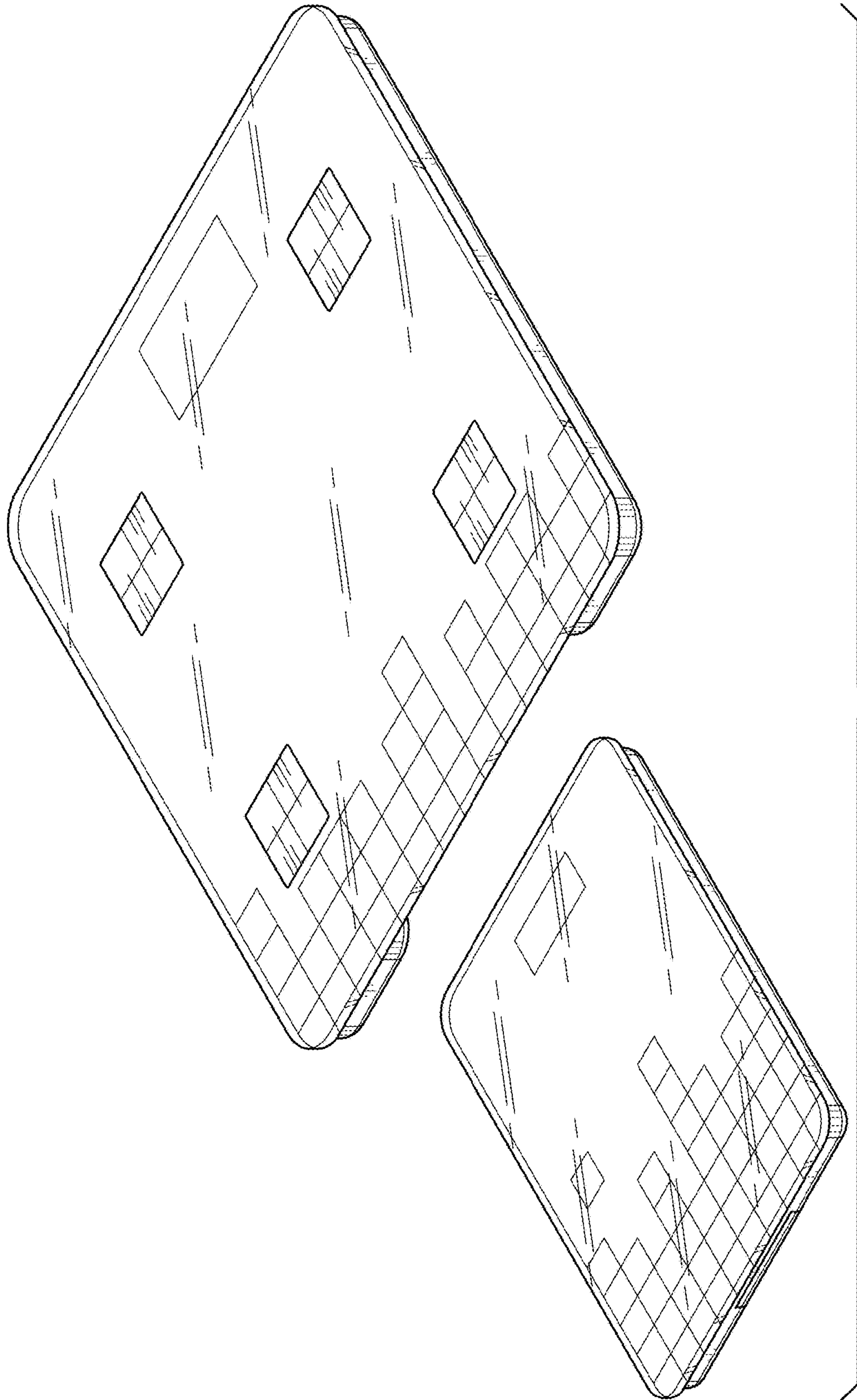


FIG. 9

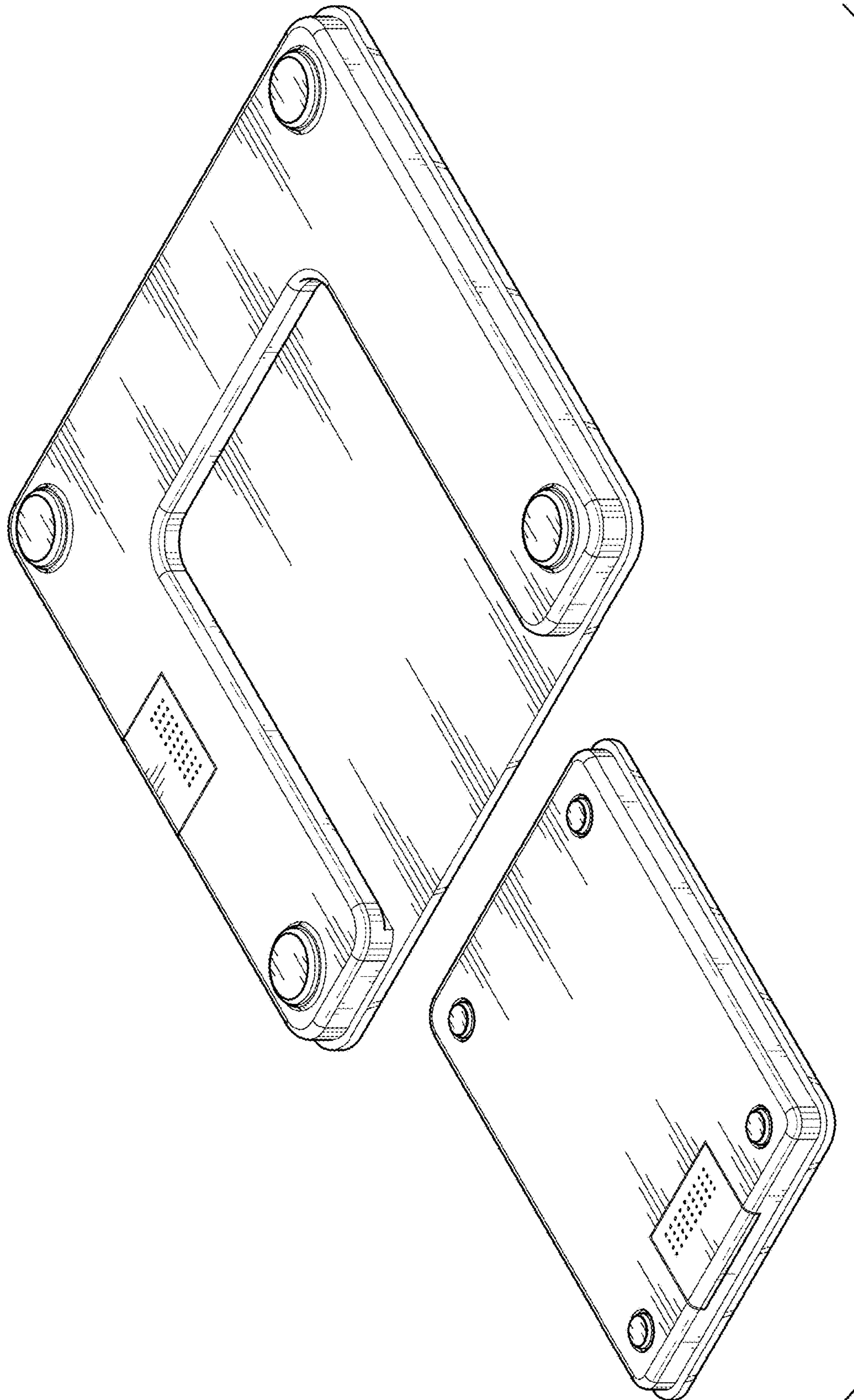


FIG. 10