



US00D850311S

(12) **United States Design Patent**
Sancoff et al.

(10) **Patent No.:** **US D850,311 S**

(45) **Date of Patent:** **** Jun. 4, 2019**

(54) **SAMPLING DEVICE FOR INDOOR ENVIRONMENTAL HAZARDS**

8,146,448 B2 * 4/2012 Briscoe G01N 33/0004
73/863.23
D834,433 S * 11/2018 Tackett D10/81

(71) Applicant: **Live-Pure, Inc.**, Newington, NH (US)

* cited by examiner

(72) Inventors: **Greg Sancoff**, North Hampton, NH (US); **Blake Sancoff**, North Hampton, NH (US); **Joel Nevin**, Portsmouth, NH (US)

Primary Examiner — Antoine Duval Davis

(74) *Attorney, Agent, or Firm* — Pandiscio & Pandiscio

(**) Term: **15 Years**

(21) Appl. No.: **29/639,429**

(22) Filed: **Mar. 6, 2018**

(51) **LOC (11) Cl.** **10-04**

(52) **U.S. Cl.**
USPC **D10/81**

(58) **Field of Classification Search**
USPC D10/81
CPC G01N 1/2273; G01N 2001/2276; G01N 2001/2279; G01N 7/00; G01N 7/02; G01N 7/04; G01N 7/06; G01N 7/08; G01N 7/10; G01N 7/12; G01N 7/14; G01N 7/16; G01N 7/18; G01N 7/20; G01N 7/22; G01N 1/22-1/2294; G01N 2001/2217-2001/2297; G01N 25/56; G01N 27/122; G01N 33/004-33/0075; G01N 29/36; H04B 17/23; G09B 9/00; G09B 29/00; G09B 19/00; G07B 17/00661; G06G 7/54
See application file for complete search history.

(57) **CLAIM**

The ornamental design for a sampling device for indoor environmental hazards, as shown and described.

DESCRIPTION

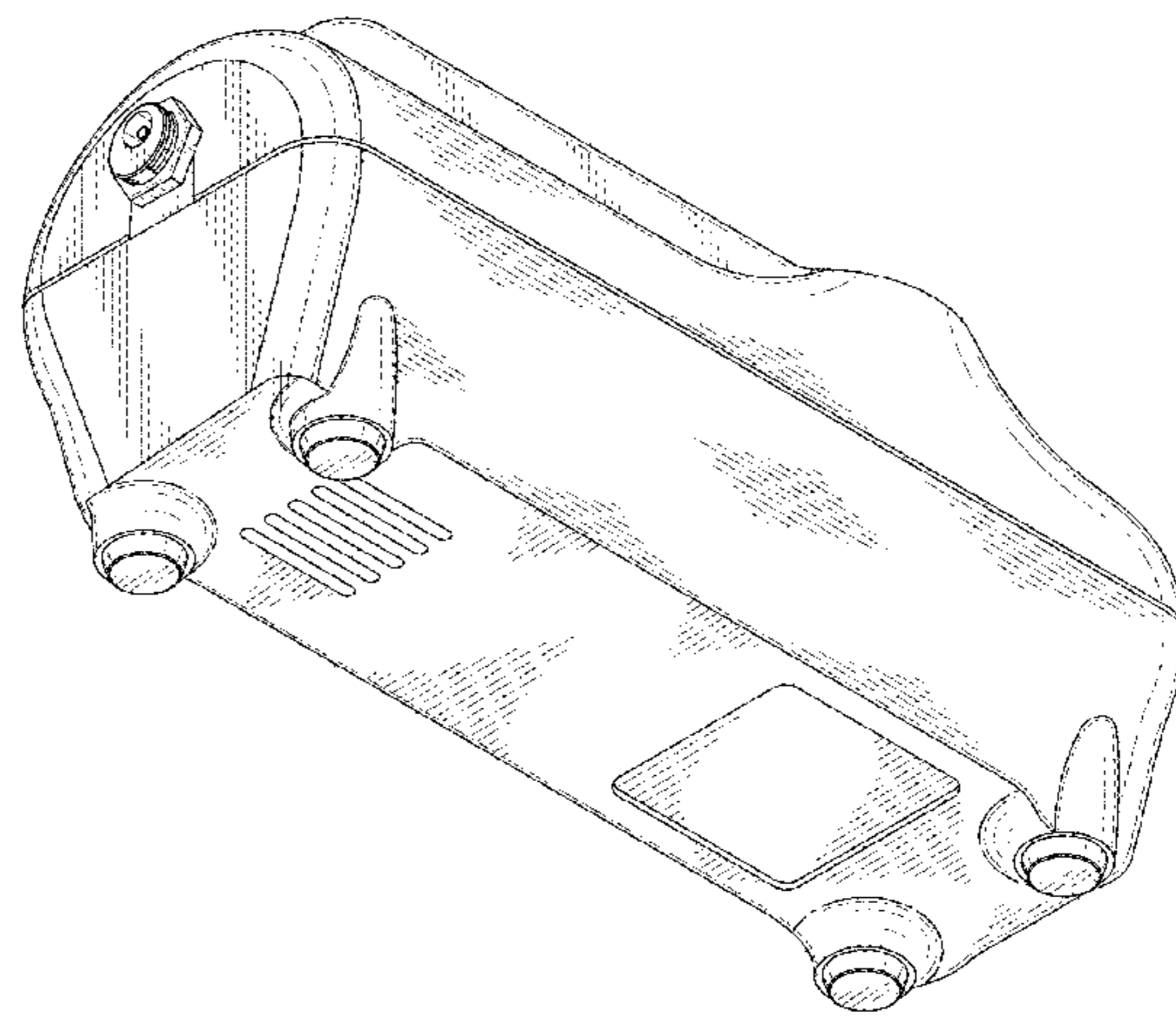
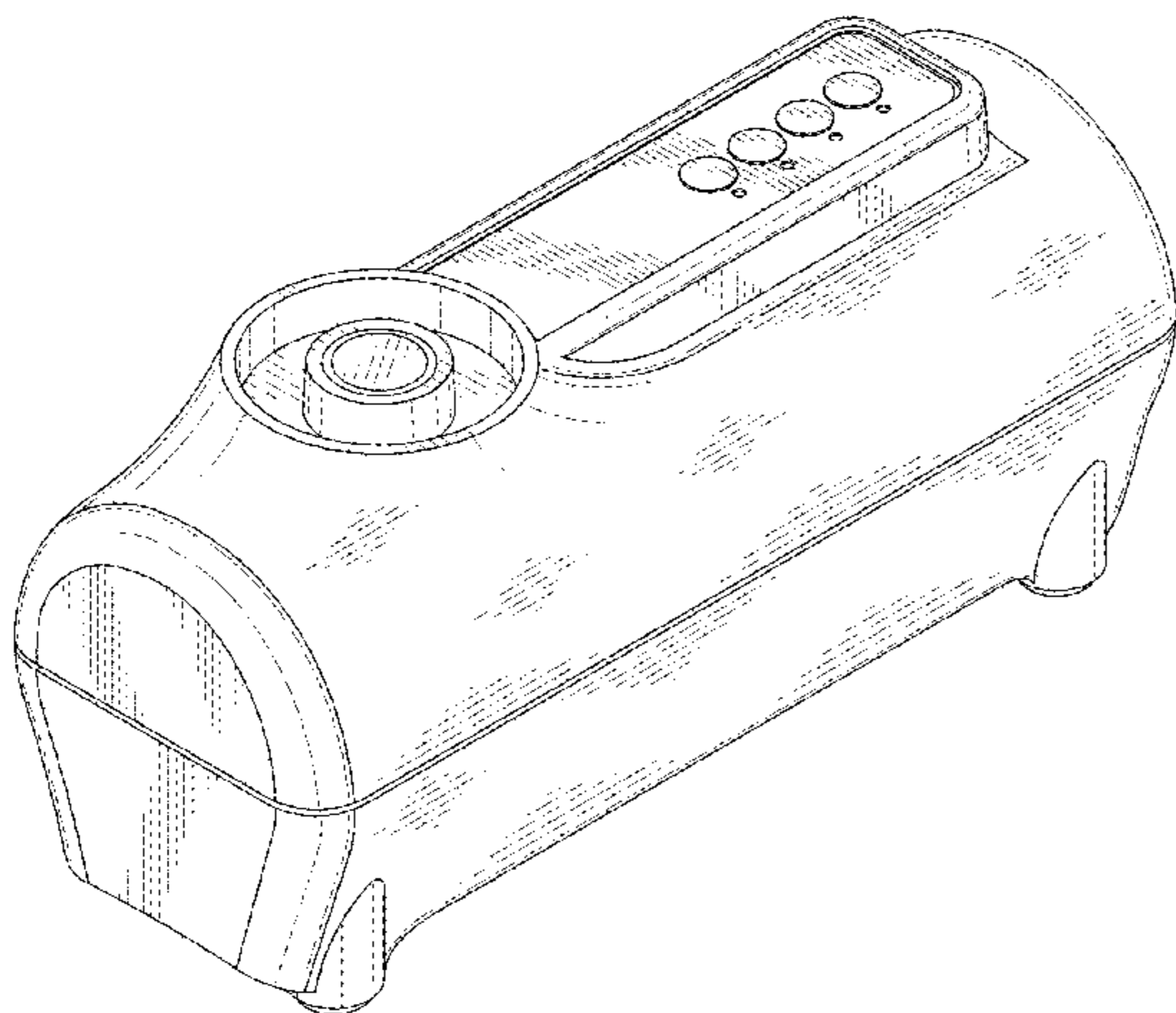
FIG. 1 is a top left perspective view of the sampling device for indoor environmental hazards;
FIG. 2 is a bottom right perspective view of the sampling device for indoor environmental hazards;
FIG. 3 is a front view of the sampling device for indoor environmental hazards;
FIG. 4 is a rear view of the sampling device for indoor environmental hazards;
FIG. 5 is a right side of the sampling device for indoor environmental hazards;
FIG. 6 is a left side of the sampling device for indoor environmental hazards;
FIG. 7 is a top view of the sampling device for indoor environmental hazards; and,
FIG. 8 is a bottom view of the sampling device for indoor environmental hazards.

(56) **References Cited**

U.S. PATENT DOCUMENTS

7,511,809 B2 * 3/2009 Schneider G01N 1/2273
356/301

1 Claim, 8 Drawing Sheets



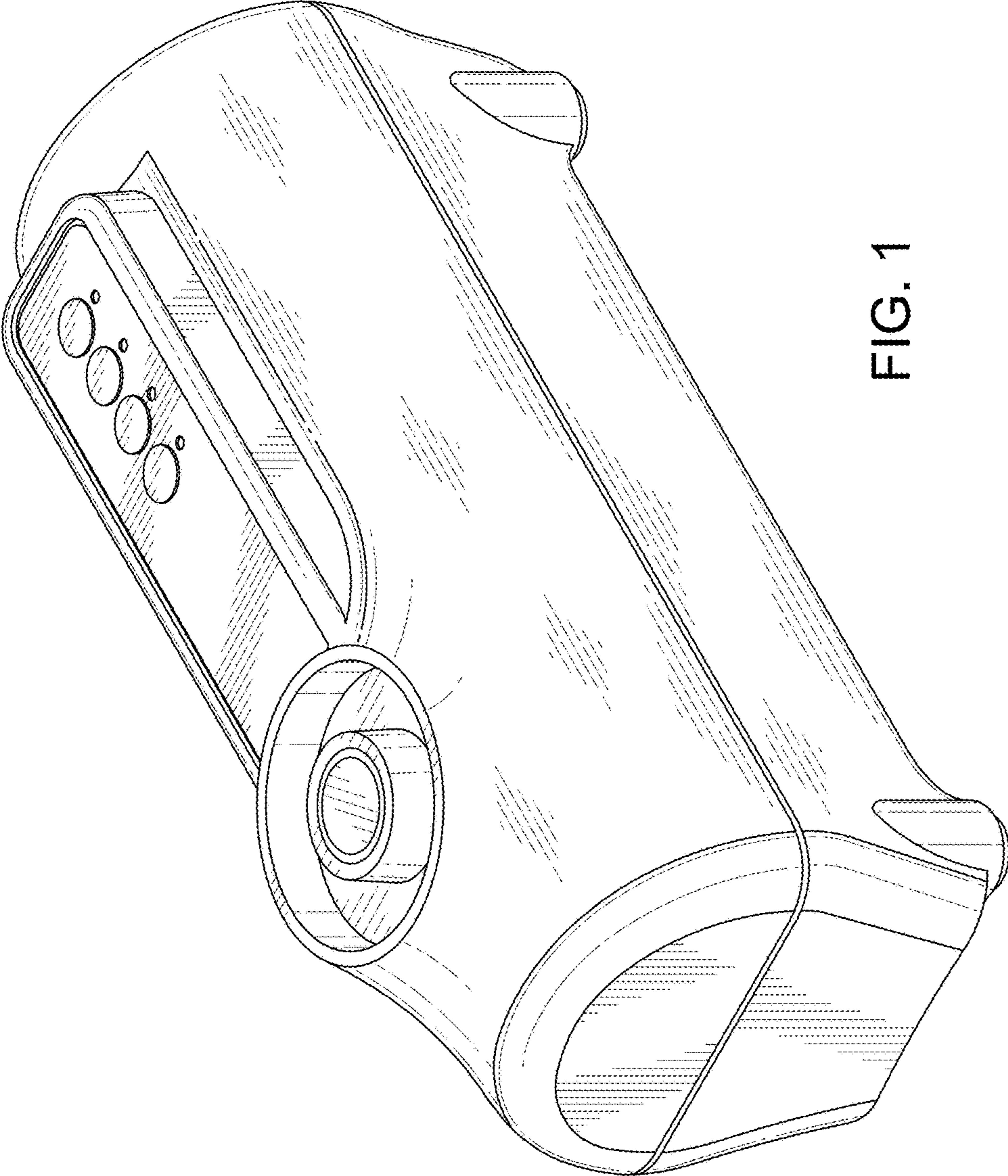


FIG. 1

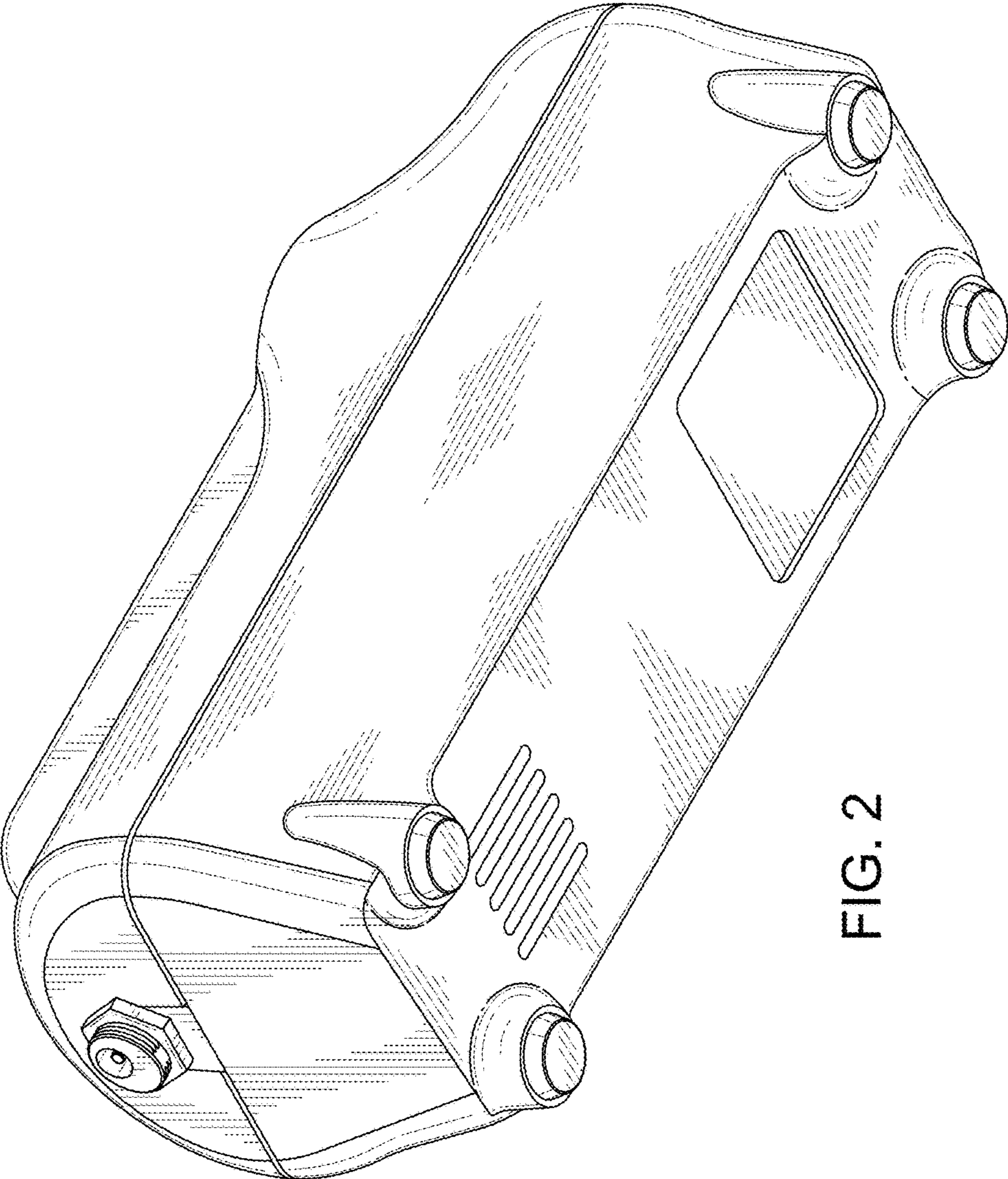


FIG. 2

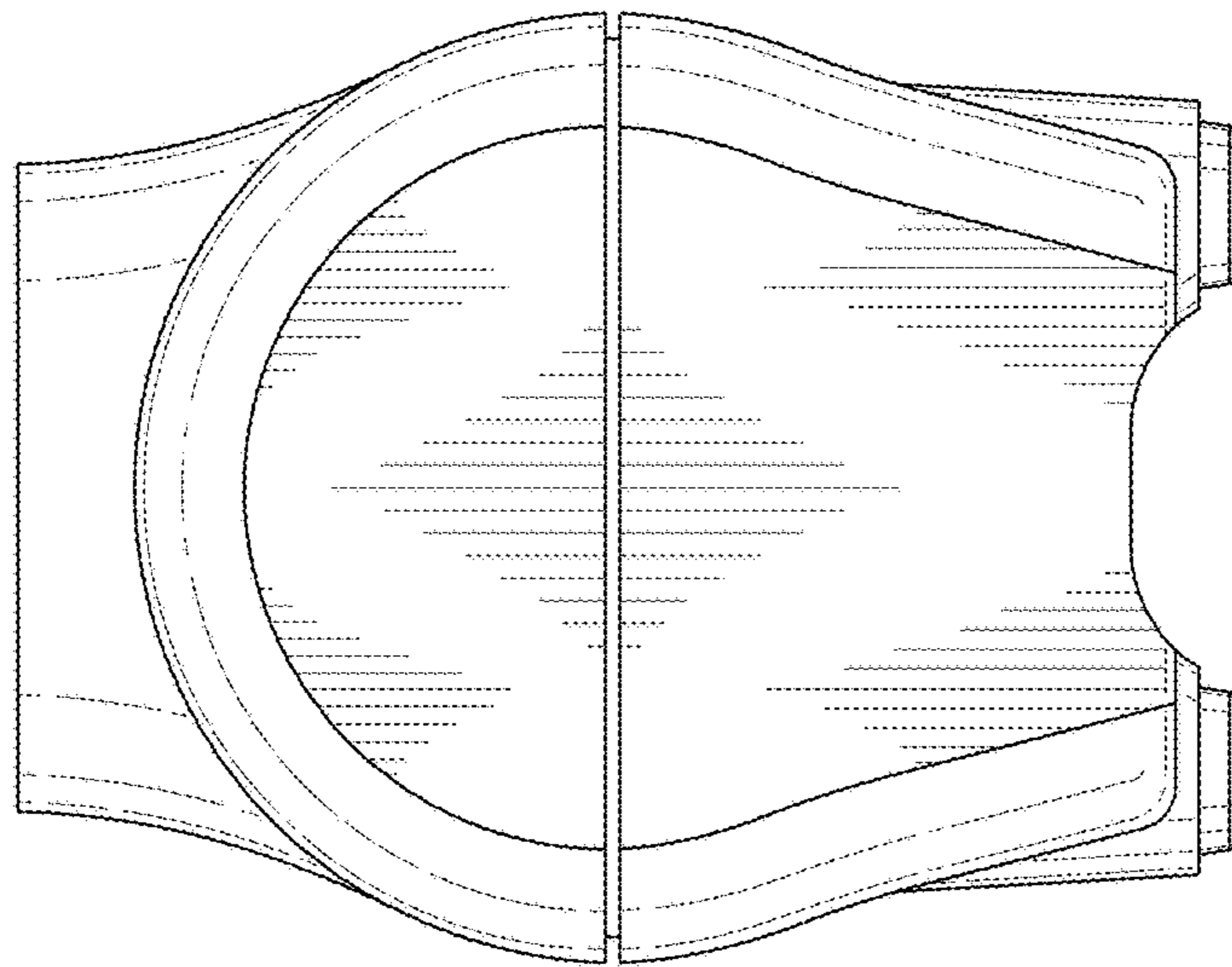


FIG. 3

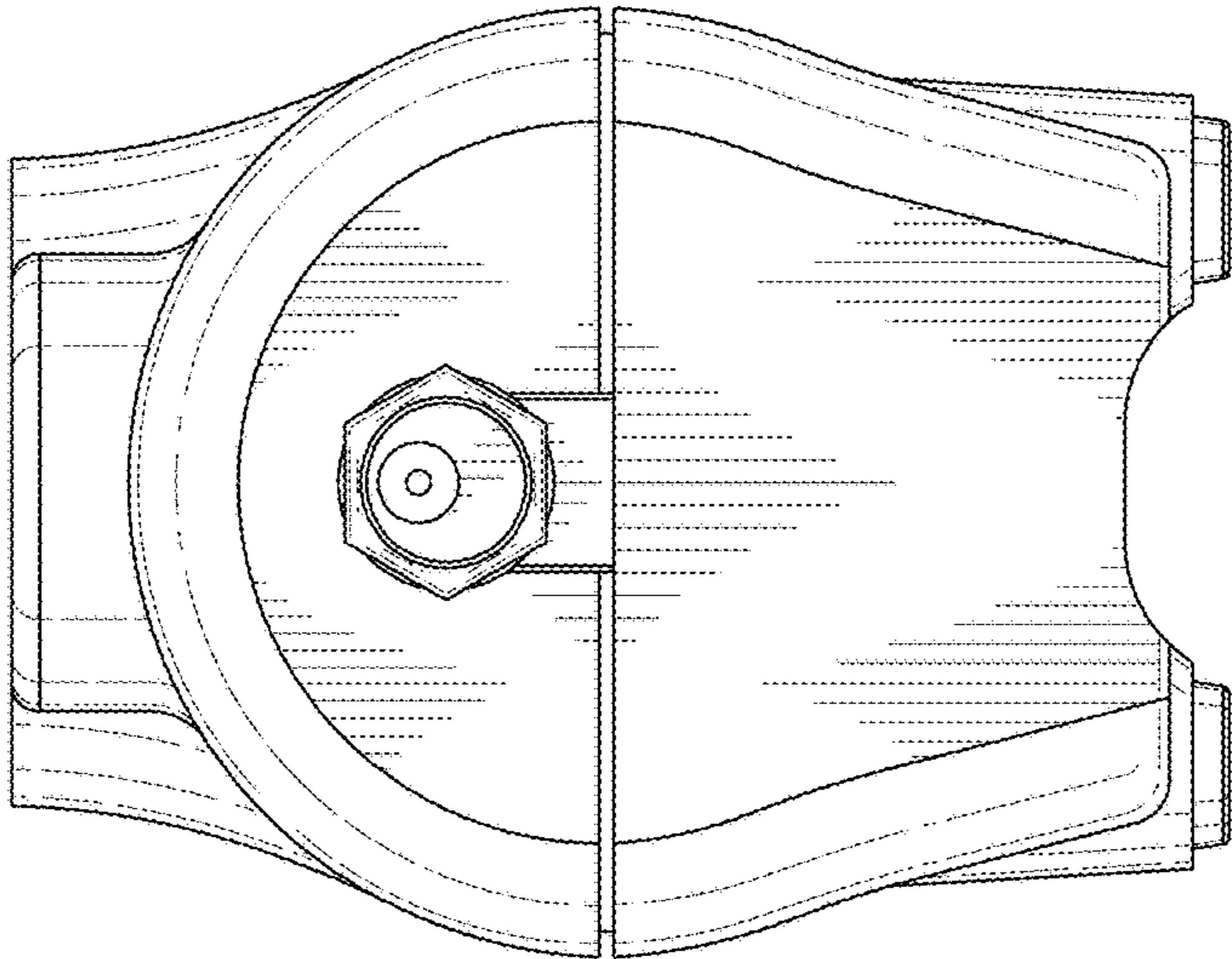


FIG. 4

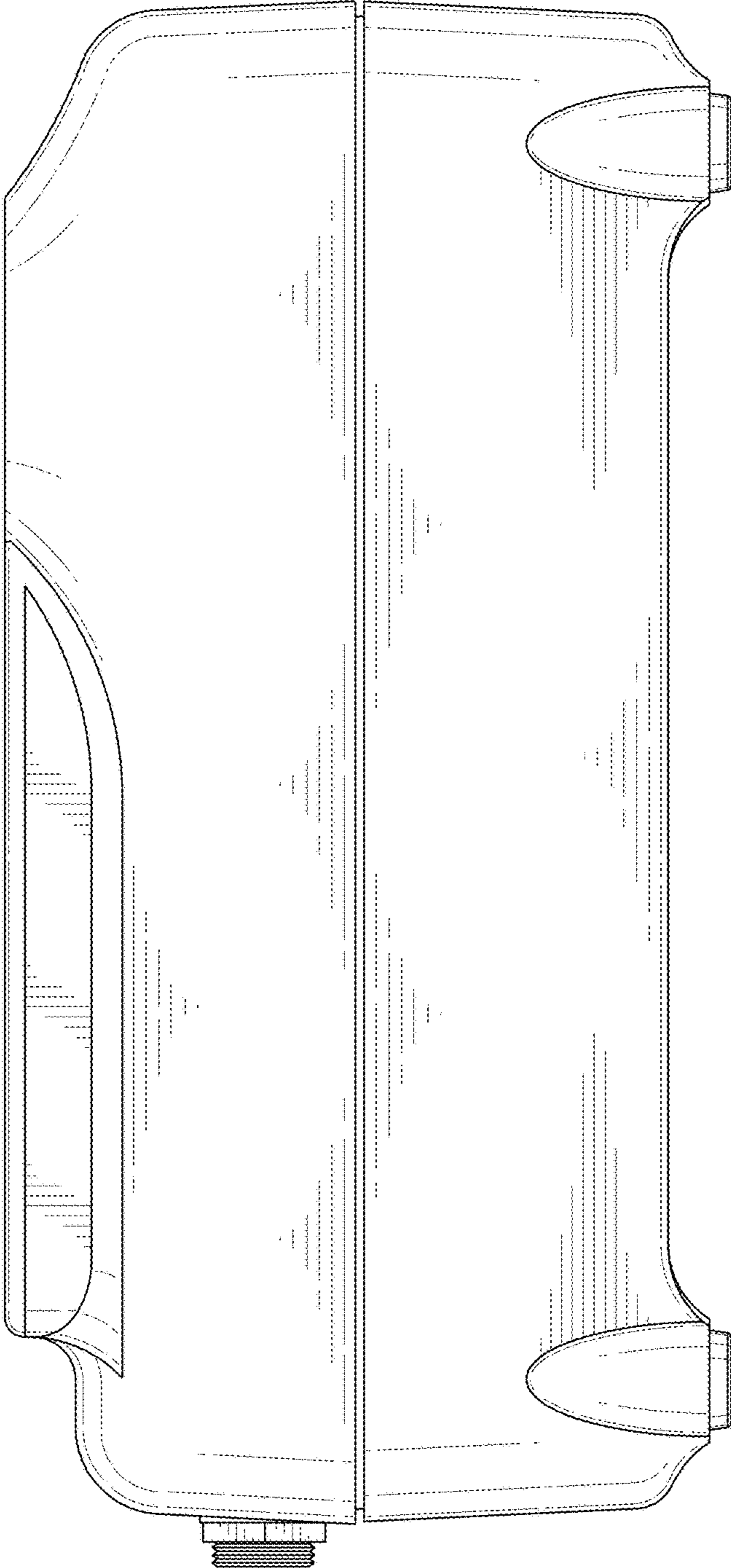


FIG. 5

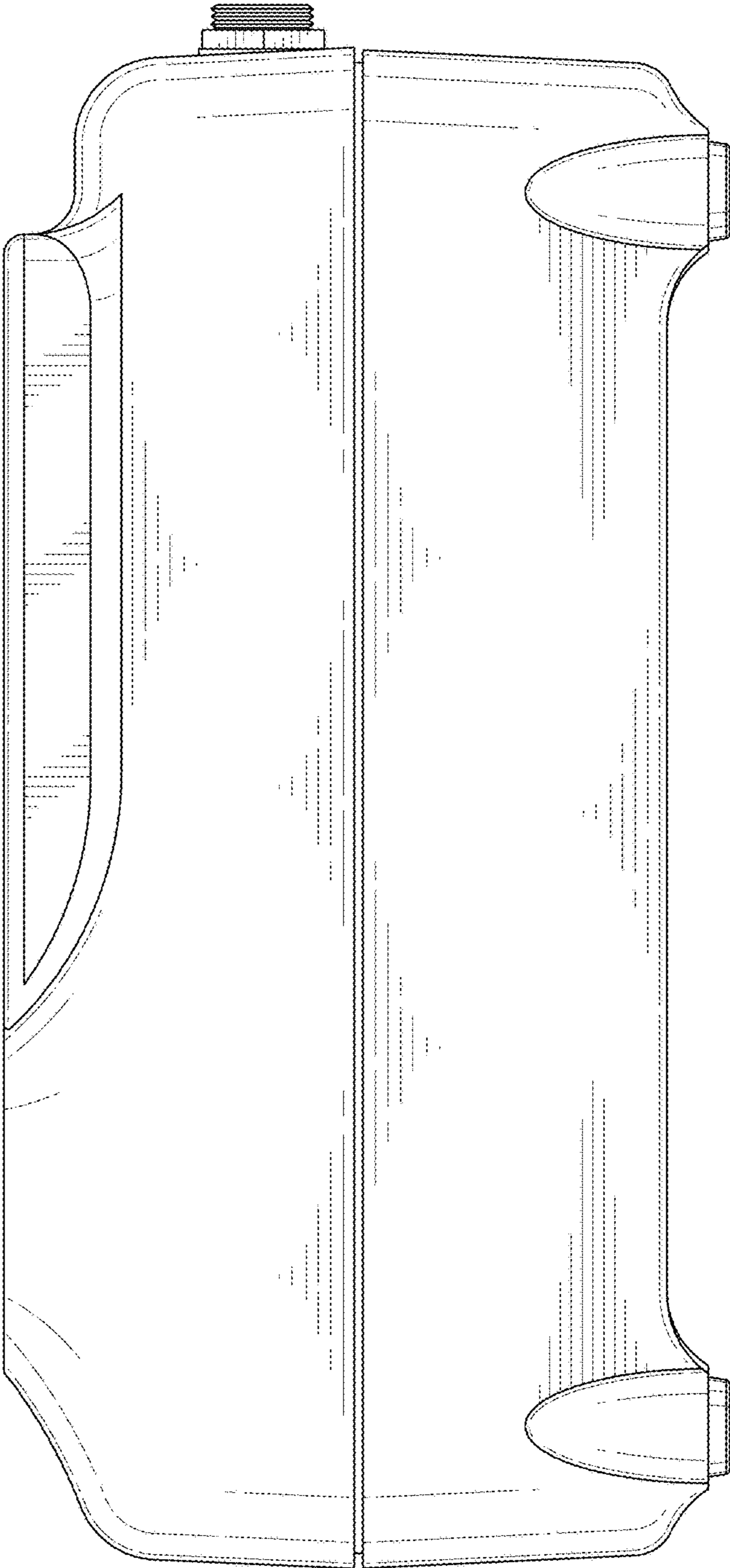


FIG. 6

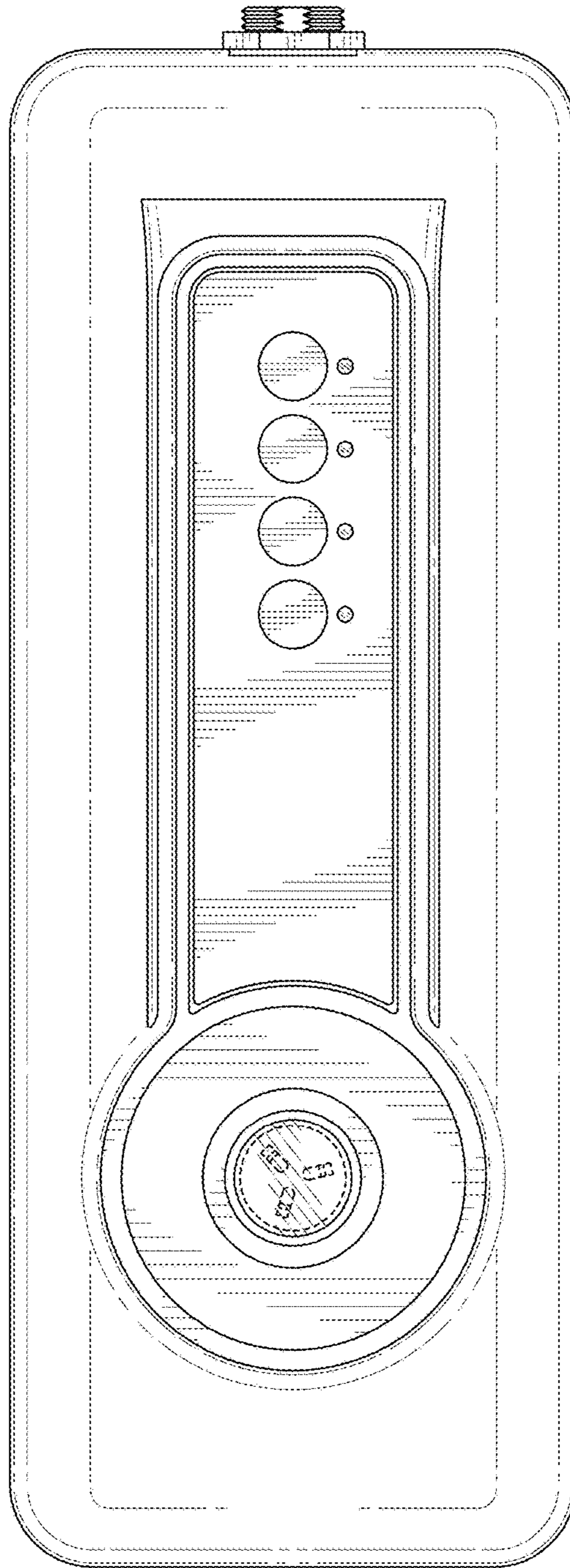


FIG. 7

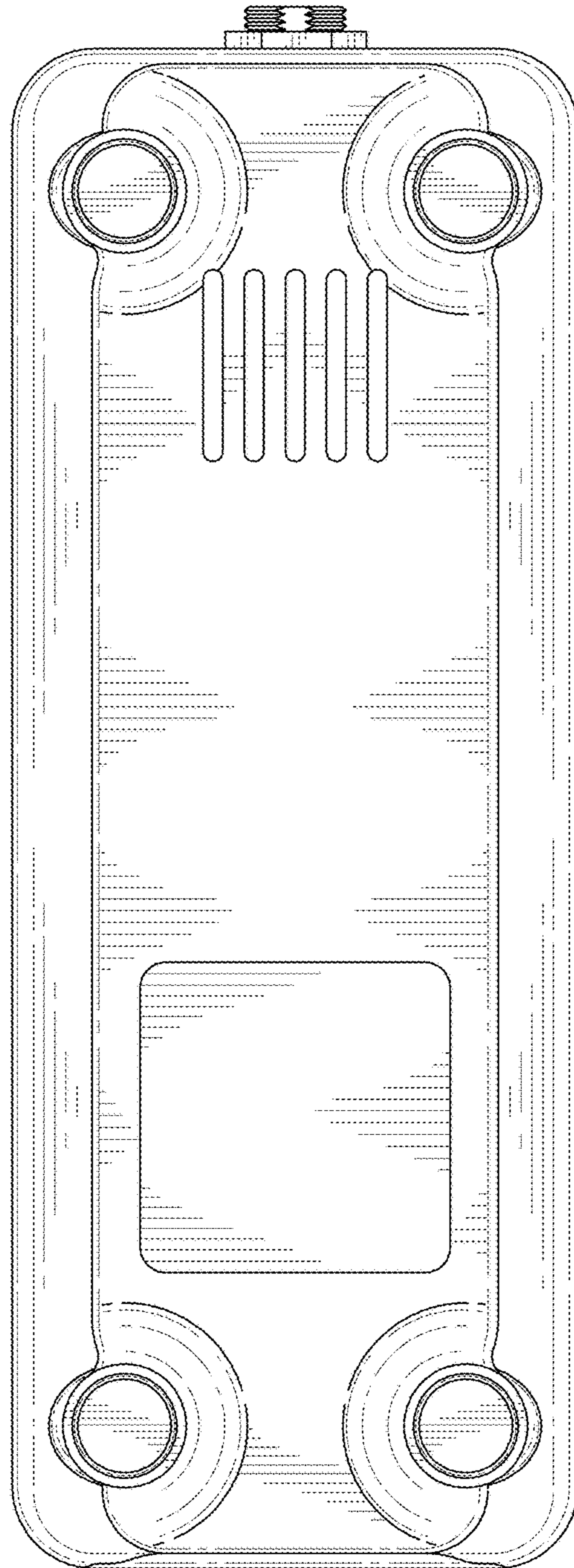


FIG. 8