



US00D850310S

(12) **United States Design Patent**
Kang

(10) **Patent No.:** **US D850,310 S**

(45) **Date of Patent:** **** *Jun. 4, 2019**

(54) **SPECTROPHOTOMETER**

(71) Applicant: **SHIMADZU CORPORATION**, Kyoto (JP)

(72) Inventor: **Hyeri Kang**, Kyoto (JP)

(73) Assignee: **SHIMADZU CORPORATION**, Kyoto (JP)

(*) Notice: This patent is subject to a terminal disclaimer.

(**) Term: **15 Years**

(21) Appl. No.: **29/615,535**

(22) Filed: **Aug. 30, 2017**

(51) **LOC (11) Cl.** **10-04**

(52) **U.S. Cl.**
USPC **D10/81; D24/216**

(58) **Field of Classification Search**

USPC D10/81; D24/216, 232, 233, 234

CPC A01C 21/007; G01J 3/427; G01J 3/433;

G01J 3/00; G01J 3/0202; G01J 3/0205;

G01J 3/0208; G01J 3/021; G01J 3/0213;

G01J 3/0216; G01J 3/0218; G01J 3/0221;

G01J 3/0224; G01J 3/0227; G01J 3/0229;

G01J 3/0232; G01J 3/0235; G01J 3/0237;

G01J 3/024; G01J 3/0243; G01J 3/0245;

G01J 3/0248; G01J 3/0251; G01J 3/0254;

G01J 3/0256; G01J 3/0259; G01J 3/0262;

G01J 3/0264; G01J 3/0267; G01J 3/027;

G01J 3/0272; G01J 3/0275; G01J 3/0278;

G01J 3/0283; G01J 3/0286; G01J 3/0289;

G01J 3/0291; G01J 3/0294; G01J 3/0297;

G01J 3/04; G01J 3/06; G01J 3/08; G01J

3/12; G01J 3/1256; G01J 3/14; G01J

3/16; G01J 3/18; G01J 3/1804; G01J

3/1809; G01J 3/1833; G01J 3/1838; G01J

3/189; G01J 3/1895; G01J 3/20; G01J

3/22; G01J 3/24; G01J 3/26; G01J 3/28;

G01J 3/2803; G01J 3/2823; G01J 3/2846;

G01J 3/2889; G01J 3/30; G01J 3/32;

G01J 3/36; G01J 3/40; G01J 3/42; G01J
3/4338; G01J 3/44; G01J 3/4406; G01J
3/4412; G01J 3/443; G01J 3/447; G01J
3/45; G01J 3/453; G01J 3/4531; G01J
3/4532; G01J 3/4535; G01J 3/4537; G01J
3/457; G01J 3/46; G01J 3/461; G01J
3/462; G01J 3/463; G01J 3/465; G01J
3/50; G01J 3/501; G01J 3/502; G01J
3/504; G01J 3/505; G01J 3/506; G01J
3/508; G01J 3/51; G01J 3/513; G01J
3/52; G01J 3/522; G01J 3/524; G01J
3/526; G01J 3/528; G01J 2003/0281;
G01J 2003/042; G01J 2003/045; G01J
2003/047; G01J 2003/061; G01J
2003/062; G01J 2003/064; G01J
2003/065; G01J 2003/066; G01J
2003/067; G01J 2003/068; G01J
2003/069; G01J 2003/1204; G01J
2003/1208; G01J 2003/1213; G01J
2003/1217; G01J

(Continued)

(56) **References Cited**

U.S. PATENT DOCUMENTS

D378,782 S * 4/1997 LaBarbera D10/81
D381,756 S * 7/1997 Ohnuma D24/231

* cited by examiner

Primary Examiner — Antoine Duval Davis
(74) *Attorney, Agent, or Firm* — JCIPRNET

(57) **CLAIM**

The ornamental design for a spectrophotometer, as shown.

DESCRIPTION

FIG. 1 is a perspective view of a spectrophotometer showing my new design;

FIG. 2 is a front view thereof;

FIG. 3 is a rear view thereof;

FIG. 4 is a left side view thereof;

FIG. 5 is a right side view thereof;

(Continued)

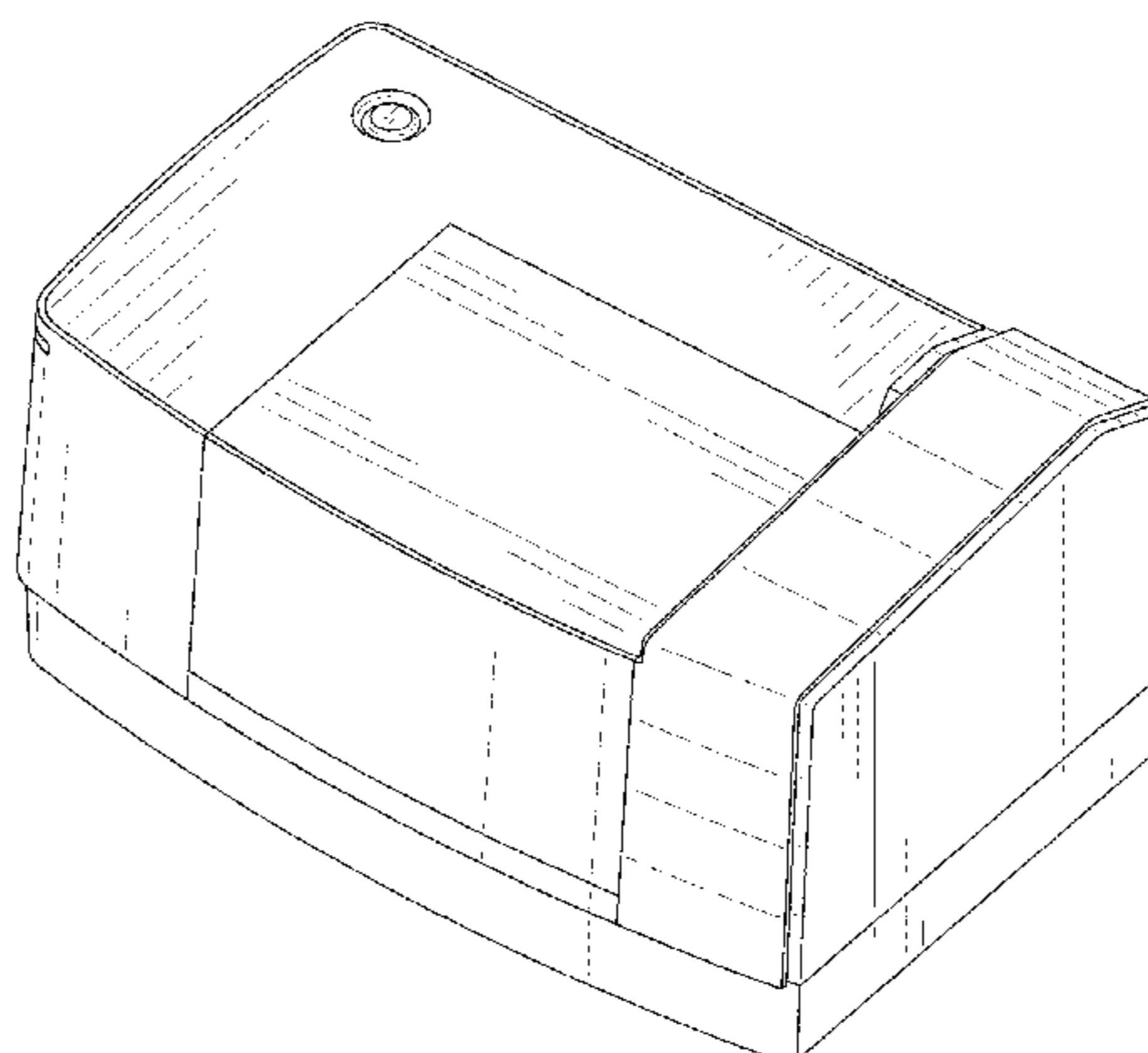


FIG. 6 is a top view thereof; and,
FIG. 7 is a bottom view thereof.

1 Claim, 5 Drawing Sheets

(58) Field of Classification Search

CPC 2003/1221; G01J 2003/1226; G01J
2003/123; G01J 2003/1234; G01J
2003/1239; G01J 2003/1243; G01J
2003/1247; G01J 2003/1252; G01J
2003/126; G01J 2003/1265; G01J
2003/1269; G01J 2003/1273; G01J
2003/1278; G01J 2003/1282; G01J
2003/1286; G01J 2003/1291; G01J
2003/1295; G01J 2003/145; G01J
2003/1814; G01J 2003/1819; G01J
2003/1823; G01J 2003/1828; G01J
2003/1842; G01J 2003/1847; G01J
2003/1852; G01J 2003/1857; G01J
2003/1861; G01J 2003/1866; G01J
2003/1871; G01J 2003/1876; G01J
2003/188; G01J 2003/1885; G01J
2003/262; G01J 2003/26; G01J 2003/267;
G01J 2003/2806; G01J 2003/2809; G01J
2003/2813; G01J 2003/2816; G01J
2003/282; G01J 2003/2826; G01J
2003/283; G01J 2003/2833; G01J
2003/2836; G01J 2003/284; G01J

2003/2843; G01J 2003/285; G01J
2003/2853; G01J 2003/2856; G01J
2003/2859; G01J 2003/2863; G01J
2003/2866; G01J 2003/2869; G01J
2003/2873; G01J 2003/2876; G01J
2003/2879; G01J 2003/2883; G01J
2003/2886; G01J 2003/2893; G01J
2003/2896; G01J 2003/323; G01J
2003/326; G01J 2003/421; G01J
2003/423; G01J 2003/425; G01J
2003/4275; G01J 2003/4332; G01J
2003/4334; G01J 2003/4336; G01J
2003/4418; G01J 2003/4424; G01J
2003/4435; G01J 2003/451; G01J
2003/452; G01J 2003/4534; G01J
2003/4538; G01J 2003/466; G01J
2003/467; G01J 2003/468; G01J
2003/503; G01J 2003/507; G01J
2003/516; G01N 21/3563; G01N
21/4738; G01N 2021/3181; G01N
2021/0627; G01N 2021/0691; G01N
2021/0694; G01N 21/3155; G06F 17/14;
G01R 23/16; G01R 23/163; G01R
23/165; G01R 23/167; G01R 23/17;
G01R 23/173; G01R 23/175; G01R
23/177; G01R 23/18; G01R 23/20; G01R
23/005; H04N 17/00

See application file for complete search history.

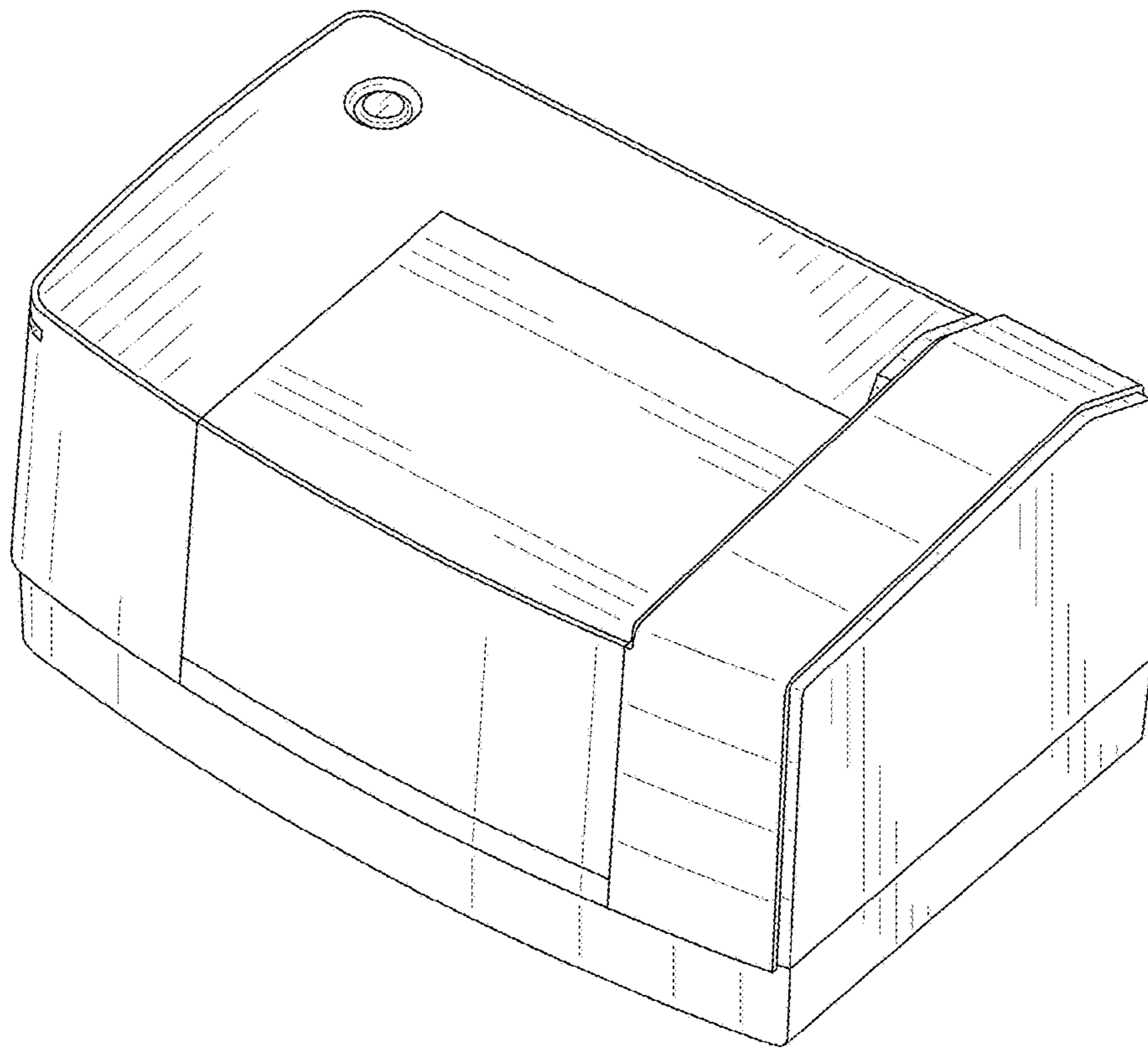


FIG. 1

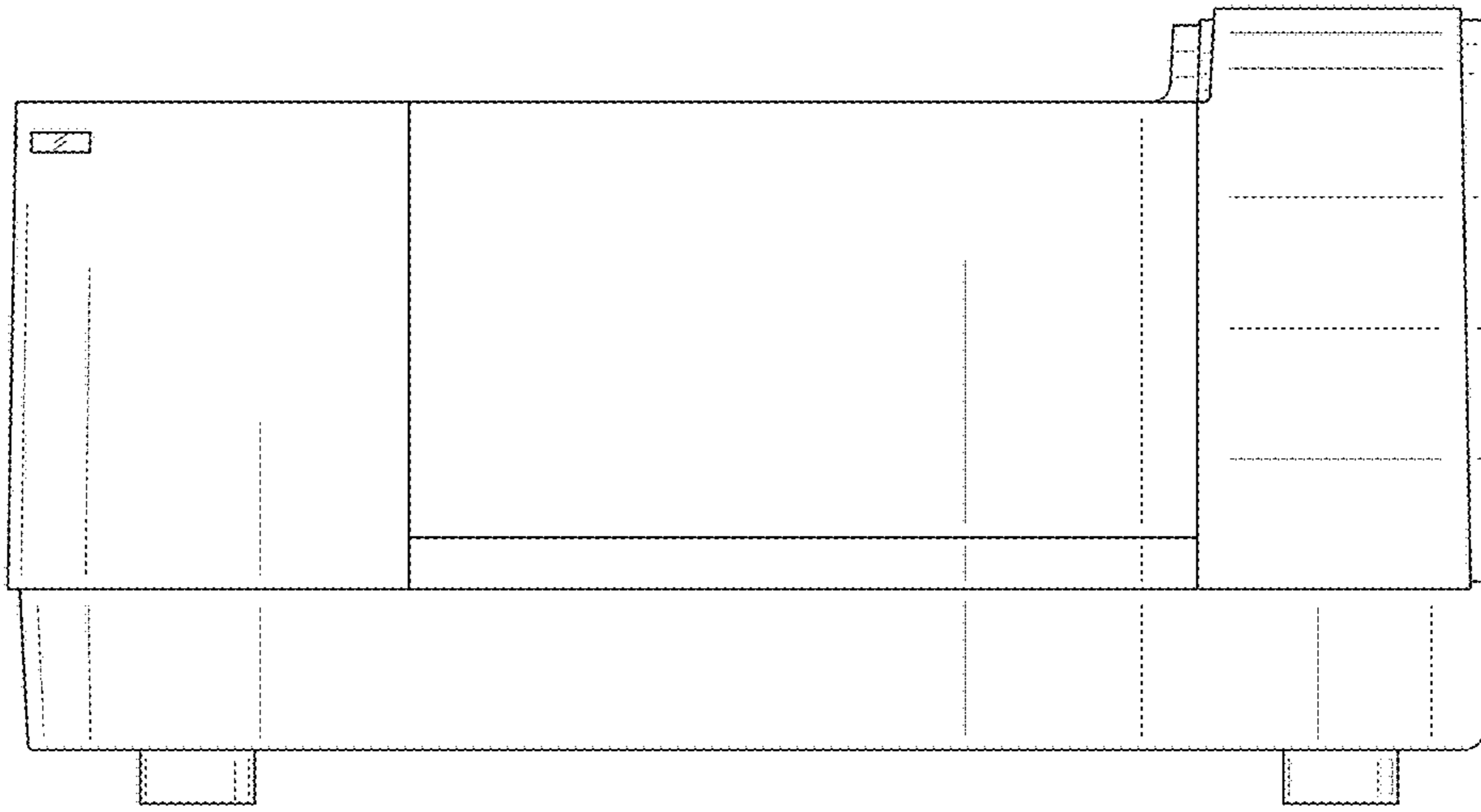


FIG. 2

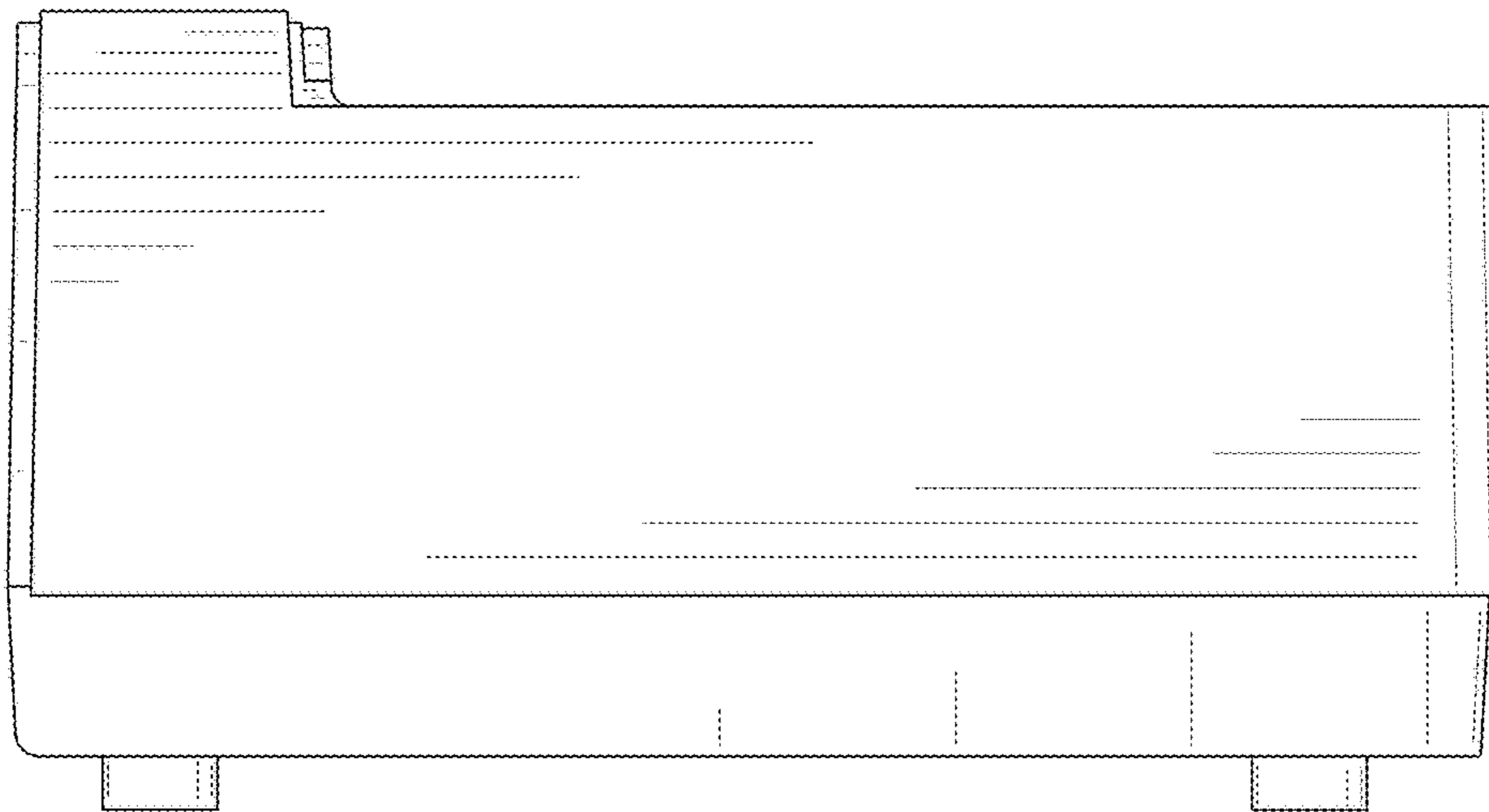


FIG. 3

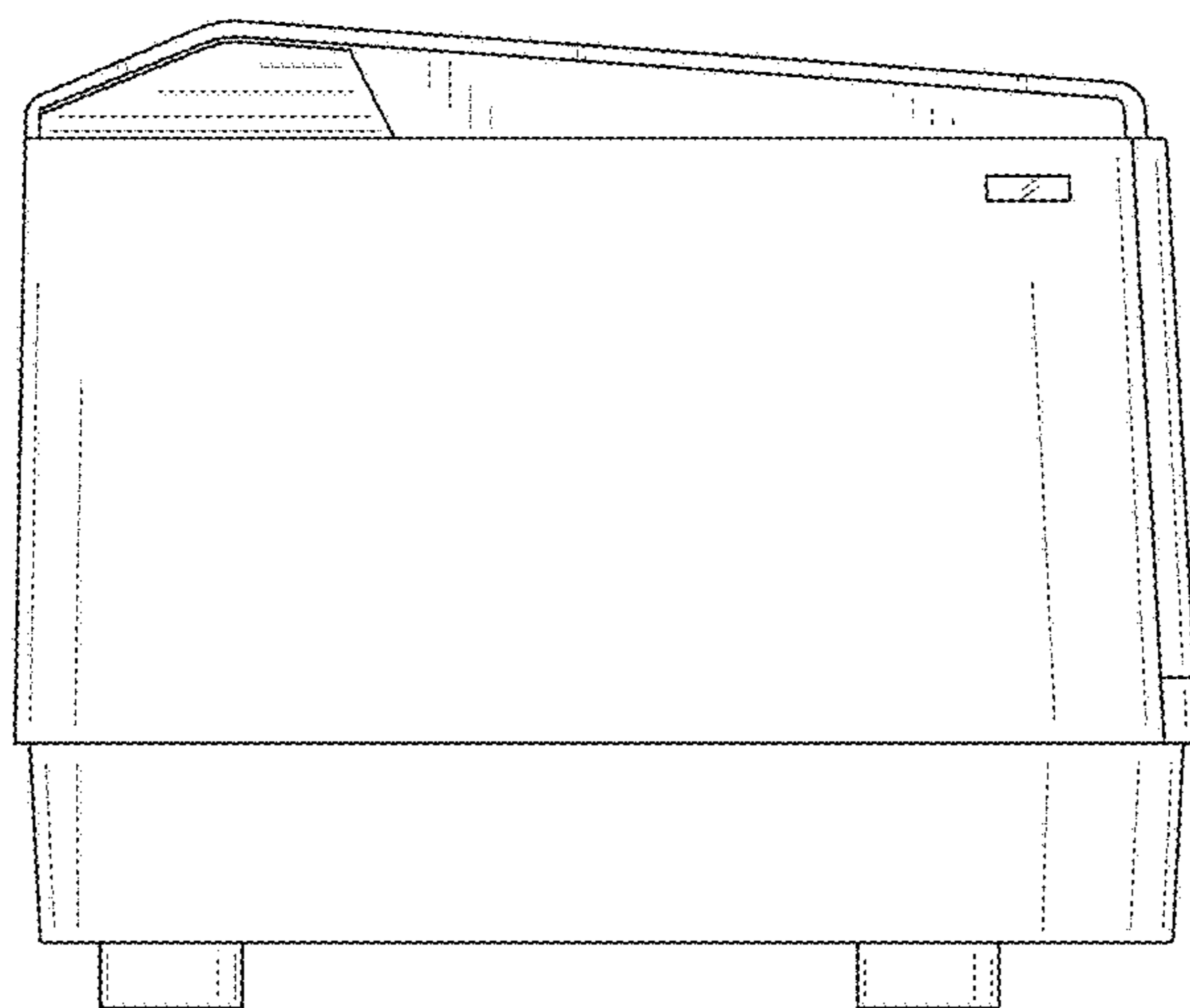


FIG. 4

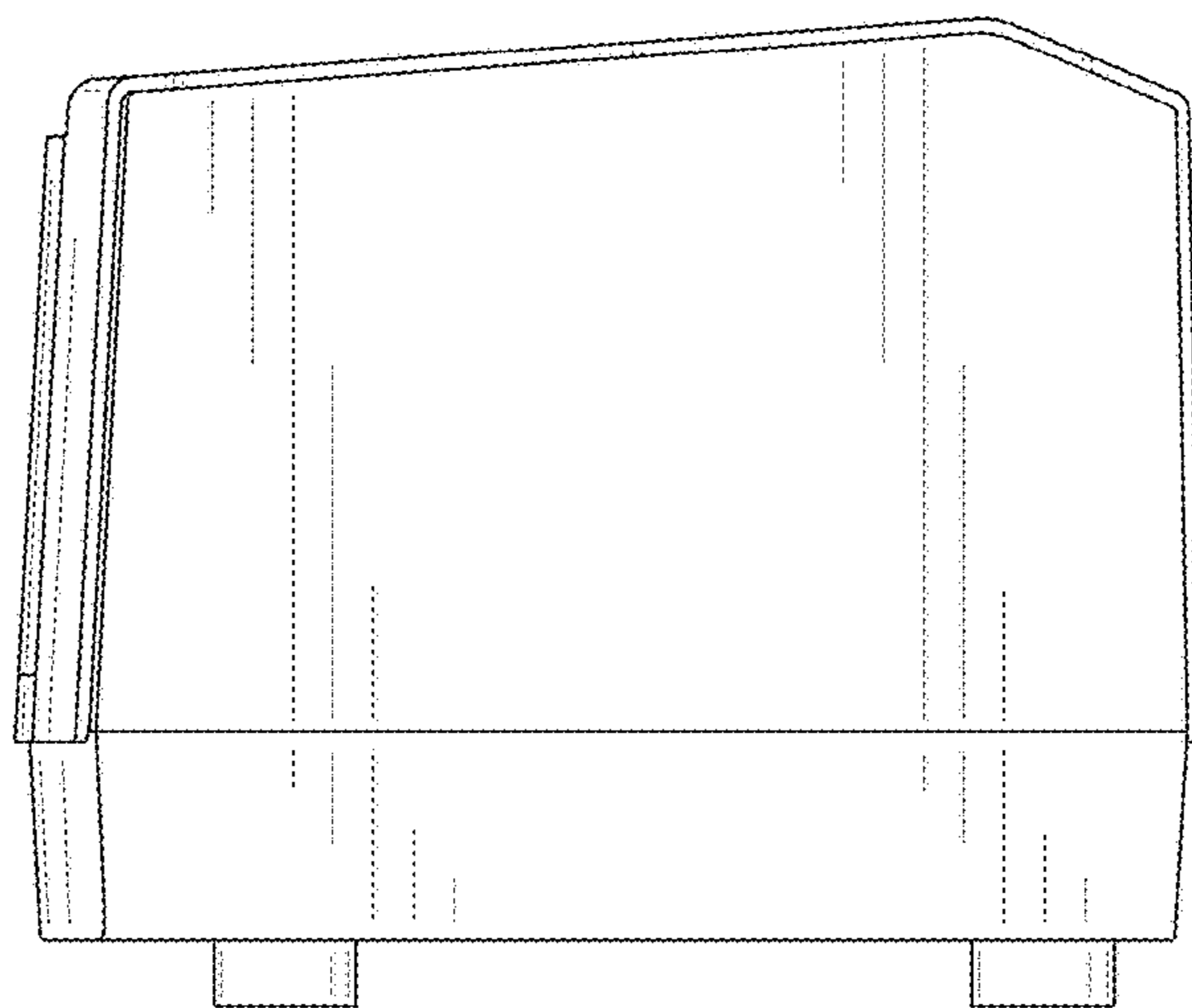


FIG. 5

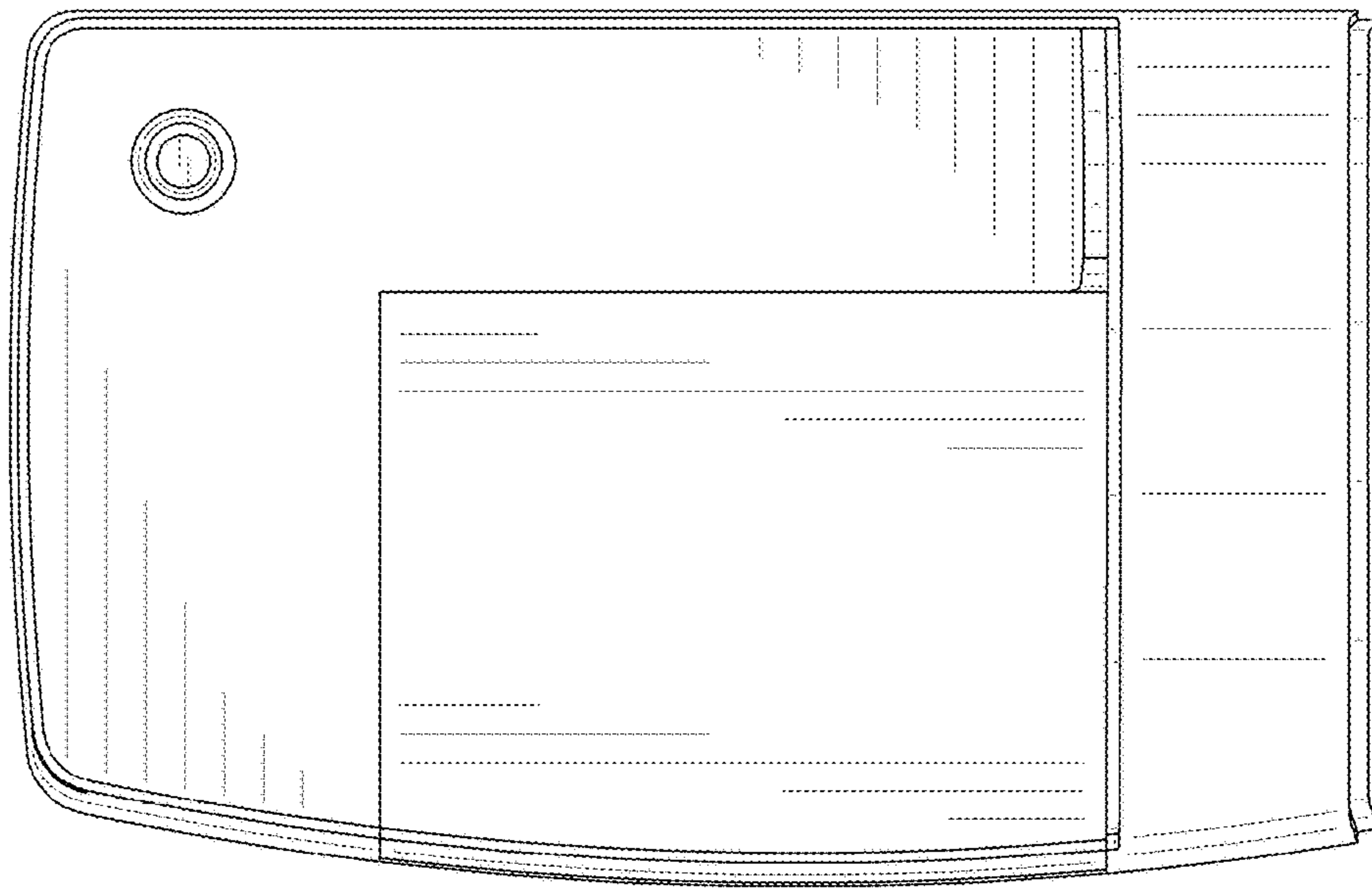


FIG. 6

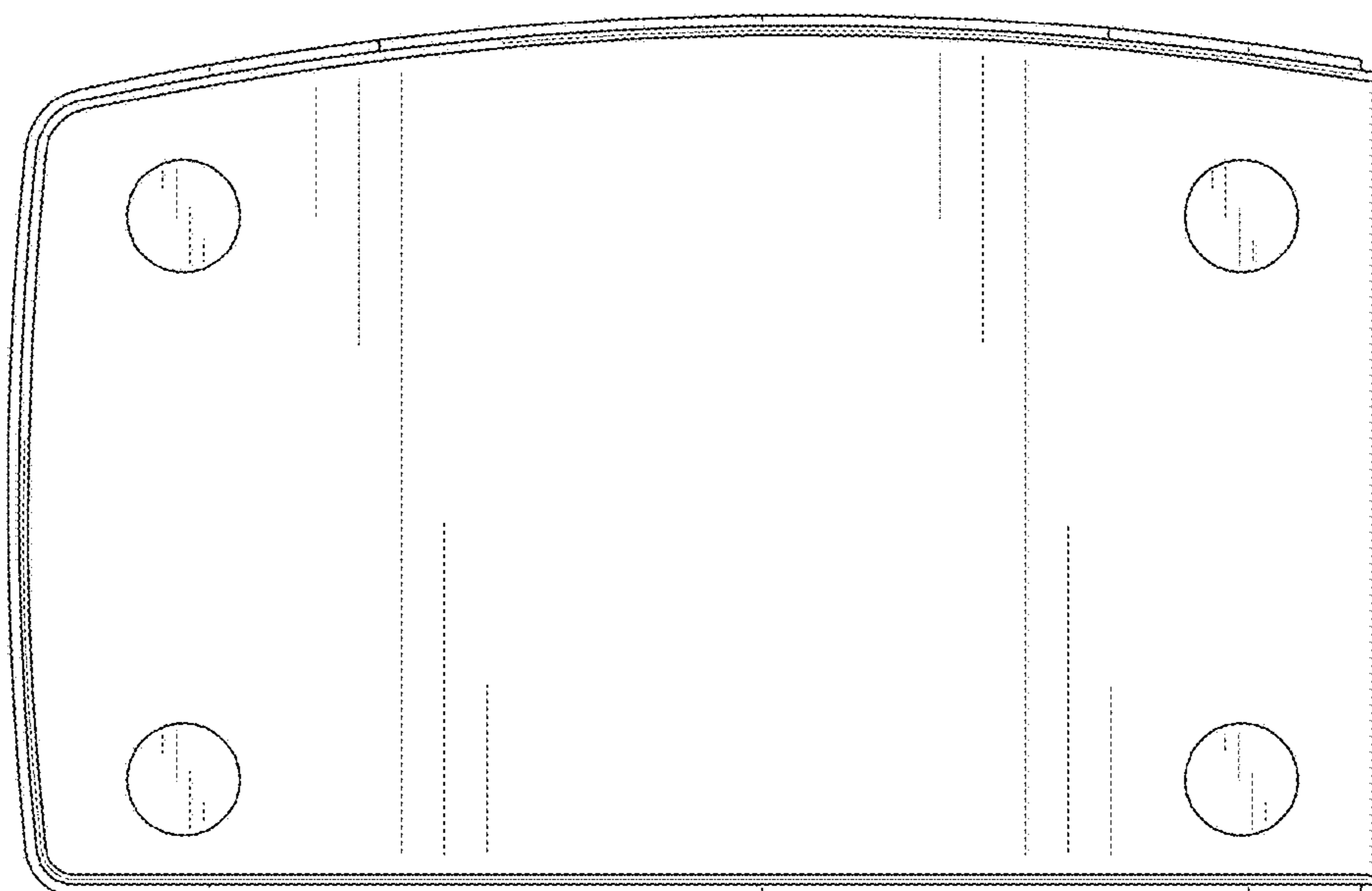


FIG. 7