

US00D850308S

(12) **United States Design Patent**
Yun

(10) **Patent No.:** **US D850,308 S**
(45) **Date of Patent:** **** Jun. 4, 2019**

(54) **WIFI BORESCOPE INSPECTION CAMERA**

Primary Examiner — Antoine Duval Davis

(71) Applicant: **Shenzhen Deepsea Voyage Investment Co., LTD.**, Shenzhen, Guangdong (CN)

(74) *Attorney, Agent, or Firm* — Raymond Y. Chan; David and Raymond Patent Firm

(72) Inventor: **Ronghai Yun**, Shenzhen (CN)

(57) **CLAIM**

(73) Assignee: **Shenzhen Deepsea Voyage Investment Co., Ltd.**, Shenzhen, Guangdong (CN)

The ornamental design for a Wifi borescope inspection camera, as shown and described.

(**) Term: **15 Years**

DESCRIPTION

(21) Appl. No.: **29/628,845**

(22) Filed: **Dec. 7, 2017**

(51) **LOC (11) Cl.** **10-04**

(52) **U.S. Cl.**
USPC **D10/78; D10/57; D16/130; D24/133**

(58) **Field of Classification Search**
USPC **D10/47, 57, 78; D16/130; D24/133**
CPC **G02B 23/16; G02B 23/24; G02B 23/2476; G02B 23/26**

See application file for complete search history.

FIG. 1 is a perspective view of the Wifi borescope inspection camera showing my new design;
FIG. 2 is a front view of the Wifi borescope inspection camera;
FIG. 3 is a rear view of the Wifi borescope inspection camera;
FIG. 4 is a left view of the Wifi borescope inspection camera;
FIG. 5 is a right view of the Wifi borescope inspection camera;
FIG. 6 is a top view of the Wifi borescope inspection camera;
FIG. 7 is a bottom view of the Wifi borescope inspection camera; and,
FIG. 8 is a perspective view illustrating the Wifi borescope inspection camera in an open status.

The surface(s) or poration(s) of the article shown in broken lines in the drawings being for illustrative purpose only and forming no part of the claimed design.

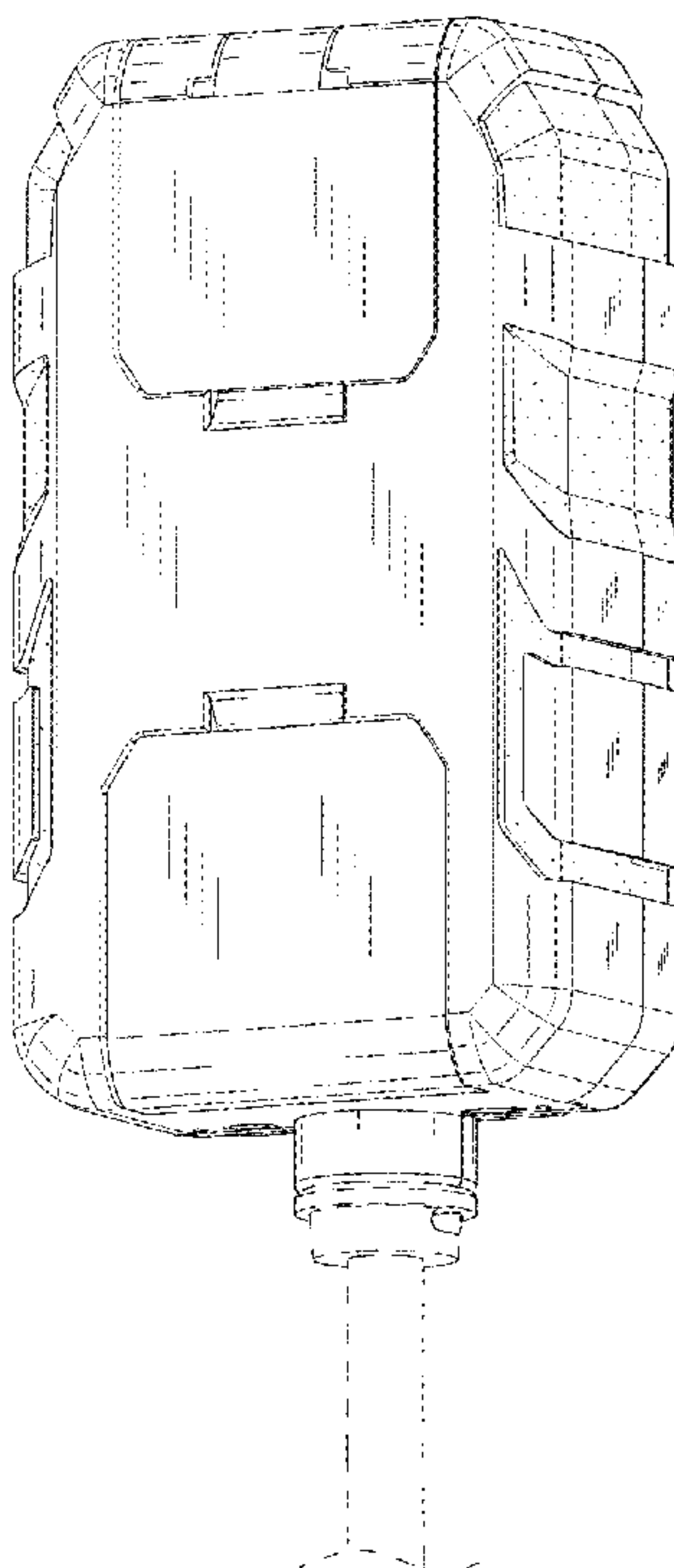
(56) **References Cited**

U.S. PATENT DOCUMENTS

6,598,433 B1 * 7/2003 Malvasio E05B 73/00
70/18
9,549,104 B1 * 1/2017 Basso H04N 5/2252

* cited by examiner

1 Claim, 8 Drawing Sheets



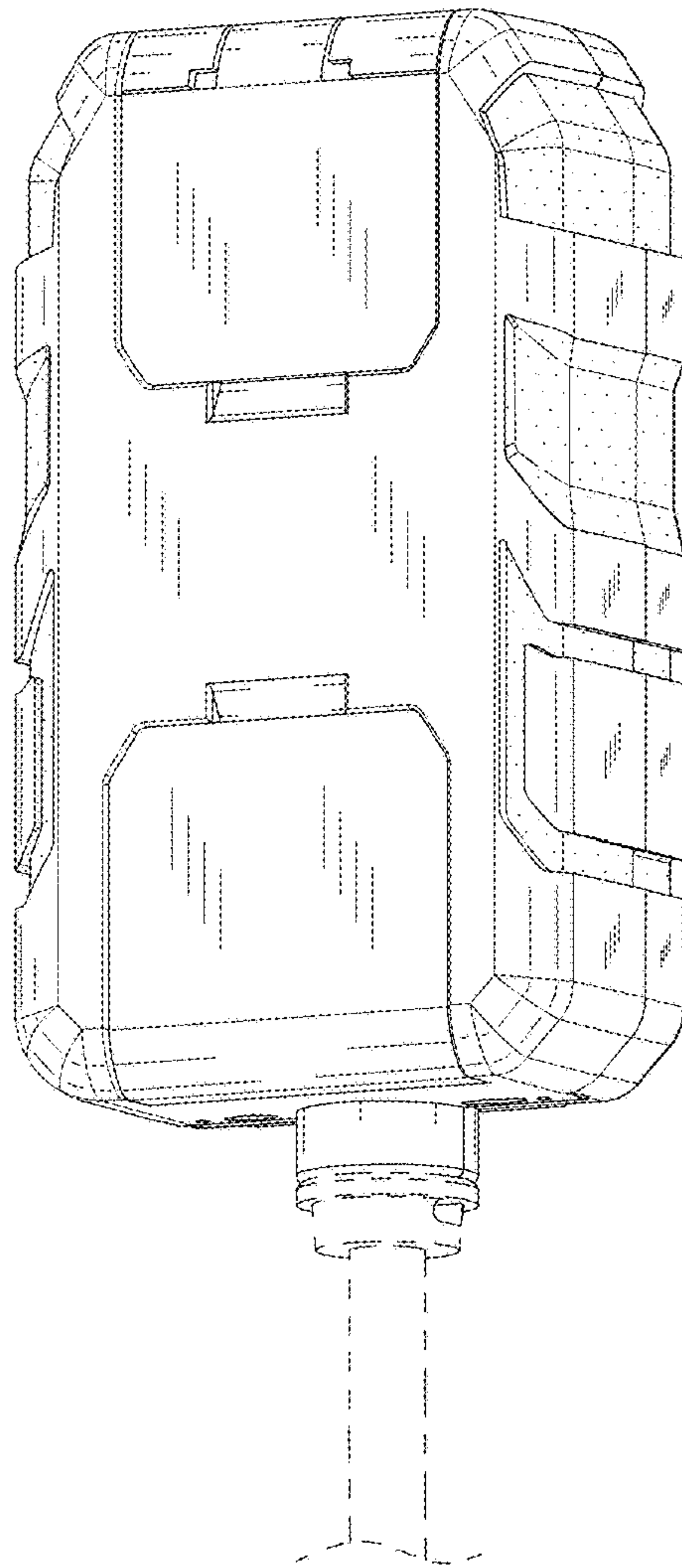


FIG.1

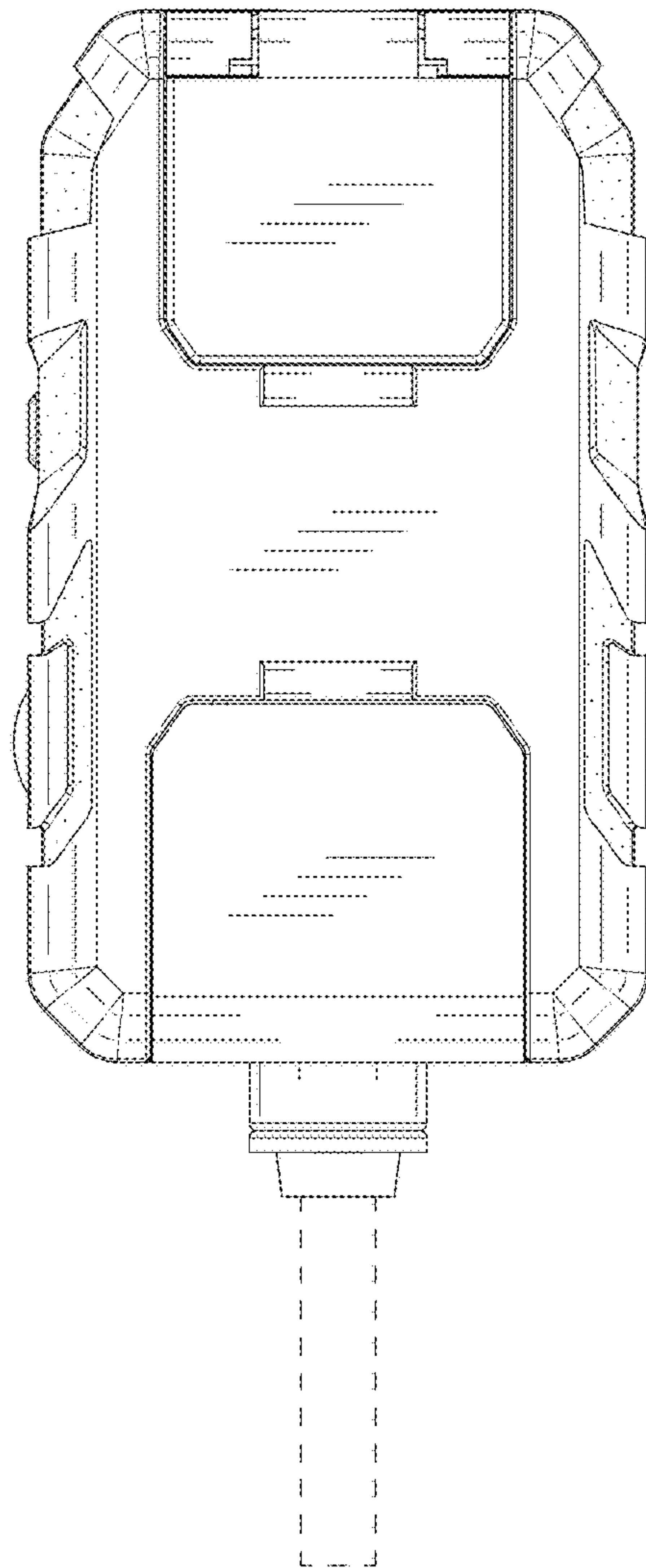


FIG.2

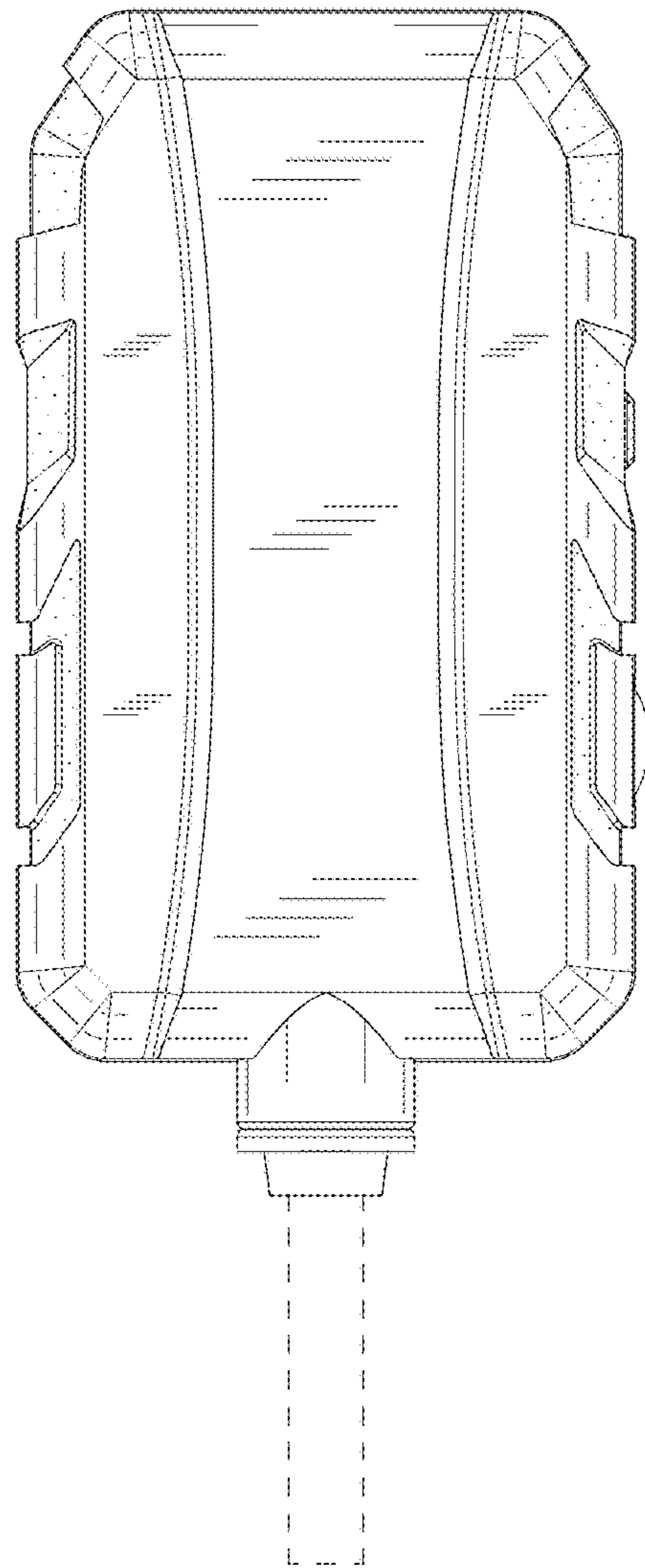


FIG.3

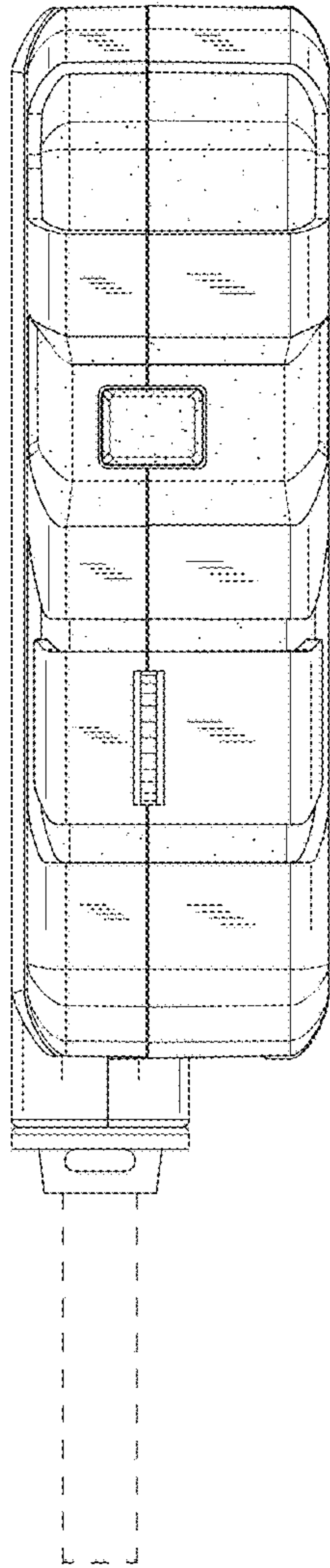


FIG.4

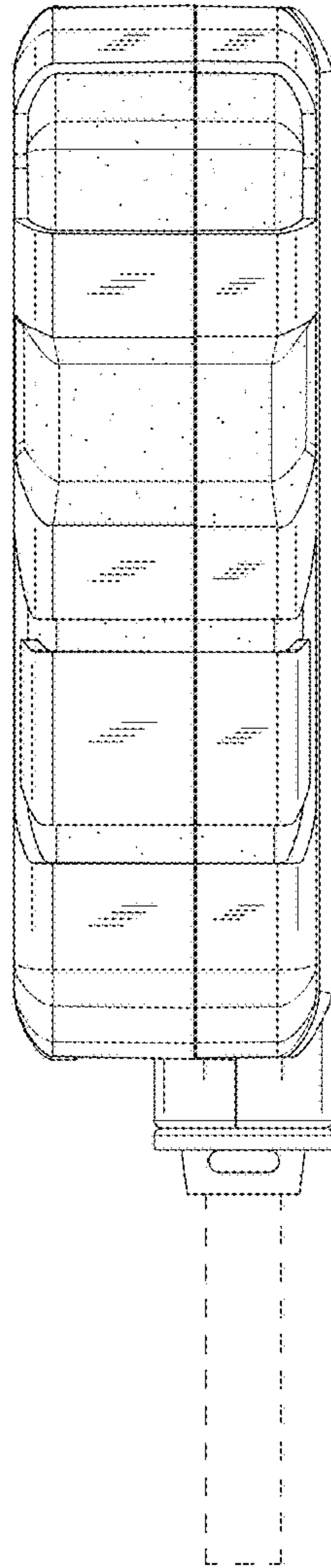


FIG.5

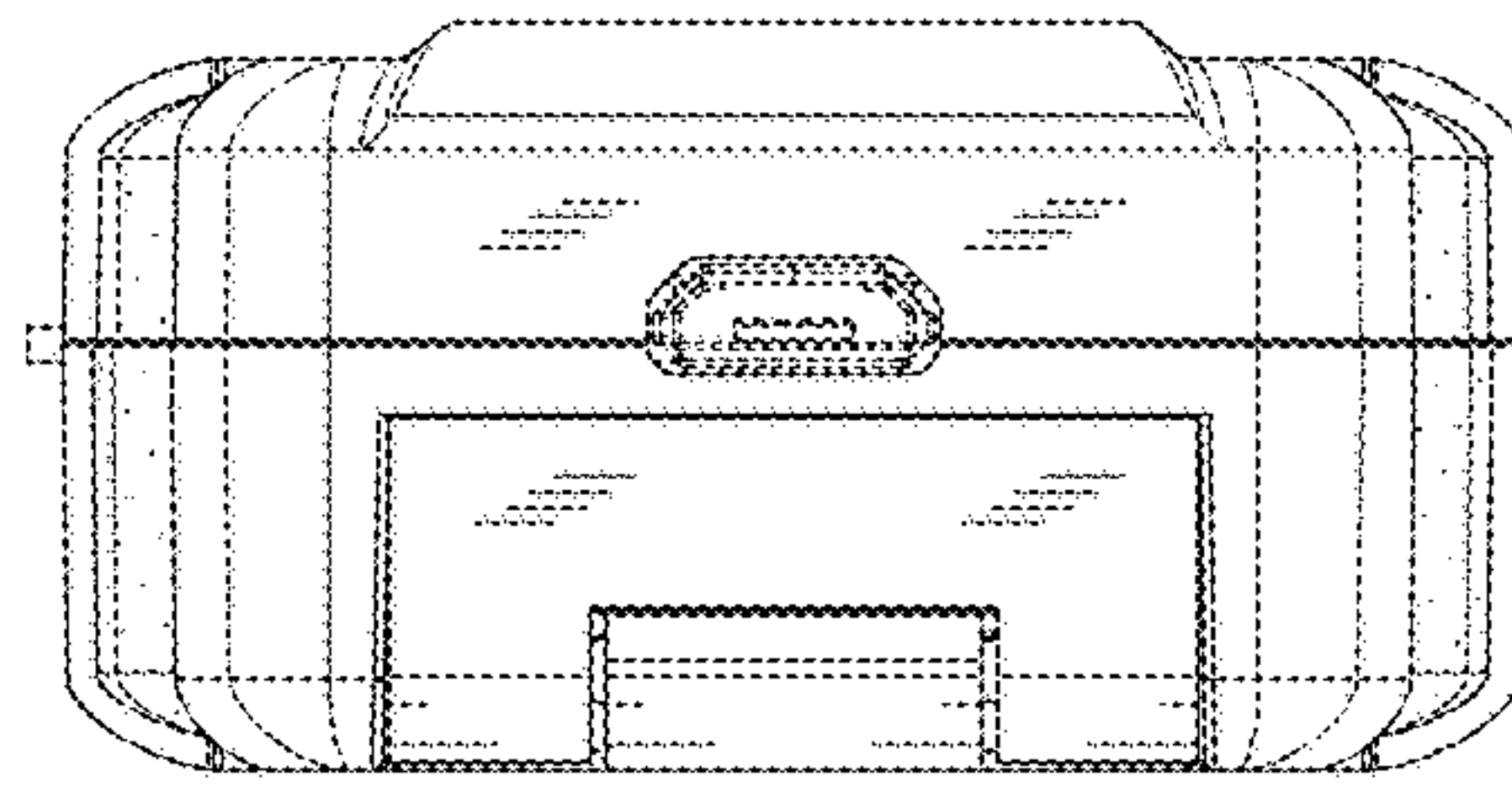


FIG.6

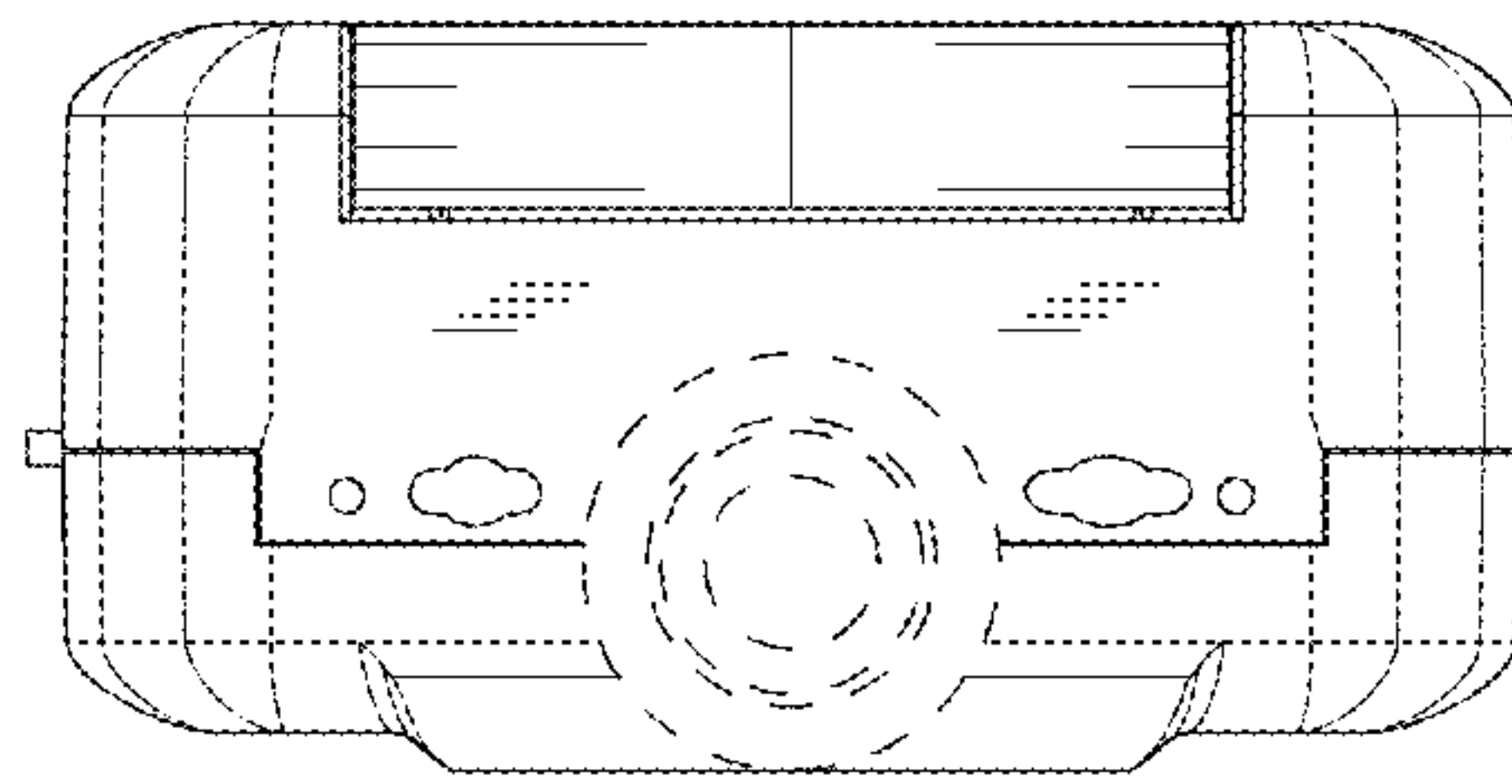


FIG.7

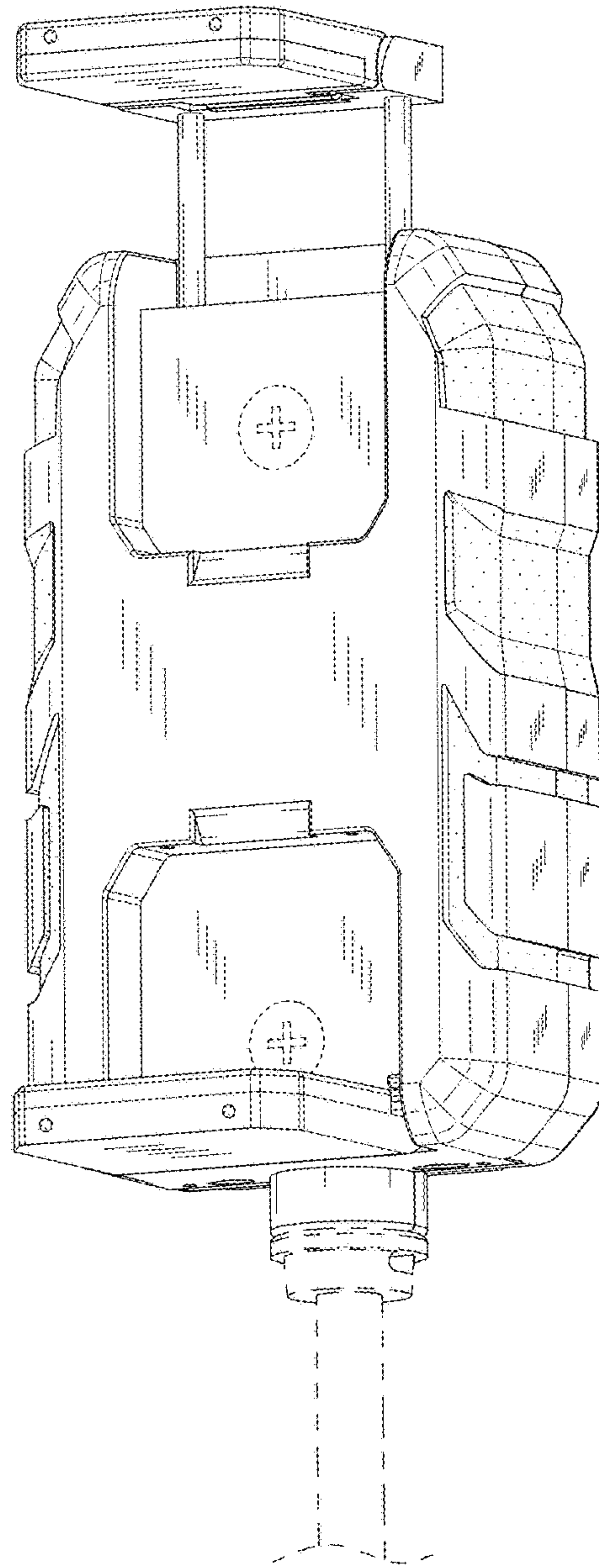


FIG.8