



US00D850307S

(12) **United States Design Patent**
Souillard

(10) **Patent No.:** **US D850,307 S**

(45) **Date of Patent:** **** Jun. 4, 2019**

(54) **APPARATUS FOR MEASURING ELECTRICAL PARAMETERS**

D362,845 S * 10/1995 Ito D10/75

* cited by examiner

(71) Applicant: **Chauvin Arnoux**, Paris (FR)

Primary Examiner — Antoine Duval Davis

(72) Inventor: **Alexandre Souillard**, Paris (FR)

(74) *Attorney, Agent, or Firm* — BakerHostetler

(73) Assignee: **CHAUVIN ARNOUX**, Paris (FR)

(**) Term: **15 Years**

(57) **CLAIM**

(21) Appl. No.: **29/623,280**

I claim the ornamental design for an apparatus for measuring electrical parameters, as shown and described.

(22) Filed: **Oct. 24, 2017**

(51) **LOC (11) Cl.** **10-04**

DESCRIPTION

(52) **U.S. Cl.**
USPC **D10/75; D10/76**

(58) **Field of Classification Search**
USPC D10/75, 76
CPC .. G01R 31/025; G01R 31/04; G01R 19/0007;
G01R 27/20; G06F 17/12; H02H 3/00;
H02H 9/08

FIG. 1 is a top perspective view of the apparatus for measuring electrical parameters showing my new design; FIG. 2 is a front side elevation view thereof; FIG. 3 is a rear side elevation view thereof; FIG. 4 is a left side elevation view thereof; FIG. 5 is a right side elevation view thereof; FIG. 6 is a top plan view thereof; and, FIG. 7 is a bottom plan view thereof.

See application file for complete search history.

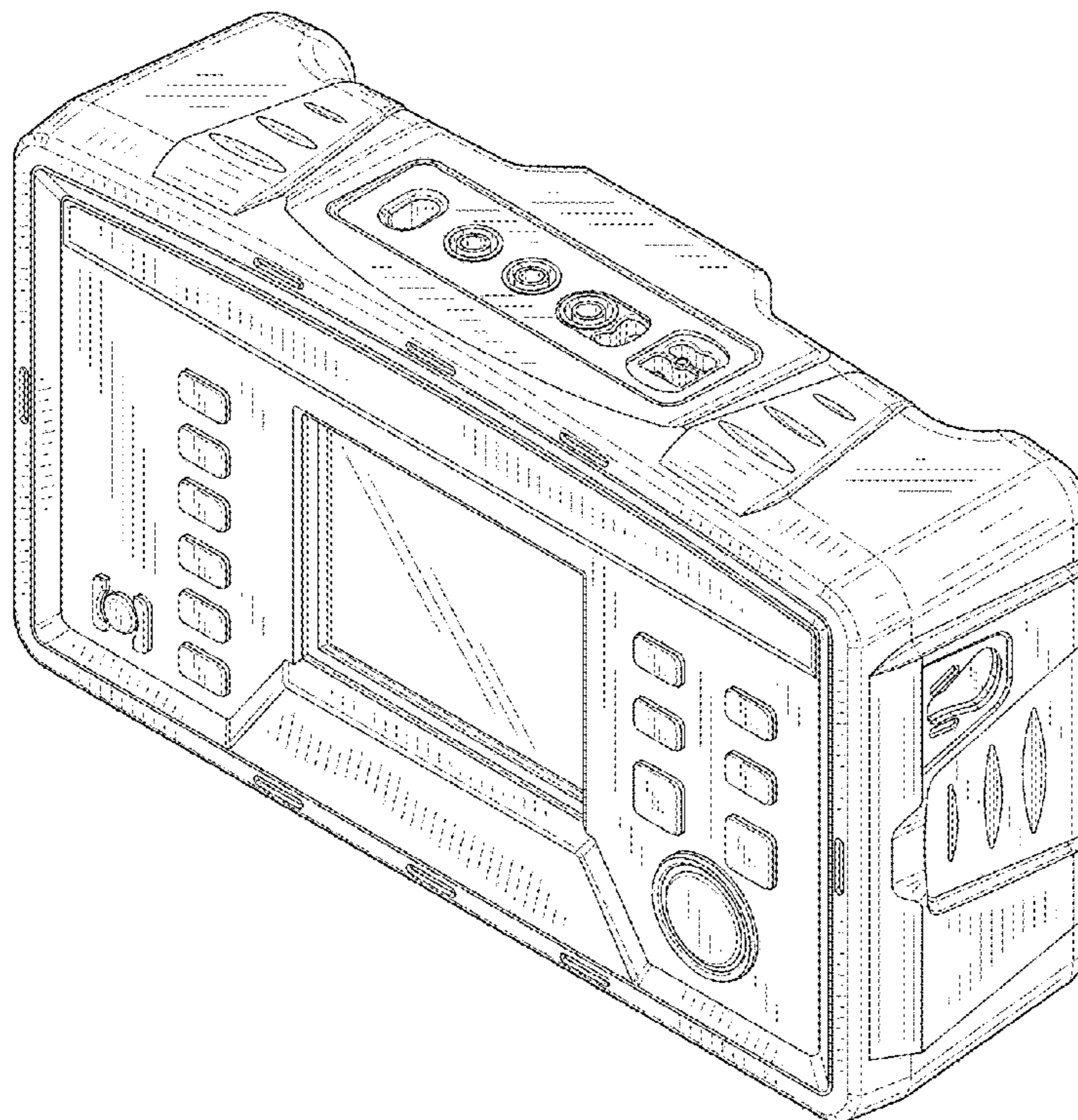
The broken lines in the figures are for the purpose of illustrating portions of the design and form no part of the claim.

(56) **References Cited**

U.S. PATENT DOCUMENTS

D335,822 S * 5/1993 Yamamuro D10/65

1 Claim, 6 Drawing Sheets



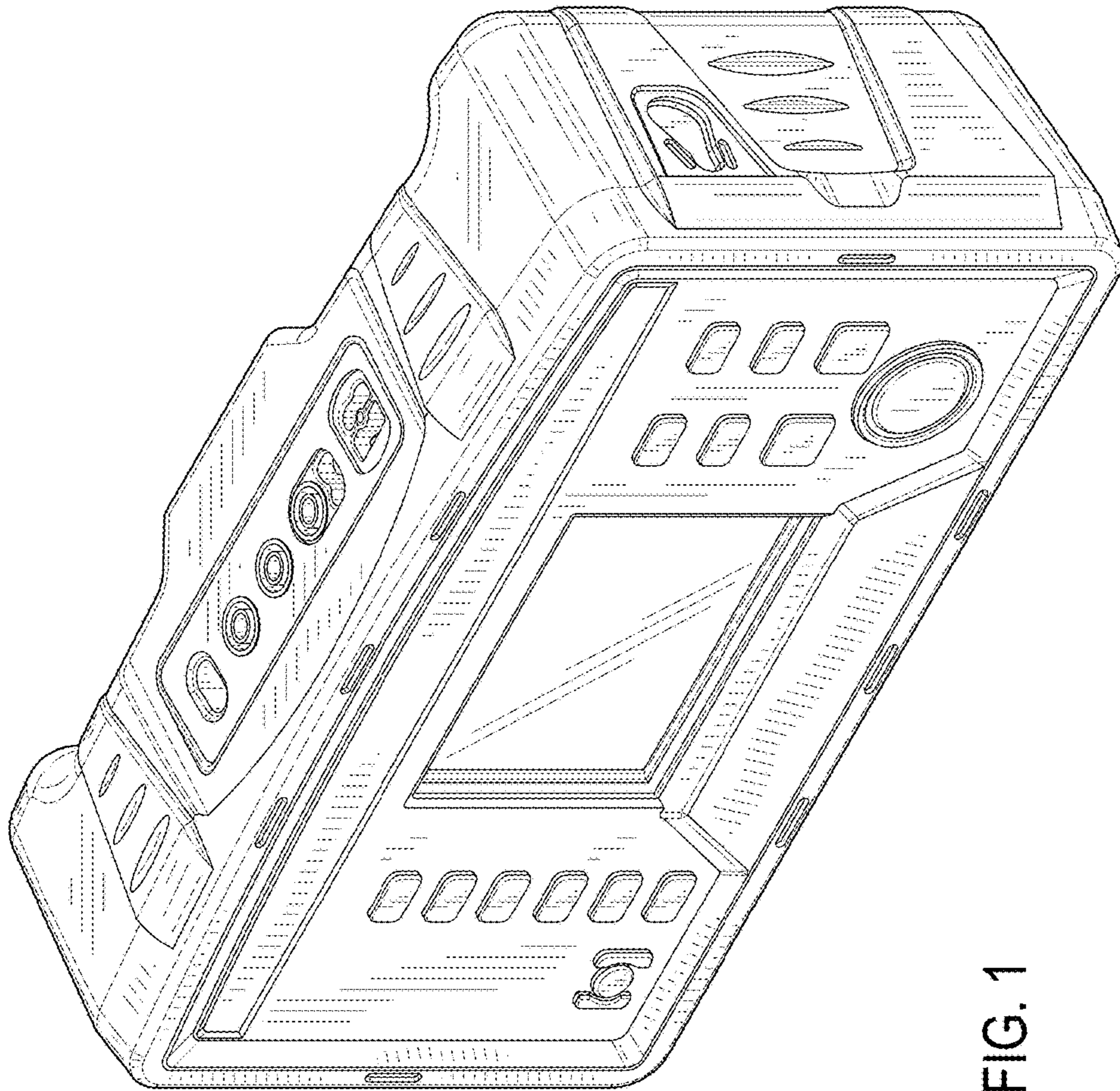


FIG. 1

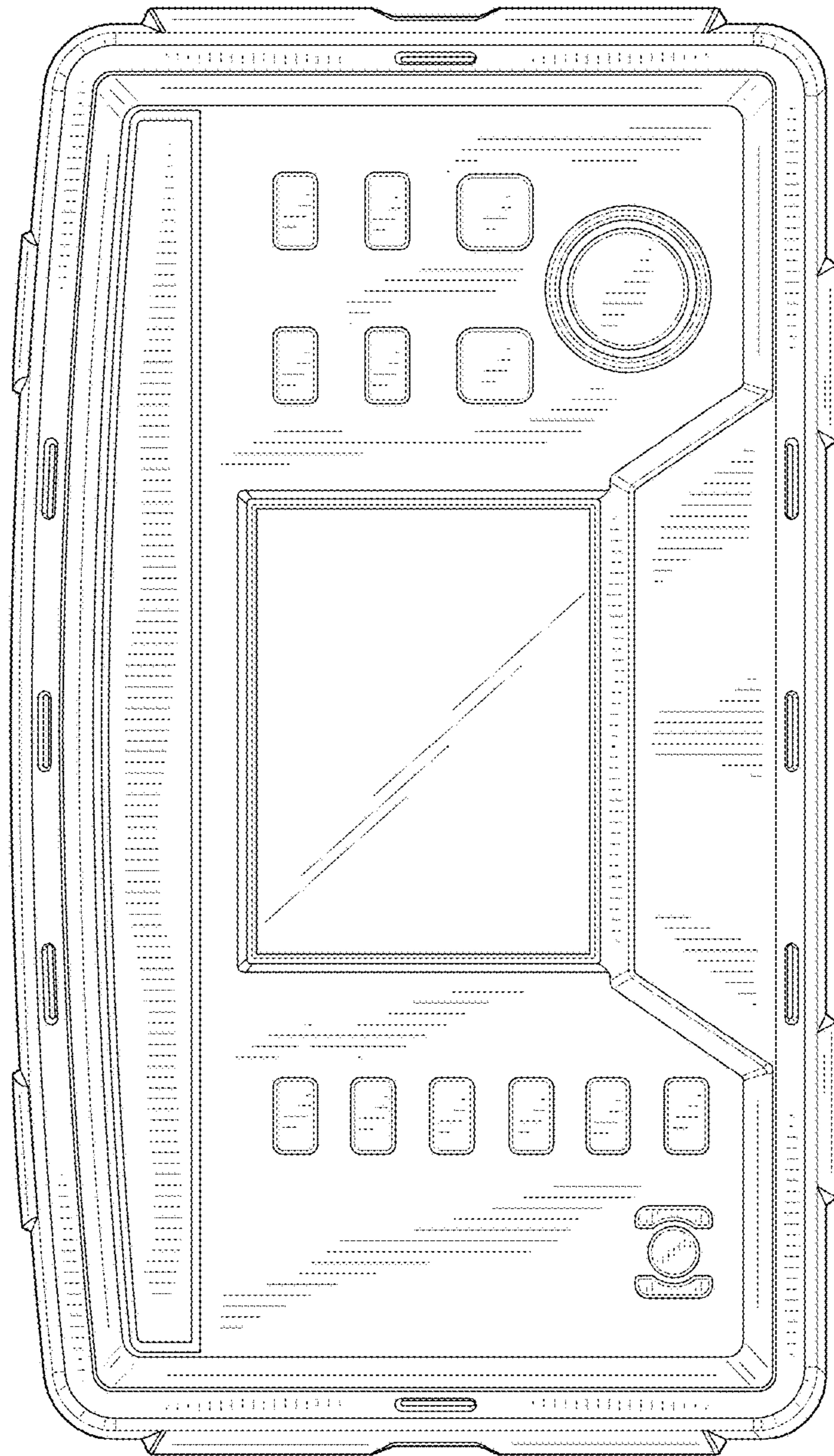


FIG. 2

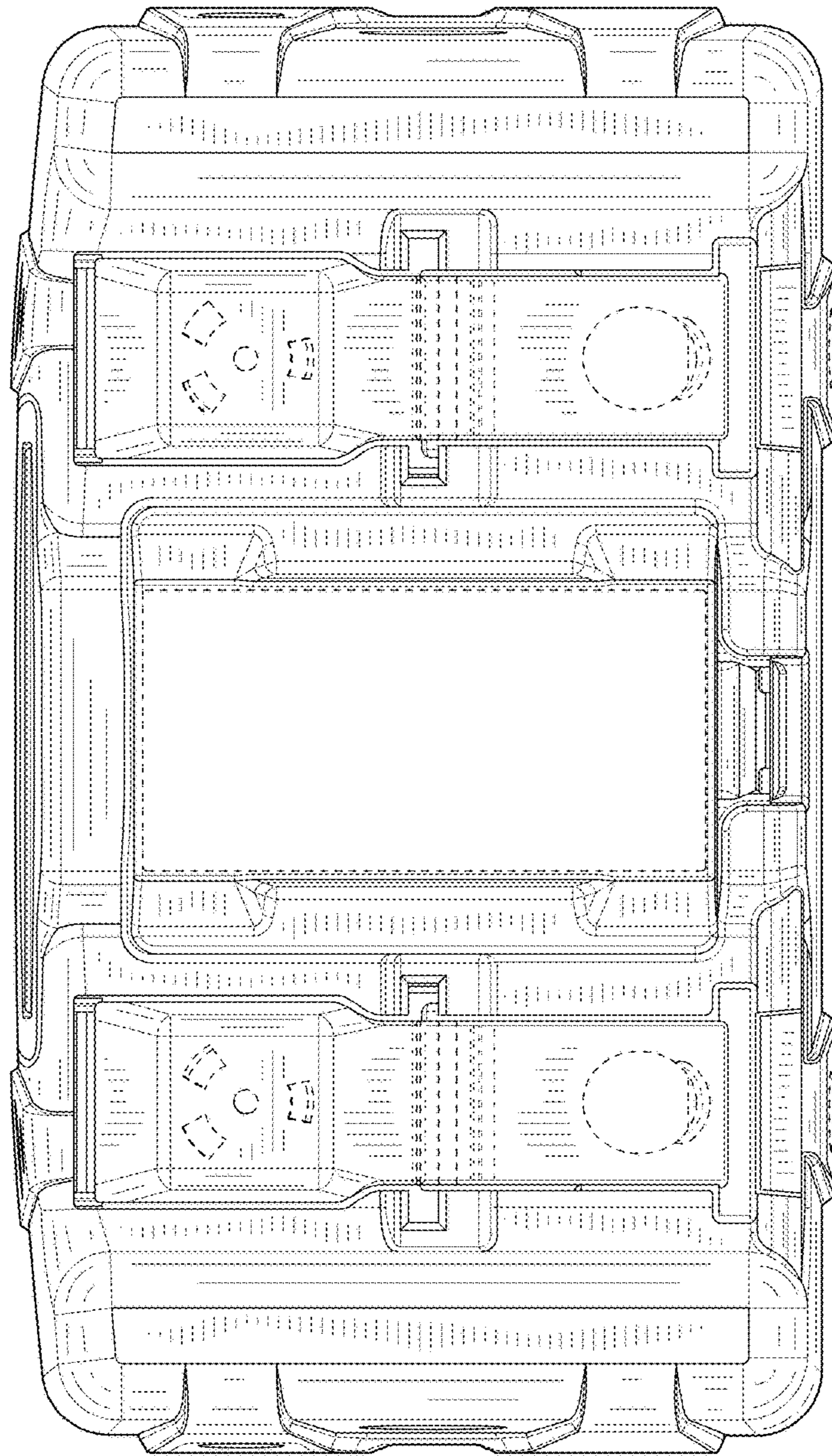


FIG. 3

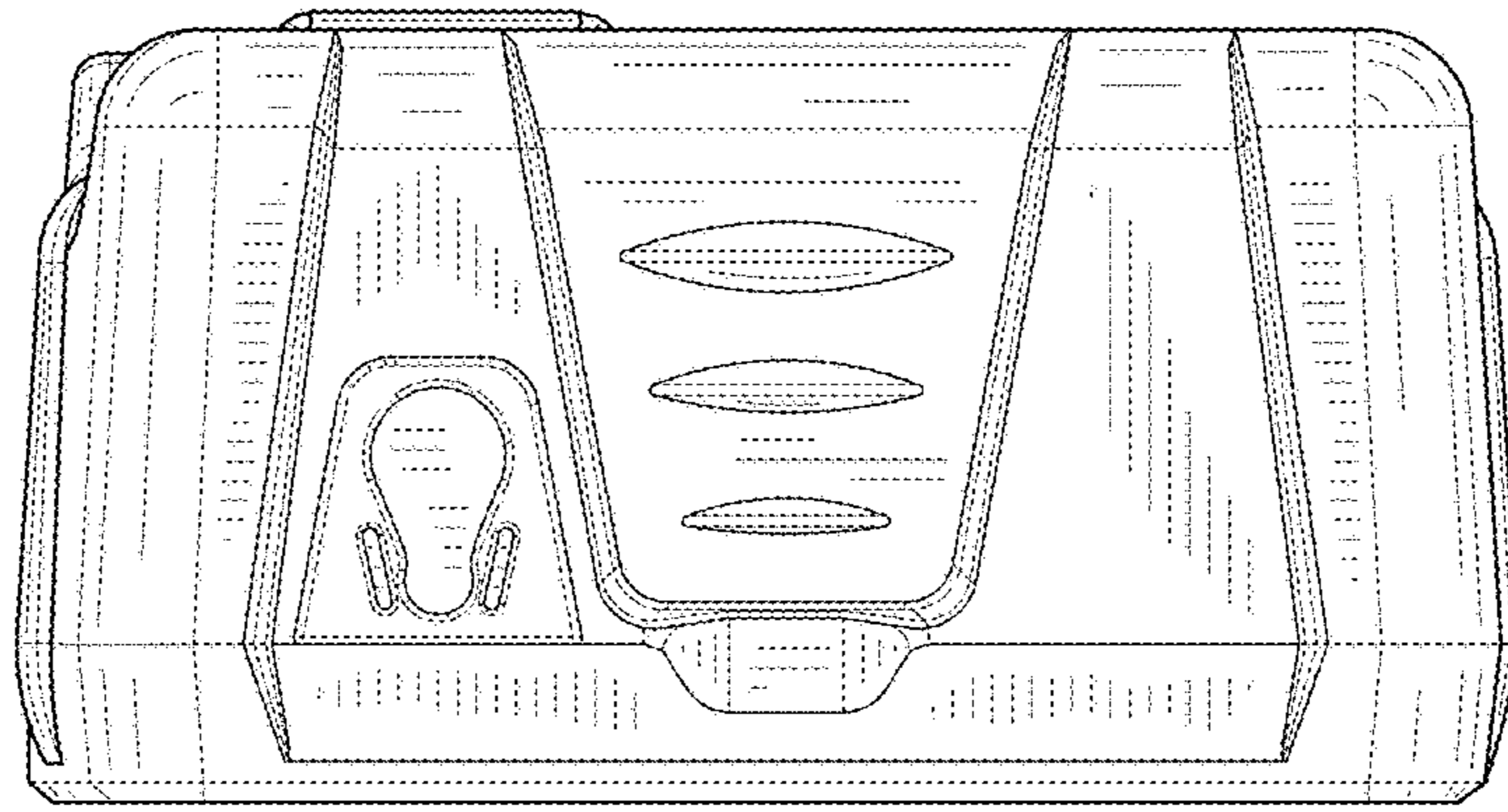


FIG. 5

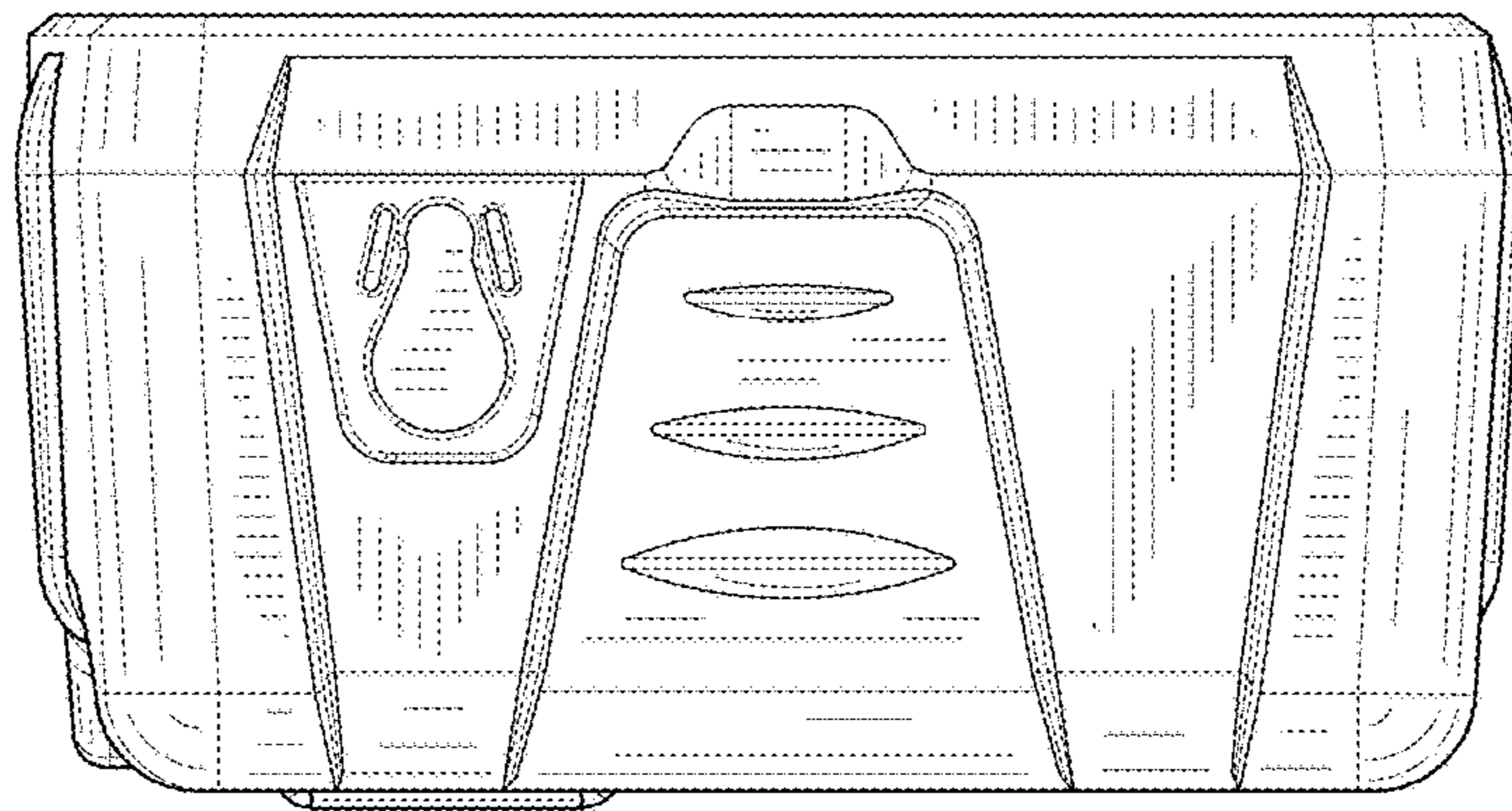


FIG. 4

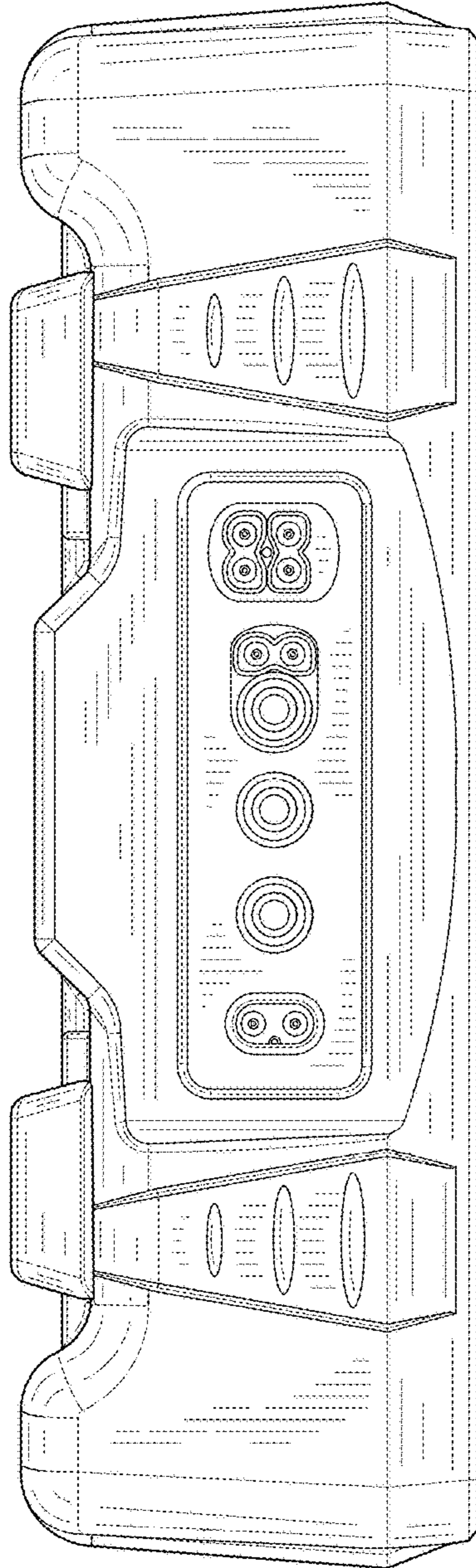


FIG. 6

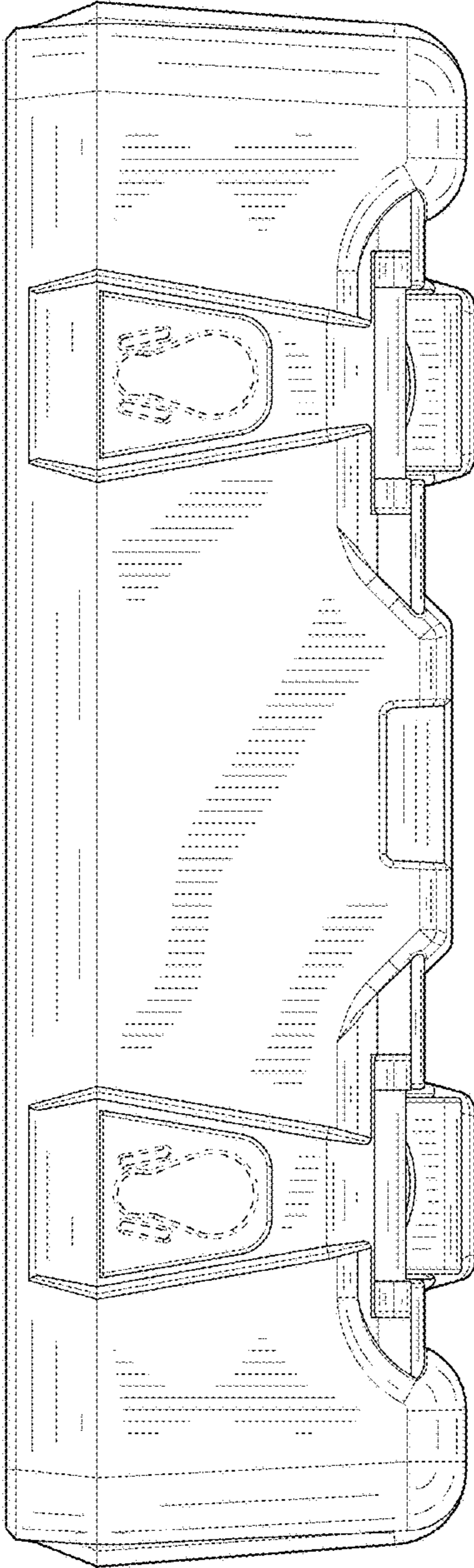


FIG. 7