

US00D850303S

(12) **United States Design Patent**
Wang et al.

(10) **Patent No.:** **US D850,303 S**
(45) **Date of Patent:** **** Jun. 4, 2019**

(54) **LASER DISTANCE MEASURING DEVICE**

(71) Applicants: **Hangzhou United Tools Co., Ltd.**,
Hangzhou, Zhejiang Province (CN);
Hangzhou Great Star Industrial Co., Ltd.,
Hangzhou, Zhejiang Province (CN)

(72) Inventors: **Weiyi Wang**, Hangzhou (CN);
Yueming Li, Hangzhou (CN)

(73) Assignees: **Hangzhou United Tools Co., Ltd.**
(CN); **Hangzhou Great Star Industrial Co., Ltd.** (CN)

(**) Term: **15 Years**

(21) Appl. No.: **29/622,625**

(22) Filed: **Oct. 18, 2017**

(30) **Foreign Application Priority Data**

Apr. 19, 2017 (CN) 2017 3 0131311

(51) **LOC (11) Cl.** **10-04**

(52) **U.S. Cl.**
USPC **D10/70**

(58) **Field of Classification Search**
USPC D10/70

(Continued)

(56) **References Cited**

U.S. PATENT DOCUMENTS

6,324,888 B1 12/2001 Schmidt et al.
D707,144 S * 6/2014 Jacobs D10/70

(Continued)

FOREIGN PATENT DOCUMENTS

CN 102362195 A 2/2012
CN 104597437 A 5/2015
CN 105954756 A 9/2016

Primary Examiner — Antoine Duval Davis

(74) *Attorney, Agent, or Firm* — Fitch, Even, Tabin & Flannery LLP

(57) **CLAIM**

We claim the ornamental design for a laser distance measuring device, as shown and described.

DESCRIPTION

FIG. 1 is a perspective view showing a first embodiment of a laser distance measuring device in accordance with our new design;

FIG. 2 is a front elevation view thereof;

FIG. 3 is a rear elevation view thereof;

FIG. 4 is a top plan view thereof;

FIG. 5 is a bottom plan view thereof;

FIG. 6 is a left side elevation view thereof;

FIG. 7 is a right side elevation view thereof;

FIG. 8 is a perspective view showing a second embodiment of a laser distance measuring device in accordance with our new design;

FIG. 9 is a front elevation view thereof;

FIG. 10 is a rear elevation view thereof;

FIG. 11 is a top plan view thereof;

FIG. 12 is a bottom plan view thereof;

FIG. 13 is a left side elevation view thereof;

FIG. 14 is a right side elevation view thereof;

FIG. 15 is a perspective view showing a third embodiment of a laser distance measuring device in accordance with our new design;

FIG. 16 is a front elevation view thereof;

FIG. 17 is a rear elevation view thereof;

FIG. 18 is a top plan view thereof;

FIG. 19 is a bottom plan view thereof;

FIG. 20 is a left side elevation view thereof;

FIG. 21 is a right side elevation view thereof;

FIG. 22 is a perspective view showing a fourth embodiment of a laser distance measuring device in accordance with our new design;

FIG. 23 is a front elevation view thereof;

FIG. 24 is a rear elevation view thereof;

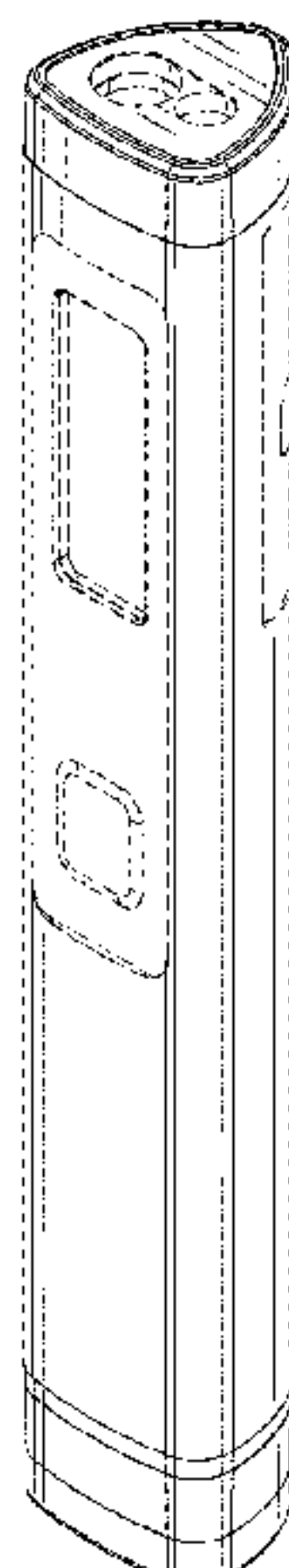
FIG. 25 is a top plan view thereof;

FIG. 26 is a bottom plan view thereof;

FIG. 27 is a left side elevation view thereof; and,

FIG. 28 is a right side elevation view thereof.

1 Claim, 16 Drawing Sheets



(58) **Field of Classification Search**

CPC .. G01C 15/002; G01C 15/004; G01C 15/006;
G01C 15/008; G01C 15/02; G01C 3/00;
G01C 3/02; G01C 3/04; G01C 3/06;
G01C 3/08; G01C 3/085; G01C 3/10;
G01C 3/12; G01C 3/16; G01C 3/18;
G01C 3/20; G01C 3/22; G01C 3/24;
G01C 3/26; G01C 3/28; G01C 3/30;
G01C 3/32; G01S 7/4811; G01S 7/4813;
G01S 7/4814; G01S 7/4816; G01S 7/486;
G01S 7/4861; G01S 7/4863; G02B 23/00;
G02B 23/14; G02B 23/16; F41G 1/00;
F41G 1/46; F41G 1/473; F41G 3/06;
F41G 3/065

See application file for complete search history.

(56) **References Cited**

U.S. PATENT DOCUMENTS

D708,971	S	*	7/2014	Jacobs	D10/70
D735,592	S	*	8/2015	Cha	D10/70
D736,108	S	*	8/2015	Cha	D10/70
9,268,011	B2		2/2016	Wolf et al.		

* cited by examiner

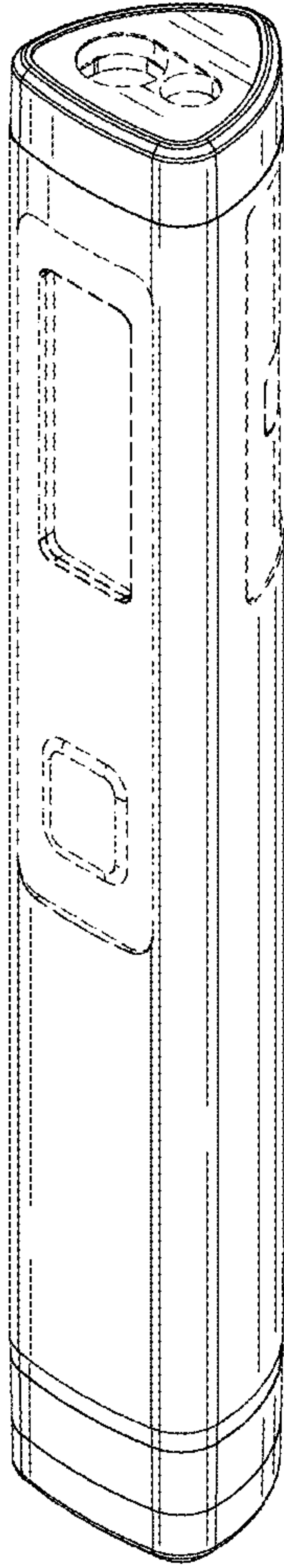


FIG. 1

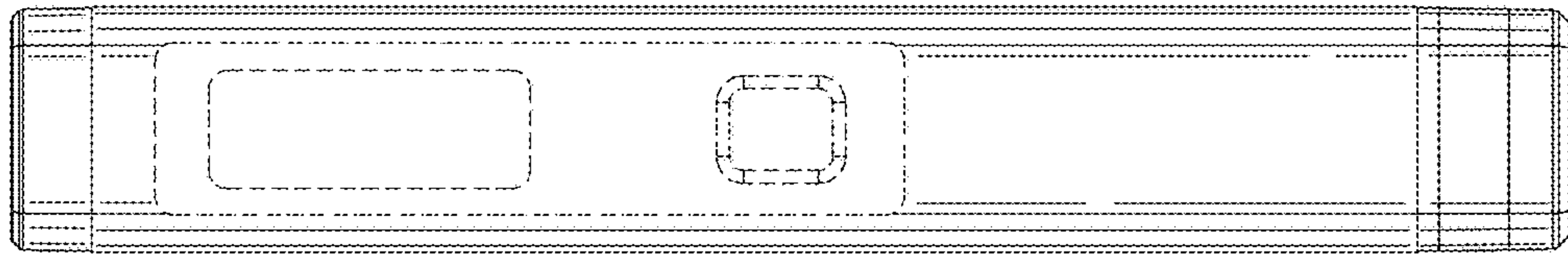


FIG. 2

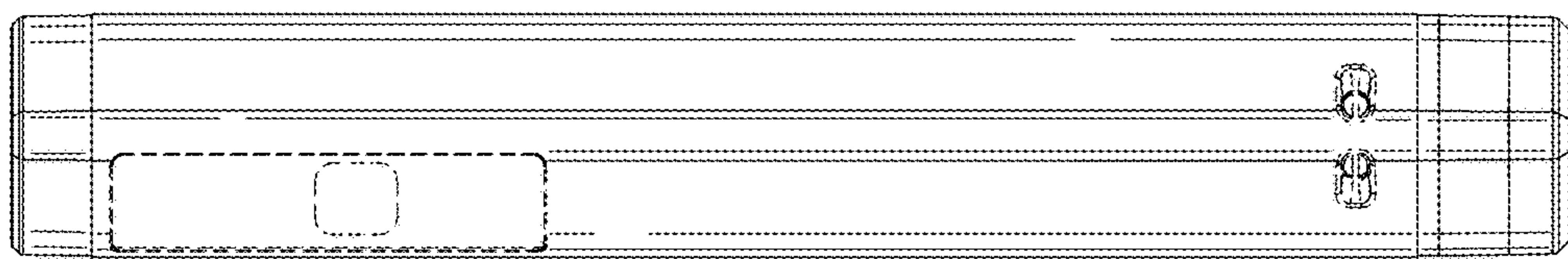


FIG. 3

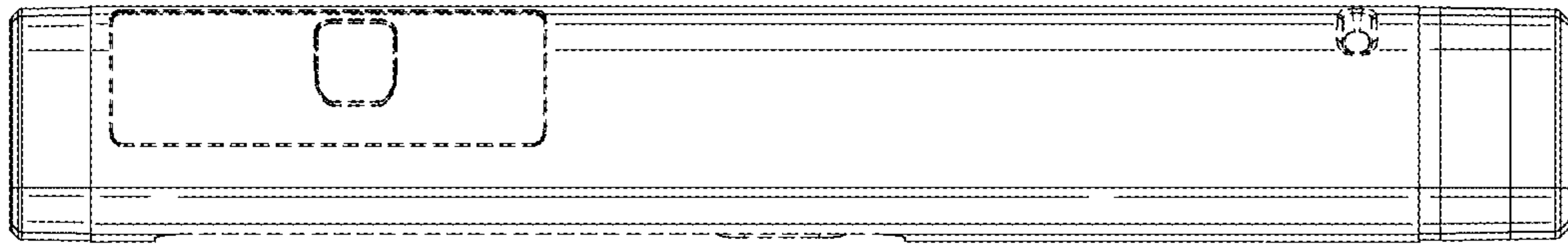


FIG. 4

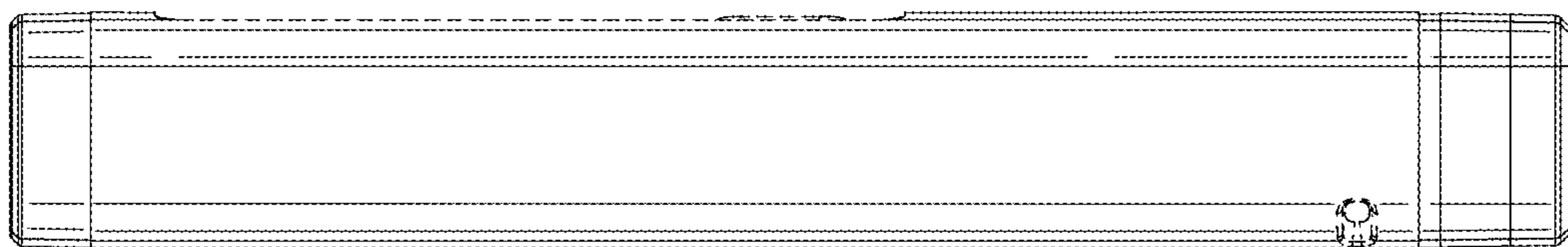


FIG. 5

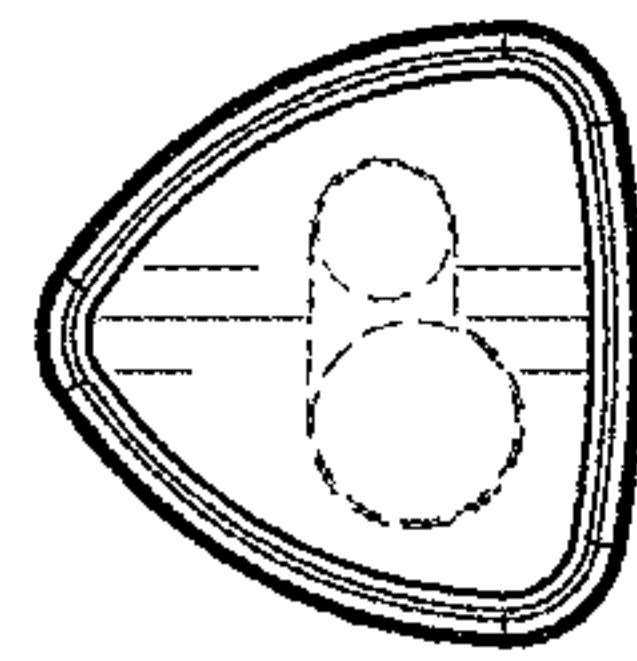


FIG. 6

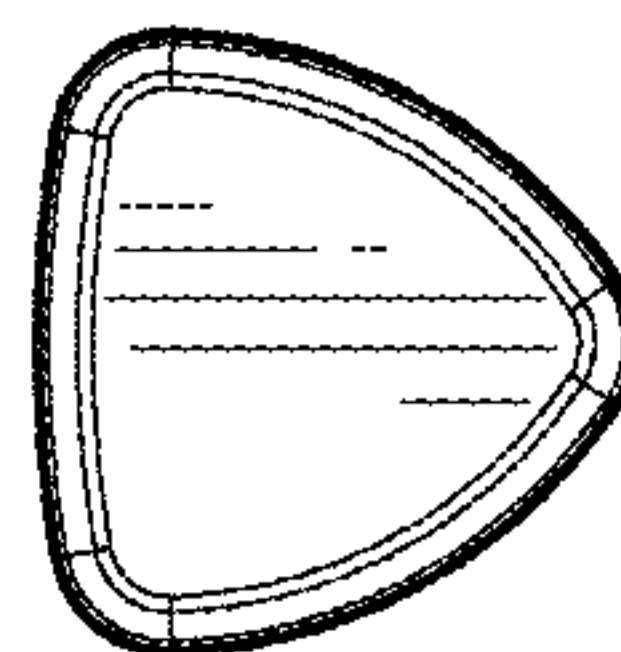


FIG. 7

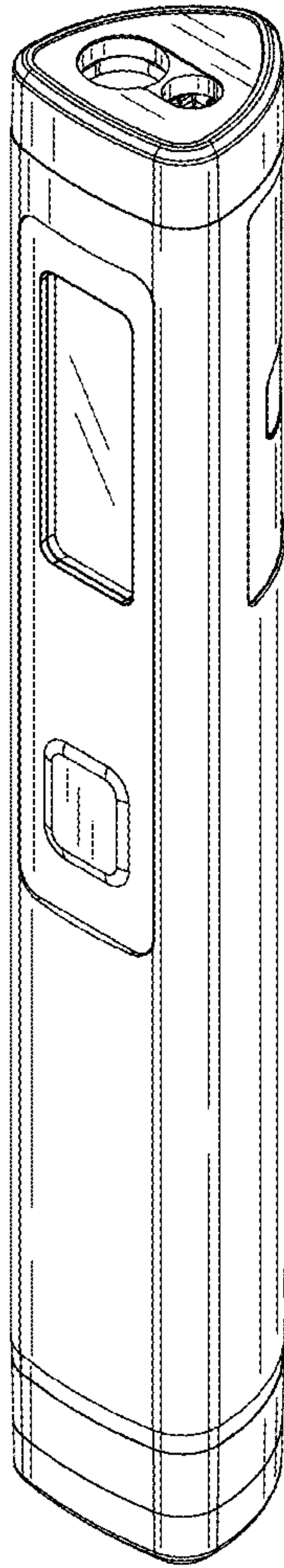


FIG. 8

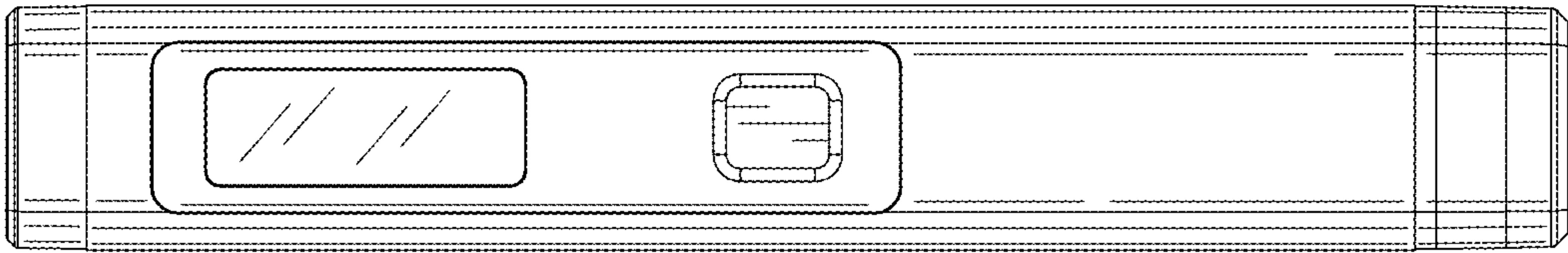


FIG. 9

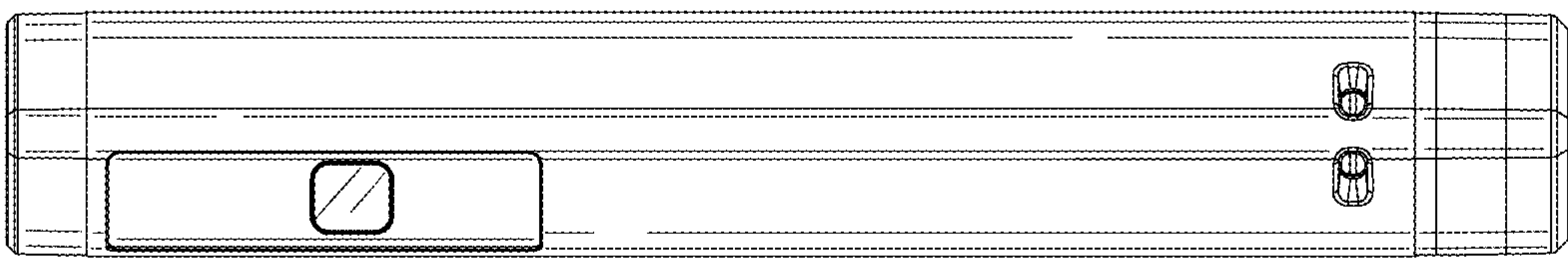


FIG. 10

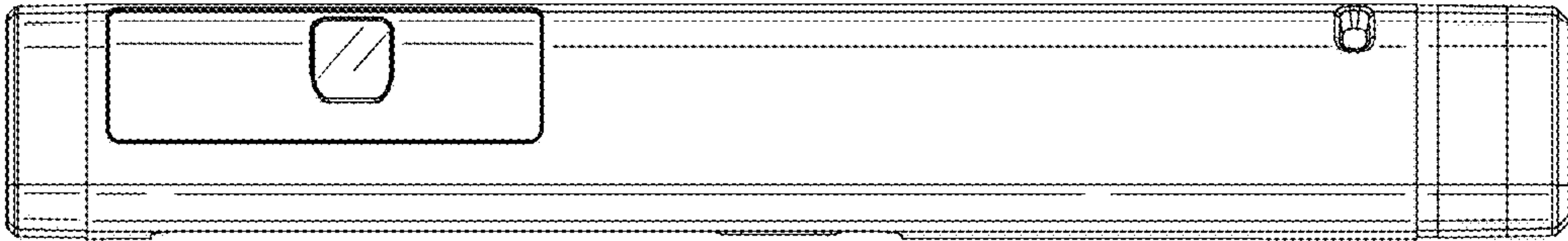


FIG. 11

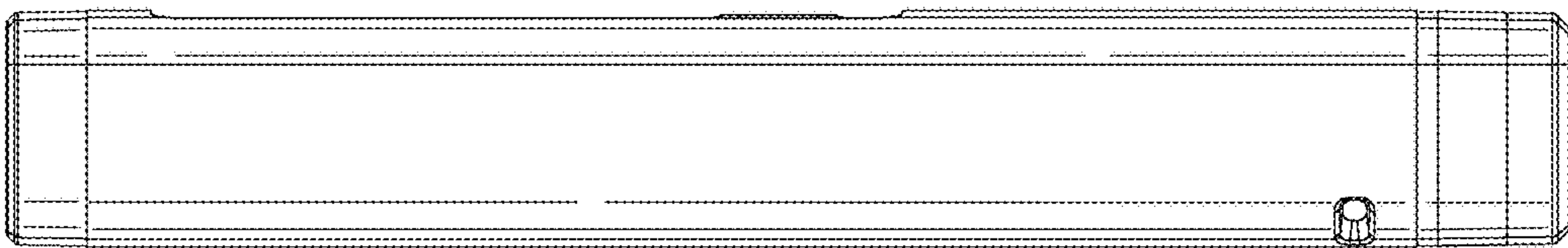


FIG. 12

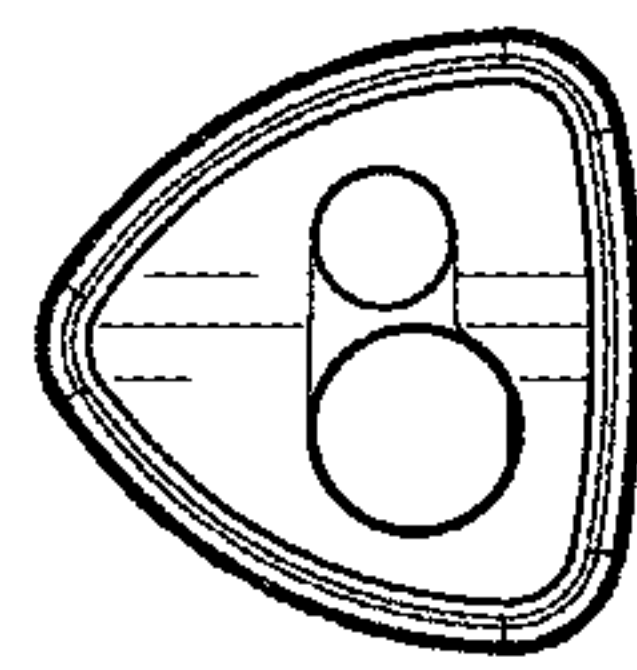


FIG. 13

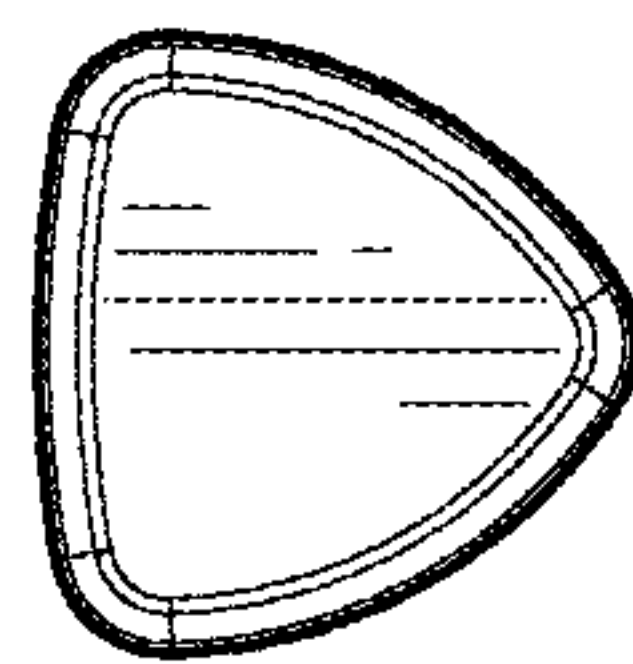


FIG. 14

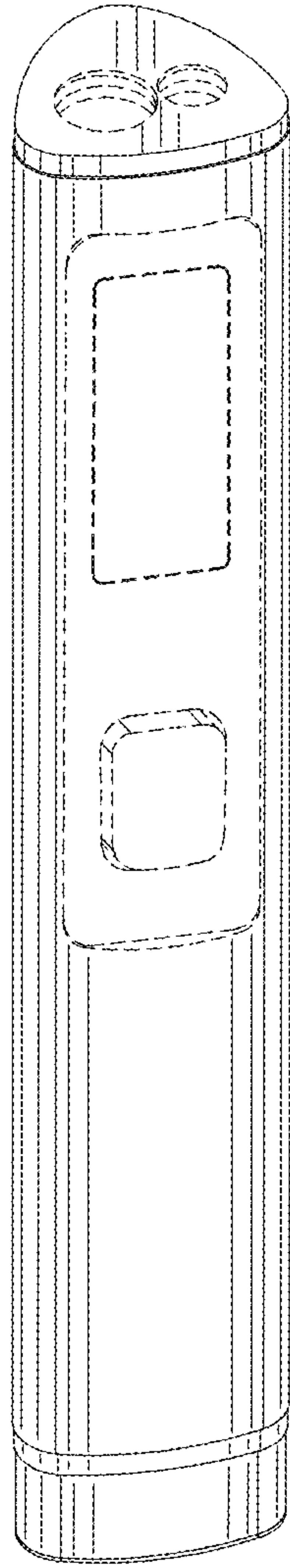


FIG. 15

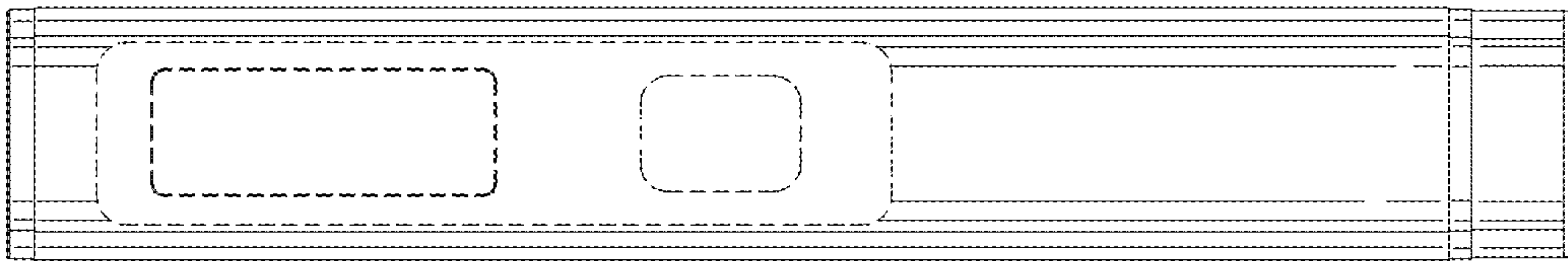


FIG. 16

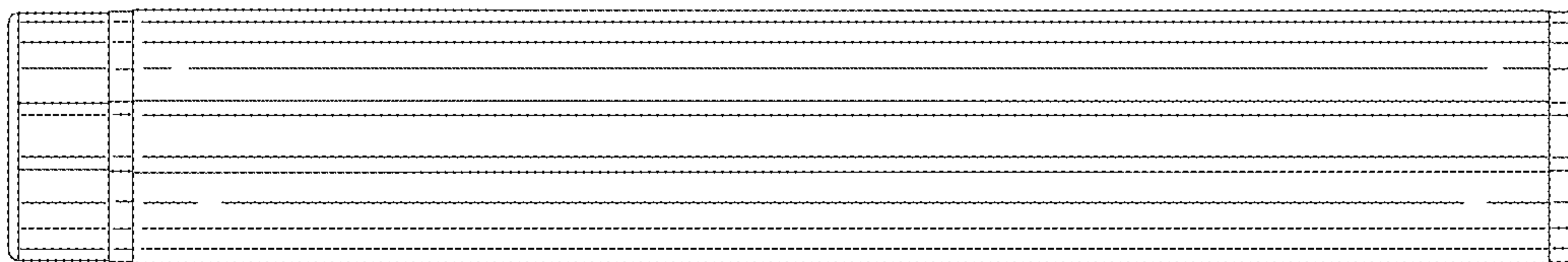


FIG. 17

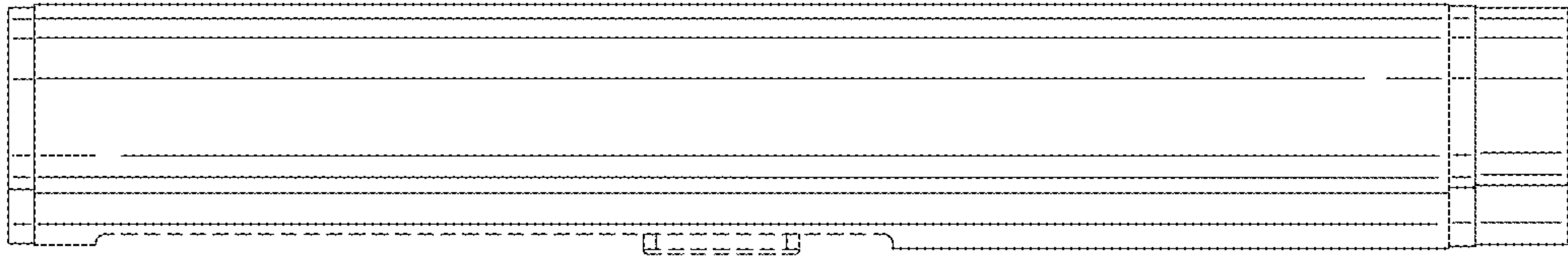


FIG. 18

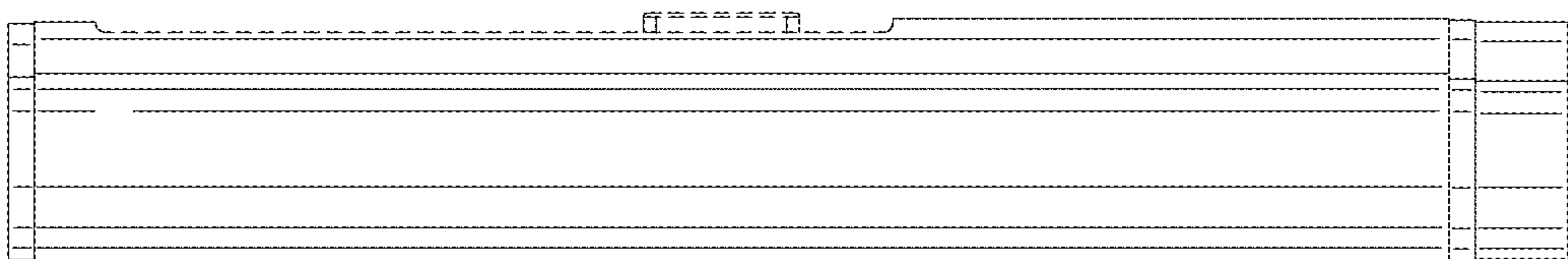


FIG. 19

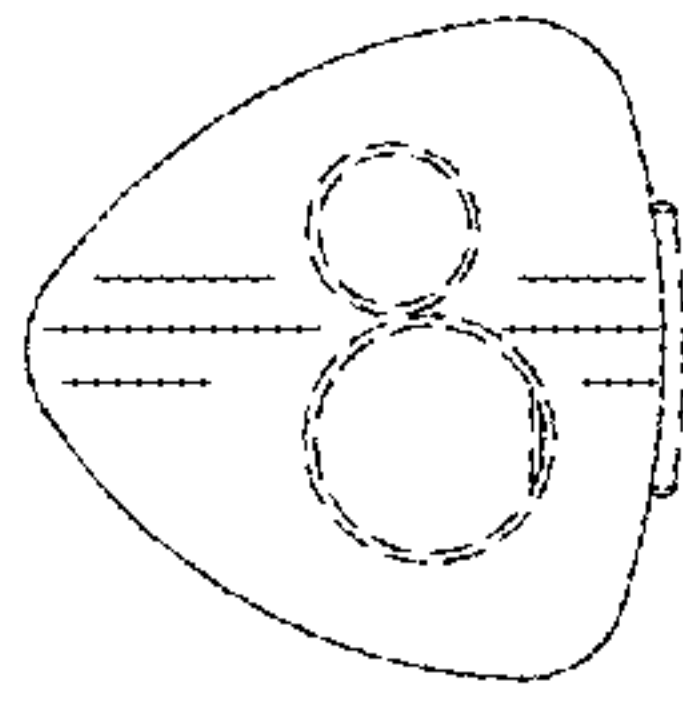


FIG. 20

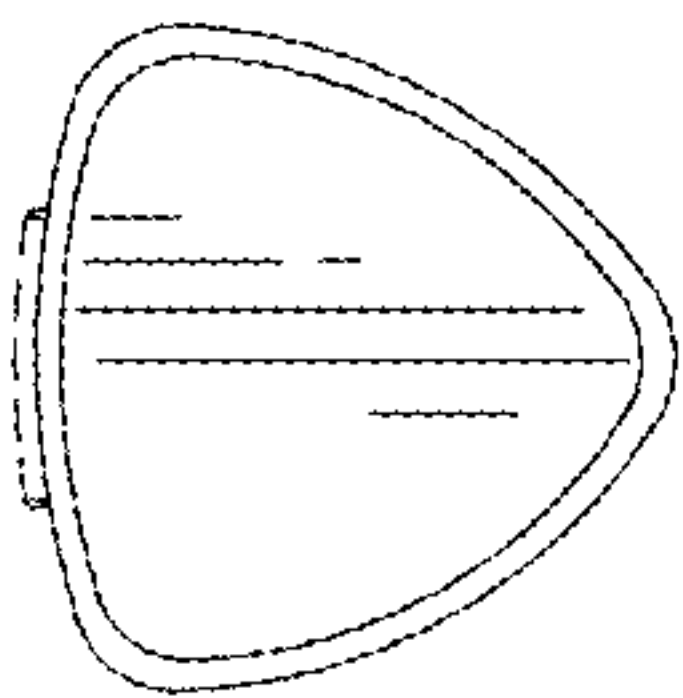


FIG. 21

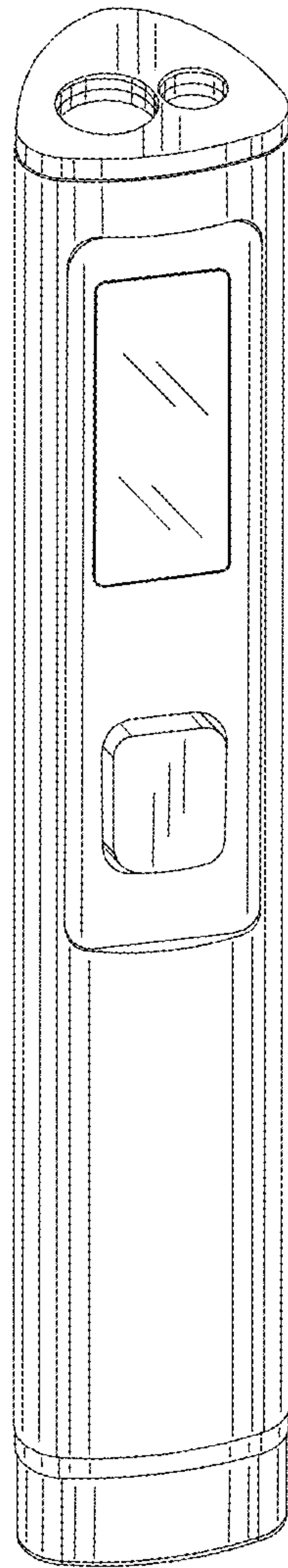


FIG. 22

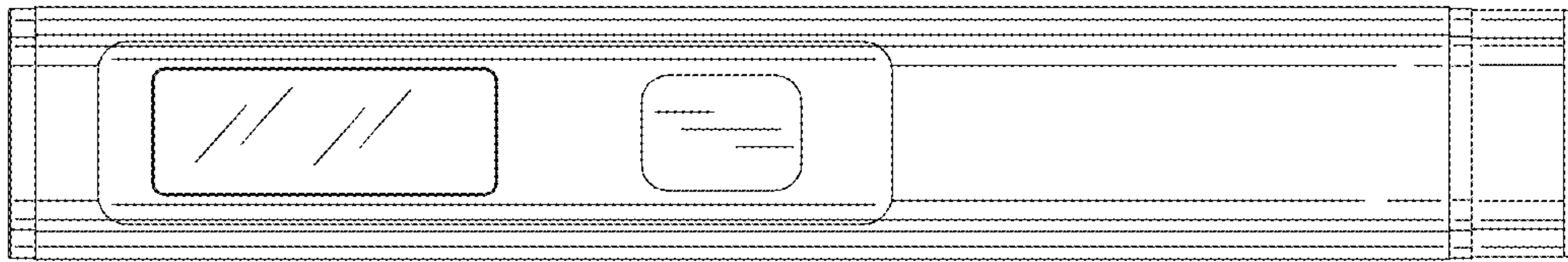


FIG. 23

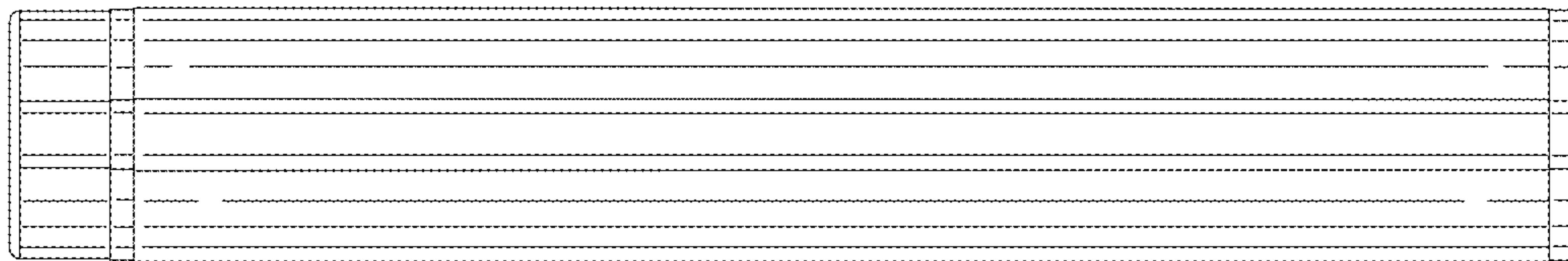


FIG. 24

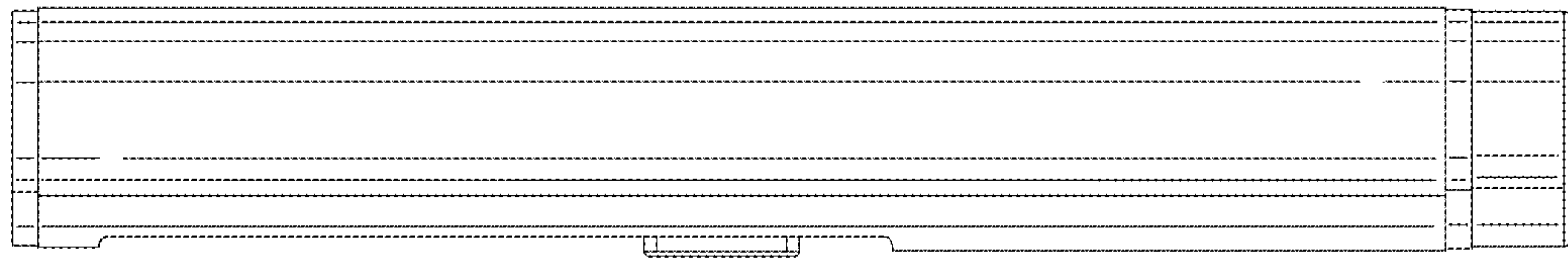


FIG. 25

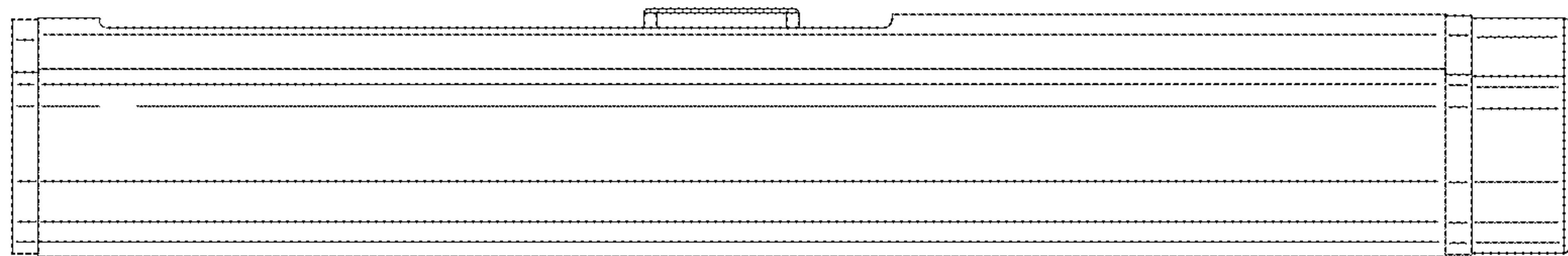


FIG. 26

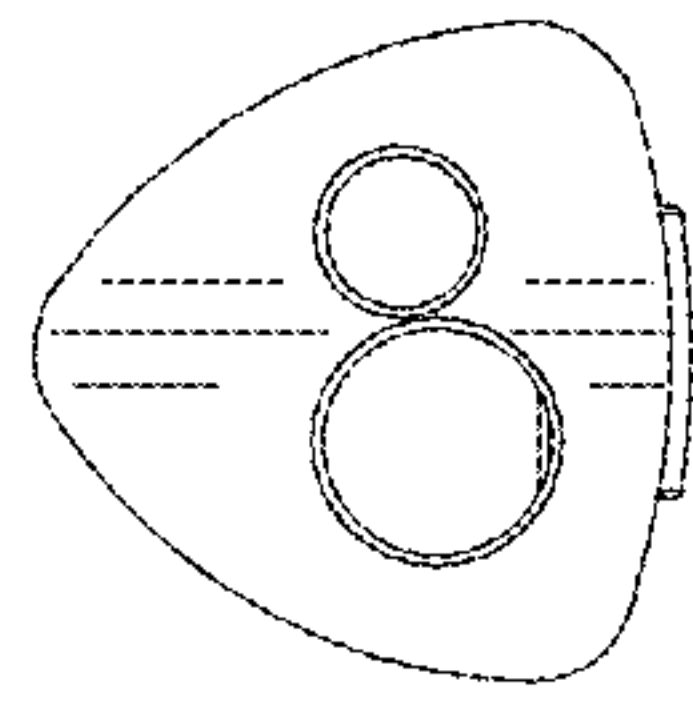


FIG. 27

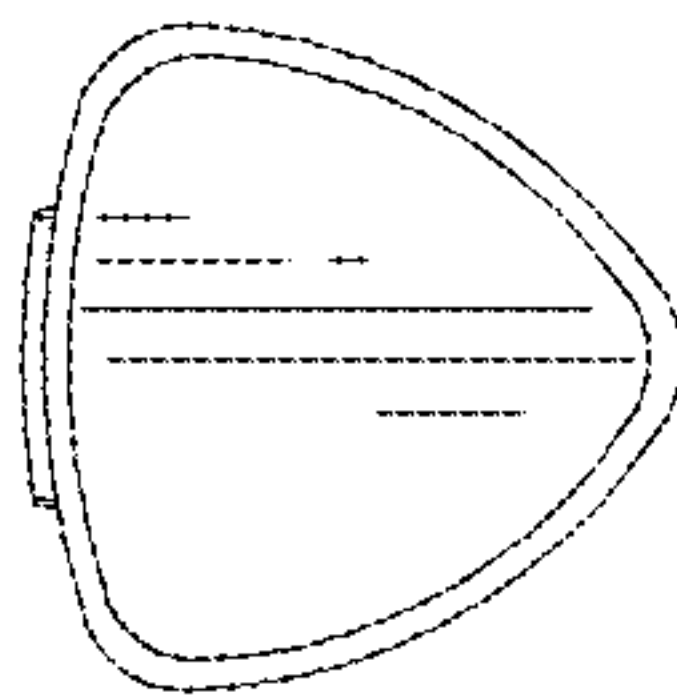


FIG. 28