



US00D850302S

(12) **United States Design Patent**
Winans

(10) **Patent No.:** **US D850,302 S**
(45) **Date of Patent:** **** Jun. 4, 2019**

- (54) **DUAL MITER SCRIBE GAUGE**
- (71) Applicant: **Woodpeckers, LLC**, Strongsville, OH (US)
- (72) Inventor: **Brock Winans**, Strongsville, OH (US)
- (73) Assignee: **Woodpeckers, LLC**, Strongsville, OH (US)
- (**) Term: **15 Years**
- (21) Appl. No.: **29/640,040**
- (22) Filed: **Mar. 12, 2018**
- (51) **LOC (11) Cl.** **10-04**
- (52) **U.S. Cl.**
USPC **D10/65**
- (58) **Field of Classification Search**
USPC D10/65
CPC B27B 25/10; B27G 5/02; B27G 5/023; B27G 5/026; B23D 59/002; B23Q 17/2233; B25H 7/00; E04F 21/003; G01B 3/56; Y10T 83/6611; Y10T 83/6612; Y10T 83/8773; Y10T 83/7533; Y10T 83/6975; Y10T 83/773; Y10T 83/6614; Y10T 83/6609; Y10T 83/667; Y10T 83/875

See application file for complete search history.

(56) **References Cited**

U.S. PATENT DOCUMENTS

- 5,983,767 A * 11/1999 DeFelice B23Q 9/0085 83/522.25
- 6,494,015 B1 * 12/2002 Critchlow B25H 7/00 269/1

- 6,688,014 B1 * 2/2004 Allemand B25H 7/00 33/429
- 7,114,264 B1 * 10/2006 Hurley B25H 7/00 33/423

* cited by examiner

Primary Examiner — Antoine Duval Davis

(74) *Attorney, Agent, or Firm* — Sand, Sebolt & Wernow Co., LPA

(57) **CLAIM**

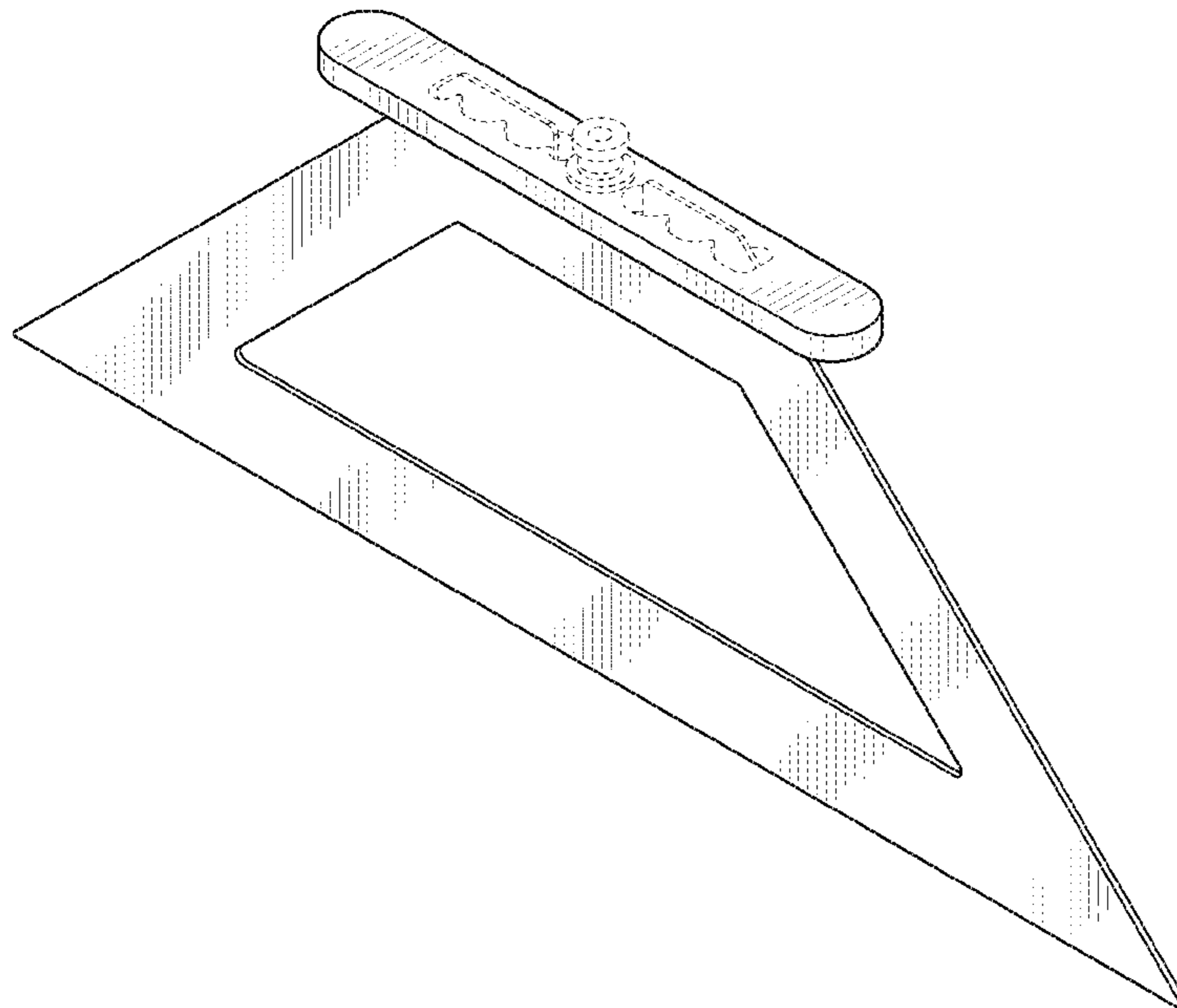
The ornamental design for a dual miter scribe gauge, as shown and described.

DESCRIPTION

FIG. 1 is a front top right isometric perspective view of a first embodiment of a dual miter scribe gauge in accordance with my design;
 FIG. 2 is a front elevation view thereof;
 FIG. 3 is a rear elevation view thereof;
 FIG. 4 is a top plan view thereof;
 FIG. 5 is a bottom plan view thereof;
 FIG. 6 is a left side elevation view thereof;
 FIG. 7 is a right side elevation view thereof;
 FIG. 8 is a front top right isometric perspective view of a second embodiment of a dual miter scribe gauge in accordance with my design;
 FIG. 9 is a front elevation view thereof;
 FIG. 10 is a rear elevation view thereof;
 FIG. 11 is a top plan view thereof;
 FIG. 12 is a bottom plan view thereof;
 FIG. 13 is a left side elevation view thereof; and,
 FIG. 14 is a right side elevation view thereof.

The broken lines illustrate portions of the dual miter scribe gauge which form no part of the claimed design.

1 Claim, 7 Drawing Sheets



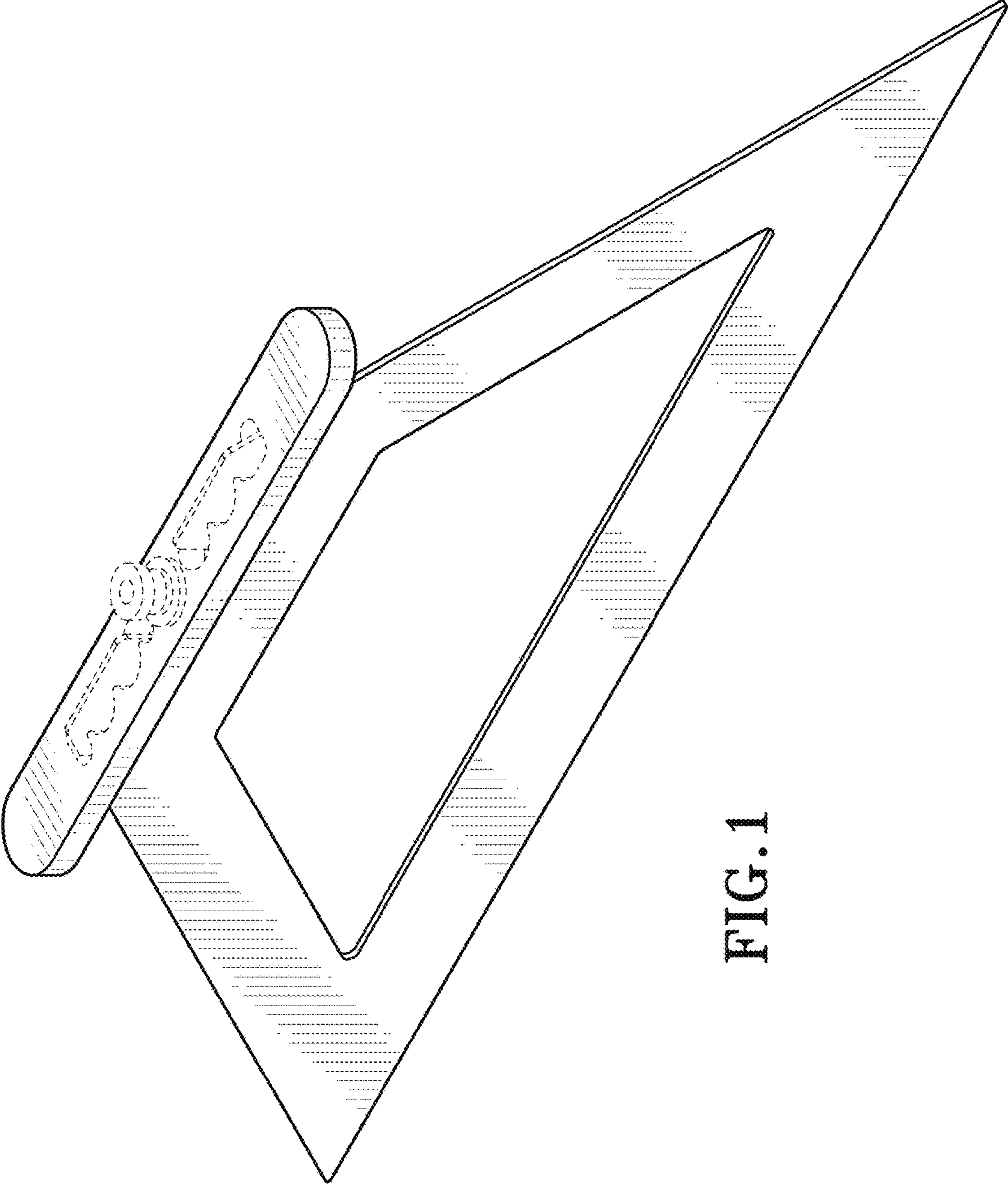


FIG. 1

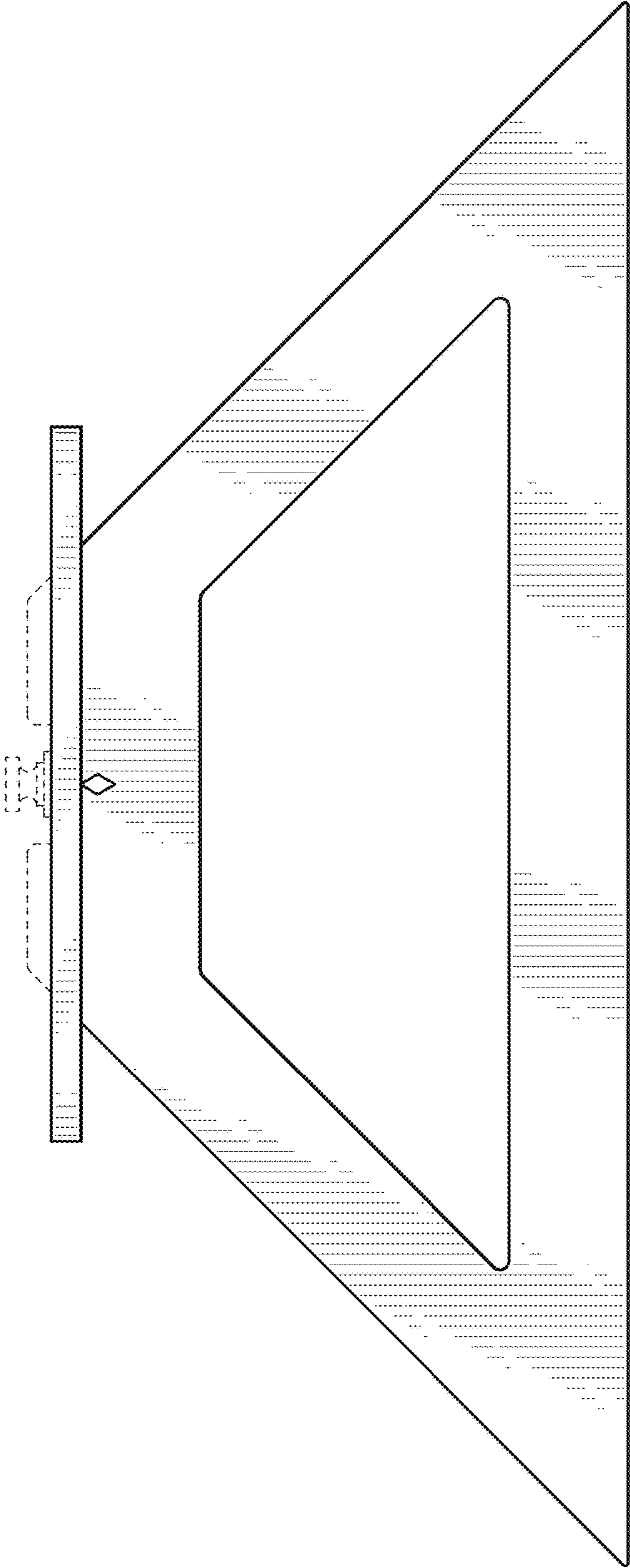


FIG. 2

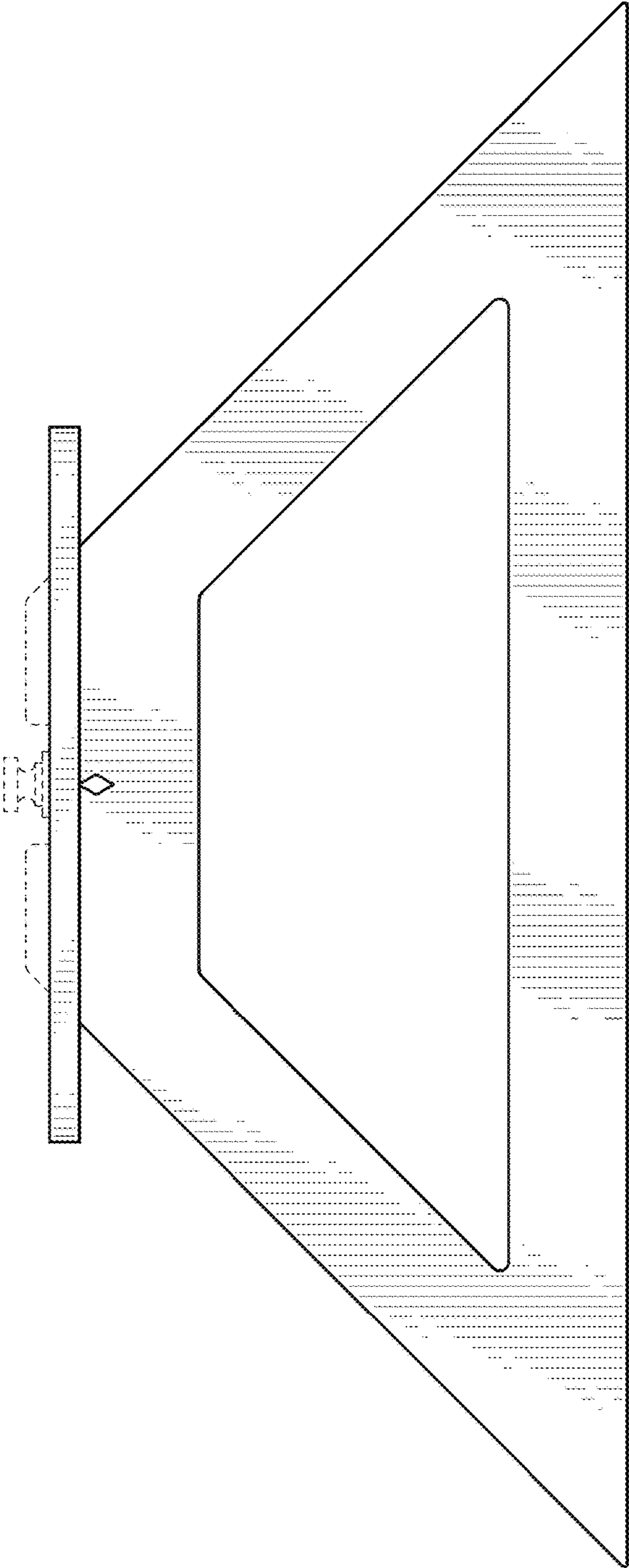


FIG. 3



FIG. 4

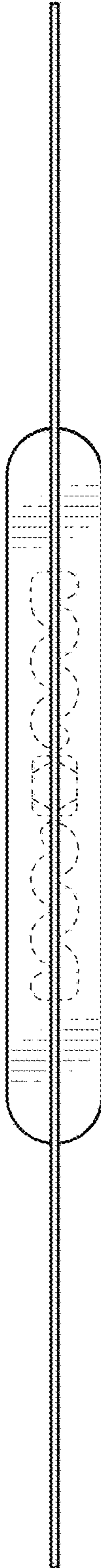


FIG. 5

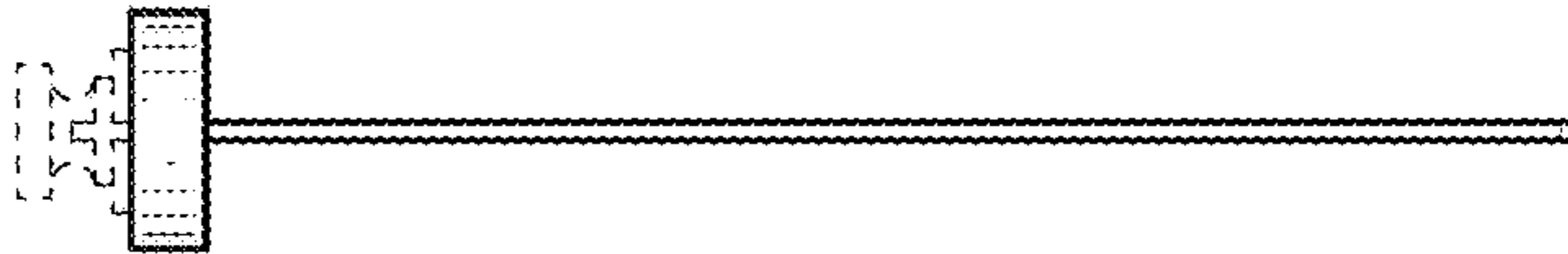


FIG. 7

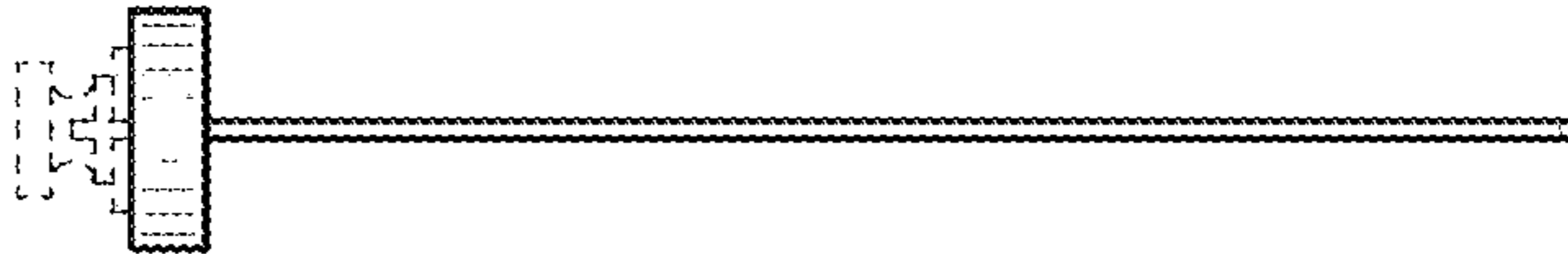


FIG. 6

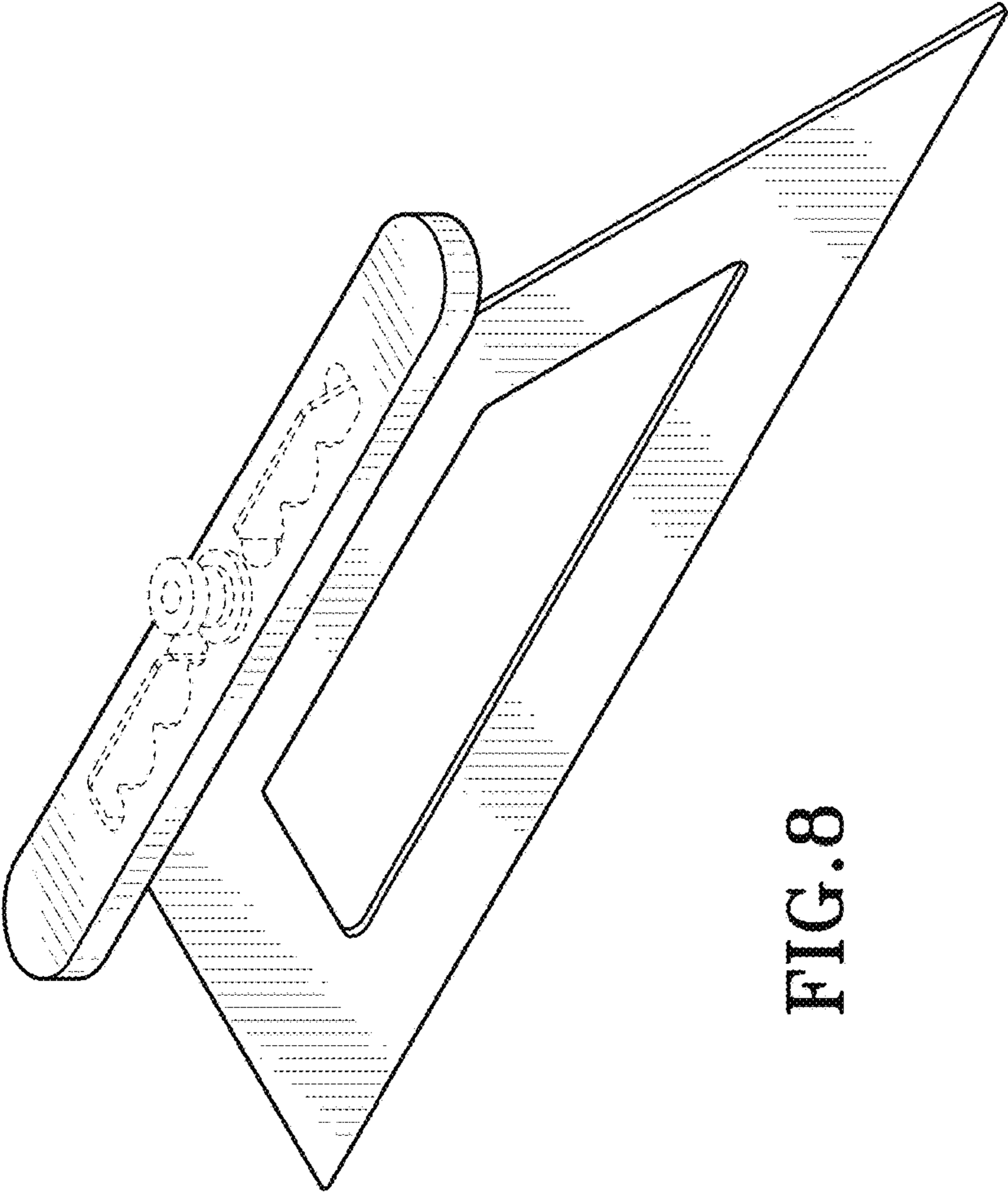


FIG. 8

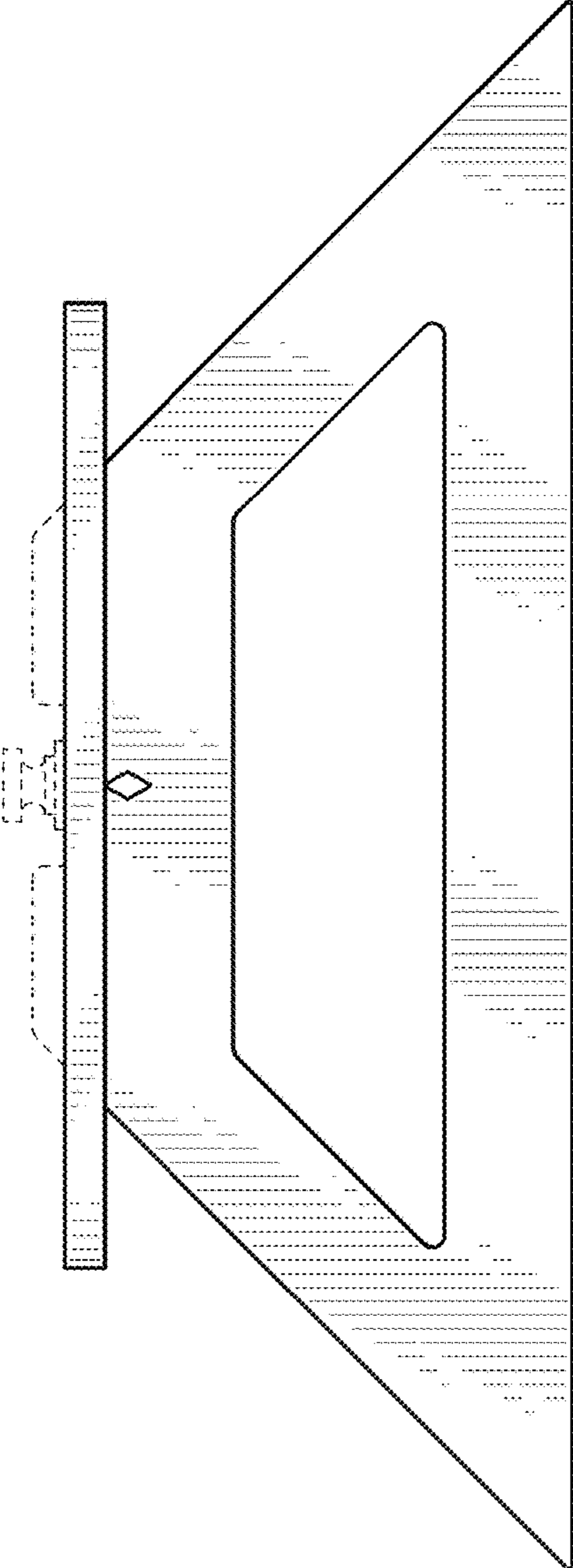


FIG. 9

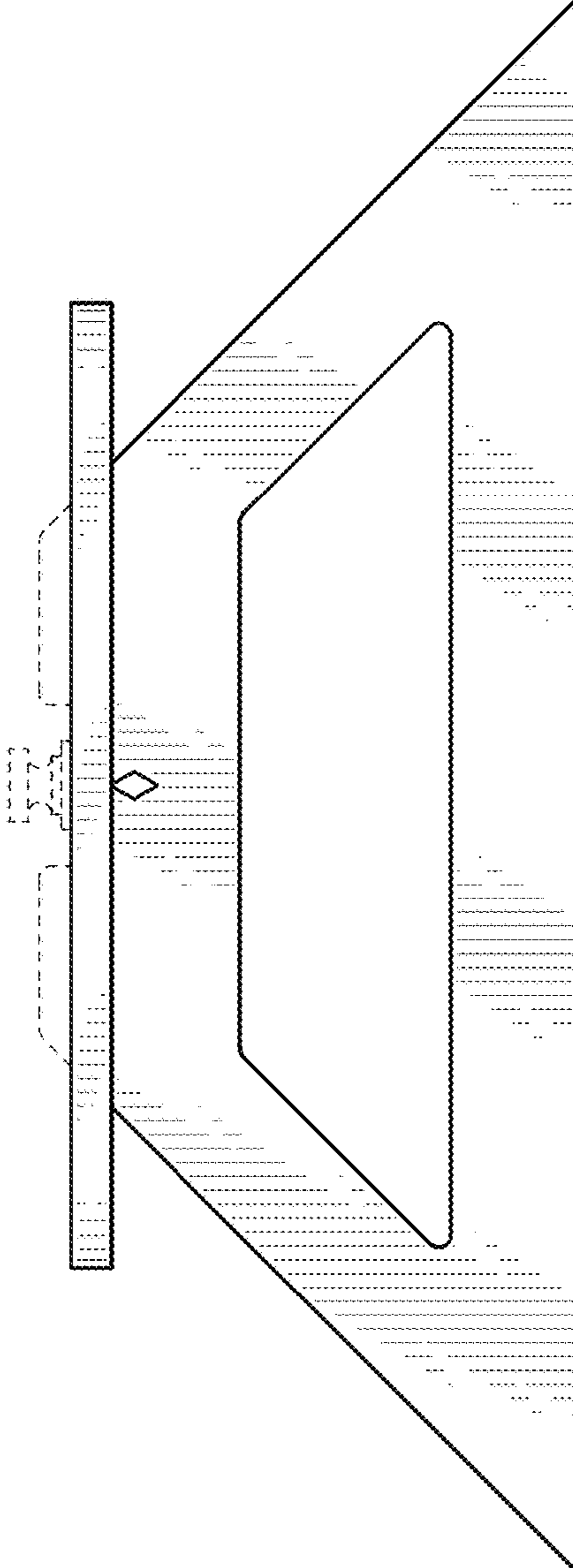


FIG. 10

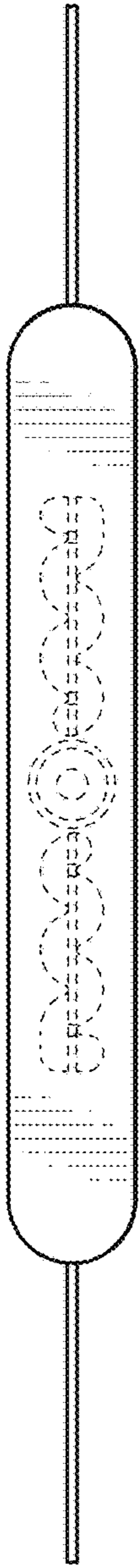


FIG. 11

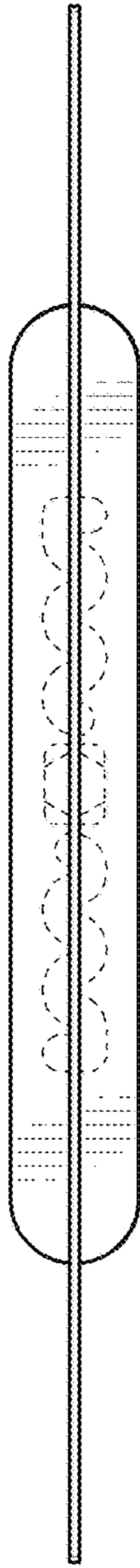


FIG. 12

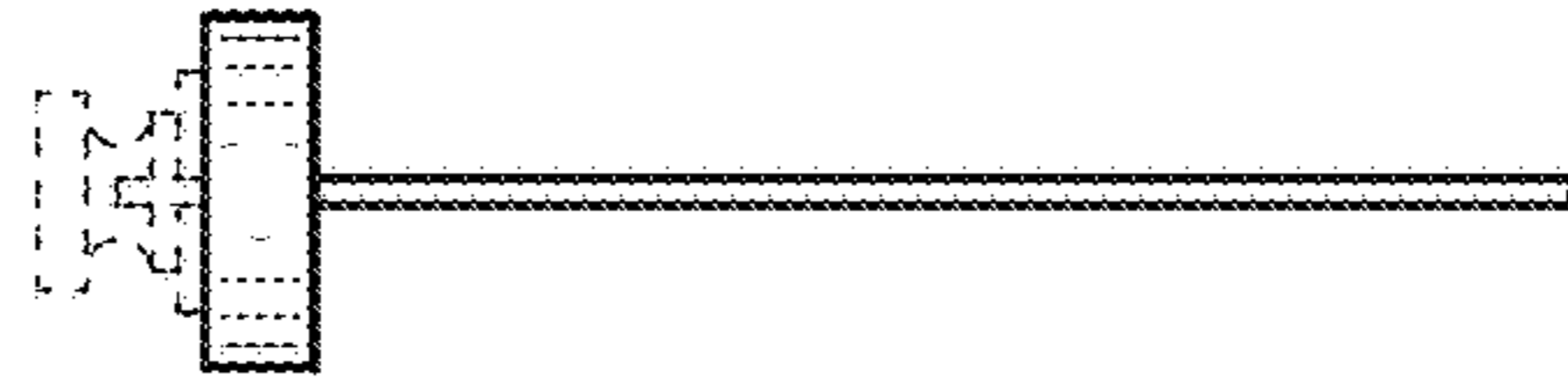


FIG. 13

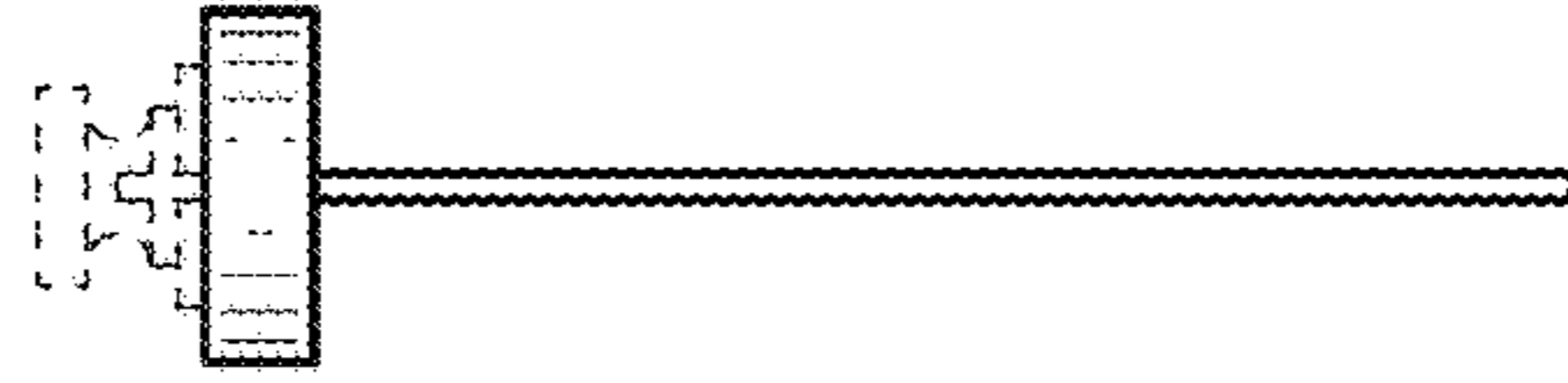


FIG. 14