



US00D850300S

(12) **United States Design Patent**
Xiao et al.

(10) **Patent No.:** **US D850,300 S**
(45) **Date of Patent:** **** Jun. 4, 2019**

(54) **SMART WEATHER STATION**

(56) **References Cited**

(71) Applicant: **BloomSky, Inc.**, Mountain View, CA (US)

U.S. PATENT DOCUMENTS

(72) Inventors: **Juntao Xiao**, Mountain View, CA (US);
Xiaobin Li, Mountain View, CA (US)

D279,274 S * 6/1985 Emori D10/46
D516,581 S * 3/2006 Gomez Gomar D10/59

(73) Assignee: **WEATHER INTELLIGENCE TECHNOLOGY, INC.**, Burlingame, CA (US)

* cited by examiner

Primary Examiner — Antoine Duval Davis

(74) *Attorney, Agent, or Firm* — Gokalp Bayramoglu

(**) Term: **15 Years**

(57) **CLAIM**

(21) Appl. No.: **29/617,437**

The ornamental design for smart weather station, as shown and described.

(22) Filed: **Sep. 14, 2017**

(30) **Foreign Application Priority Data**

DESCRIPTION

Mar. 15, 2017 (CN) 2017 3 0074734

(51) **LOC (11) Cl.** **10-04**

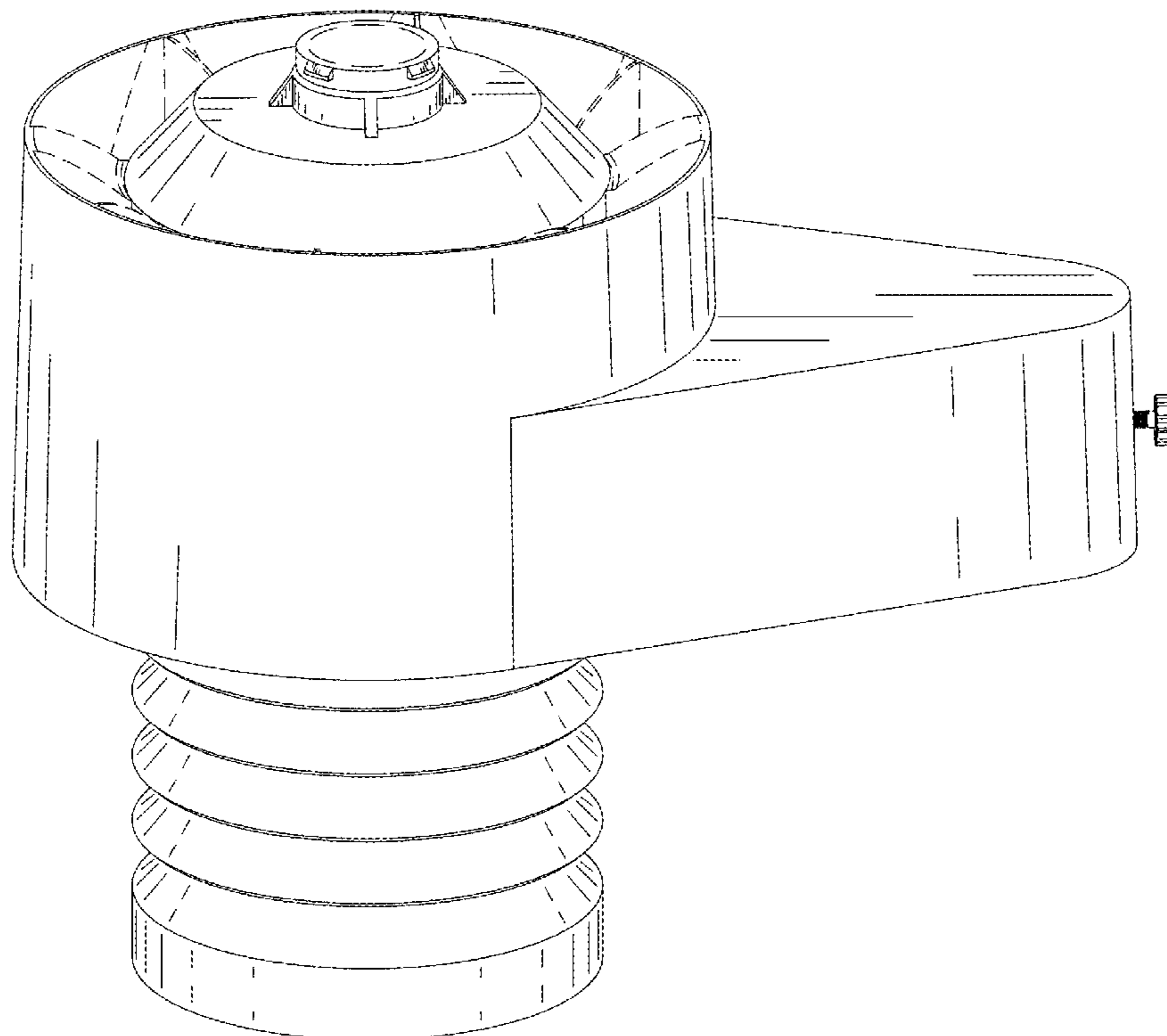
(52) **U.S. Cl.**
USPC **D10/53**

(58) **Field of Classification Search**
USPC D10/52, 53, 55, 56, 57, 59
CPC G01S 5/0009; G01S 5/0018; G01S 5/0036;
G01W 1/02; G01W 1/04; G01W 1/06;
G01W 1/10; G01W 1/11; G01W 1/12;
G01W 1/14; G01W 1/16; G01W 1/17;
G01W 1/18; G01W 2001/006; G01W
2201/00; G01W 2203/00

FIG. 1 is a front view of the smart weather station showing my new design;
FIG. 2 is a back view thereof;
FIG. 3 is a left view thereof;
FIG. 4 is a right view thereof;
FIG. 5 is a top view thereof;
FIG. 6 is a bottom view thereof; and,
FIG. 7 is a perspective view thereof.
The broken lines depict portions of a smart weather station in which the design is embodied that form no part of the claimed design.

See application file for complete search history.

1 Claim, 7 Drawing Sheets



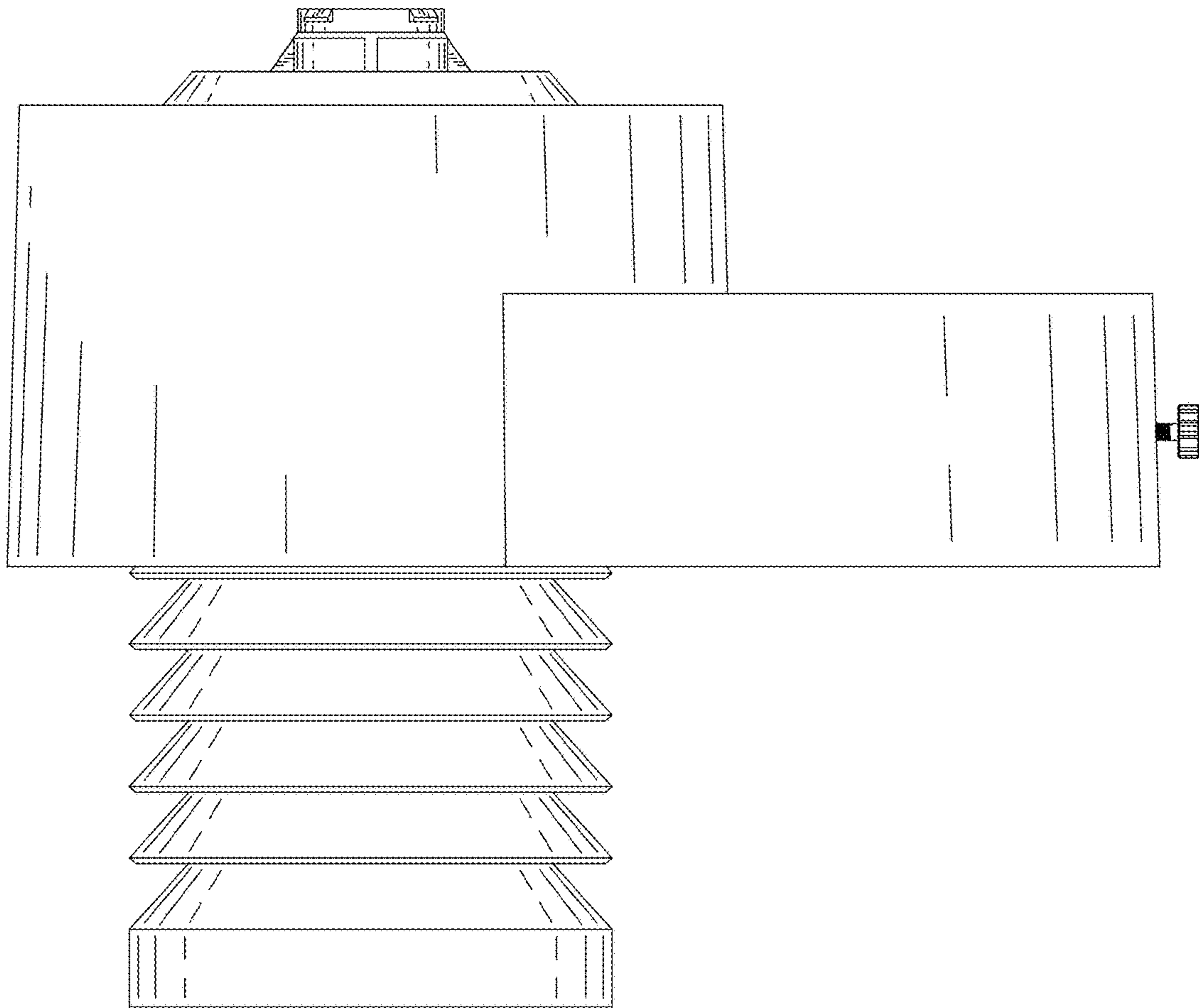


Figure 1

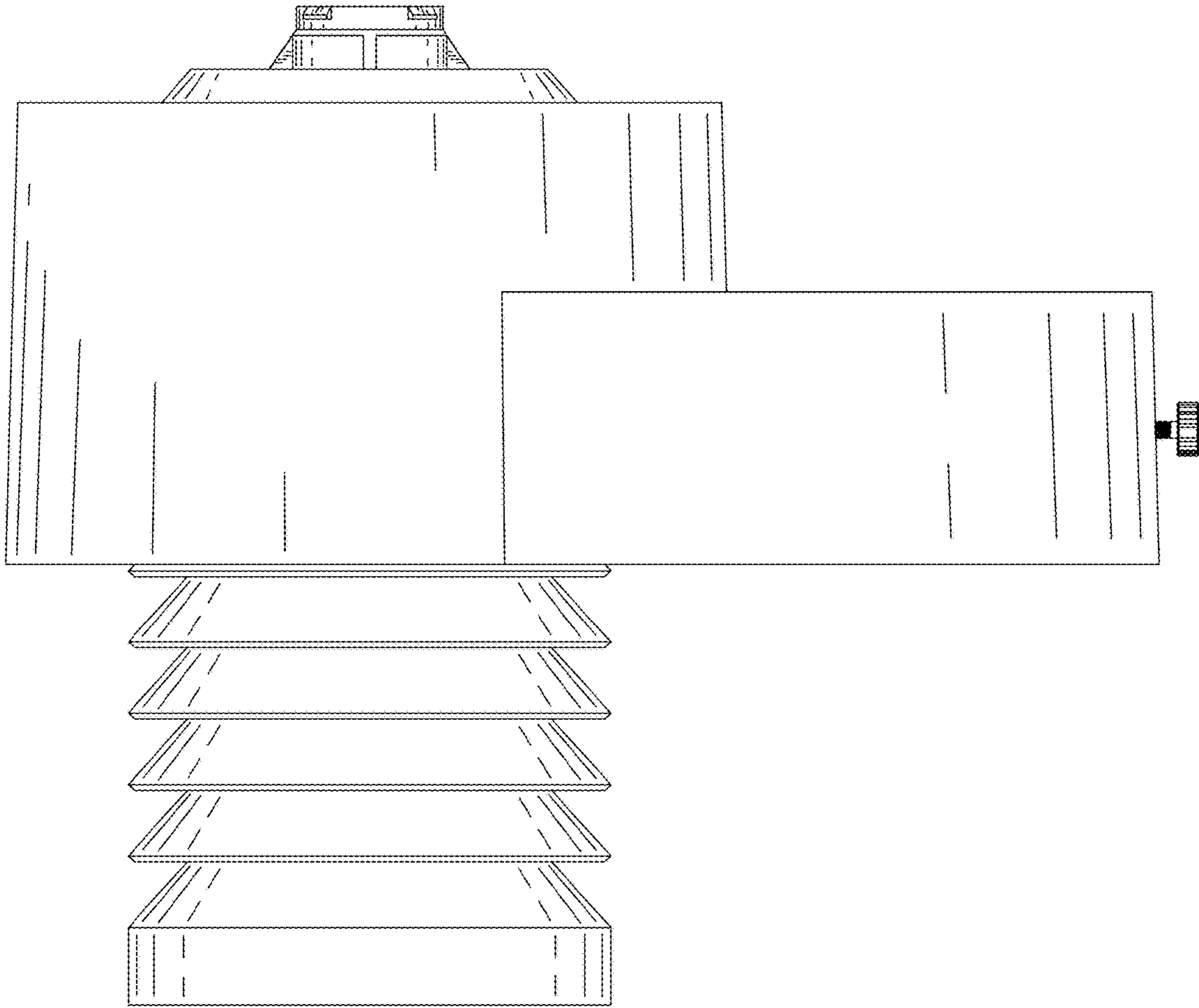


Figure 2

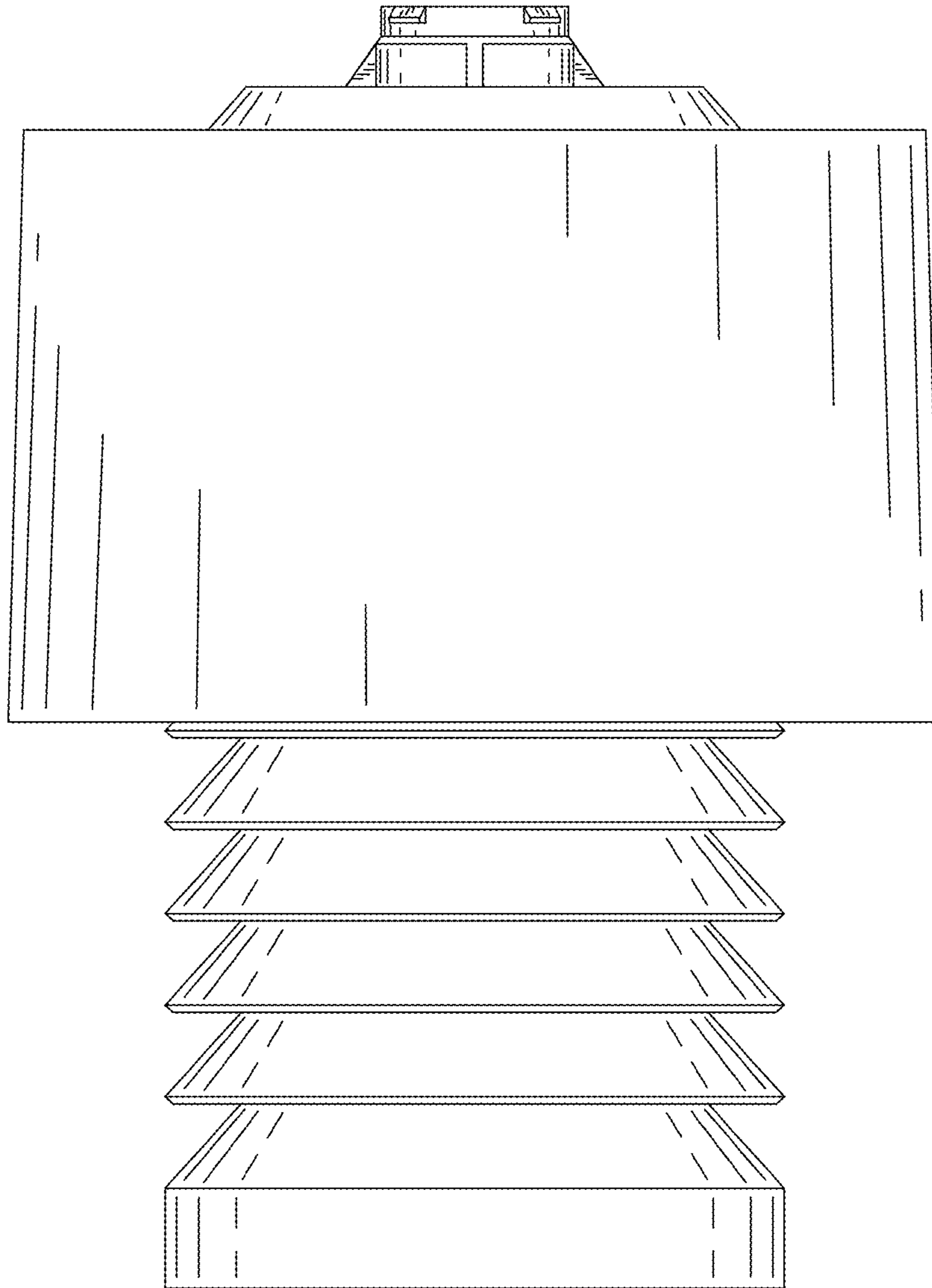


Figure 3

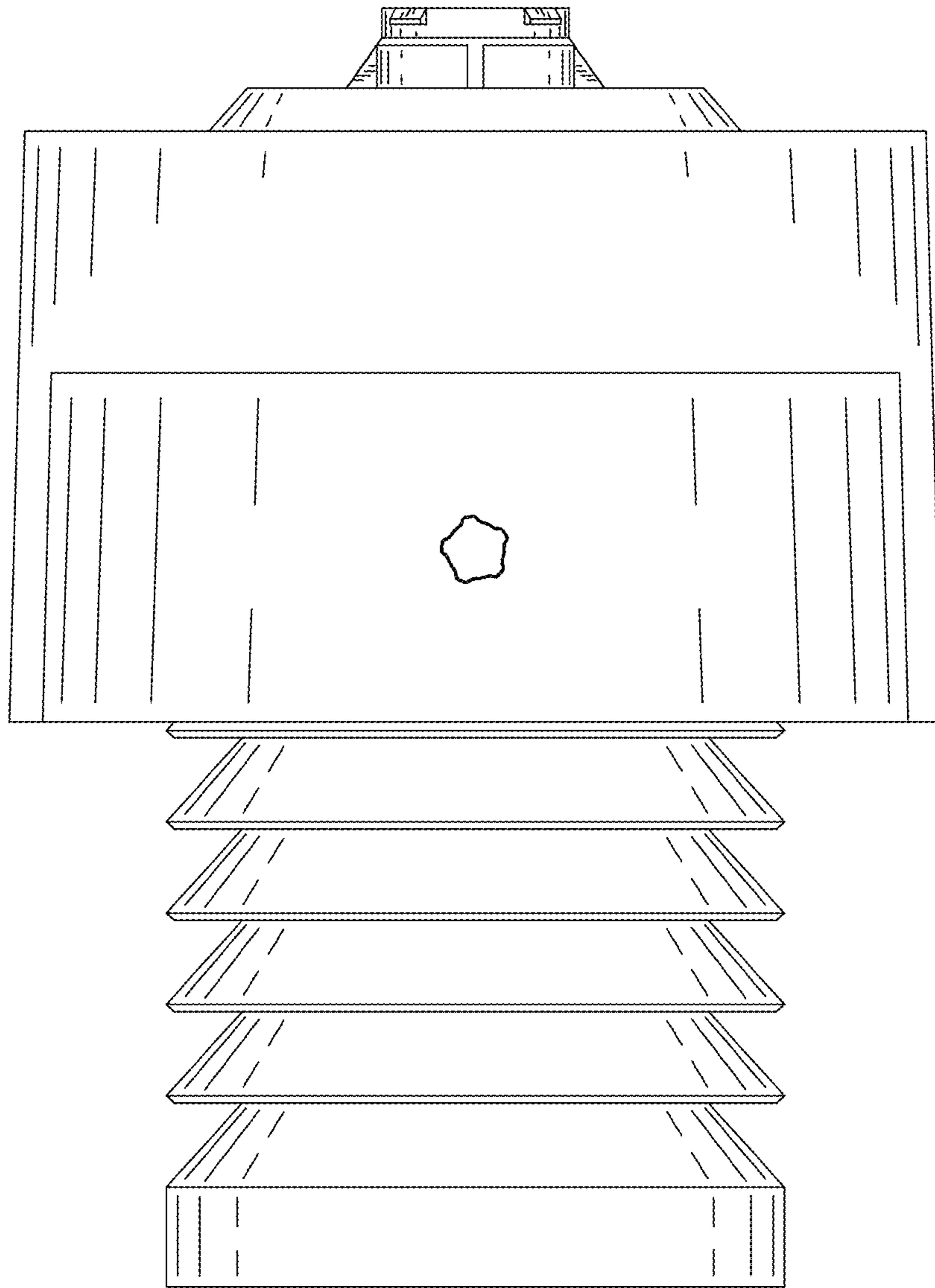


Figure 4

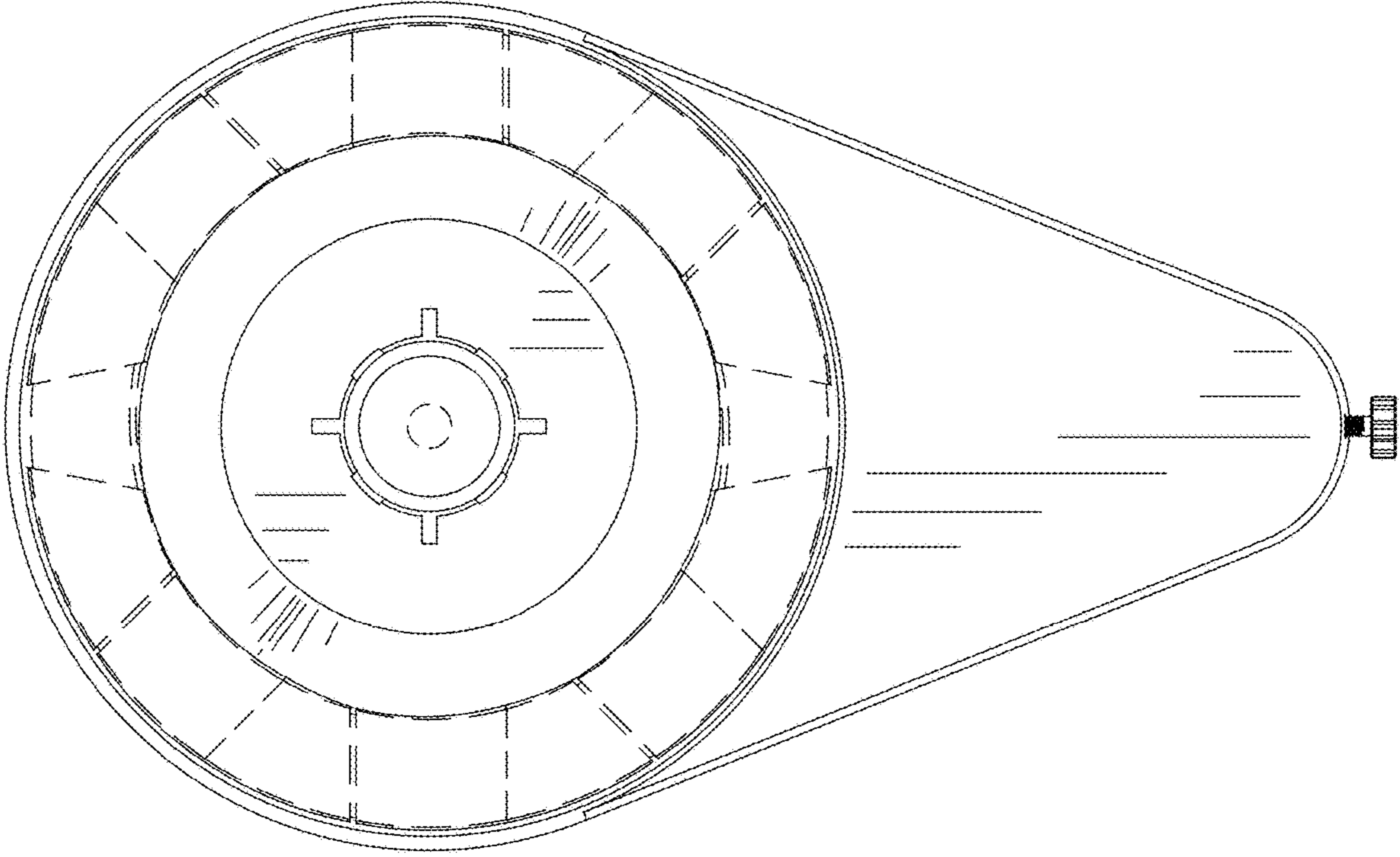


Figure 5

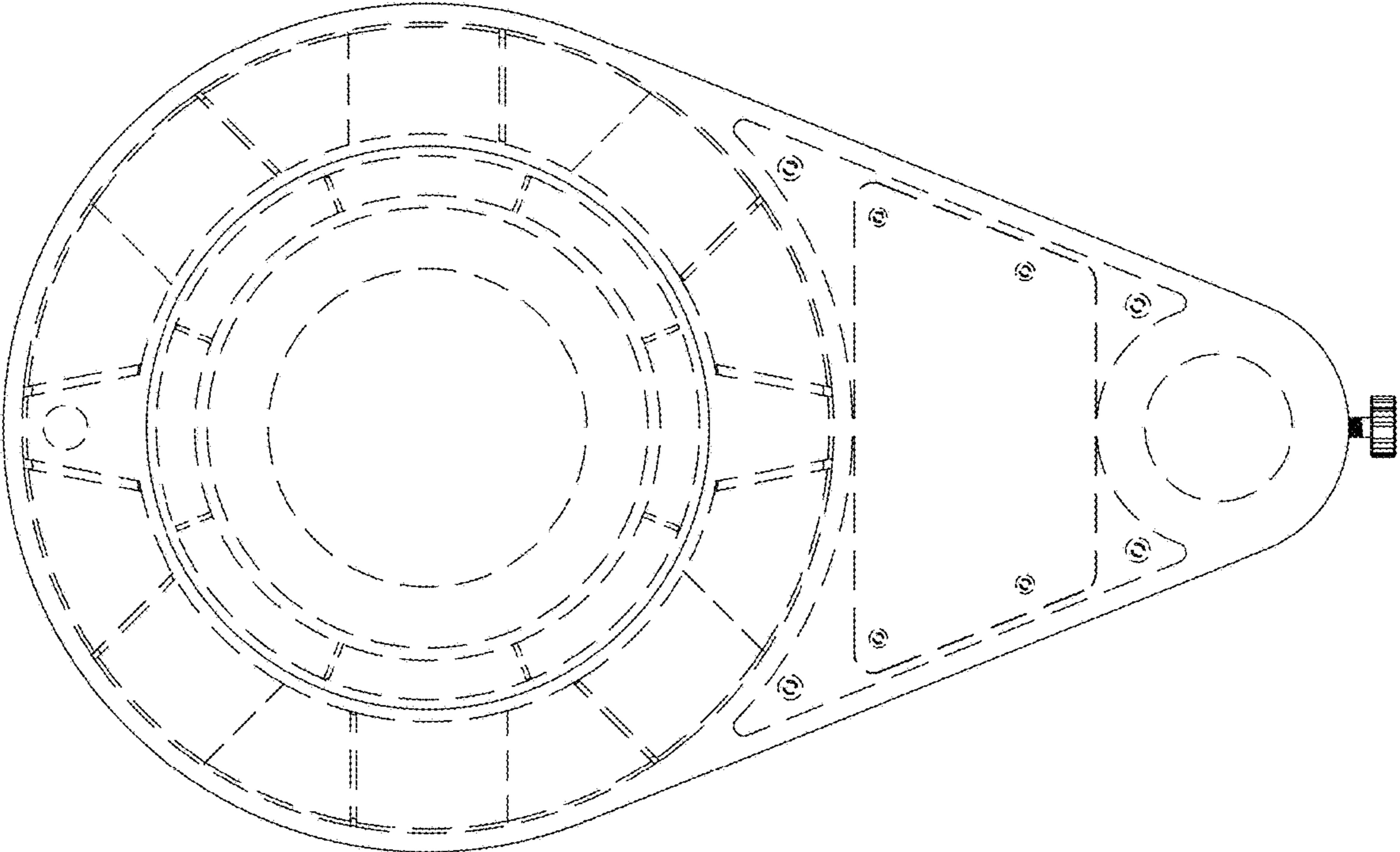


Figure 6

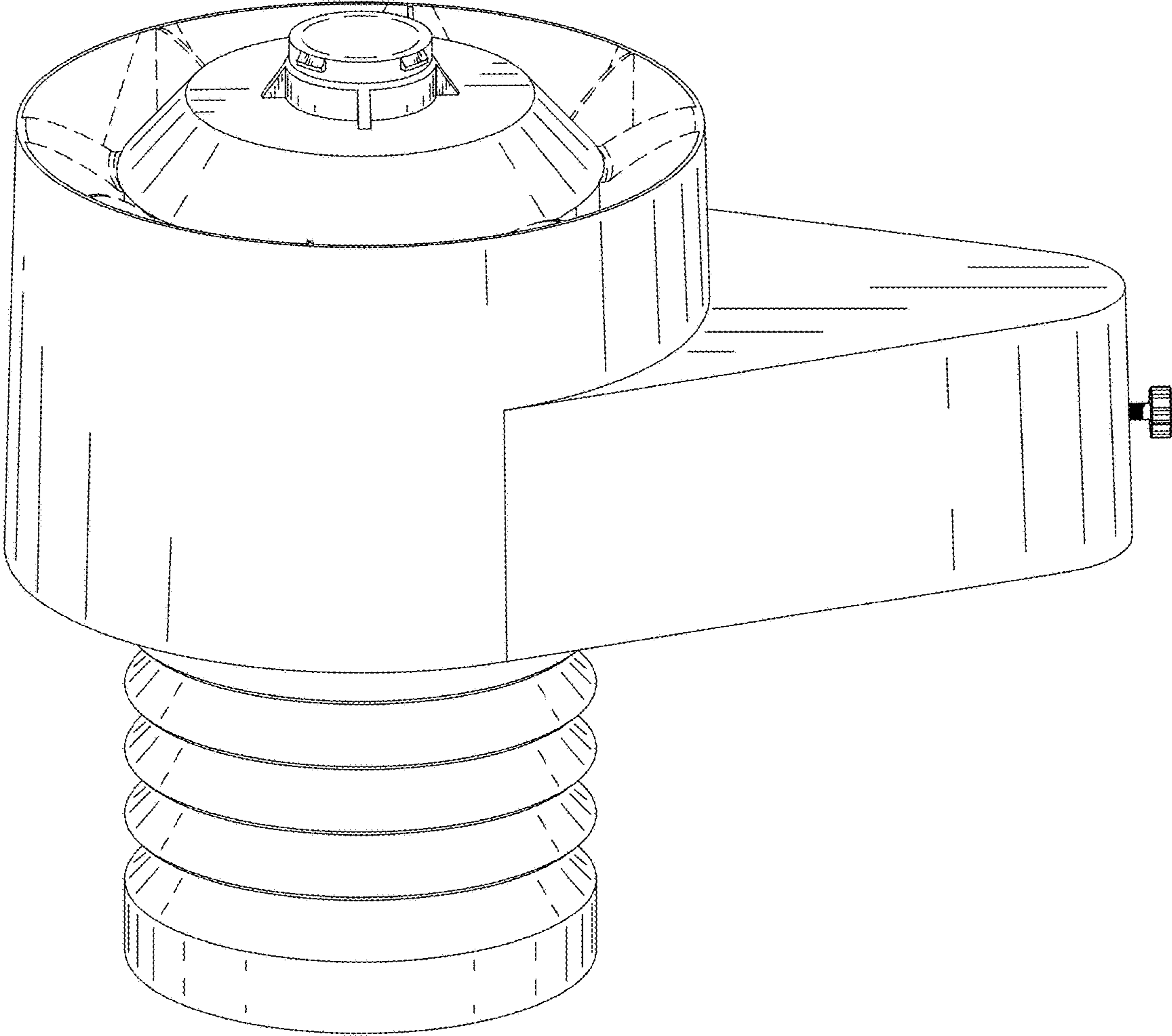


Figure 7