



US00D850299S

(12) **United States Design Patent**
Zhang

(10) **Patent No.:** **US D850,299 S**
(45) **Date of Patent:** **** Jun. 4, 2019**

(54) **AIR QUALITY MONITOR**

1/46; G01M 9/06; G01K 13/02; G01K
13/028; G01P 13/025; G01P 5/165; G01P
5/14

(71) Applicant: **Opustyle Technology Co., Ltd.**,
Shenzhen (CN)

See application file for complete search history.

(72) Inventor: **Yinhu Zhang**, Shenzhen (CN)

(56) **References Cited**

(73) Assignee: **OPUSTYLE TECHNOLOGY CO.,
LTD.**, Shenzhen (CN)

U.S. PATENT DOCUMENTS

(**) Term: **15 Years**

(21) Appl. No.: **29/632,928**

| | | | | | |
|-----------|------|---------|-----------|-------|---------------------------|
| D446,135 | S * | 8/2001 | Chen | | D10/57 |
| 6,729,196 | B2 * | 5/2004 | Moler | | B01D 21/2455 73/863.22 |
| 7,178,381 | B2 * | 2/2007 | Tajima | | G01N 1/2205 73/31.02 |
| 7,281,404 | B2 * | 10/2007 | Peng | | G01N 1/2226 73/1.03 |
| D597,865 | S * | 8/2009 | Bernard | | D10/52 |
| D597,866 | S * | 8/2009 | Bernard | | D10/52 |
| D749,001 | S * | 2/2016 | Chu | | D10/52 |
| D788,605 | S * | 6/2017 | Rouillard | | D10/57 |
| 9,952,125 | B2 * | 4/2018 | Caruso | | G01N 33/0016 |

(22) Filed: **Jan. 11, 2018**

(30) **Foreign Application Priority Data**

Sep. 19, 2017 (CN) 2017 3 0443193

(51) **LOC (11) Cl.** **10-04**

(52) **U.S. Cl.**
USPC **D10/52; D10/53**

(58) **Field of Classification Search**
USPC D10/52, 53, 55, 56
CPC F24F 11/0017; F24F 2011/0019; F24F
2011/002; F24F 2011/0021; F24F
2011/0023; F24F 2011/0024; F24F
2011/0026; F24F 2011/0027; F24F
2011/0028; F24F 2011/003; F24F
2011/0031; F24F 2011/0032; G01N 1/22;
G01N 1/2202; G01N 1/2205; G01N
1/2208; G01N 1/2211; G01N 1/2214;
G01N 1/2273; G01N 2001/2276; G01N
1/34; G01N 2015/0261; G01N
2015/0266; G01N 2015/0272; G01N
2015/0277; G01N 15/0255; G01N
2001/2279; G01N 7/00; G01N 7/02;
G01N 7/04; G01N 7/06; G01N 7/08;
G01N 7/10; G01N 7/12; G01N 7/14;
G01N 7/16; G01N 7/18; G01N 7/20;
G01N 7/22; G01N 33/009-0075; G01N
25/04; H04B 17/23; B64D 43/02; B64D
15/14; B64D 15/20; B64D 15/12; G01F

* cited by examiner

Primary Examiner — Antoine Duval Davis

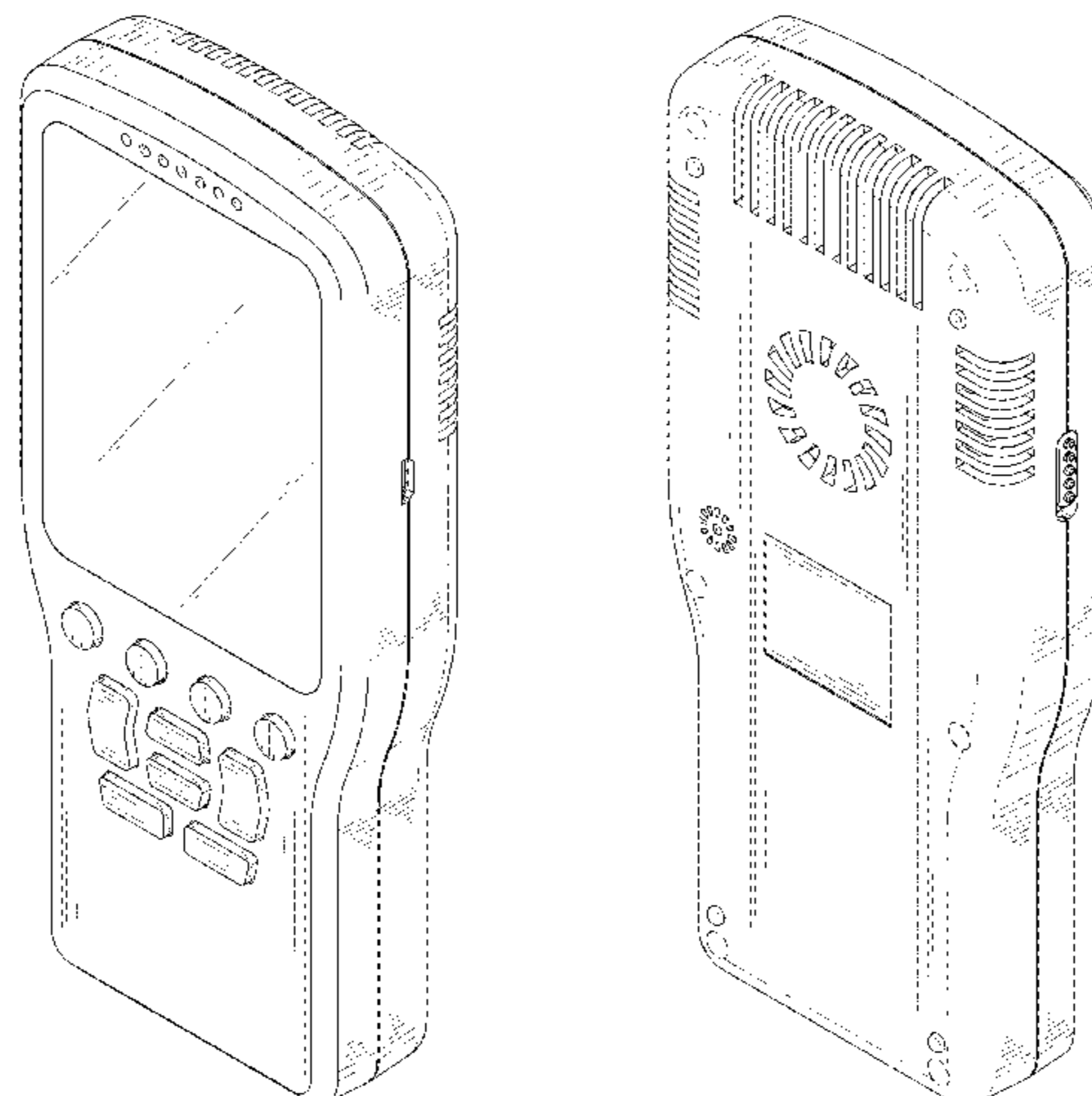
(57) **CLAIM**

The ornamental design for an air quality monitor, as shown.

DESCRIPTION

FIG. 1 is a front perspective view of an air quality monitor showing my new design;
FIG. 2 is a rear perspective view thereof;
FIG. 3 is a front elevational view thereof;
FIG. 4 is a rear elevational view thereof;
FIG. 5 is a left side elevational view thereof;
FIG. 6 is a right side elevational view thereof;
FIG. 7 is a top plan view thereof; and,
FIG. 8 is a bottom plan view thereof.
The broken lines are for the purpose of illustrating portions of the air quality monitor that form no part of the claimed design.

1 Claim, 8 Drawing Sheets



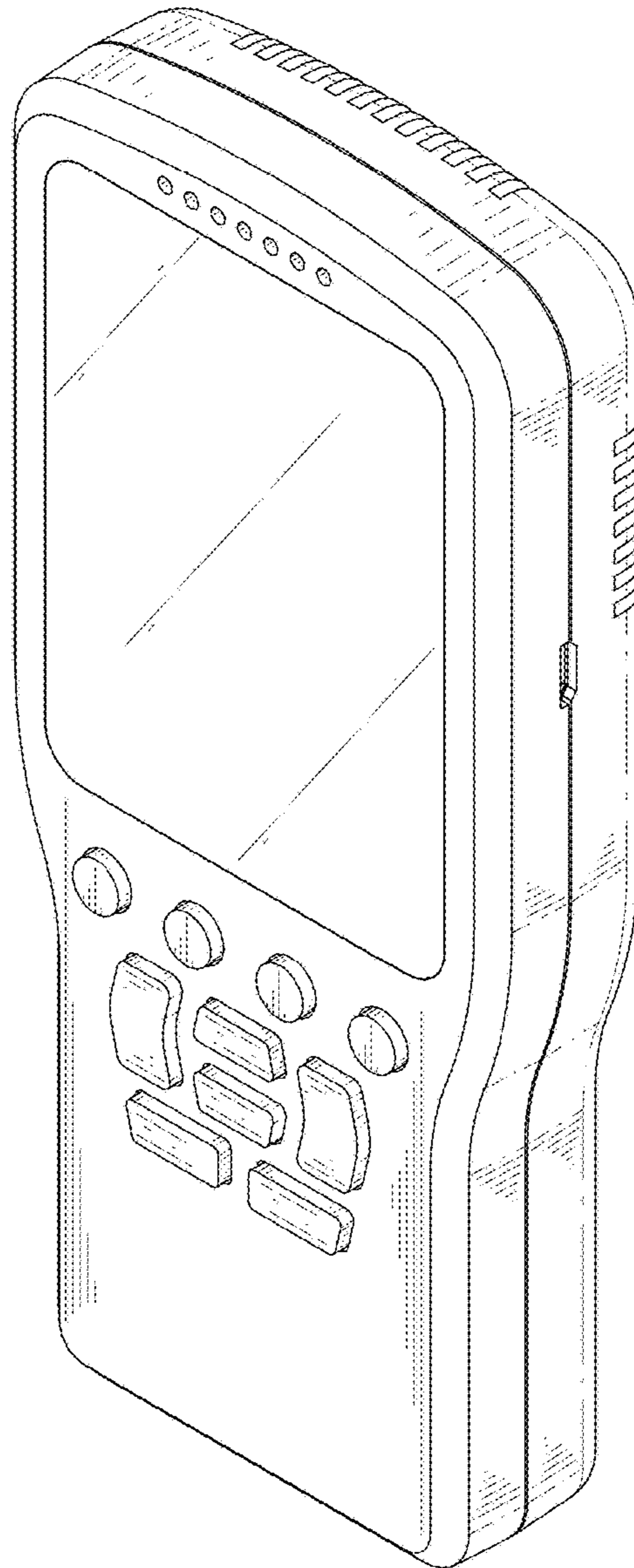


FIG. 1

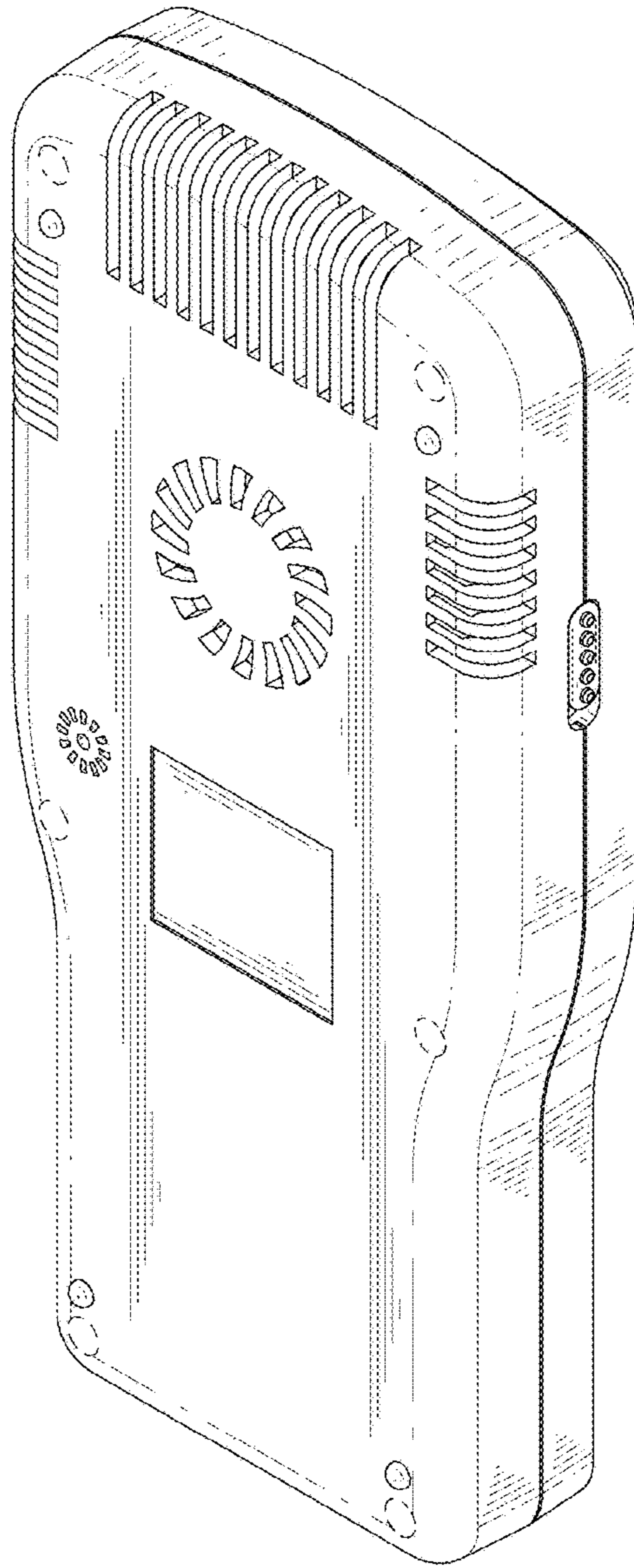


FIG. 2

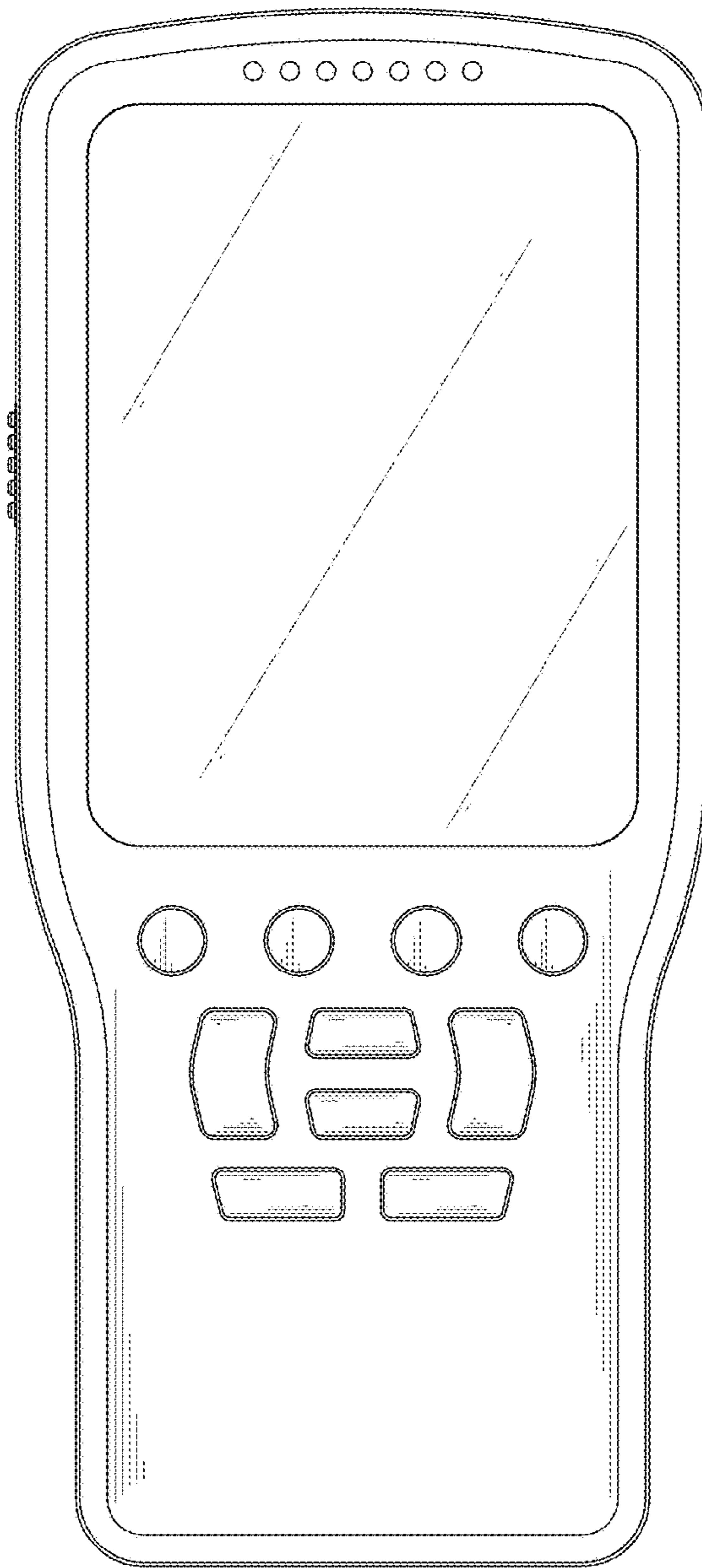


FIG. 3

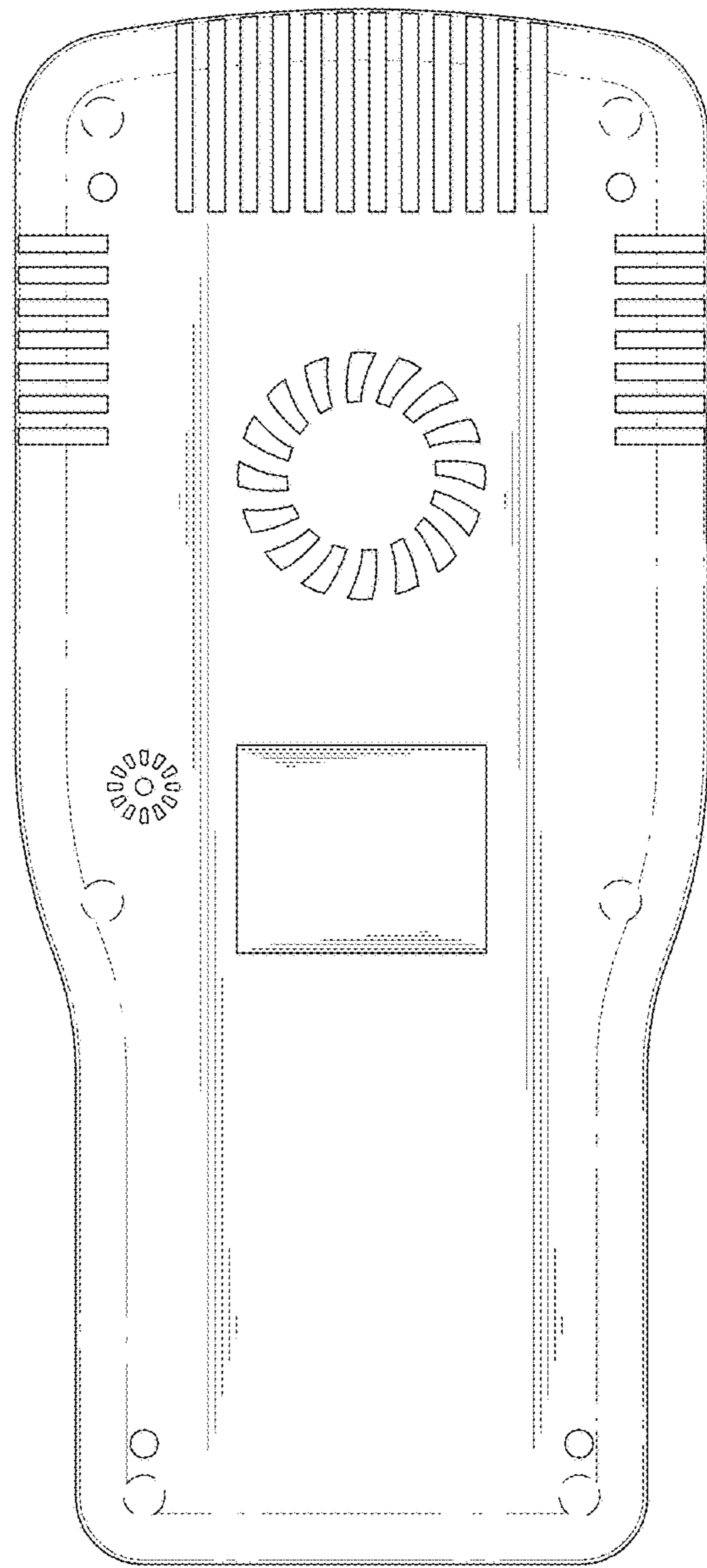


FIG. 4

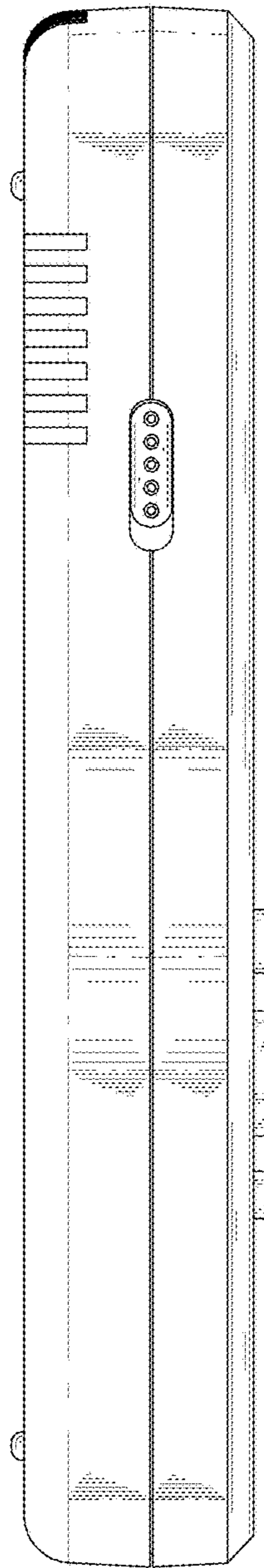


FIG. 5

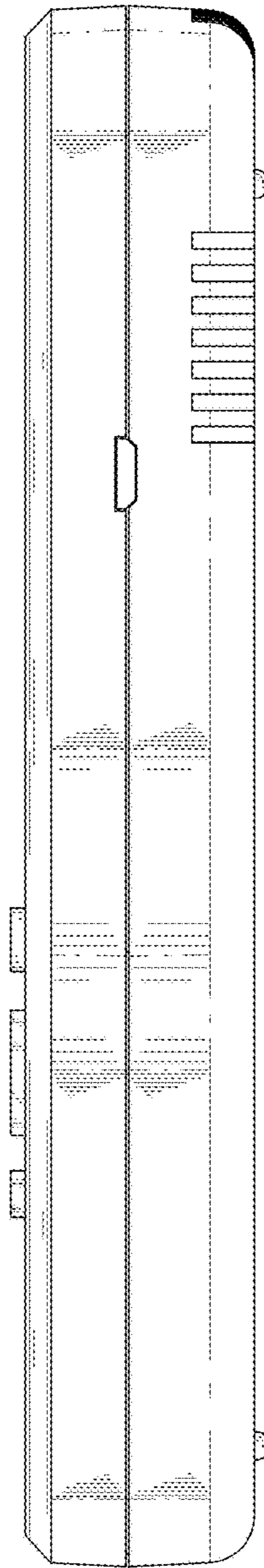


FIG. 6

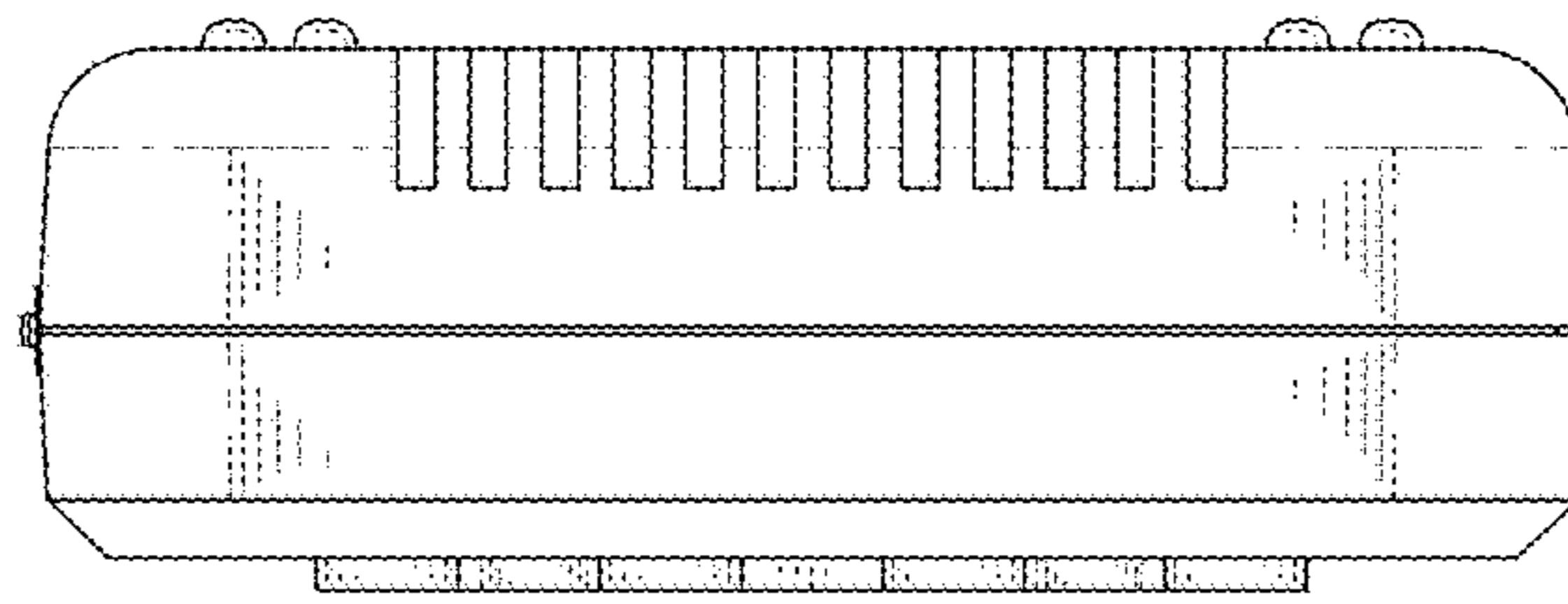


FIG. 7

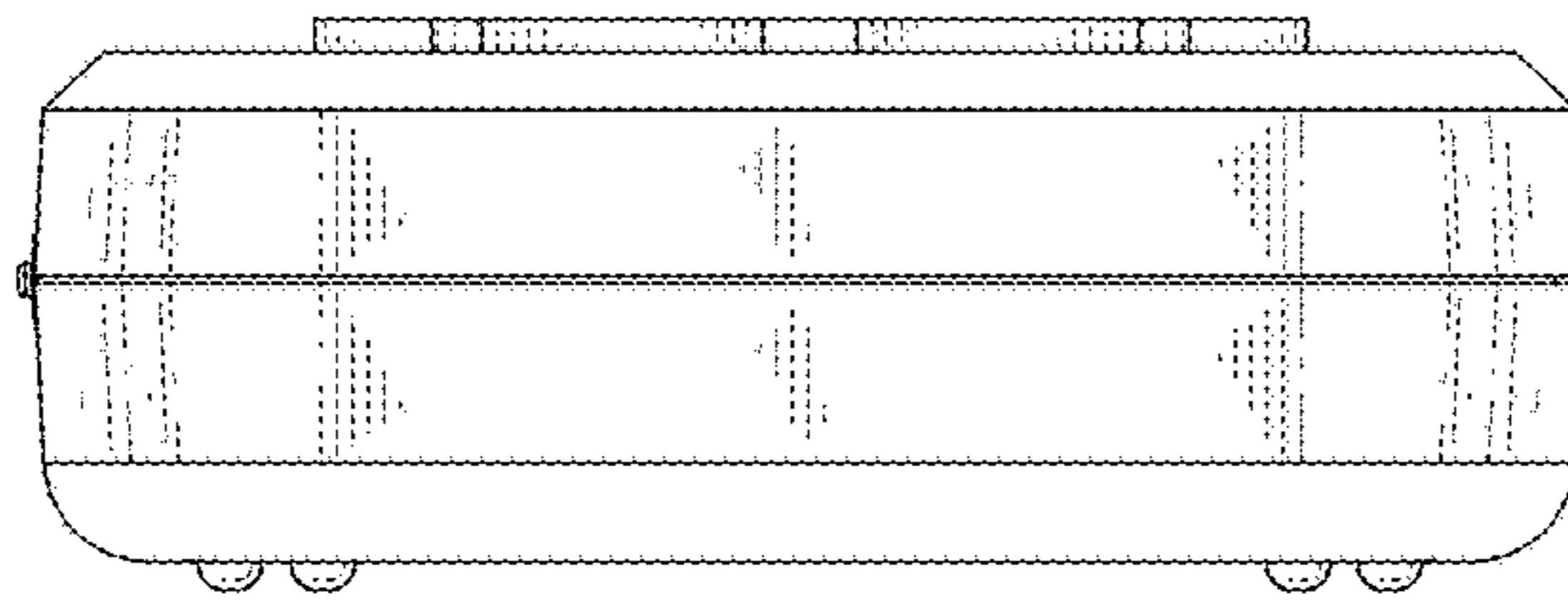


FIG. 8