



US00D850296S

(12) **United States Design Patent** (10) **Patent No.:** **US D850,296 S**  
**Mille** (45) **Date of Patent:** **\*\* Jun. 4, 2019**

(54) **WATCH**

9/088; G04G 9/094; G04G 9/02; G04G 9/04; G04G 9/06

(71) Applicant: **Turlen Holding SA**, Les Breuleux (CH)

See application file for complete search history.

(72) Inventor: **Richard Mille**, Moulins (FR)

(56) **References Cited**

(73) Assignee: **TURLEN HOLDING SA**, Les Breuleux (CH)

U.S. PATENT DOCUMENTS

(\*\*) Term: **15 Years**

D456,274	S	*	4/2002	Mille	.....	D10/30
D570,710	S	*	6/2008	Wong	.....	D10/30
D596,051	S	*	7/2009	Mille	.....	D10/38
D606,888	S	*	12/2009	Mille	.....	D10/38
D617,211	S	*	6/2010	Grimoldi	.....	D10/38
D710,216	S	*	8/2014	Mille	.....	D10/38
D713,743	S	*	9/2014	Mille	.....	D10/39

(21) Appl. No.: **29/634,718**

(Continued)

(22) Filed: **Jan. 24, 2018**

OTHER PUBLICATIONS

(30) **Foreign Application Priority Data**

Aug. 24, 2017 (WO) ..... DM/097472

Richard Mille RM 53-01 Tourbillon Pablo McDonough | posted at hodkinkee.com Feb. 1, 2018 © 2009-2018, Hodinkee Inc. [online][site visited Oct. 19, 2018]. Available from internet: <<https://www.hodinkee.com/articles/richard-nmille-rm-53-01-tourbillon-pablo-mcdonough-hands-on>> (Year: 2018).\*

(51) **LOC (11) Cl.** ..... **10-02**

(52) **U.S. Cl.**  
USPC ..... **D10/39**

*Primary Examiner* — Sandra S Snapp

*Assistant Examiner* — Katherine Glennon

(58) **Field of Classification Search**

USPC ..... D10/30-34, 36-39, 122-128, 132;  
D11/3, 16, 40, 80, 89-91, 94;  
D14/485-487, 490, 492; D24/167, 186  
CPC ..... G04B 19/00; G04B 19/06; G04B 19/065;  
G04B 19/08; G04B 19/082; G04B 19/10;  
G04B 19/103; G04B 19/12; G04B 47/00;  
G04B 47/042; G04B 47/06; G04B 47/04;  
G04B 47/063; G04B 19/223; G04B  
19/22; G04B 19/283; G04B 37/00; G04B  
37/0008; G04B 37/12; G04B 37/1486;  
G04B 37/0058; G04B 45/00; G04B  
45/0038; G04B 45/0069; G04B 45/0076;  
A44C 5/00; A44C 5/0053; G04F 3/04817;  
G04F 3/04886; H04N 5/443; H04N  
5/445; G04G 9/00; G04G 9/082; G04G

(74) *Attorney, Agent, or Firm* — Donald J. Ranft; Collen

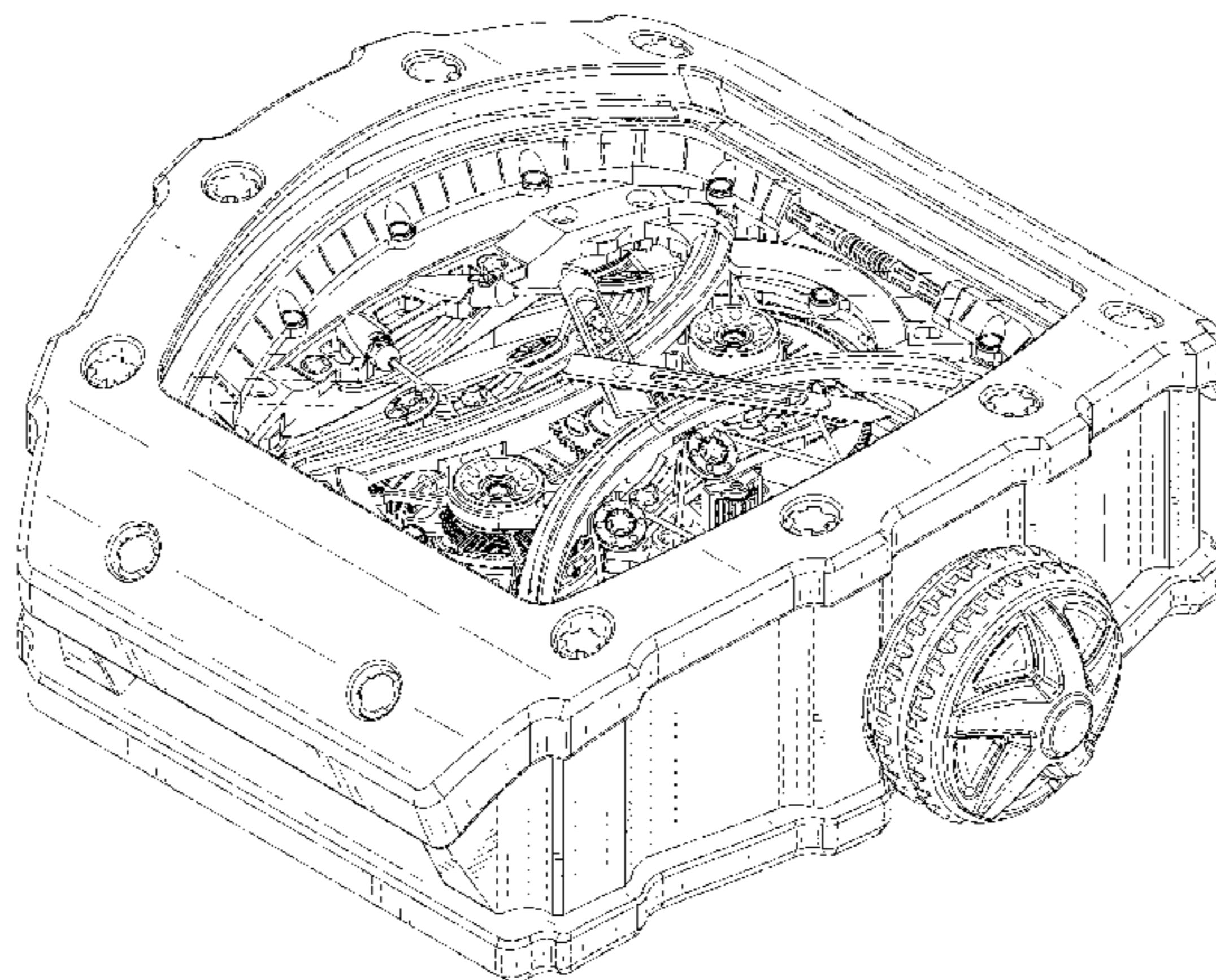
(57) **CLAIM**

The ornamental design for a watch, as shown and described.

**DESCRIPTION**

FIG. 1 is a front right perspective view of a watch showing my new design;  
FIG. 2 is a rear left perspective view thereof;  
FIG. 3 is a front left perspective view thereof;  
FIG. 4 is a rear right perspective view thereof;  
FIG. 5 is a front view thereof;  
FIG. 6 is a rear view thereof;  
FIG. 7 is a right side view thereof;  
FIG. 8 is a left side view thereof;  
FIG. 9 is a bottom view thereof; and,  
FIG. 10 is a top view thereof.

(Continued)



The portions of the watch shown in broken lines form no part of the claimed design.

**1 Claim, 8 Drawing Sheets**

(56) **References Cited**

U.S. PATENT DOCUMENTS

D714,662	S	*	10/2014	Mille	.....	D10/39
D755,646	S	*	5/2016	Mille	.....	D10/125
D773,942	S	*	12/2016	Kweton	.....	D10/38
D789,807	S	*	6/2017	Mille	.....	D10/30
D823,138	S	*	7/2018	Mille	.....	D10/39
D823,141	S	*	7/2018	Mille	.....	D10/39
2009/0268565	A1	*	10/2009	Salathe	.....	G04B 17/285 368/131

\* cited by examiner

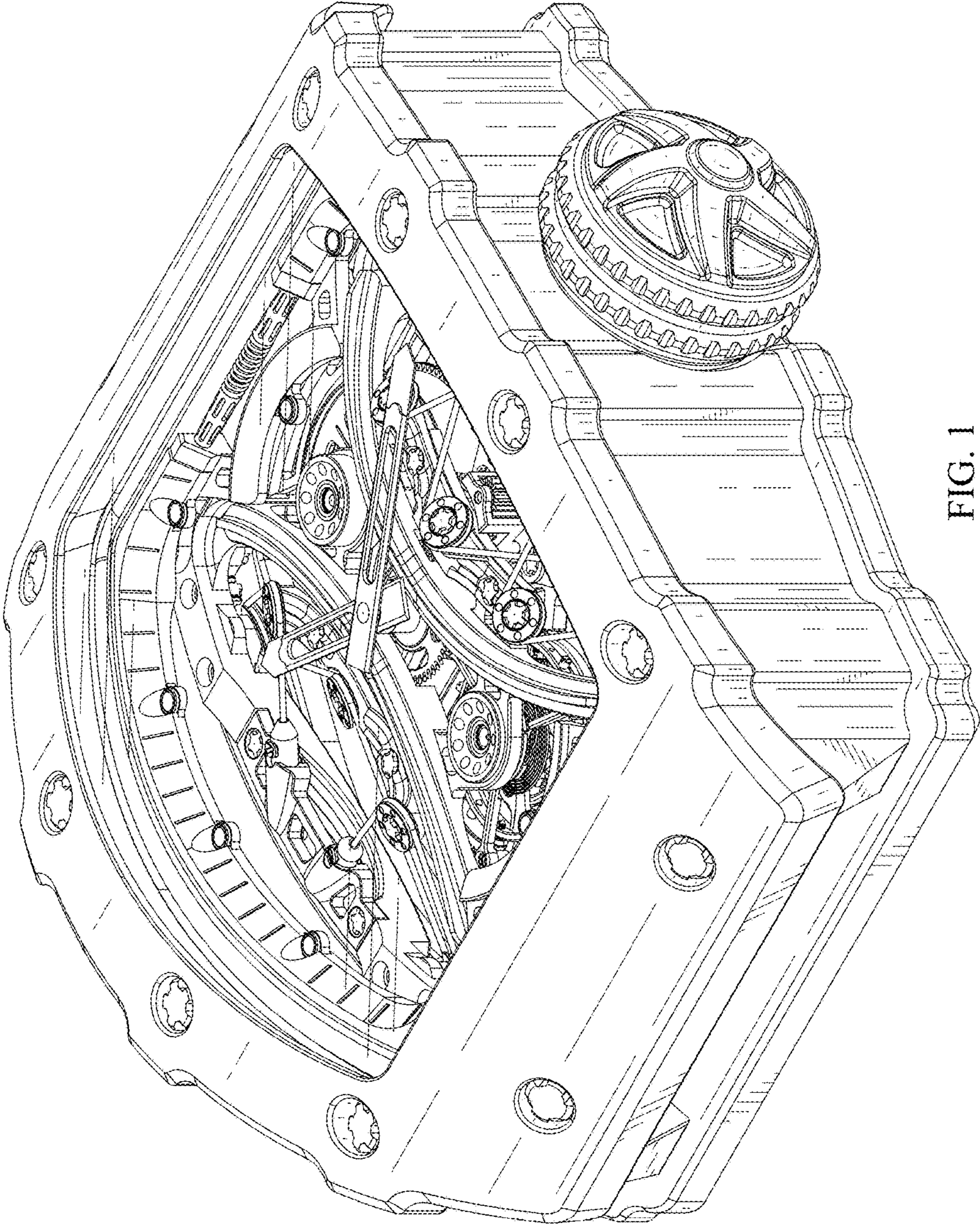


FIG. 1

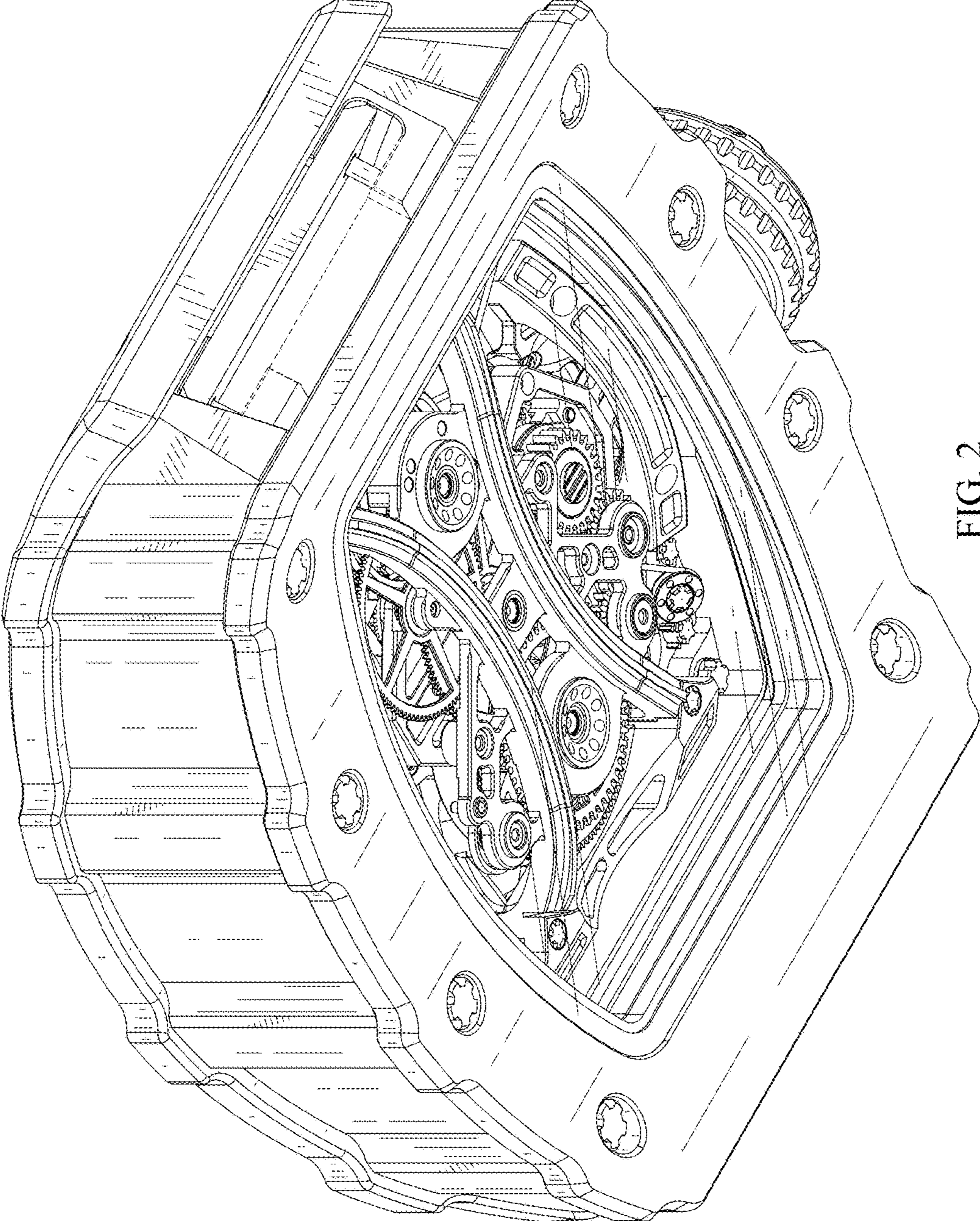


FIG. 2

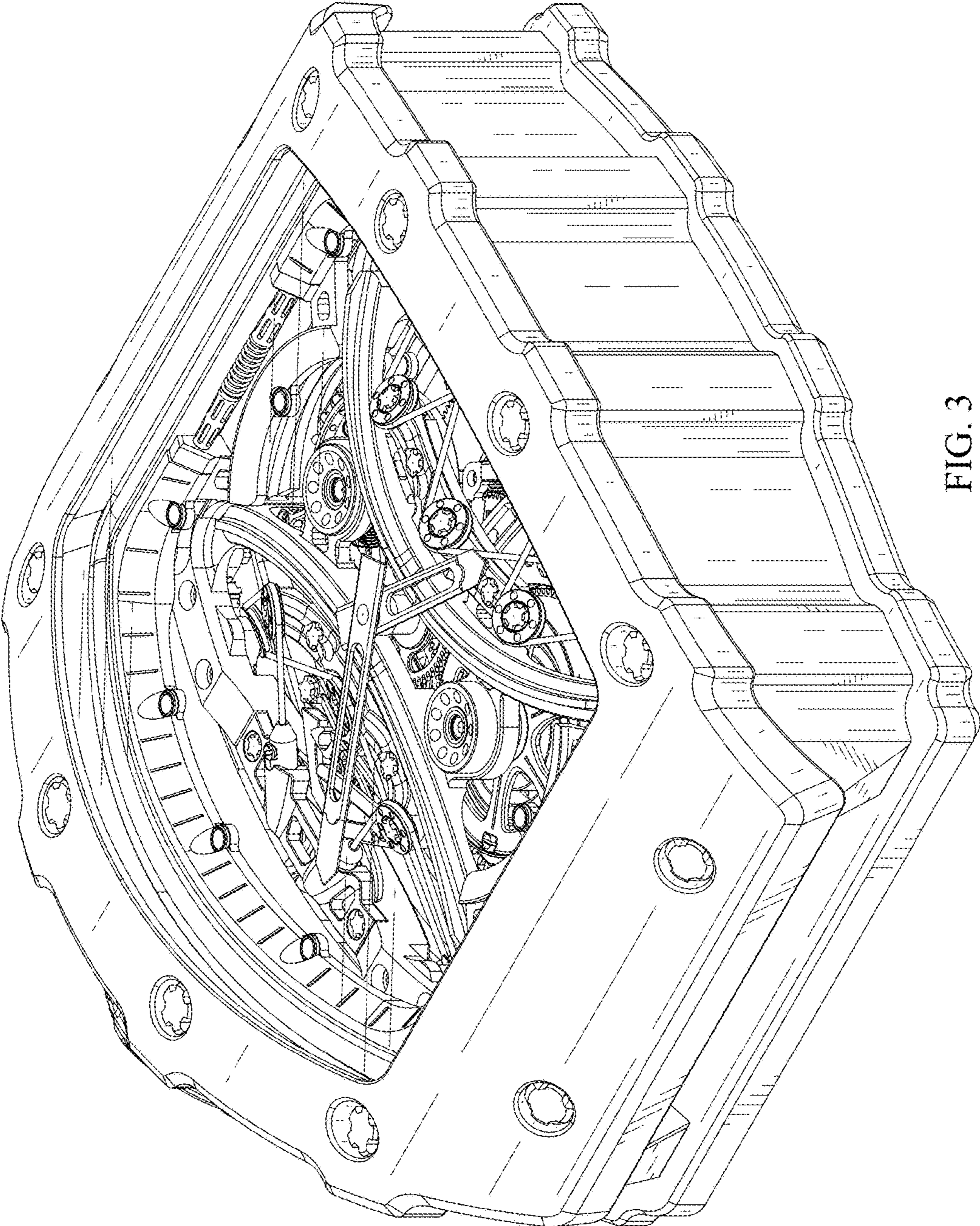


FIG. 3

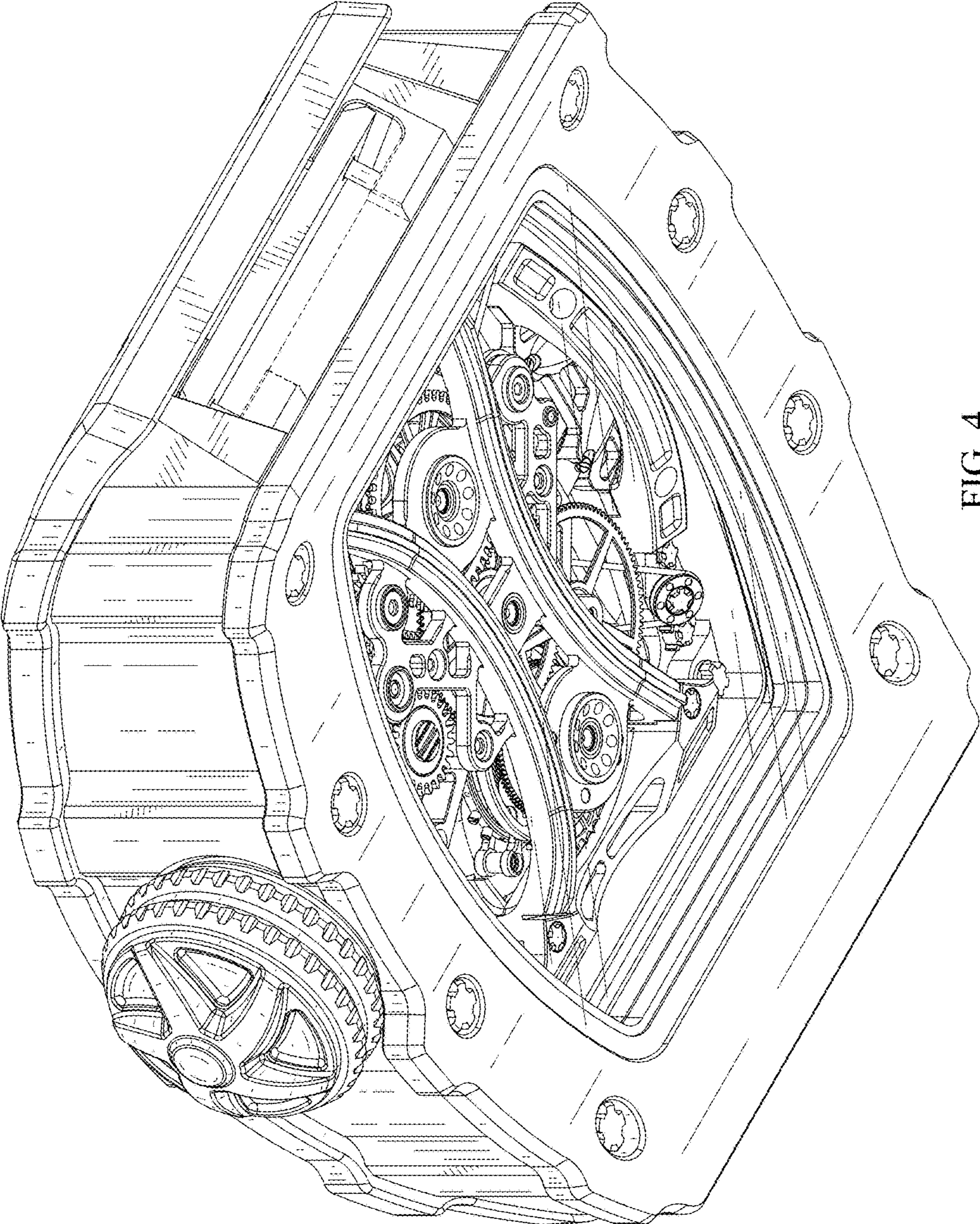


FIG. 4



FIG. 5

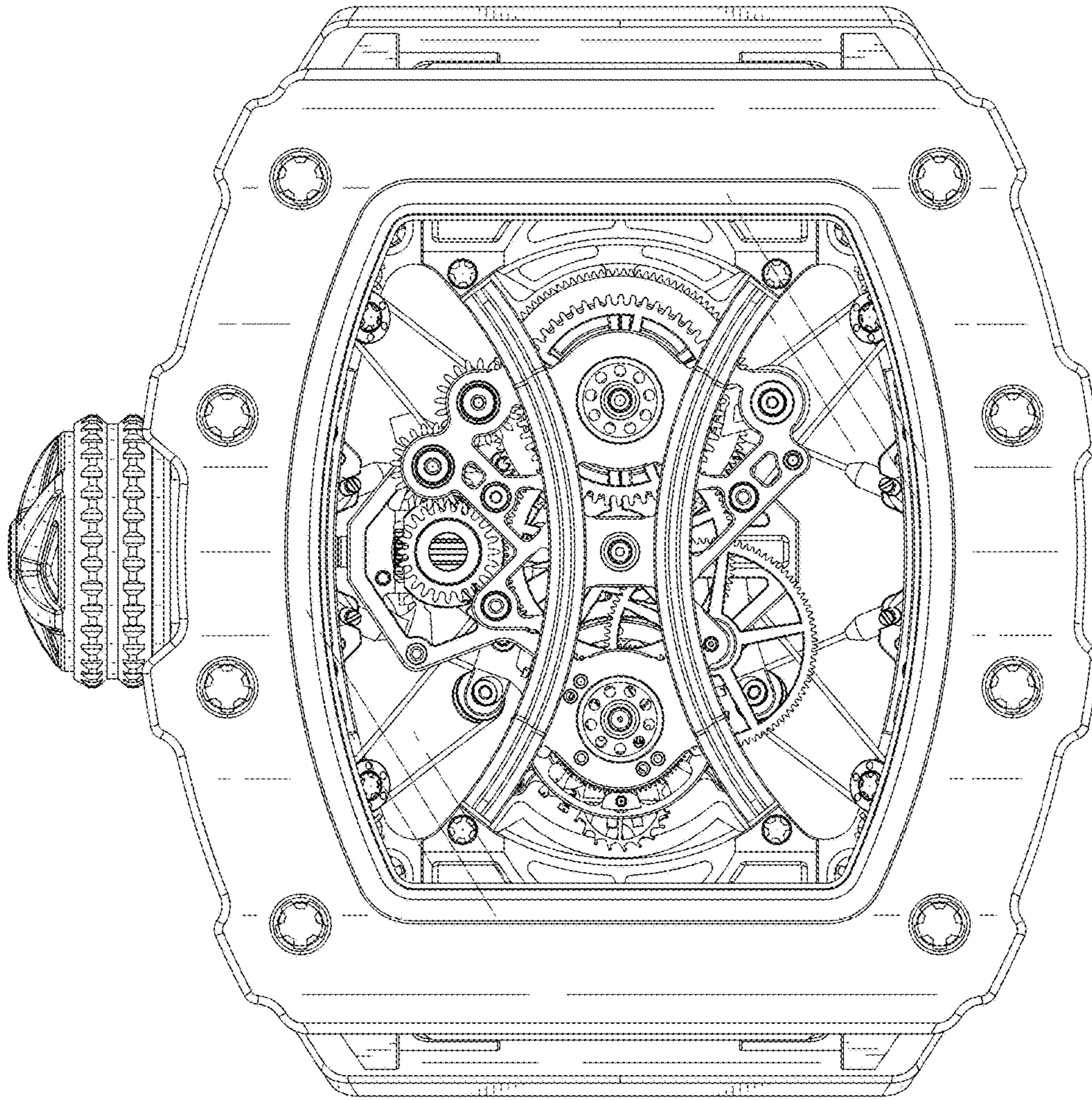


FIG. 6



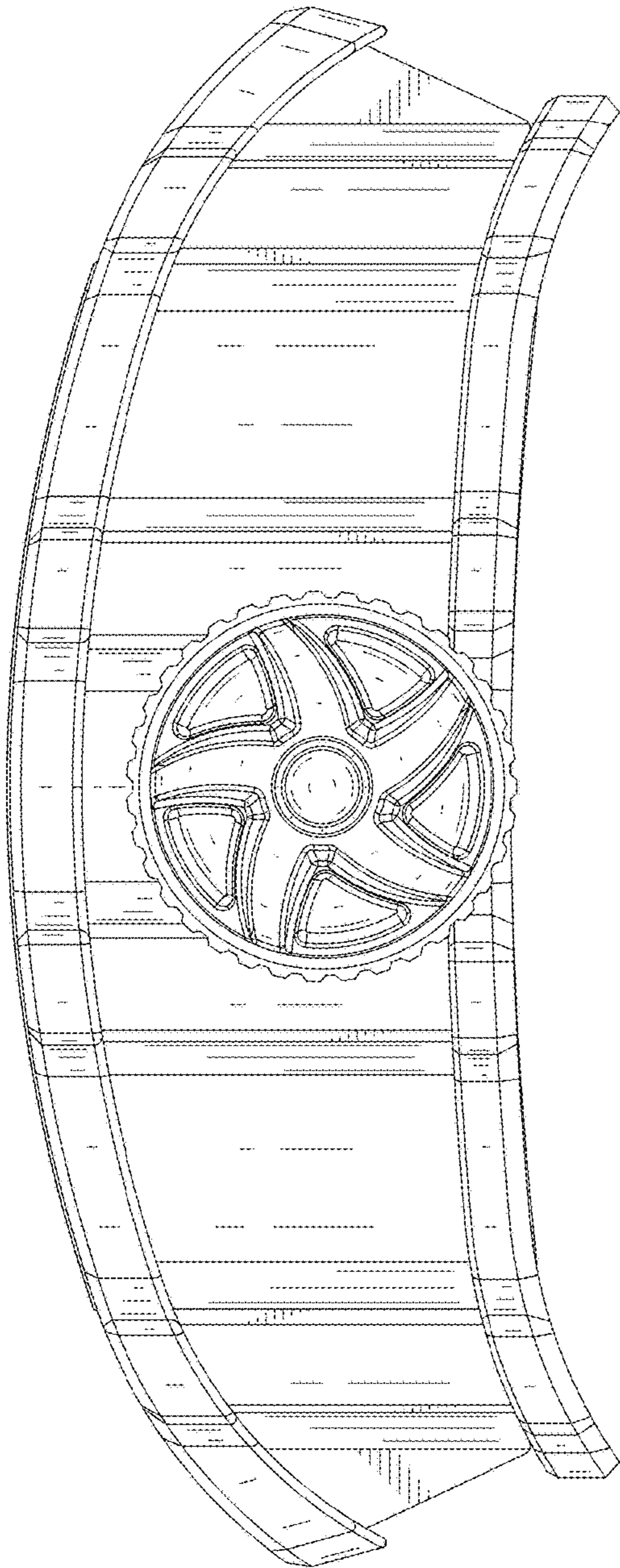


FIG. 7

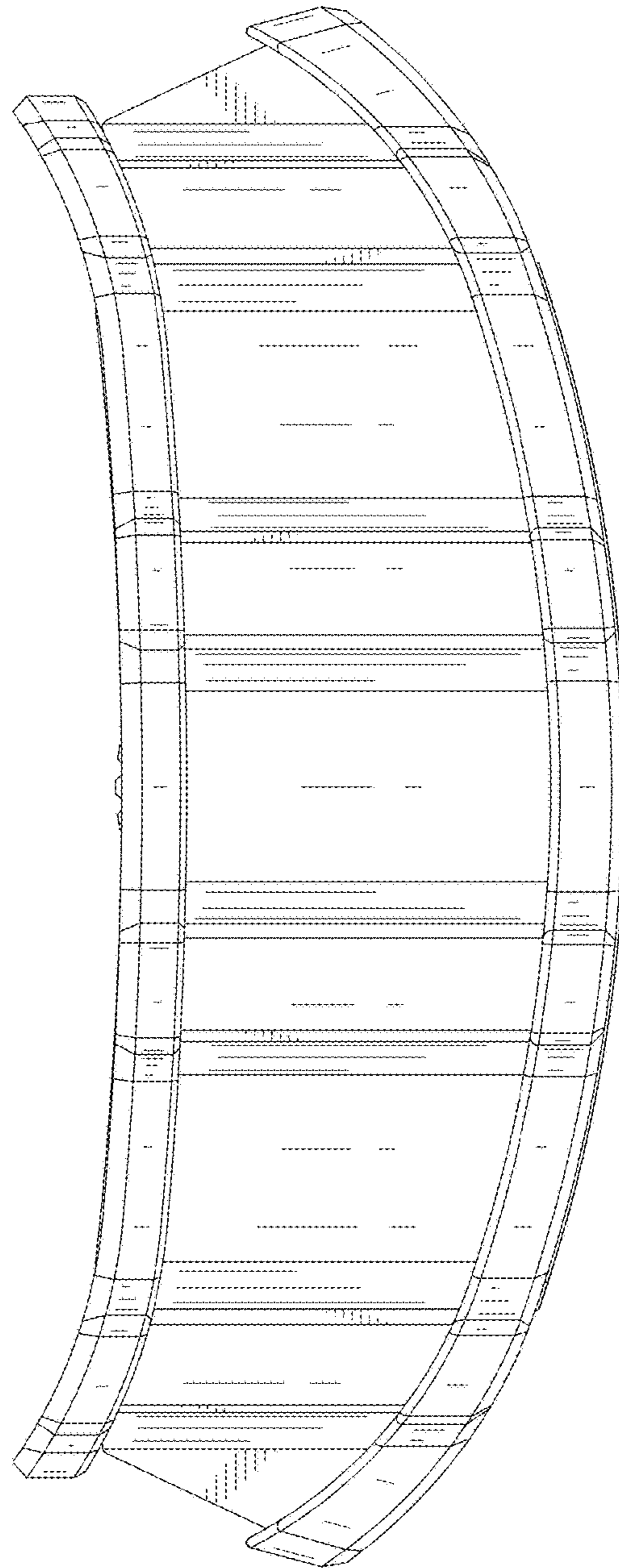


FIG. 8

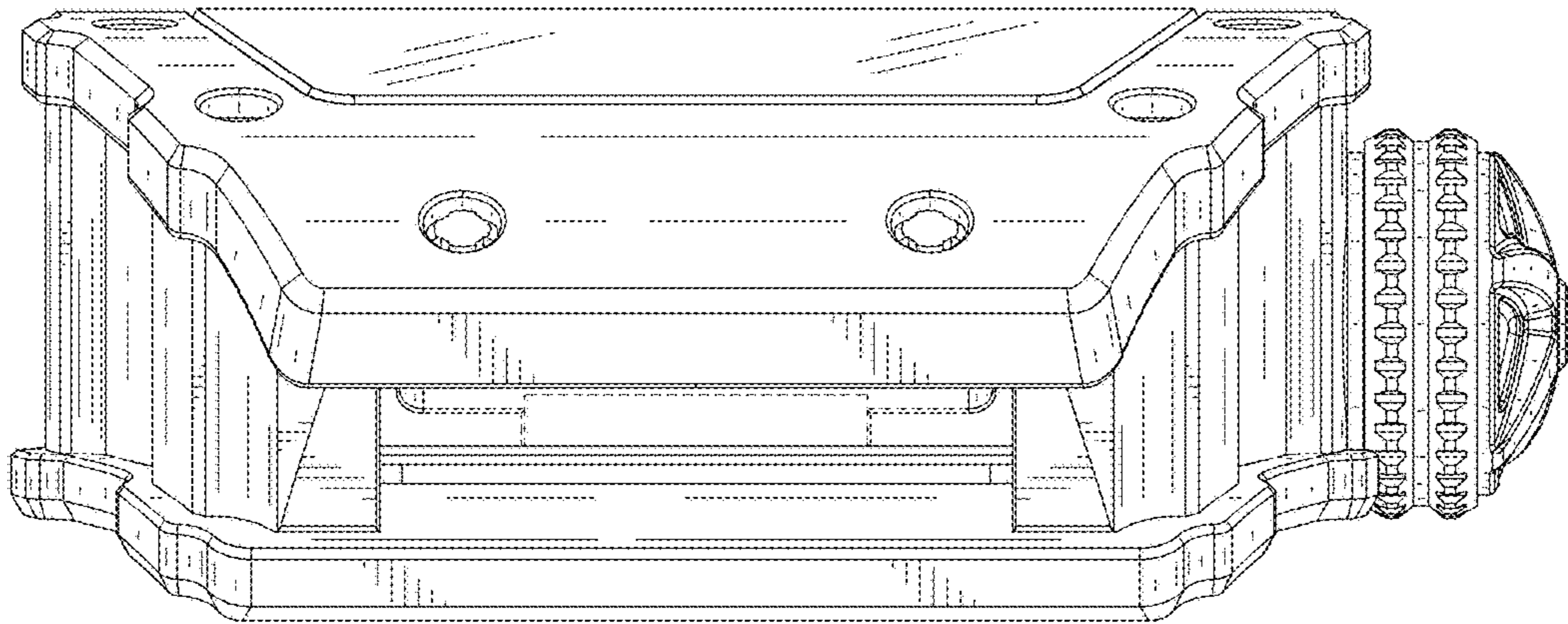


FIG. 9

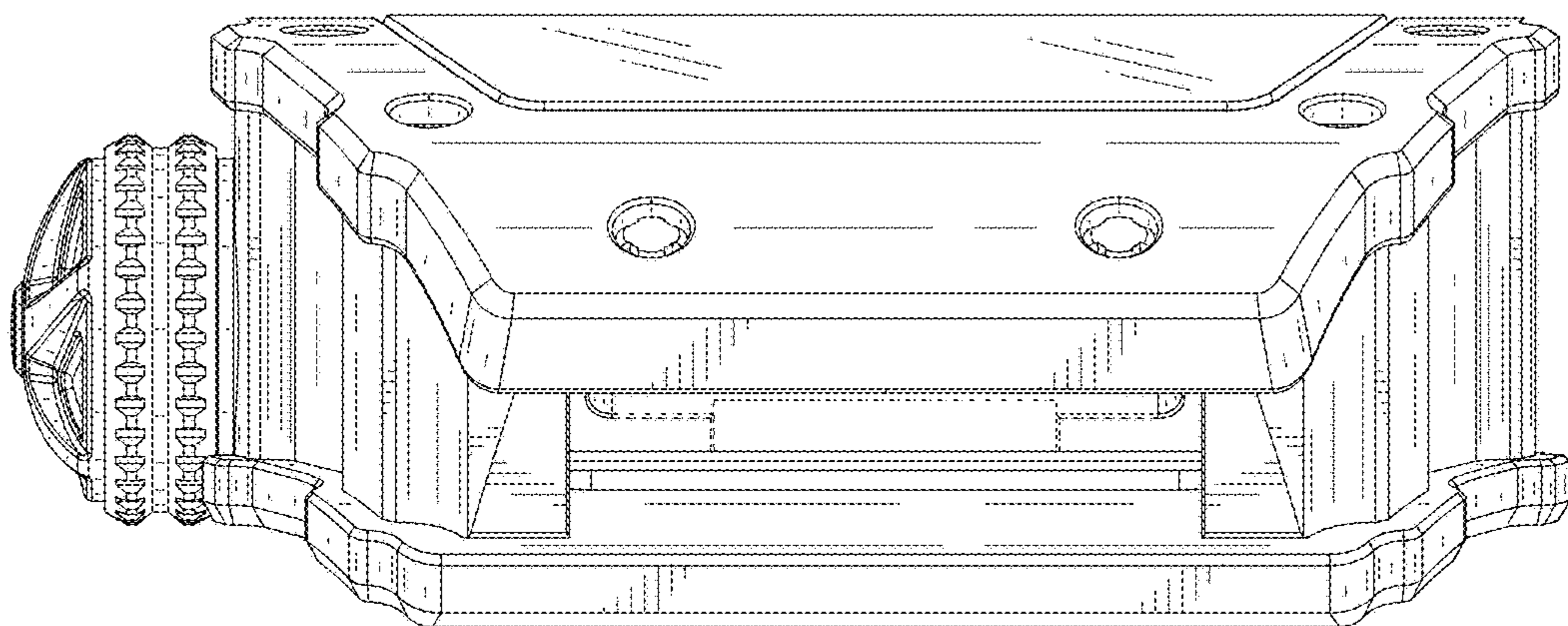


FIG. 10