



US00D850293S

(12) **United States Design Patent** (10) **Patent No.:** **US D850,293 S**  
**Burns** (45) **Date of Patent:** **\*\* Jun. 4, 2019**

(54) **COMBINED WATCH AND RETRACTABLE SKI PASS HOLDER**

FOREIGN PATENT DOCUMENTS

(71) Applicant: **Rosemarie Burns**, Tuckahoe, NY (US)

WO WO9114485 10/1991  
WO WO9200784 1/1992

(72) Inventor: **Rosemarie Burns**, Tuckahoe, NY (US)

OTHER PUBLICATIONS

(\*\*) Term: **15 Years**

Key-Bak Retract-A-Badge | posted at opticsplanet.com no date [online]. © 1999-2019 OpticsPlanet, Inc. [retrieved Feb. 11, 2019] from Internet: <<https://www.opticsplanet.com/key-bak-retract-a-badge-id-5-pack-retractable-reel-w-36in-cord.html>> (Year: 2019).\*

(21) Appl. No.: **29/648,626**

(Continued)

(22) Filed: **May 23, 2018**

(51) **LOC (11) Cl.** ..... **10-02**

(52) **U.S. Cl.**

USPC ..... **D10/37; D10/2; D10/22**

(58) **Field of Classification Search**

USPC ..... D10/1-3, 6, 10, 30-39, 40-41, 98, 102, D10/122-129, 131-132; D8/330-331, D8/333-335

See application file for complete search history.

*Primary Examiner* — Sandra S Snapp

*Assistant Examiner* — Katherine Glennon

(74) *Attorney, Agent, or Firm* — Goldstein Law Offices, P.C.

(57) **CLAIM**

The ornamental design for a combined watch and retractable ski pass holder, as shown and described.

(56) **References Cited**

**DESCRIPTION**

U.S. PATENT DOCUMENTS

D120,657	S	*	5/1940	Turnheim	.....	D10/33
D154,210	S	*	6/1949	Okun	.....	D10/31
2,475,961	A		7/1949	Hilbert		
D159,278	S	*	7/1950	Leland	.....	D10/31
2,699,848	A		1/1955	Kaplan		
D201,255	S	*	6/1965	Czapar	.....	D10/102
3,767,036	A		10/1973	McLeod		
3,837,548	A		9/1974	Nerger		
4,126,254	A		11/1978	Sahakian		
4,161,268	A		7/1979	Heil		
4,238,063	A		12/1980	O'Dair		
D279,459	S	*	7/1985	On	.....	D10/15
D289,739	S	*	5/1987	Froidevaux	.....	D10/37
4,867,307	A		9/1989	Bovee		
D312,578	S	*	12/1990	Kumakura	.....	D10/22
D320,355	S	*	10/1991	Boyer	.....	D10/30
D321,327	S	*	11/1991	O'Connell	.....	D10/33

(Continued)

FIG. 1 is a perspective view of a combined watch and retractable ski pass holder in full lines.

FIG. 2 is a left side elevational view of the combined watch and retractable ski pass holder.

FIG. 3 is a right side elevational view thereof.

FIG. 4 is a front elevational view thereof.

FIG. 5 is a rear elevational view thereof.

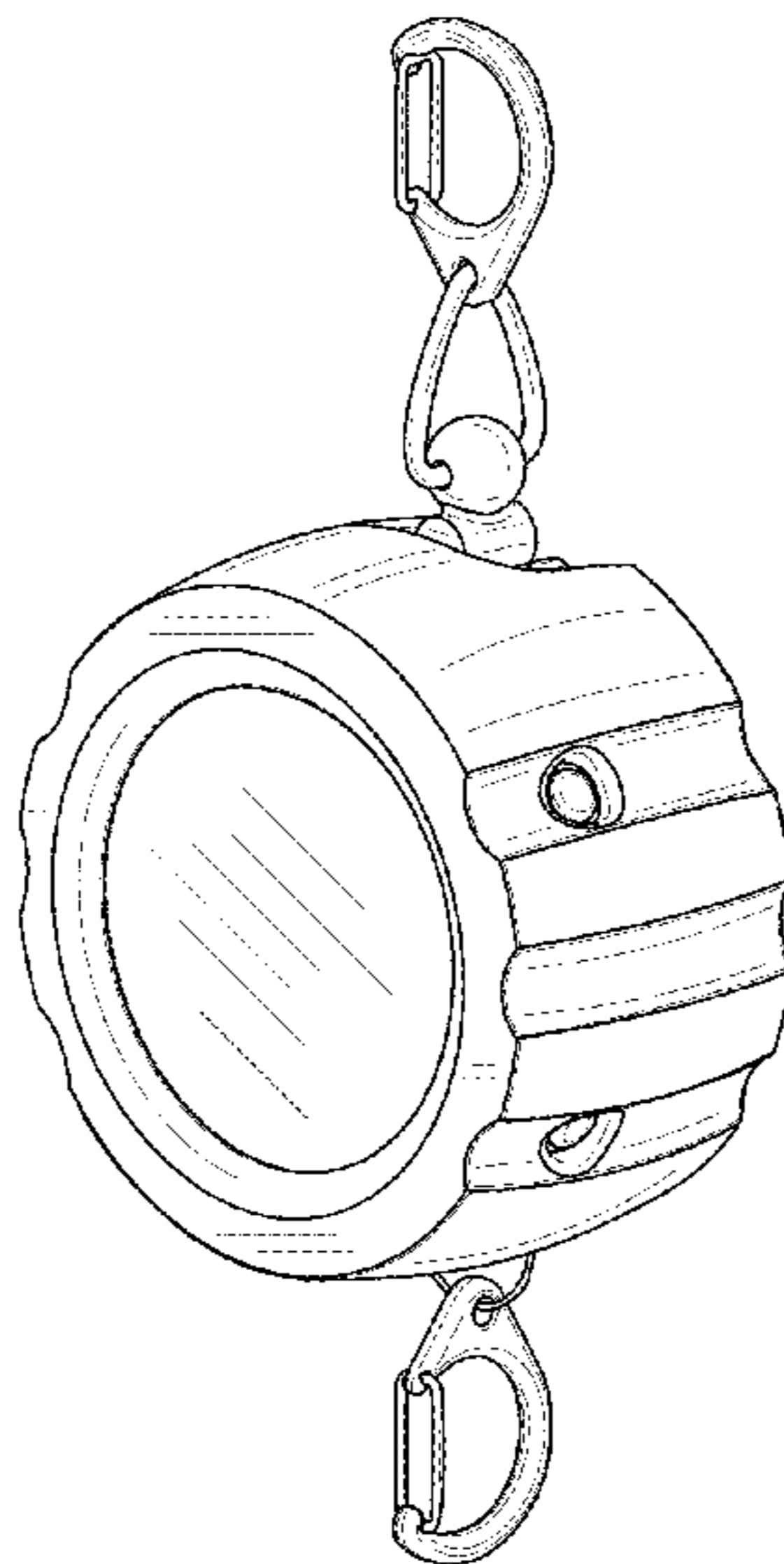
FIG. 6 is a top plan view thereof.

FIG. 7 is a bottom plan view thereof; and,

FIG. 8 is an additional front elevational view showing environment.

The broken lines showing in FIG. 8 are for the purpose of illustrating the environment of the article only and form no part of the claimed design.

**1 Claim, 5 Drawing Sheets**



(56)

References Cited

U.S. PATENT DOCUMENTS

D324,655 S \* 3/1992 Bulgari ..... D10/30  
 5,160,075 A 11/1992 Moscovitch  
 D332,695 S 1/1993 Moscovitch  
 5,192,019 A 3/1993 Meehan  
 D336,435 S \* 6/1993 Yusa ..... D10/15  
 D366,003 S \* 1/1996 Take ..... D10/98  
 5,799,848 A 9/1998 Wills  
 5,828,541 A \* 10/1998 Wu ..... G04B 37/1446  
 368/278  
 D437,787 S \* 2/2001 Ho ..... D10/2  
 6,311,883 B1 11/2001 Greenberg  
 6,450,333 B1 9/2002 McClenahan et al.  
 D471,116 S \* 3/2003 Suzuki ..... D10/40  
 D478,011 S \* 8/2003 Cooper ..... D10/2  
 6,641,390 B2 \* 11/2003 Genuise ..... A45F 5/004  
 206/87  
 D533,467 S \* 12/2006 Modolo ..... D10/31  
 D541,676 S \* 5/2007 Liao ..... D10/38  
 D648,227 S \* 11/2011 Grotell ..... D10/31

D653,967 S \* 2/2012 Blake ..... D10/31  
 D695,207 S \* 12/2013 Dams ..... D10/98  
 D695,514 S \* 12/2013 Young ..... D3/215  
 D730,218 S \* 5/2015 Morse ..... D10/102  
 9,884,702 B1 \* 2/2018 Burns ..... B65D 21/086  
 2007/0125671 A1 6/2007 Stephens  
 2008/0265082 A1 \* 10/2008 Angiuli ..... A45F 5/004  
 242/400  
 2016/0085215 A1 \* 3/2016 Watler, Jr. .... G04B 37/1433  
 368/316  
 2017/0022025 A1 \* 1/2017 Burner ..... G09F 21/02

OTHER PUBLICATIONS

Butterfly Retractable Ski Pass ID Badge Holder | aliexpress.com no posting date [online]. © 2010-2019 AliExpress.com. [retrieved Feb. 11, 2019] from Internet: <<https://www.aliexpress.com/item/Butterfly-Retractable-Ski-Pass-ID-Card-Badge-Holder-Reel-Pull-Key-Name-Tag-Card-Holder-Keychain/32831143044.html>> (Year: 2019).\*

\* cited by examiner

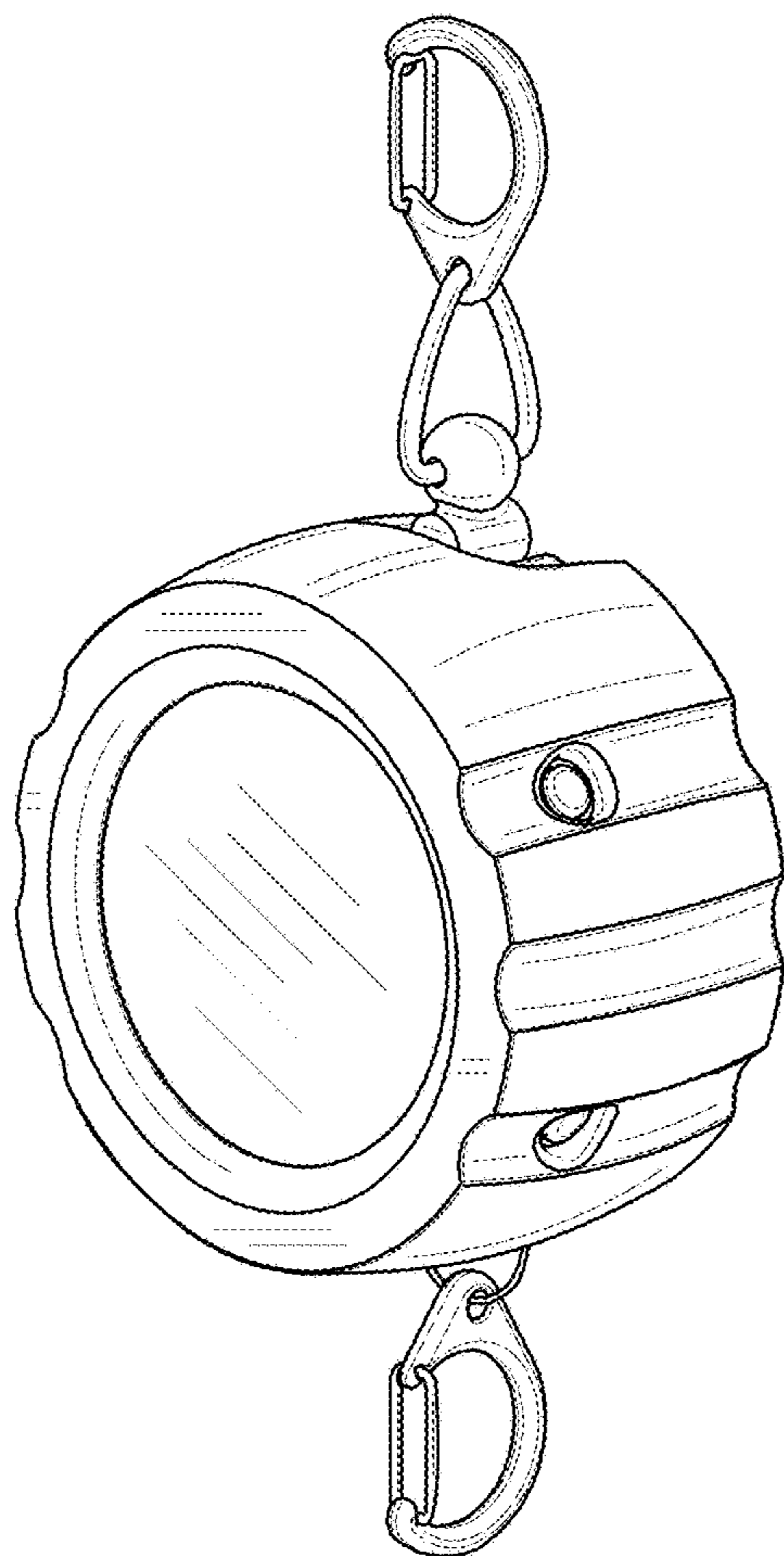


FIG. 1

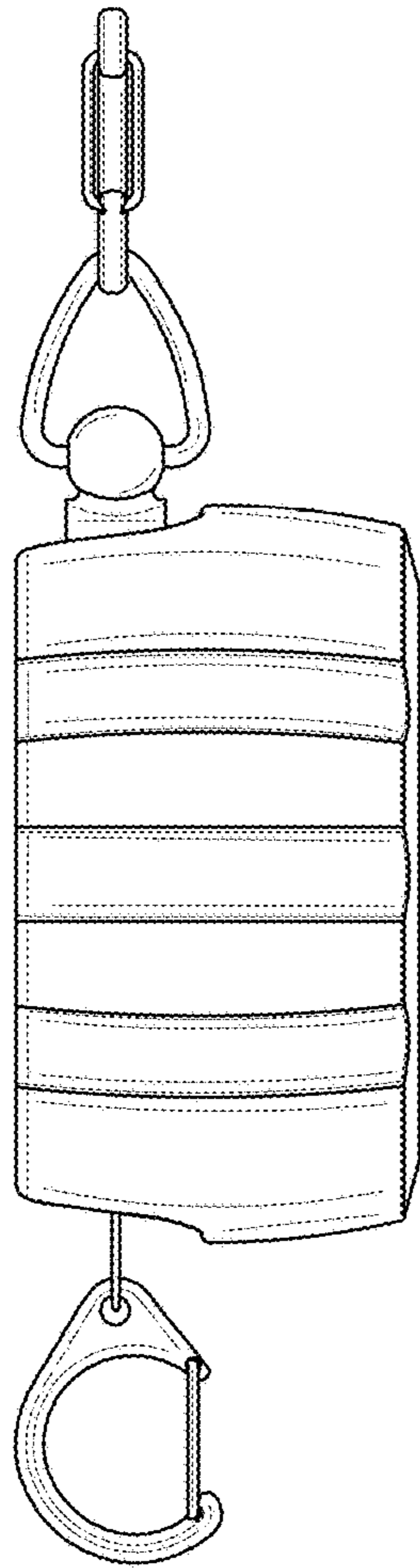


FIG. 2

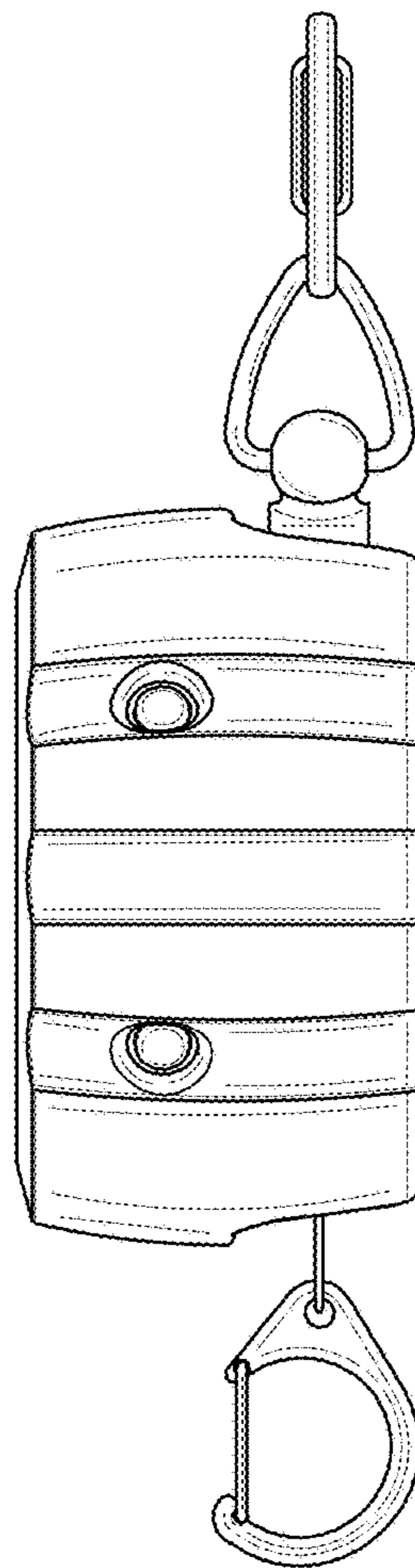
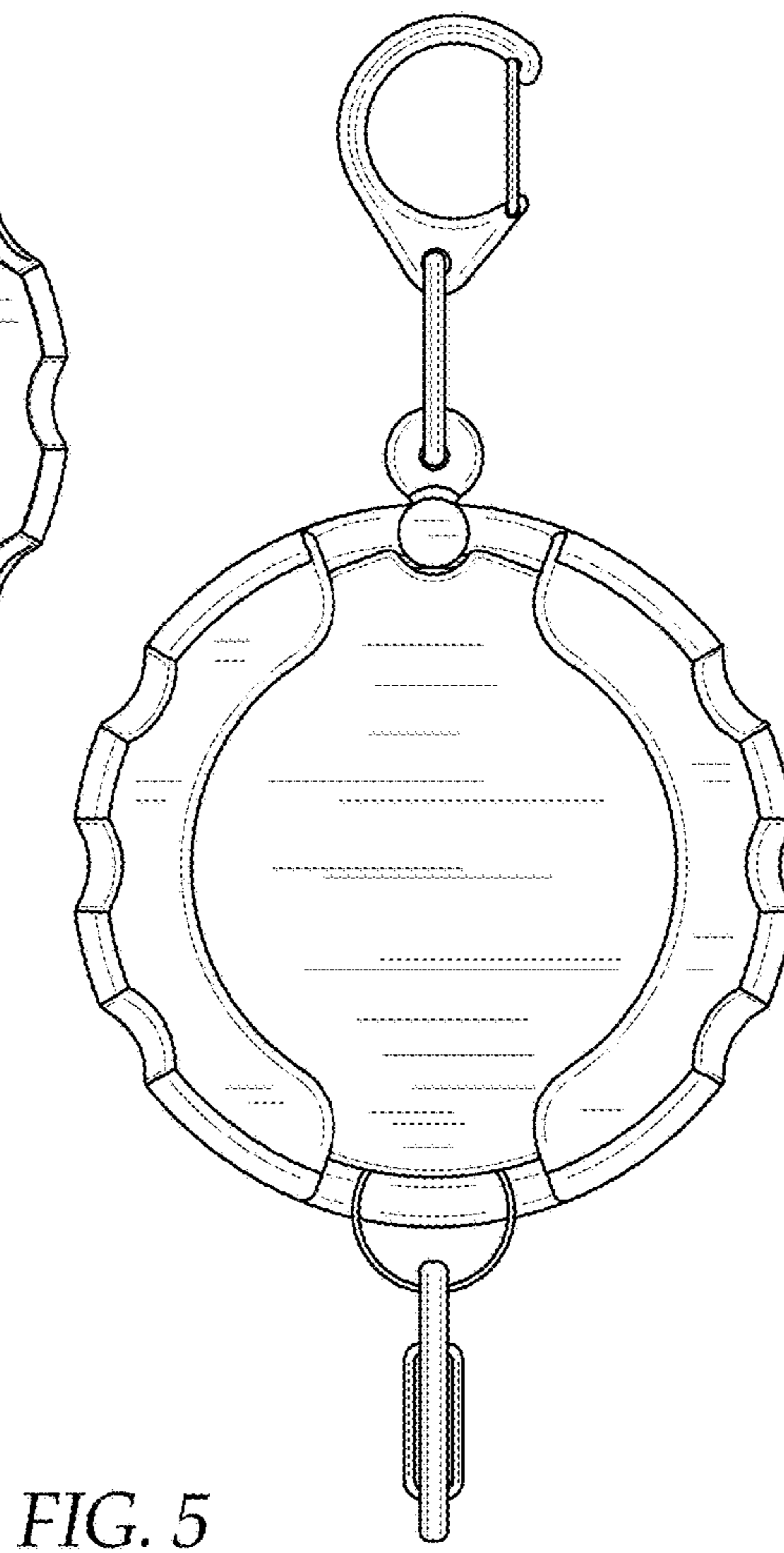
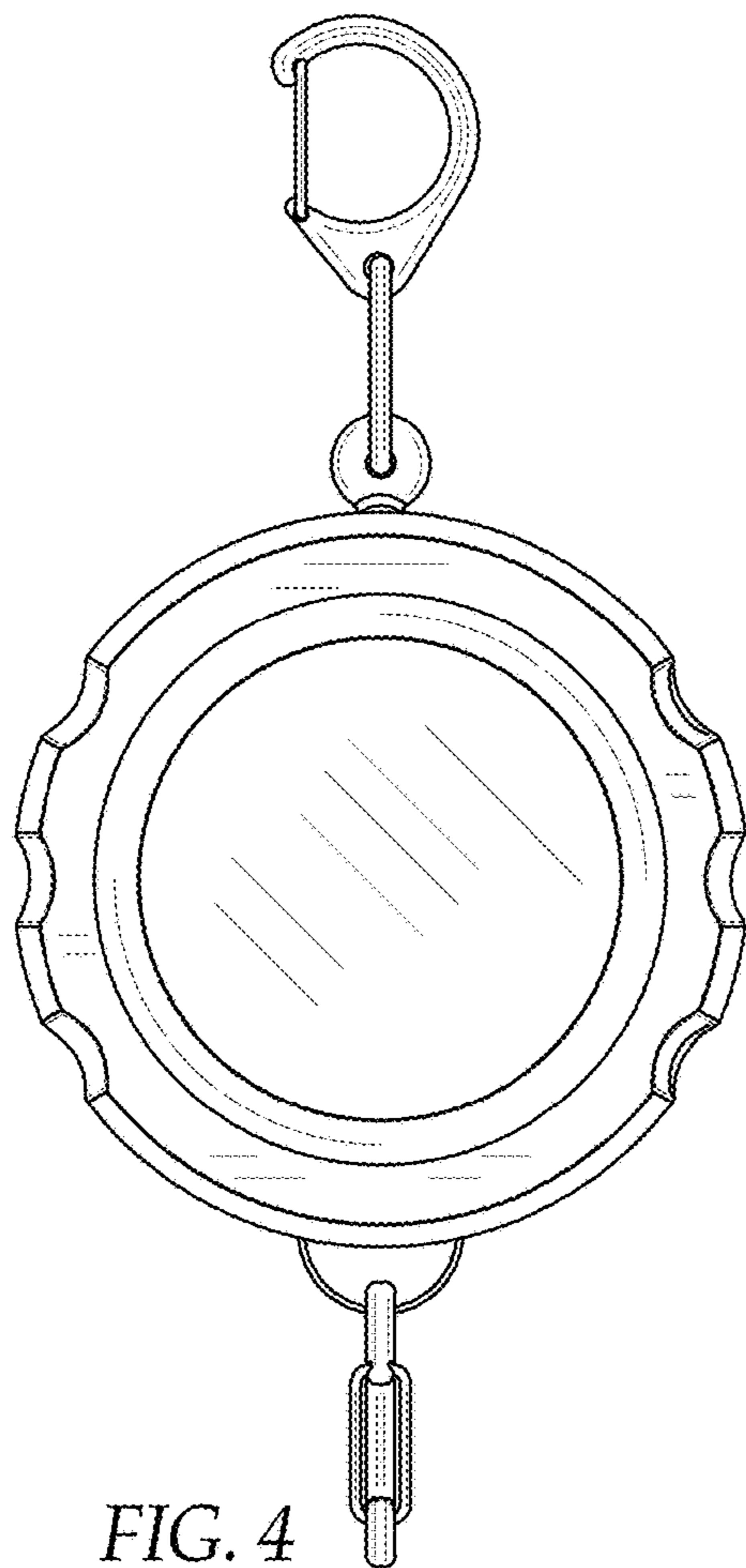


FIG. 3



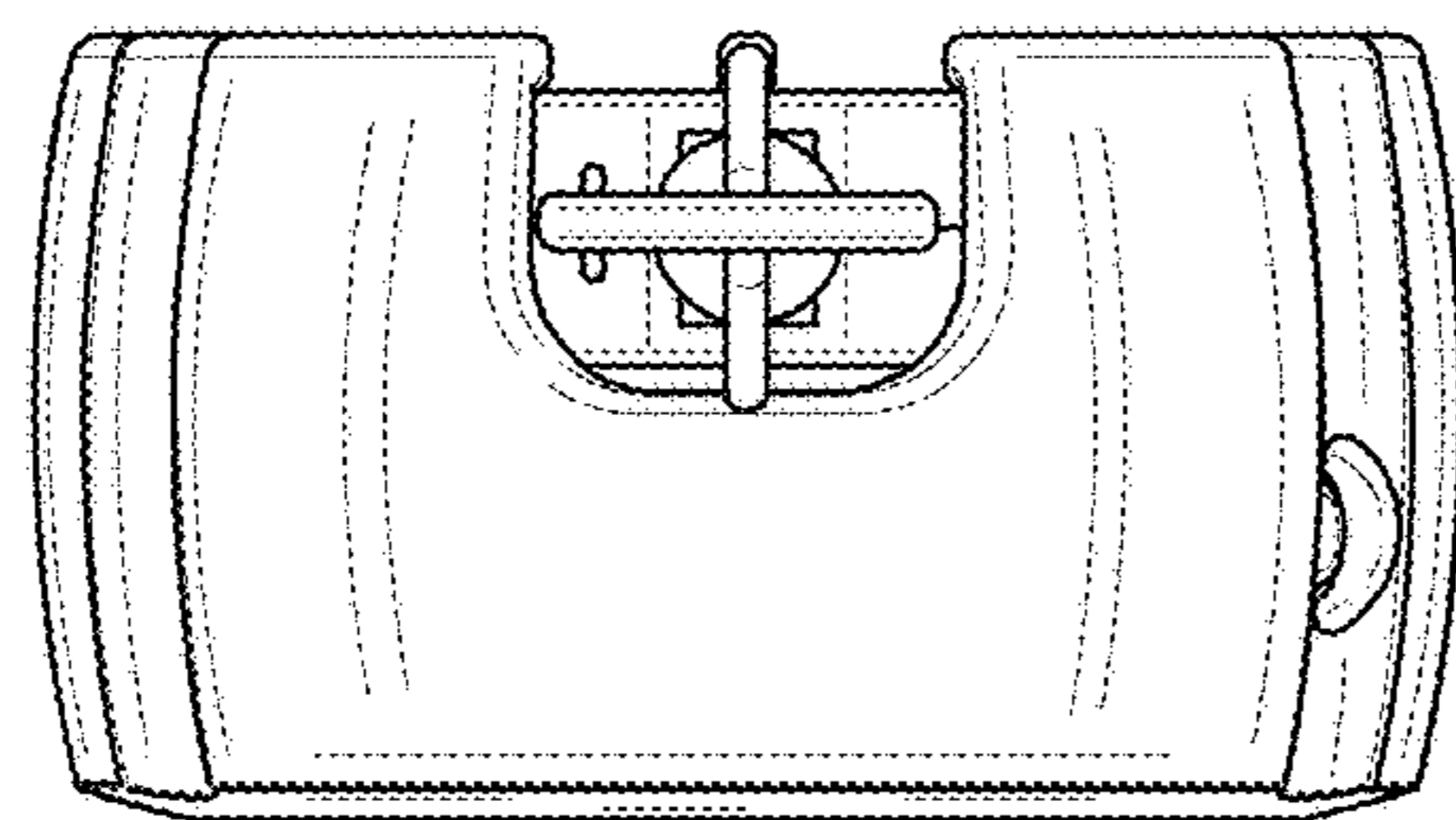


FIG. 6

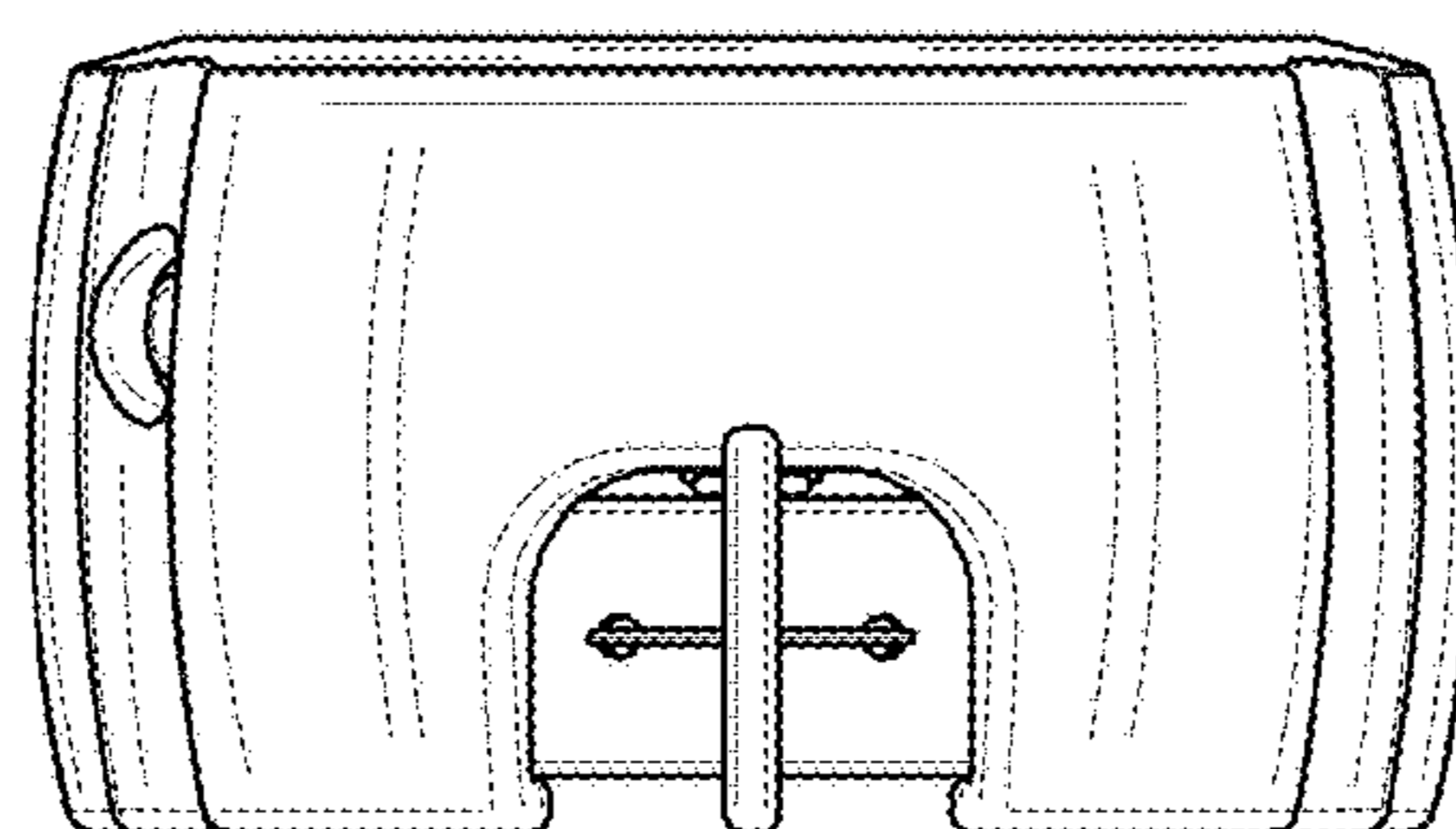


FIG. 7

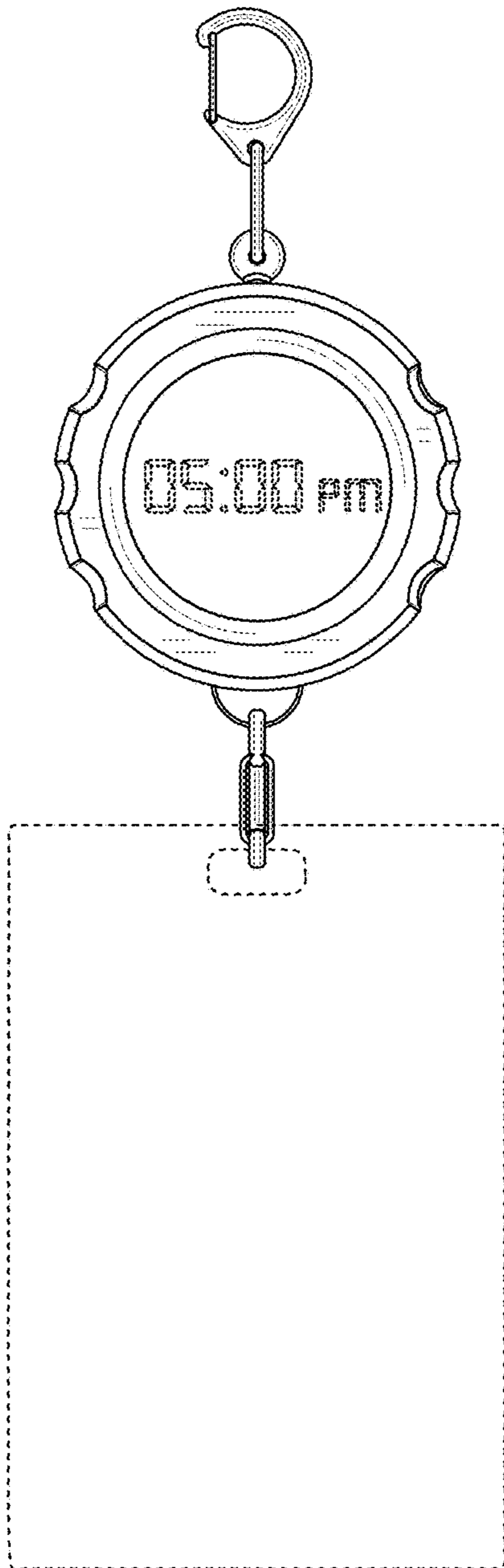


FIG. 8