



US00D850292S

(12) **United States Design Patent** (10) **Patent No.:** **US D850,292 S**  
**Dicks** (45) **Date of Patent:** **\*\* Jun. 4, 2019**

(54) **WATCH CASE**

(71) Applicant: **Richemont International SA**,  
 Villars-sur-Glane (CH)

(72) Inventor: **Julie Dicks**, Annecy le vieux (FR)

(73) Assignee: **Richemont International SA**,  
 Villars-sur-Glane (CH)

(\*\*) Term: **15 Years**

(21) Appl. No.: **29/602,599**

(22) Filed: **May 2, 2017**

(30) **Foreign Application Priority Data**

Nov. 2, 2016 (WO) ..... 1268101

(51) **LOC (11) Cl.** ..... **10-02**

(52) **U.S. Cl.**  
 USPC ..... **D10/30**

(58) **Field of Classification Search**  
 USPC ..... D10/30, 31, 32, 33, 34, 35, 36, 37, 38,  
 D10/39, 122, 123, 124, 102, 128; D11/1,  
 D11/2, 3, 4; D14/300, 341, 344, 137,  
 D14/138 R, 138 G  
 CPC ..... G04B 17/00; G04B 17/02; G04B 17/005;  
 G04B 17/285; G04B 37/00; G04B  
 37/0058; G04B 45/00; G04B 45/02;  
 G04B 45/0038; G04B 45/0069; G04B  
 45/0076; G04B 29/00; G04B 19/268

See application file for complete search history.

(56) **References Cited**

U.S. PATENT DOCUMENTS

D319,789 S *	9/1991	Okaya .....	D10/30
D510,037 S *	9/2005	Modolo .....	D10/32
D555,515 S *	11/2007	Krieger .....	D10/31
D599,218 S *	9/2009	Izuka .....	D10/32
D645,361 S *	9/2011	Parmigiani .....	D10/38
D671,429 S *	11/2012	Parmigiani .....	D10/38
2013/0208577 A1 *	8/2013	Netuschill .....	B44C 1/26 368/285

\* cited by examiner

*Primary Examiner* — Sheryl Lane  
*Assistant Examiner* — Samantha N Wood  
 (74) *Attorney, Agent, or Firm* — Taft Stettinius &  
 Hollister LLP

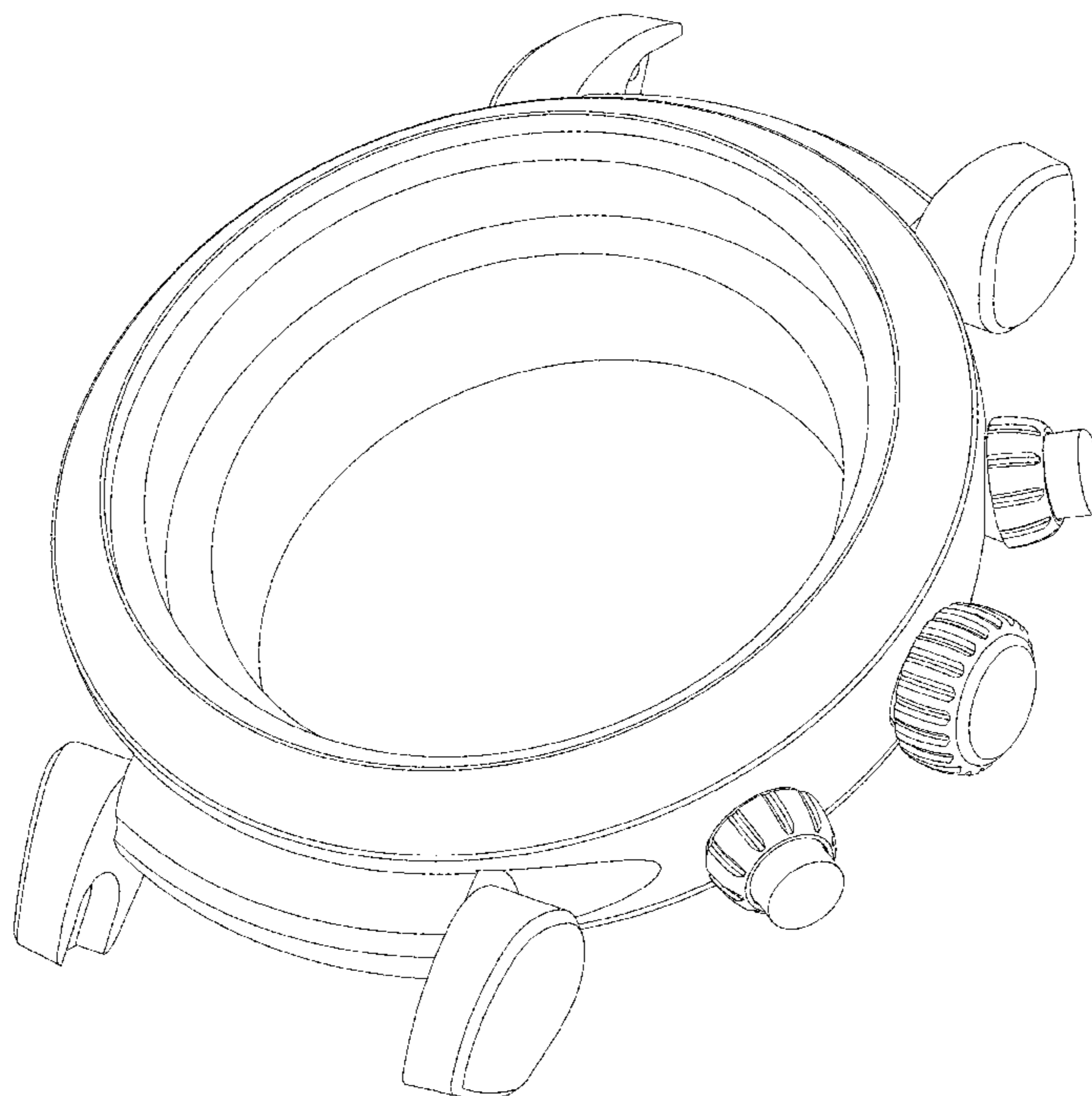
(57) **CLAIM**

The ornamental design for a watch case, as shown and described.

**DESCRIPTION**

FIG. 1 is a front plan view of a watch case showing my new design;  
 FIG. 2 is a back plan view thereof;  
 FIG. 3 is a right side elevational view thereof;  
 FIG. 4 is a left side elevational view thereof;  
 FIG. 5 is a bottom elevational view thereof;  
 FIG. 6 is a top elevational view thereof; and,  
 FIG. 7 is a front, right side perspective view thereof.  
 The broken lines in the drawing figures depict unclaimed subject matter that forms no part of the claimed design.

**1 Claim, 7 Drawing Sheets**



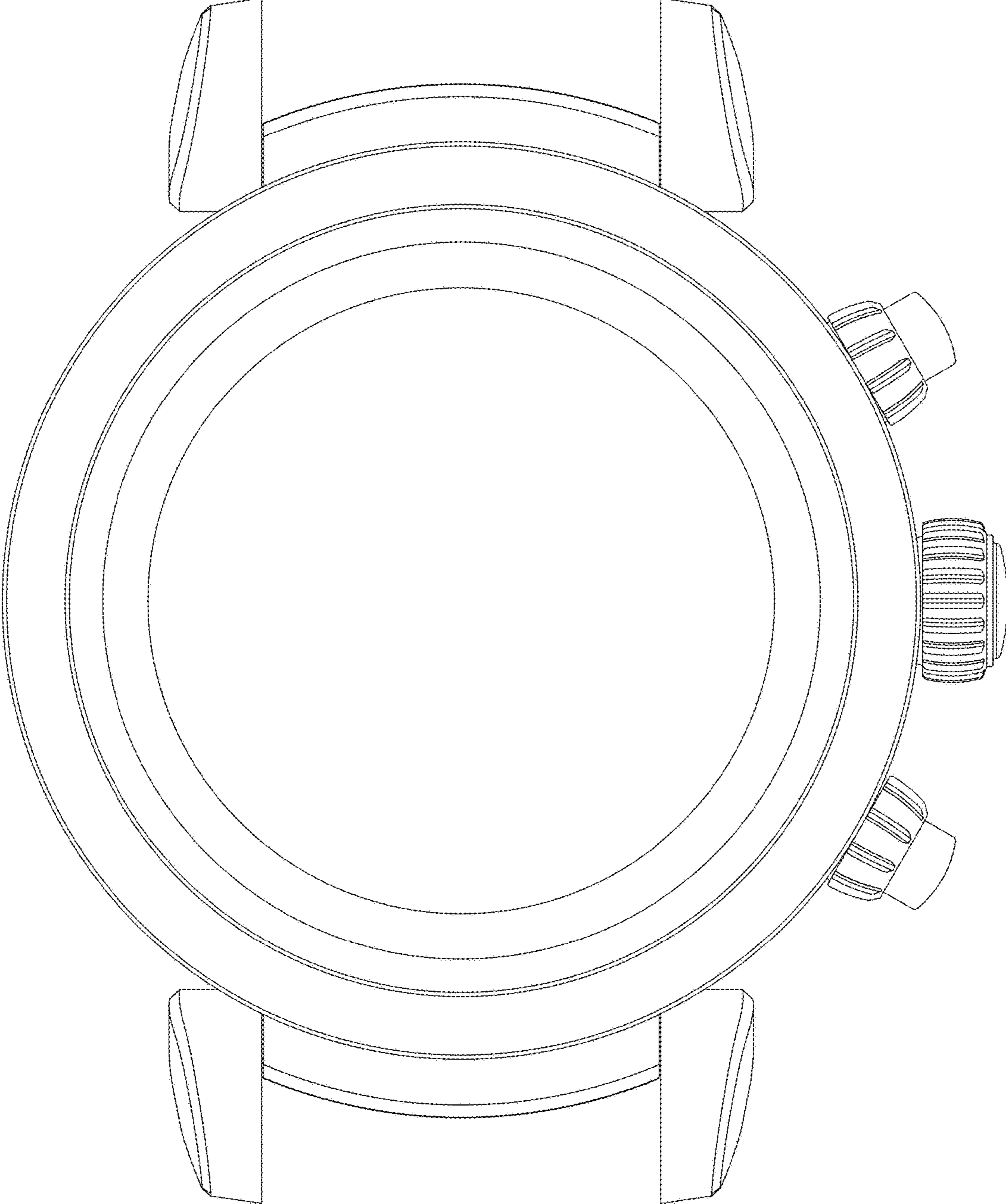


Fig. 1

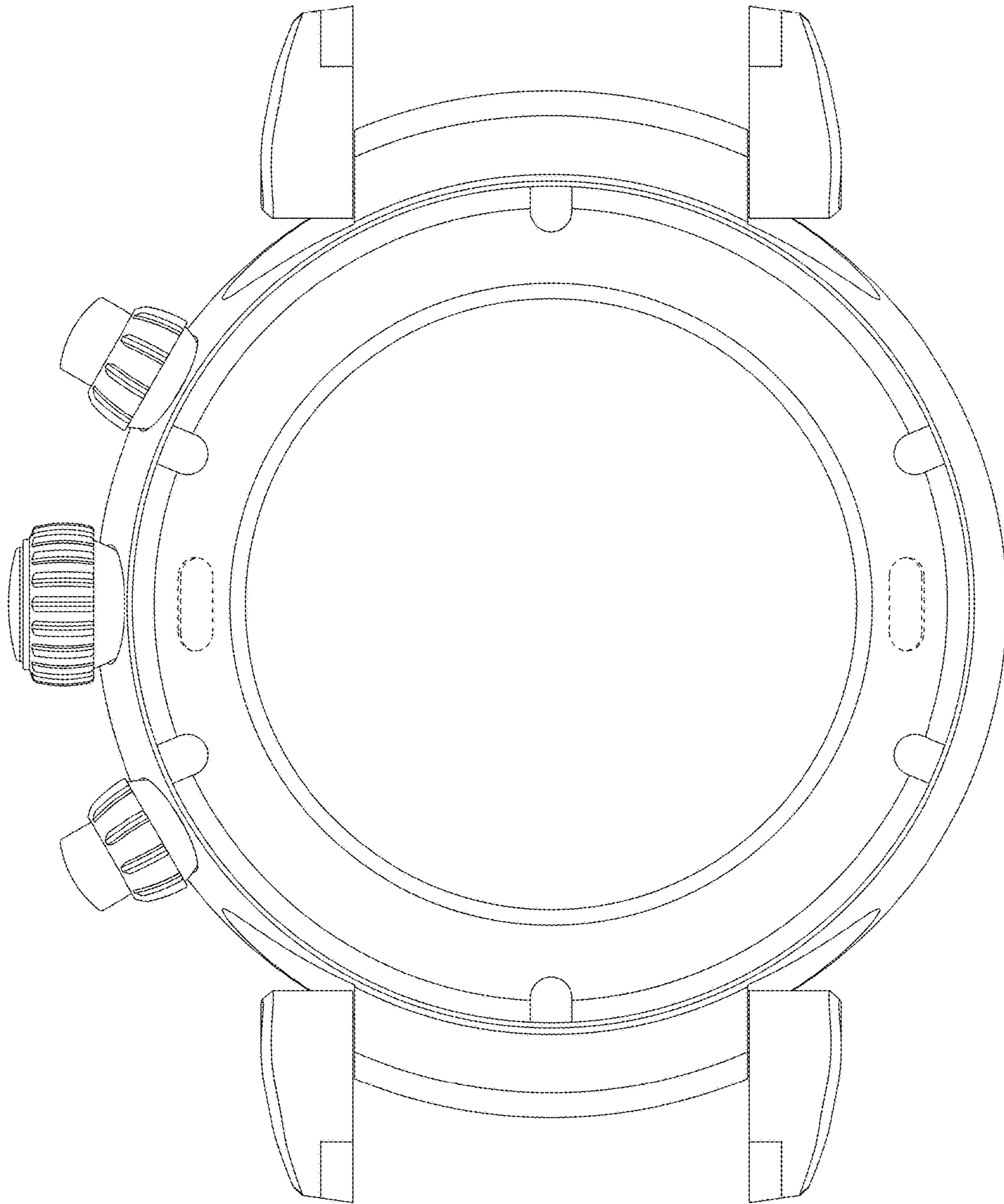


Fig. 2

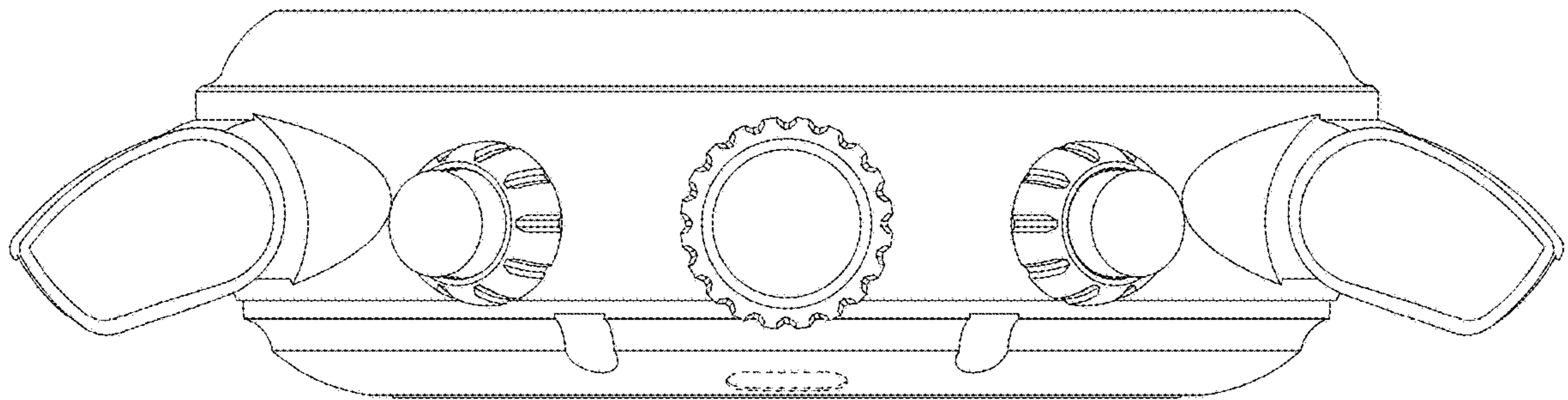


Fig. 3

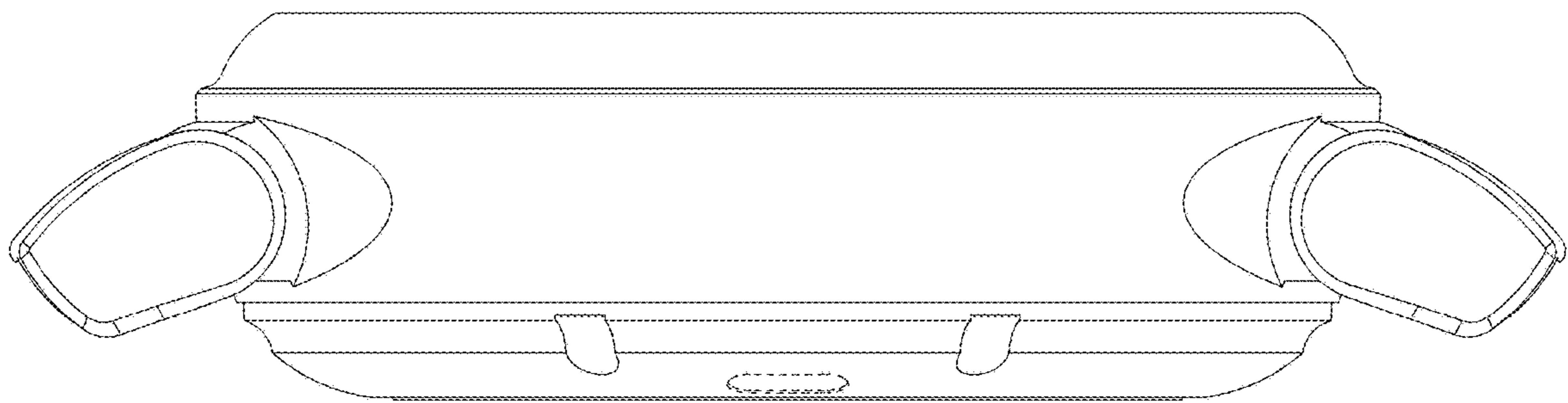


Fig. 4

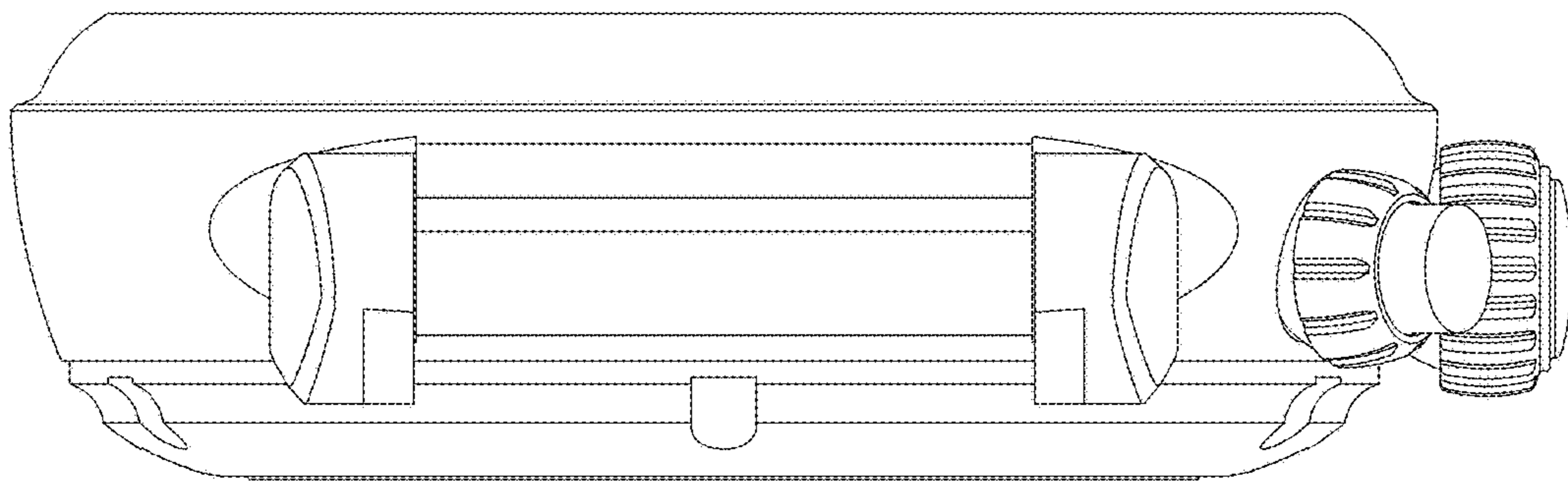


Fig. 5

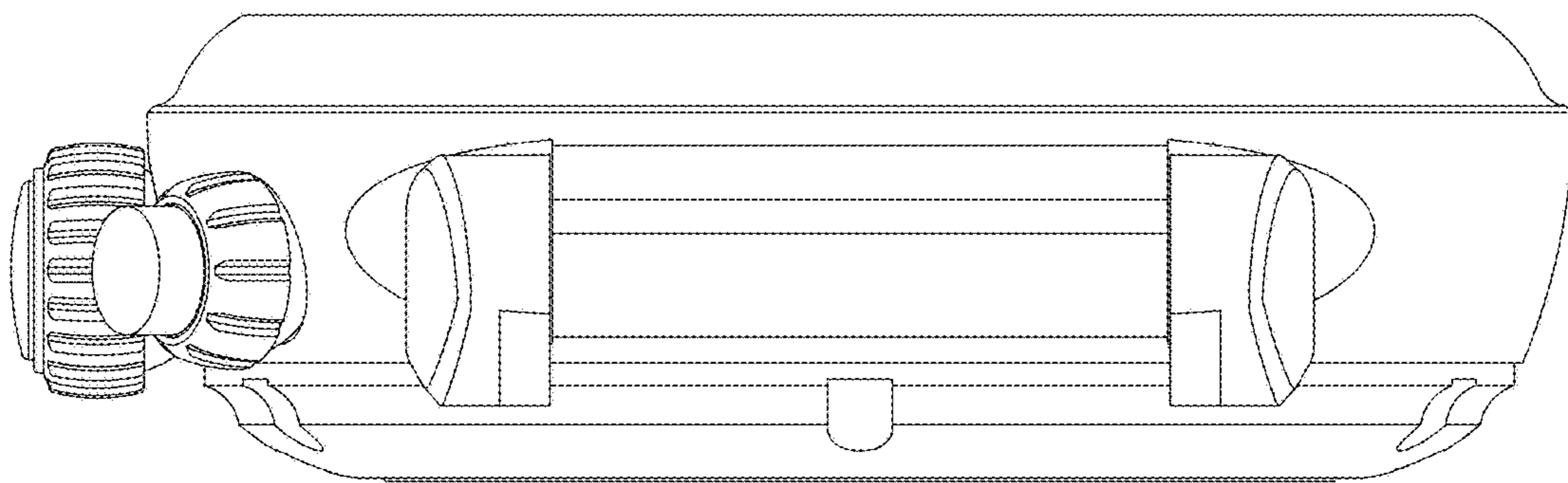


Fig. 6

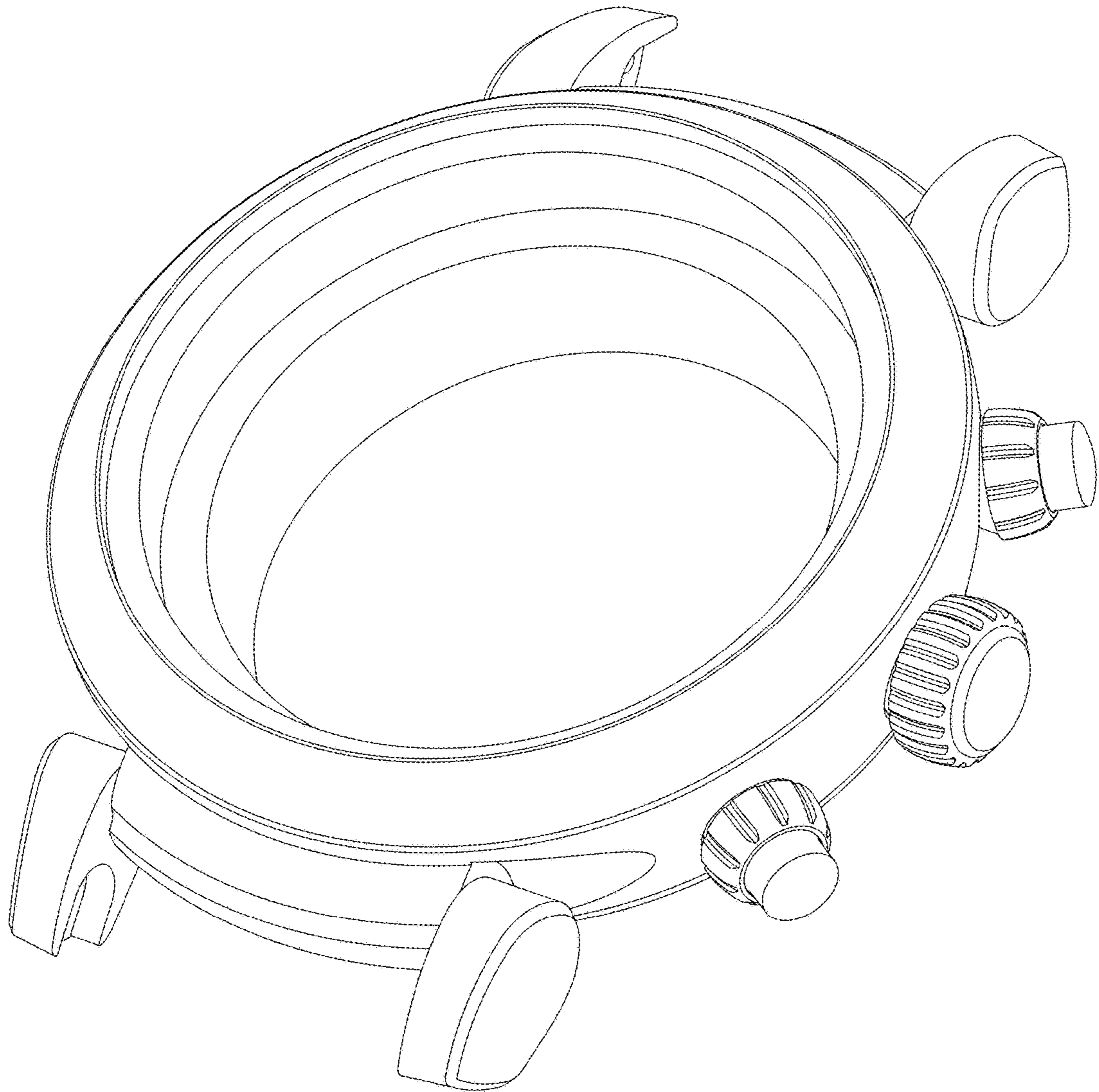


Fig. 7