



US00D850291S

(12) **United States Design Patent**
Bidzinashvili

(10) **Patent No.:** **US D850,291 S**
(45) **Date of Patent:** **** Jun. 4, 2019**

(54) **BEVERAGE CAN**

(71) Applicant: **Nodar Bidzinashvili**, Brooklyn, NY
(US)

(72) Inventor: **Nodar Bidzinashvili**, Brooklyn, NY
(US)

(**) Term: **15 Years**

(21) Appl. No.: **29/581,119**

(22) Filed: **Oct. 17, 2016**

(51) **LOC (11) Cl.** **09-01**

(52) **U.S. Cl.**
USPC **D9/772**

(58) **Field of Classification Search**
USPC D9/447, 502, 766, 767, 772, 777, 778
CPC ... B65D 1/00; B65D 1/02; B65D 1/12; B65D
1/14; B65D 1/40; B65D 1/44; B65D
1/023; B65D 1/0223; B65D 1/165; B65D
1/238; B65D 1/246; B65D 1/253; B65D
7/04; B65D 21/0209; B65D 21/0233;
B65D 25/00; B65D 25/28; B65D
41/0457; B65D 41/17; B65D 53/06;
B65D 75/56; B65D 79/005; B65D
2501/0036; B65D 2543/00064; B65D
2543/00074; B65D 2543/00083; B65D
2543/00092; B65D 2543/00101; B65D
2543/00111

See application file for complete search history.

(56) **References Cited**

U.S. PATENT DOCUMENTS

- D570,228 S * 6/2008 van Dam D9/772
- D623,963 S * 9/2010 Fairchild, Jr. D9/772
- D632,589 S * 2/2011 George D9/772
- D671,843 S * 12/2012 Plosky D9/773
- D698,668 S * 2/2014 Vaughn D9/772
- D706,032 S * 6/2014 Roth D3/271.1
- D713,268 S * 9/2014 Jones D9/772
- D732,402 S * 6/2015 Jones D9/772

- D770,895 S * 11/2016 Brown D7/900
- D775,965 S * 1/2017 Wang D9/616
- D820,678 S * 6/2018 Chapman D9/447

(Continued)

Primary Examiner — Michael A. Pratt

(57) **CLAIM**

The new details and design for beverage can, as shown and described.

DESCRIPTION

FIG. 1 illustrates a top plan of a first embodiment of a beverage can;

FIG. 2 illustrates a front elevation, section view;

FIG. 3 illustrates a top isometric view;

FIG. 4 illustrates a bottom isometric view;

FIG. 5 illustrates an enlarged, partial view of top part of can from FIG. 2;

FIG. 6 illustrates an enlarged, partial view of bottom part of can from FIG. 2;

FIG. 7 illustrates a top plan of a second embodiment of a beverage can;

FIG. 8 illustrates a front elevation, section view;

FIG. 9 illustrates a top isometric view;

FIG. 10 illustrates a bottom isometric view;

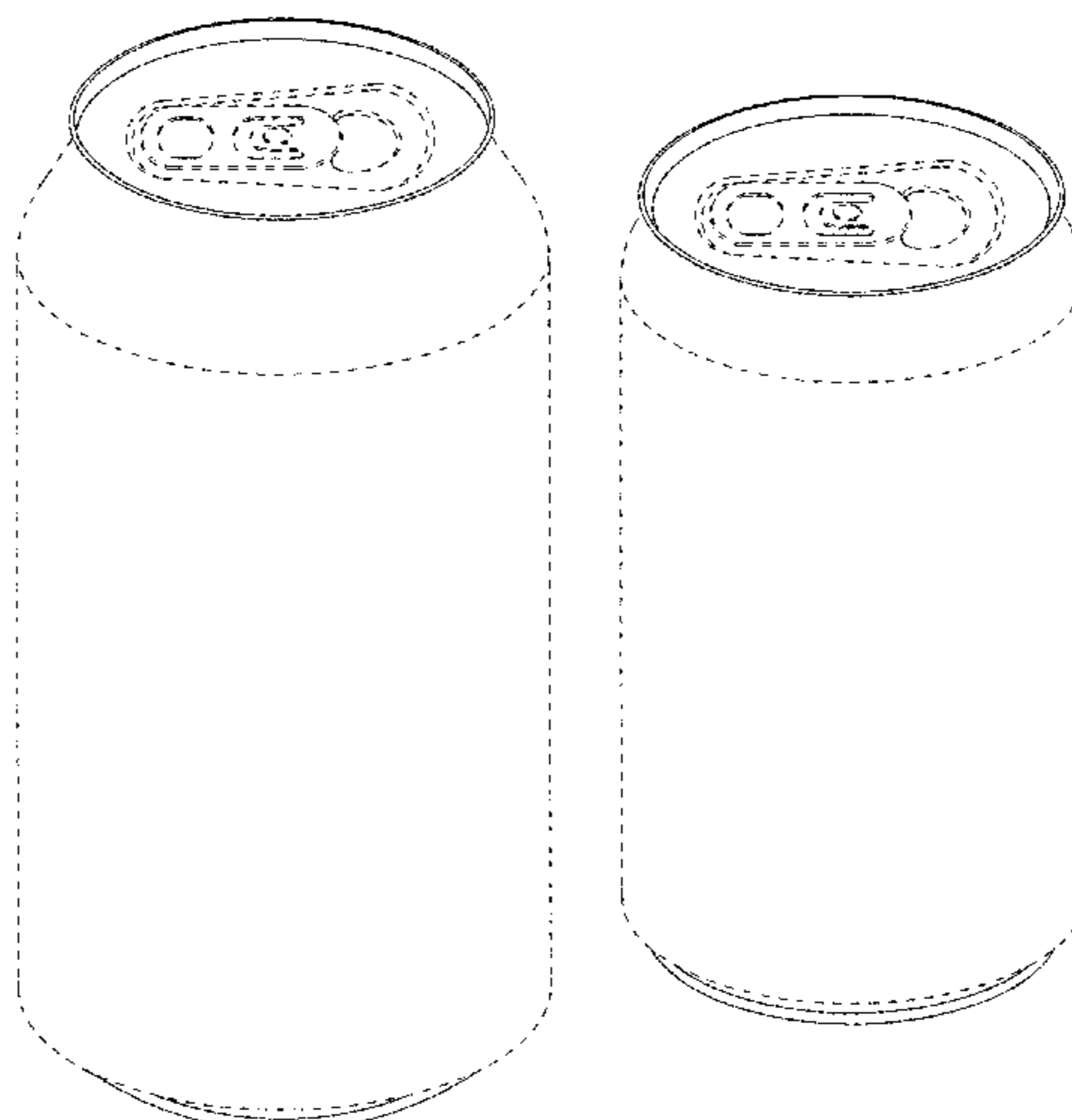
FIG. 11 illustrates an enlarged, partial view of top part of can from FIG. 8; and,

FIG. 12 illustrates an enlarged, partial view of bottom part of can from FIG. 8.

The idea of the invention is: instead of making the flange on the upper part of can, make the flange on the lower part. Upon removal of the flange, the upper portion will become smooth to touch with lips (while drinking). The shape of the upper portion is made in such a way that the groove is no longer existent around the top. The flange located on the lower portion will be covered with a rubber or rubber like material.

The broken line showing of portions of the beverage can is included for the purpose of illustrating environment and forms no part of the claimed design.

1 Claim, 12 Drawing Sheets



(56)

References Cited

U.S. PATENT DOCUMENTS

2008/0295558 A1* 12/2008 Reimer B21D 51/26
72/94
2012/0031871 A1* 2/2012 Molinaro B65D 1/023
215/44

* cited by examiner

FIG. 1

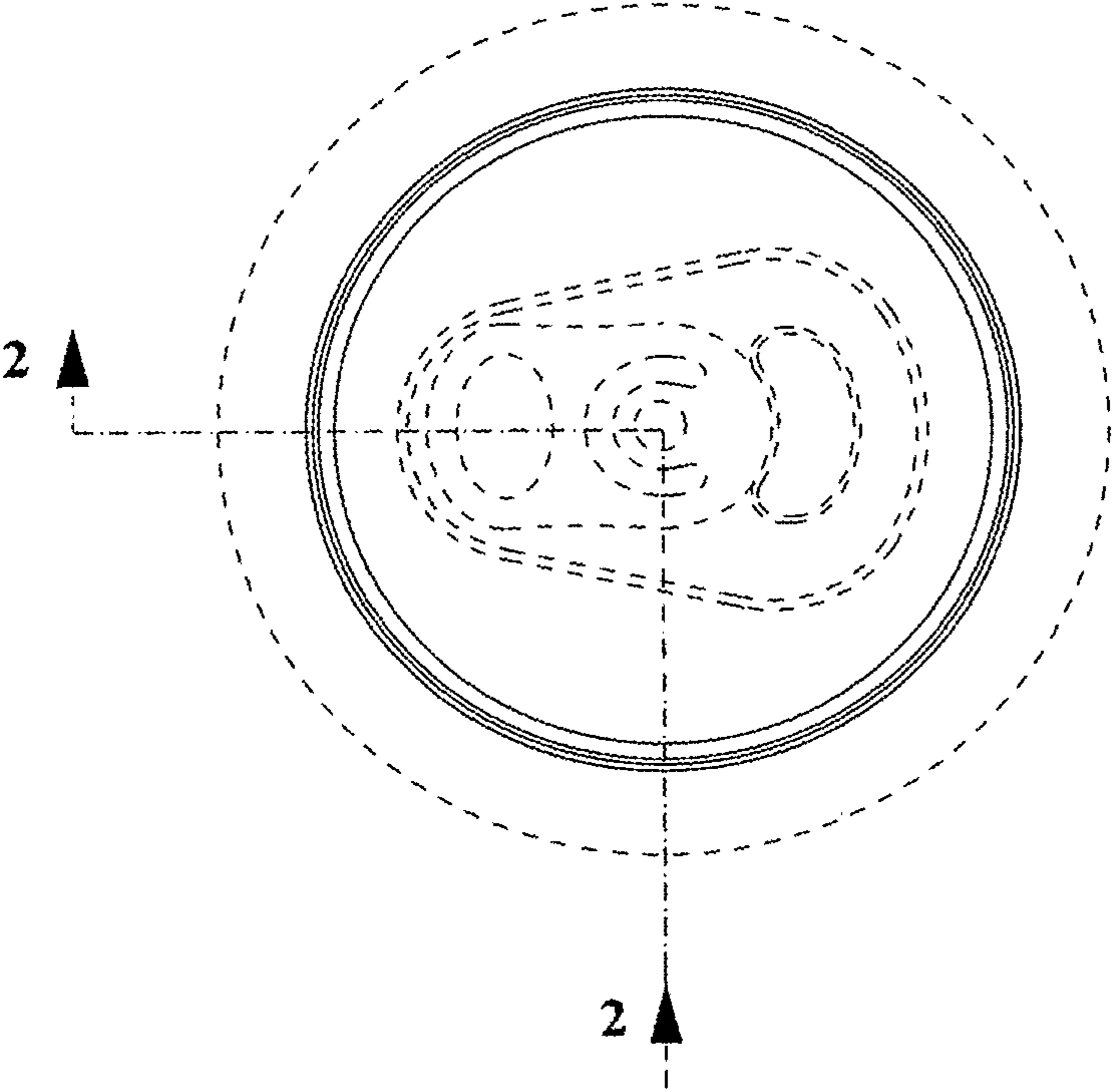


FIG. 2

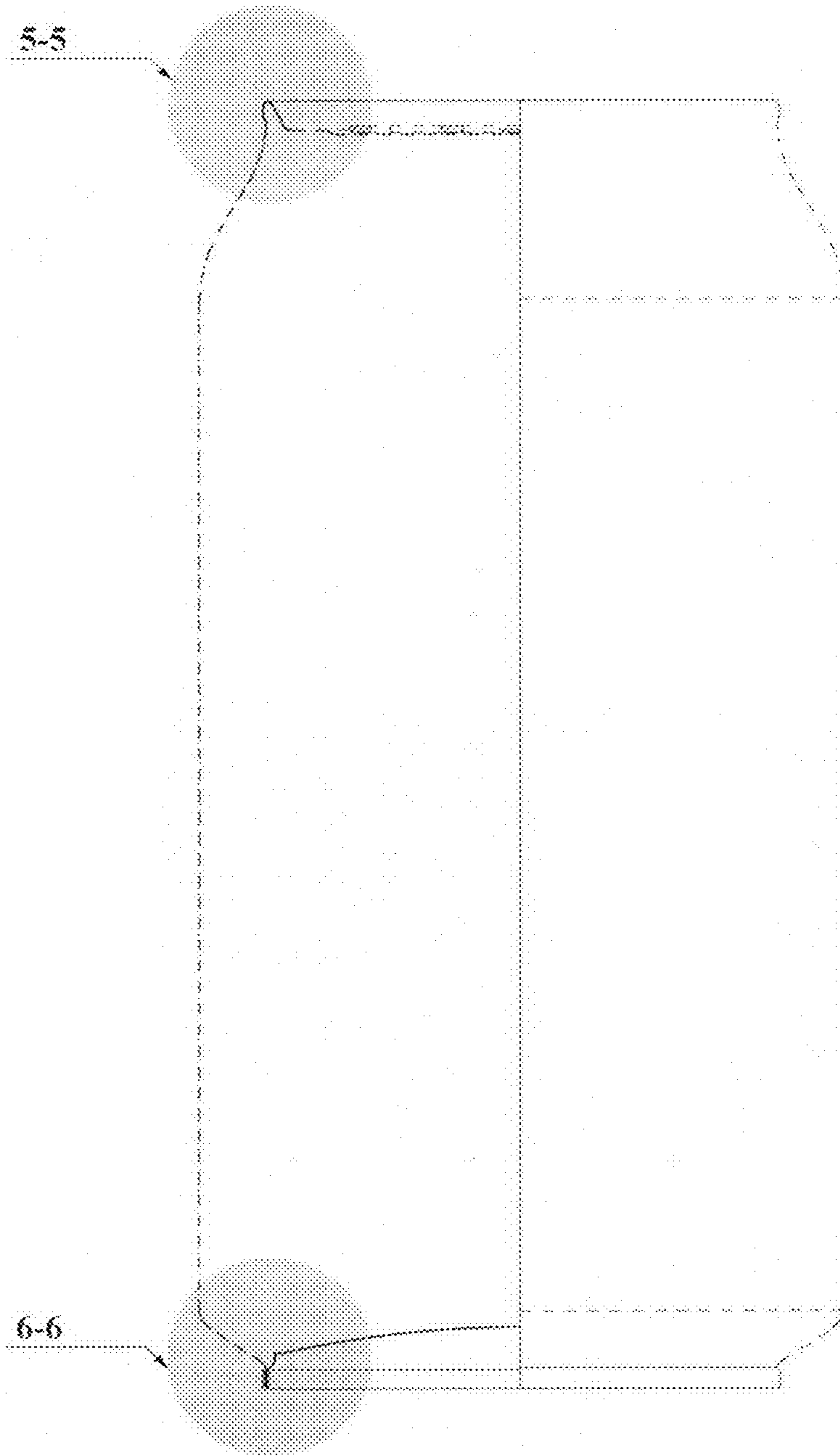


FIG. 3

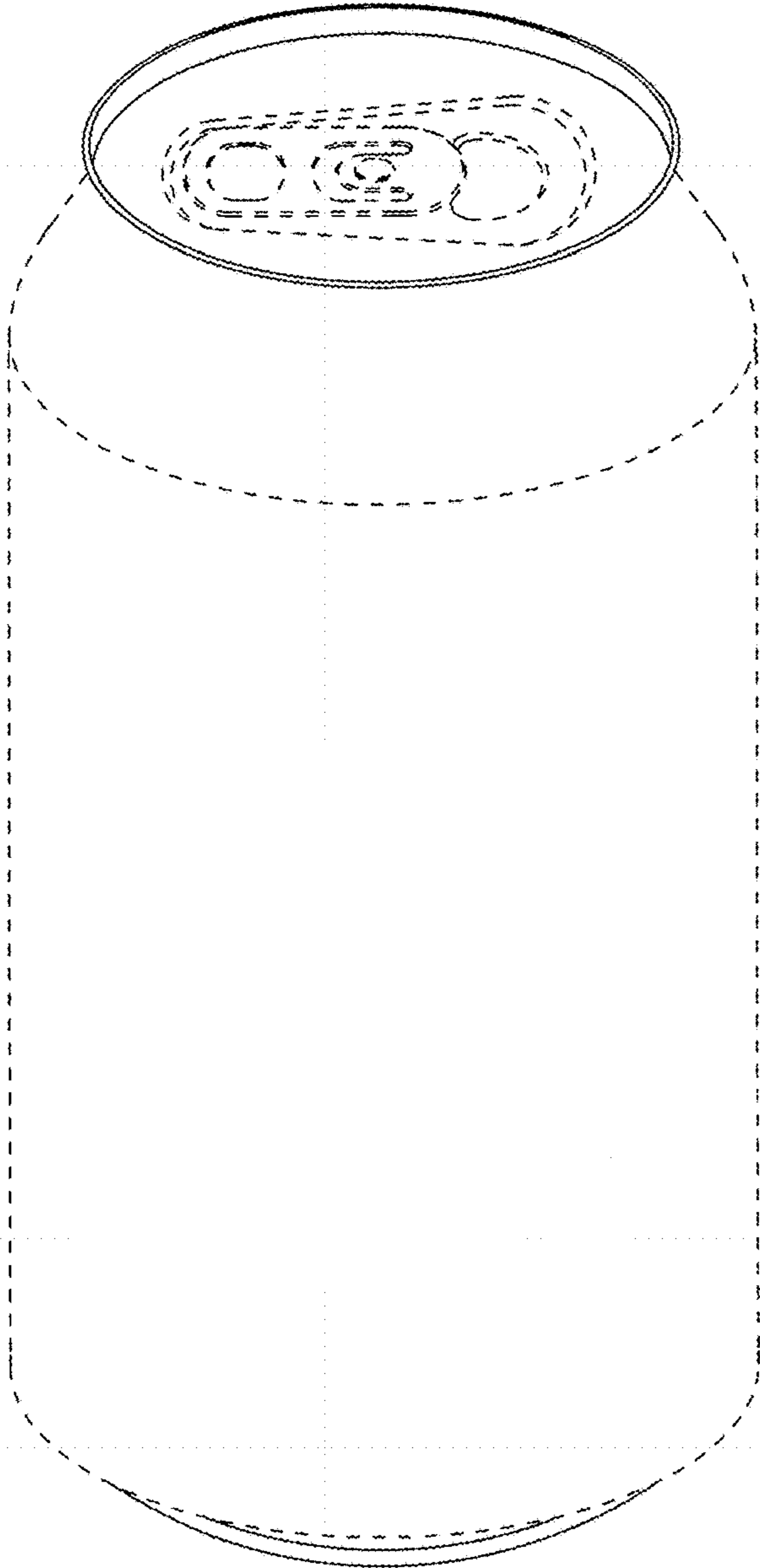


FIG. 4



FIG. 5

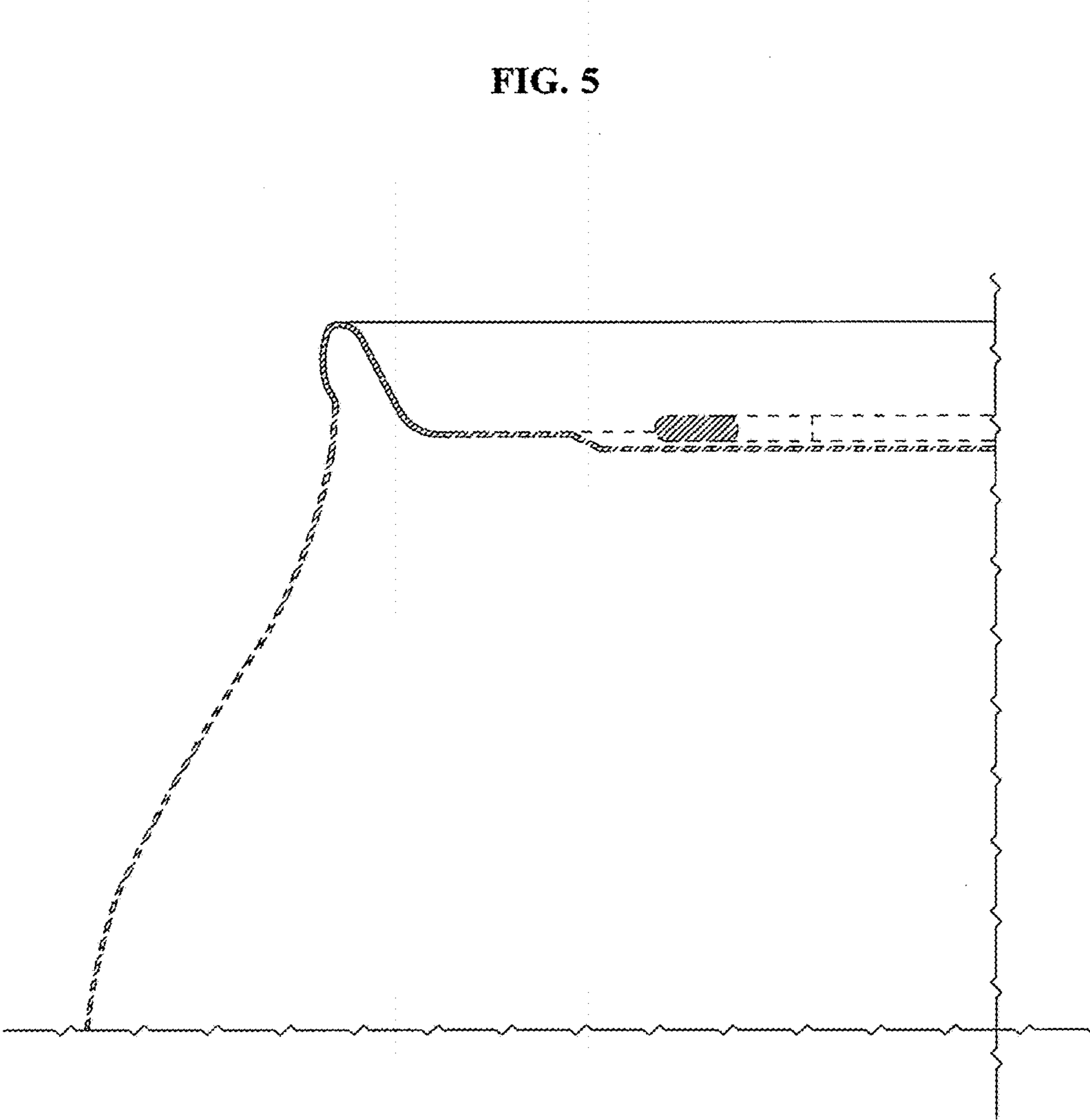


FIG. 6

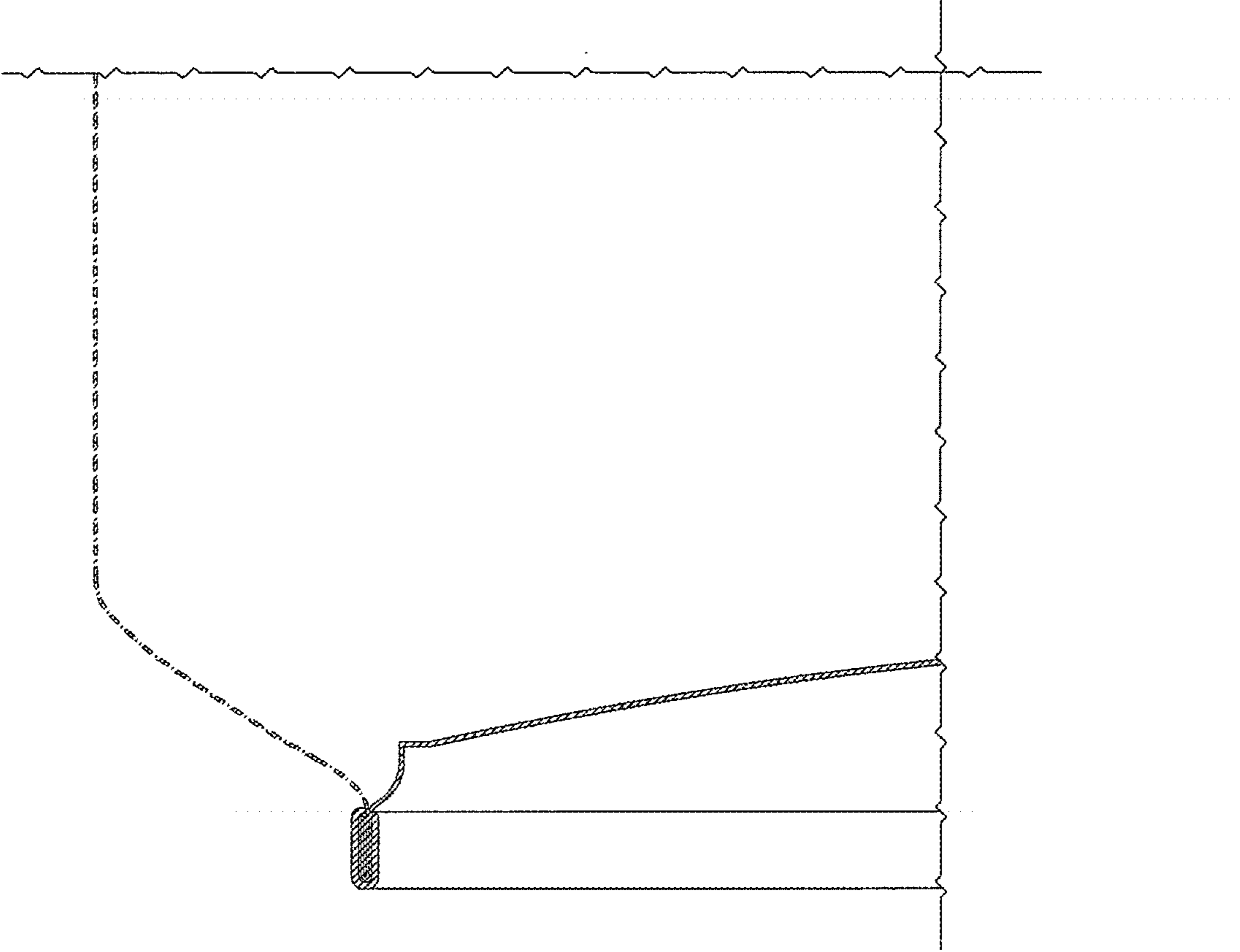


FIG. 7

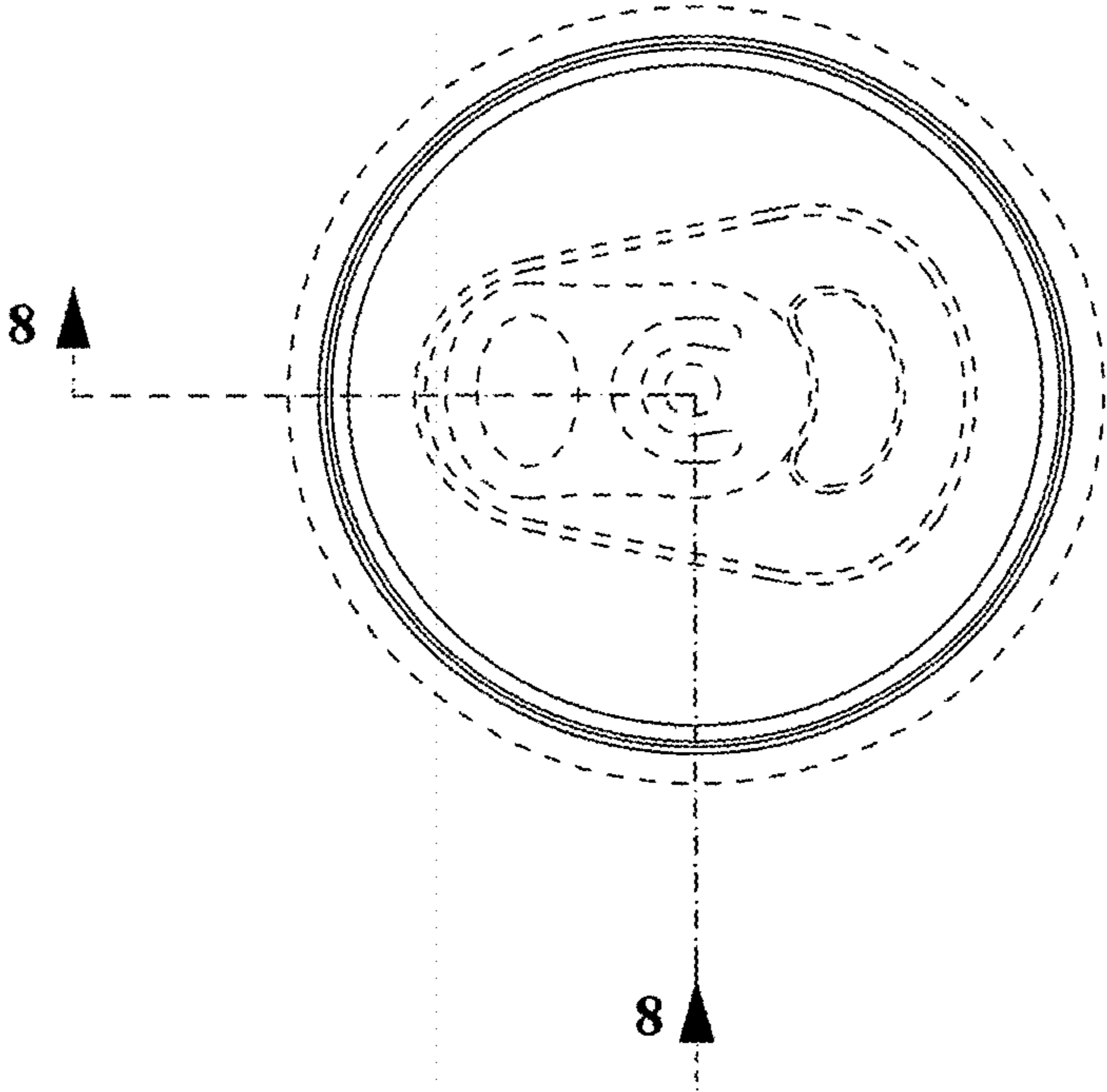


FIG. 8

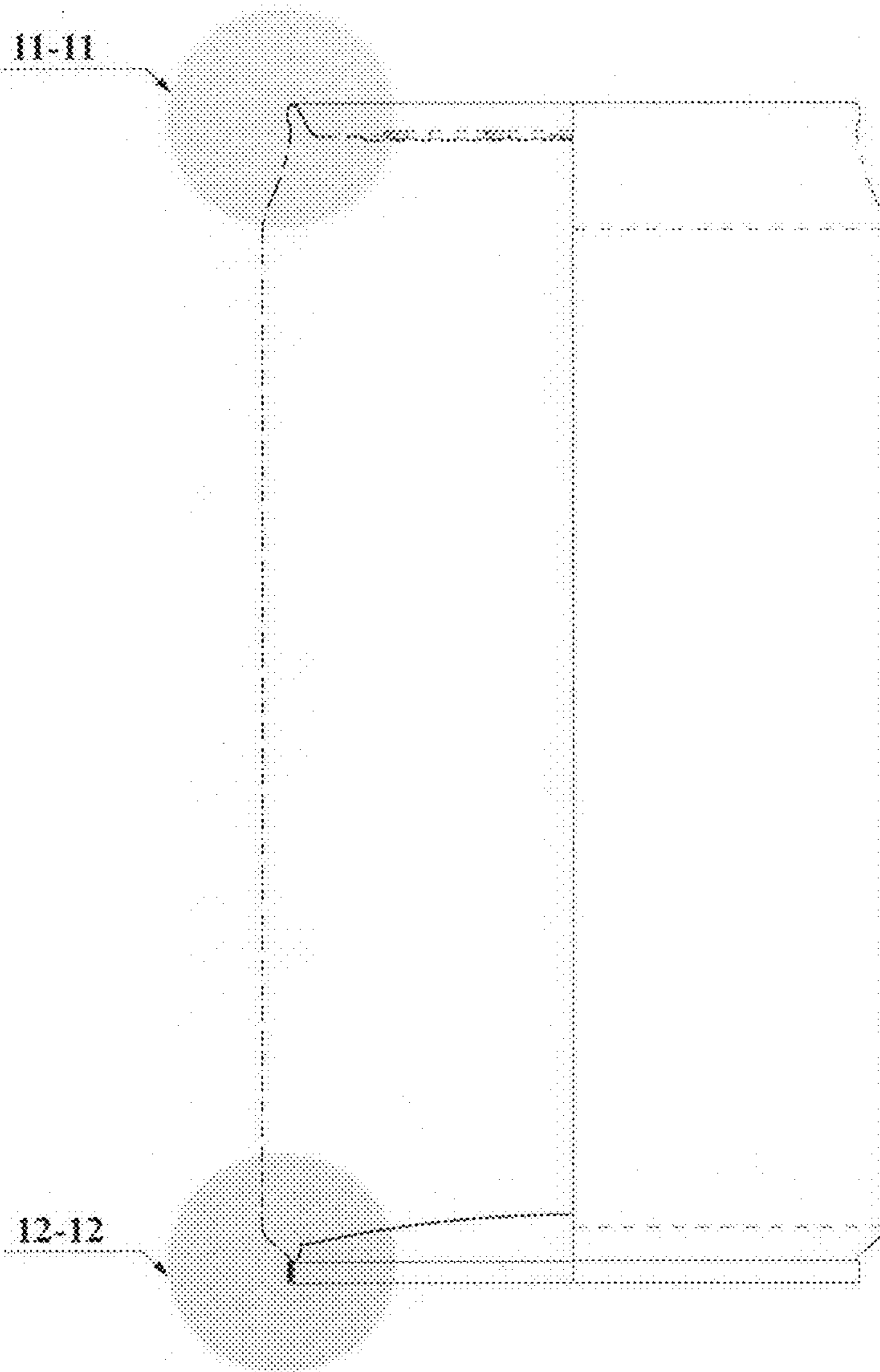


FIG. 9

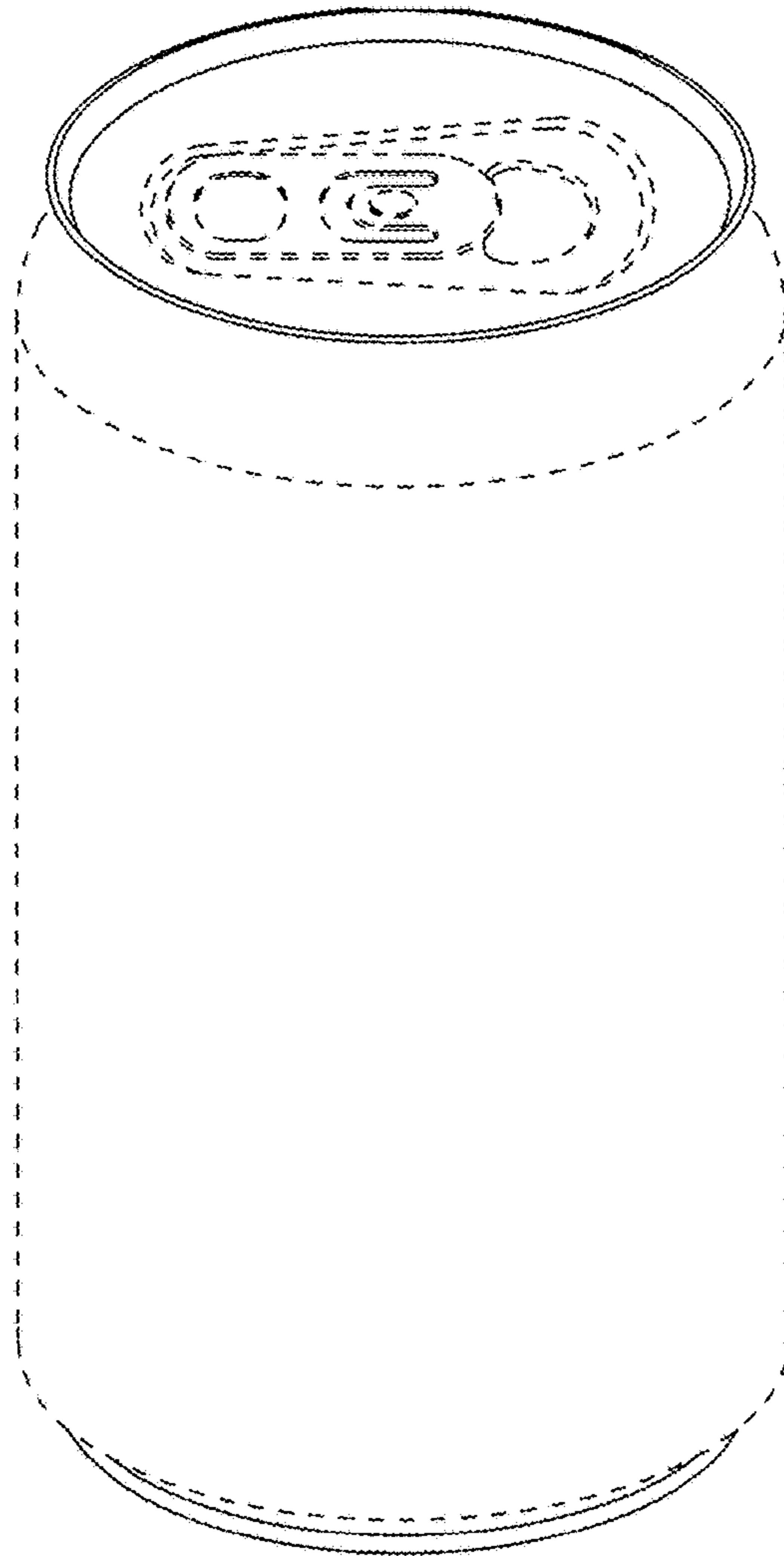


FIG. 10

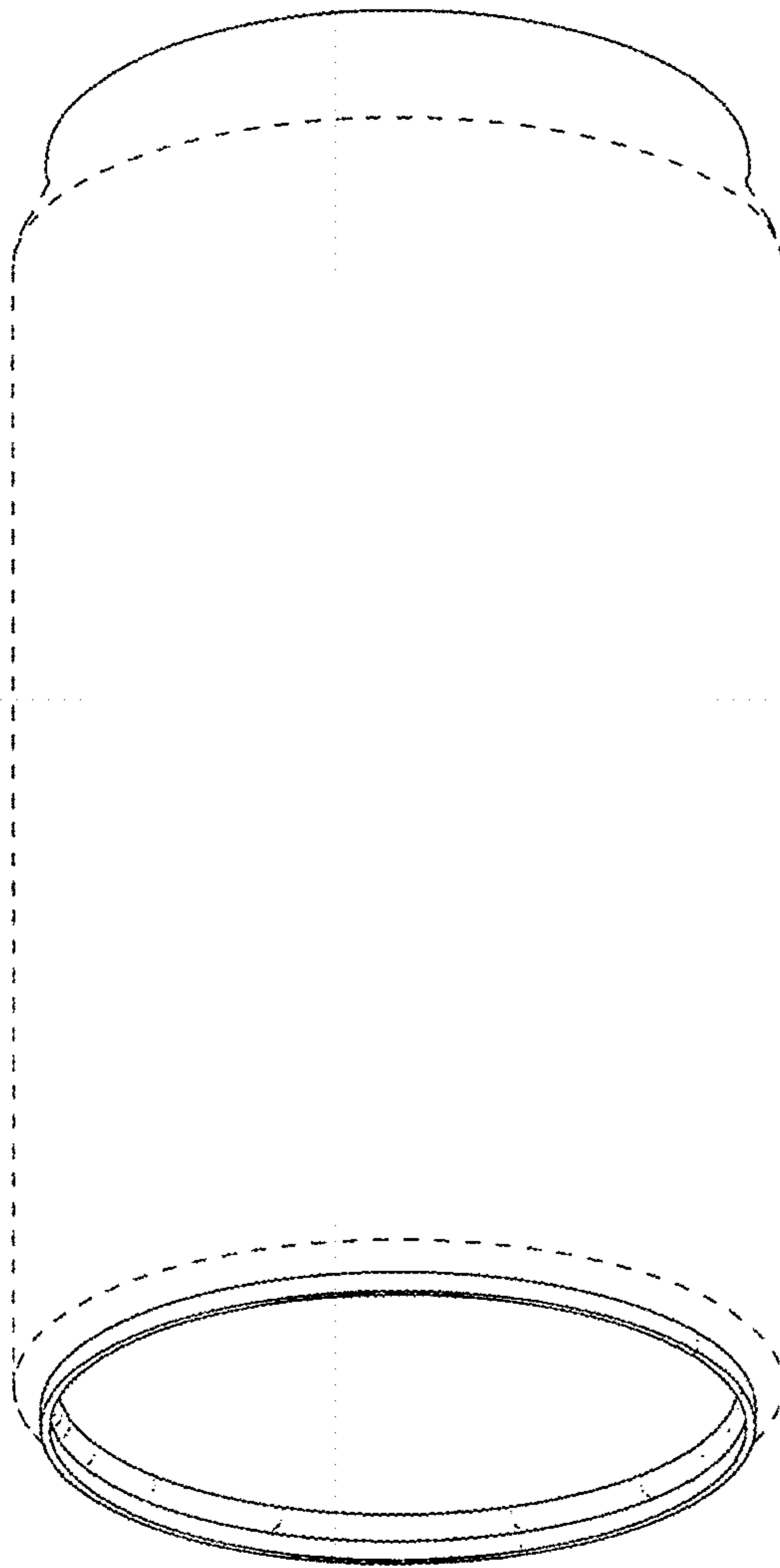


FIG. 11

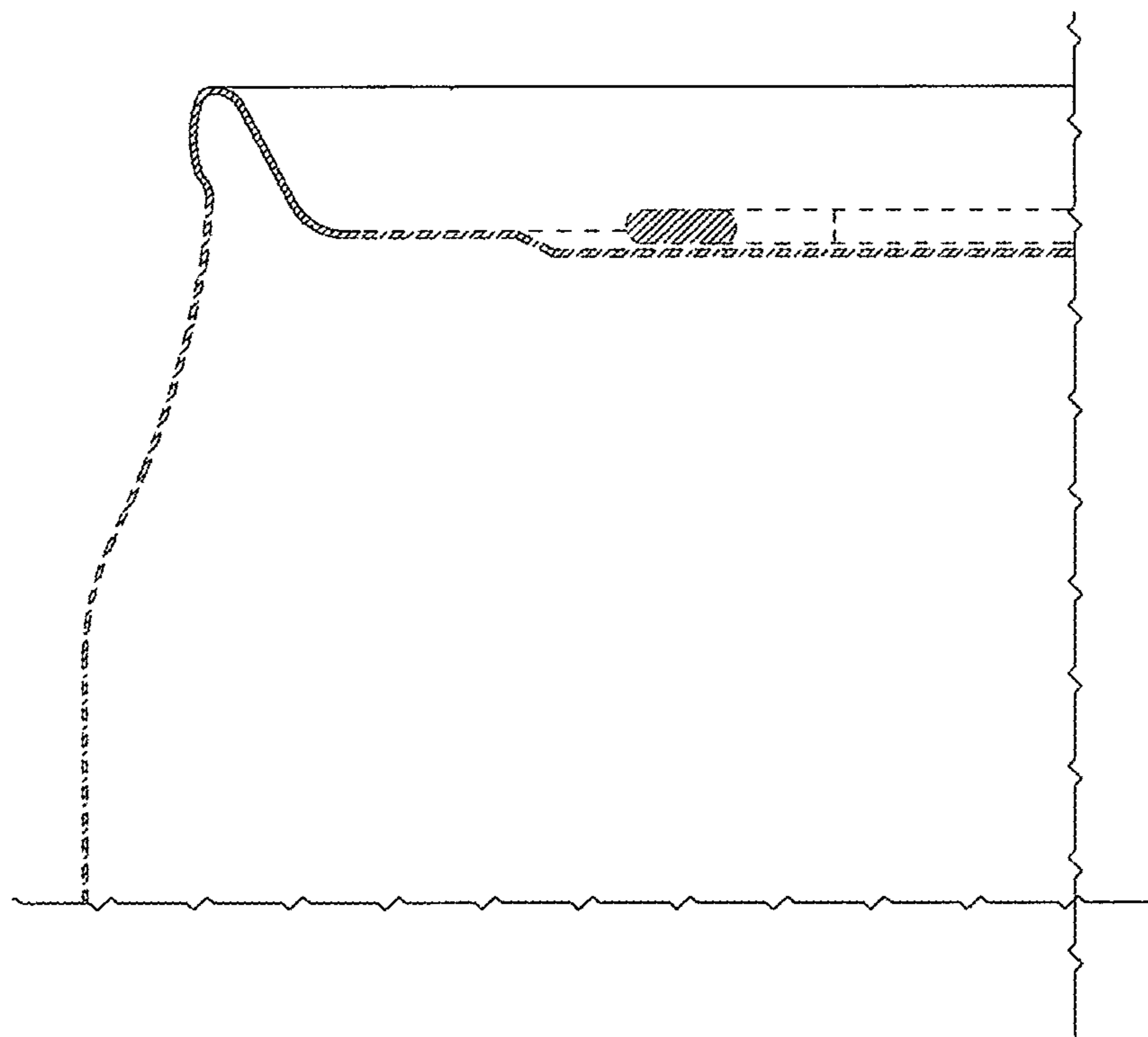


FIG. 12

