



US00D850289S

(12) **United States Design Patent**
McCay et al.

(10) **Patent No.:** **US D850,289 S**
(45) **Date of Patent:** **** Jun. 4, 2019**

(54) **DISPLAY PACKAGE FOR AN
OVER-THE-COUNTER MEDICINAL
CONTAINER**

D278,979 S * 5/1985 Anderson D9/415
D427,900 S * 7/2000 O'Malley D9/415
D441,646 S * 5/2001 Adkins D9/415

(Continued)

(71) Applicant: **Chattem Inc.**, Chattanooga, TN (US)

(72) Inventors: **James McCay**, Fairfield, CT (US);
James Troy Starkey, North Haven, CT
(US)

(73) Assignee: **Chattem Inc.**, Chattanooga, TN (US)

(**) Term: **15 Years**

(21) Appl. No.: **29/592,691**

(22) Filed: **Feb. 1, 2017**

(51) **LOC (11) Cl.** **09-03**

(52) **U.S. Cl.**
USPC **D9/737; D9/424**

(58) **Field of Classification Search**
USPC D9/414, 415, 418, 424, 425, 457, 737,
D9/748, 750, 751; 206/461-471, 495,
206/806, 775-779, 763-769; 446/75;
229/5.84; 53/428, 443
CPC .. B65D 75/36; B65D 75/322; B65D 2207/00;
B65D 73/0057; B65D 73/00; B65D 5/56;
B65D 55/00; B65D 35/00; A63H 33/04
See application file for complete search history.

(56) **References Cited**

U.S. PATENT DOCUMENTS

3,463,307 A * 8/1969 Caplan B65D 75/366
206/460
D250,092 S * 10/1978 Schoenfield D9/414
4,240,552 A * 12/1980 Brown B65D 75/36
206/459.5
4,261,462 A * 4/1981 Wysocki B65D 73/0057
206/216
D275,180 S * 8/1984 Bakus D9/722

OTHER PUBLICATIONS

Zyrtec 24 HR Indoor & Outdoor Allergy Liquid Gels Capsules (via amazon.com), available Jan. 2, 2019, [online], [site visited Jan. 2, 2019]. Available from internet, <URL: https://www.amazon.com/Zyrtec-Outdoor-Capsules-Cetirizine-Antihistamine/dp/B0034KYA3Q/ref=cm_cr_ar_p_d_product_sims?ie=UTF8 (Year: 2019).*

(Continued)

Primary Examiner — Cathron C Brooks

Assistant Examiner — W. A. Teddy Falloway

(74) *Attorney, Agent, or Firm* — Saidman DesignLaw Group, LLC

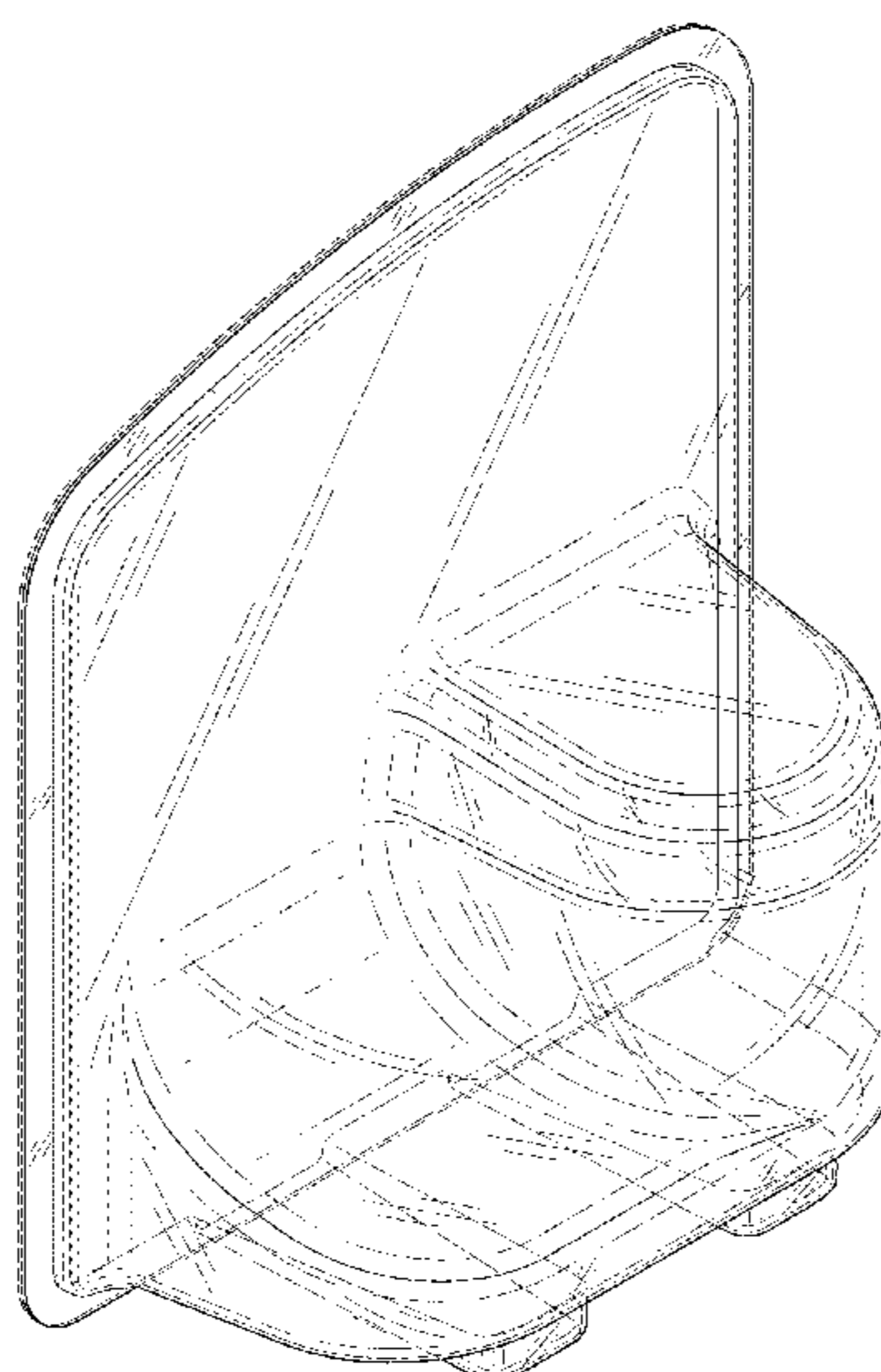
(57) **CLAIM**

The ornamental design for a display package for an over-the-counter medicinal container, as shown and described.

DESCRIPTION

FIG. 1 is a perspective view of a display package for an over-the-counter medicinal container;
FIG. 2 is a perspective view from the back side of the display package shown in FIG. 1;
FIG. 3 is a front view thereof;
FIG. 4 is a rear side view thereof;
FIG. 5 is a left side view thereof;
FIG. 6 is a right side view thereof;
FIG. 7 is a top view thereof;
FIG. 8 is a bottom view thereof; and,
FIG. 9 is another perspective view thereof, shown with an over-the-counter medicinal container in broken lines.
The broken lines showing a medicinal container in FIG. 9 illustrates environmental structure. All other broken lines illustrate portions of the display package for an over-the-counter medicinal container. The broken lines form no part of the claimed design.

1 Claim, 7 Drawing Sheets



(56)

References Cited

U.S. PATENT DOCUMENTS

D480,962	S	*	10/2003	Lee	D9/415
D480,963	S	*	10/2003	Lee	D9/415
D501,137	S	*	1/2005	Fritz	D9/415
D525,864	S	*	8/2006	Hiolin	D9/415
D527,251	S	*	8/2006	Marry	D9/415
D556,565	S	*	12/2007	Nazari	D9/415
D565,403	S	*	4/2008	Caine	D9/415
D690,589	S	*	10/2013	Von Sprecken	D9/425
D697,398	S	*	1/2014	Guevara-Ludt	D9/415
D818,818	S	*	5/2018	Debnath	D9/415
2001/0003114	A1	*	6/2001	Hansen	B65B 11/50 493/114
2003/0111376	A1	*	6/2003	Tingey	B65D 25/04 206/461
2005/0092644	A1	*	5/2005	Cafferata	A47F 1/126 206/471
2016/0023827	A1	*	1/2016	Brandon, II	B65D 75/366 53/410

OTHER PUBLICATIONS

CVS Health Allergy Relief 24 Hour Indoor/Outdoor, available Jan. 2, 2013, [online], [site visited Jan. 2, 2019]. Available from internet, <URL: <https://www.cvs.com/shop/cvs-health-allergy-relief-24-hour-indoor-outdoor-prodid-444255?skuid=444255> (Year: 2013).*

* cited by examiner

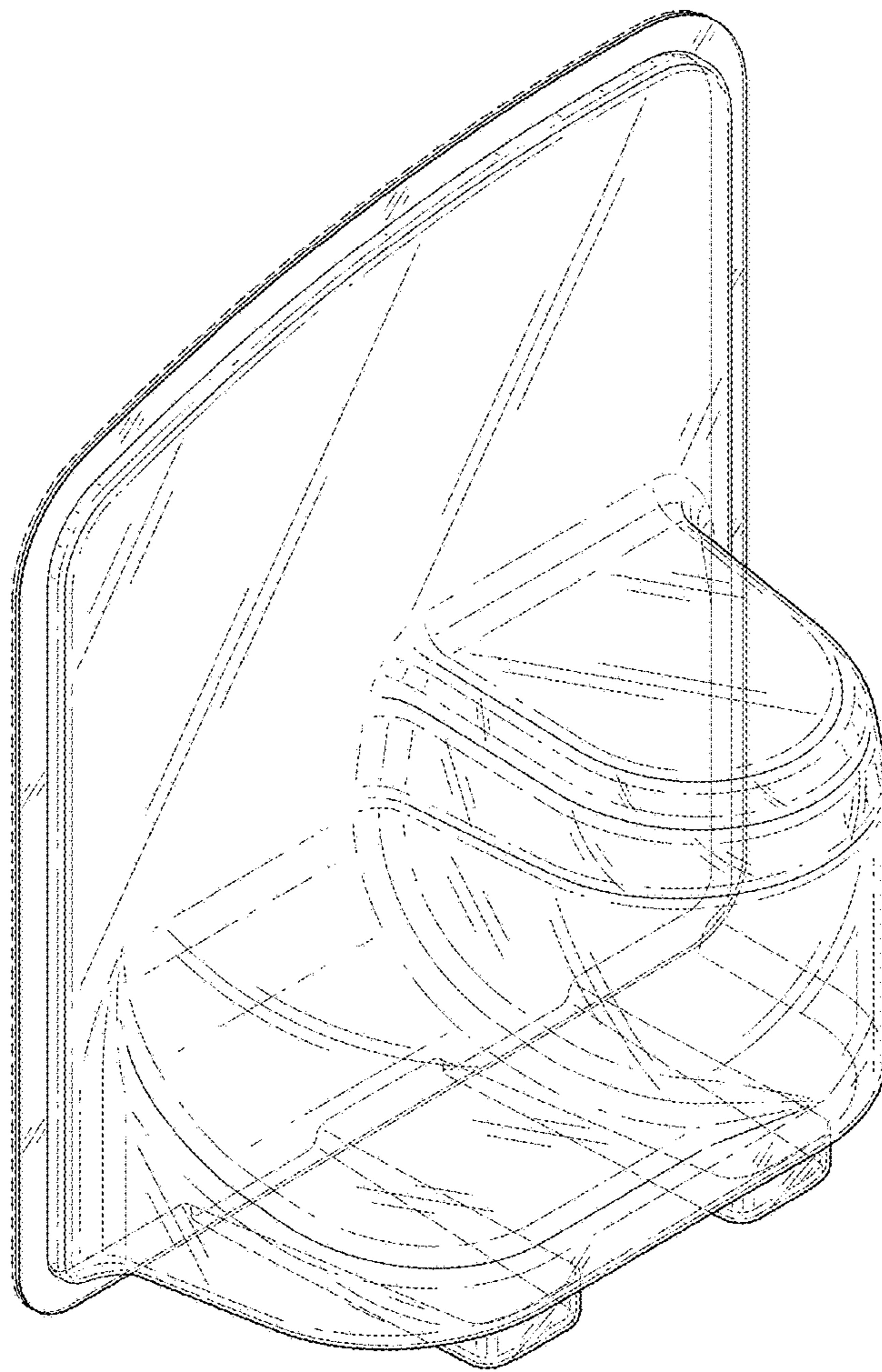


FIG. 1

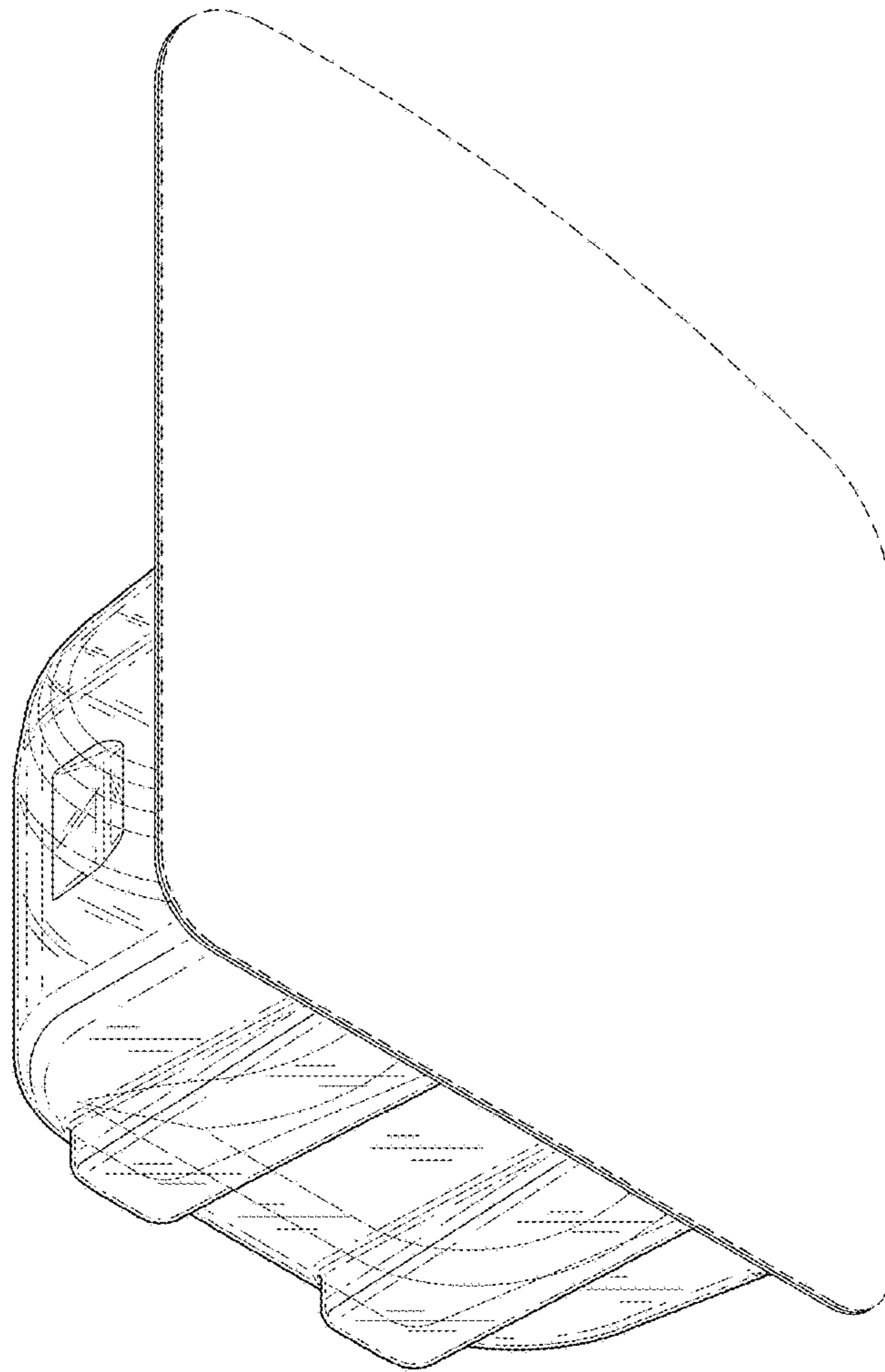


FIG. 2

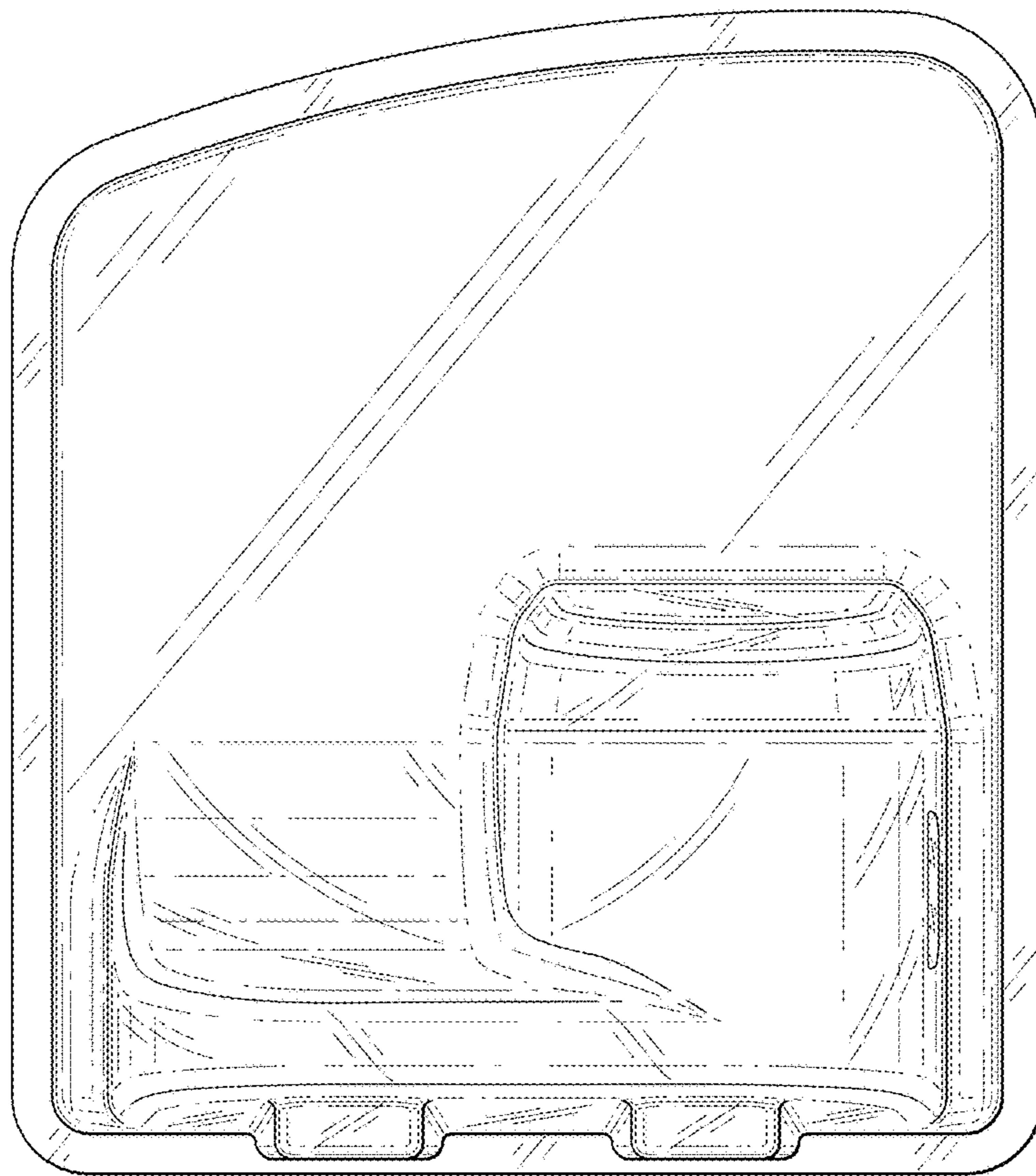


FIG. 3.

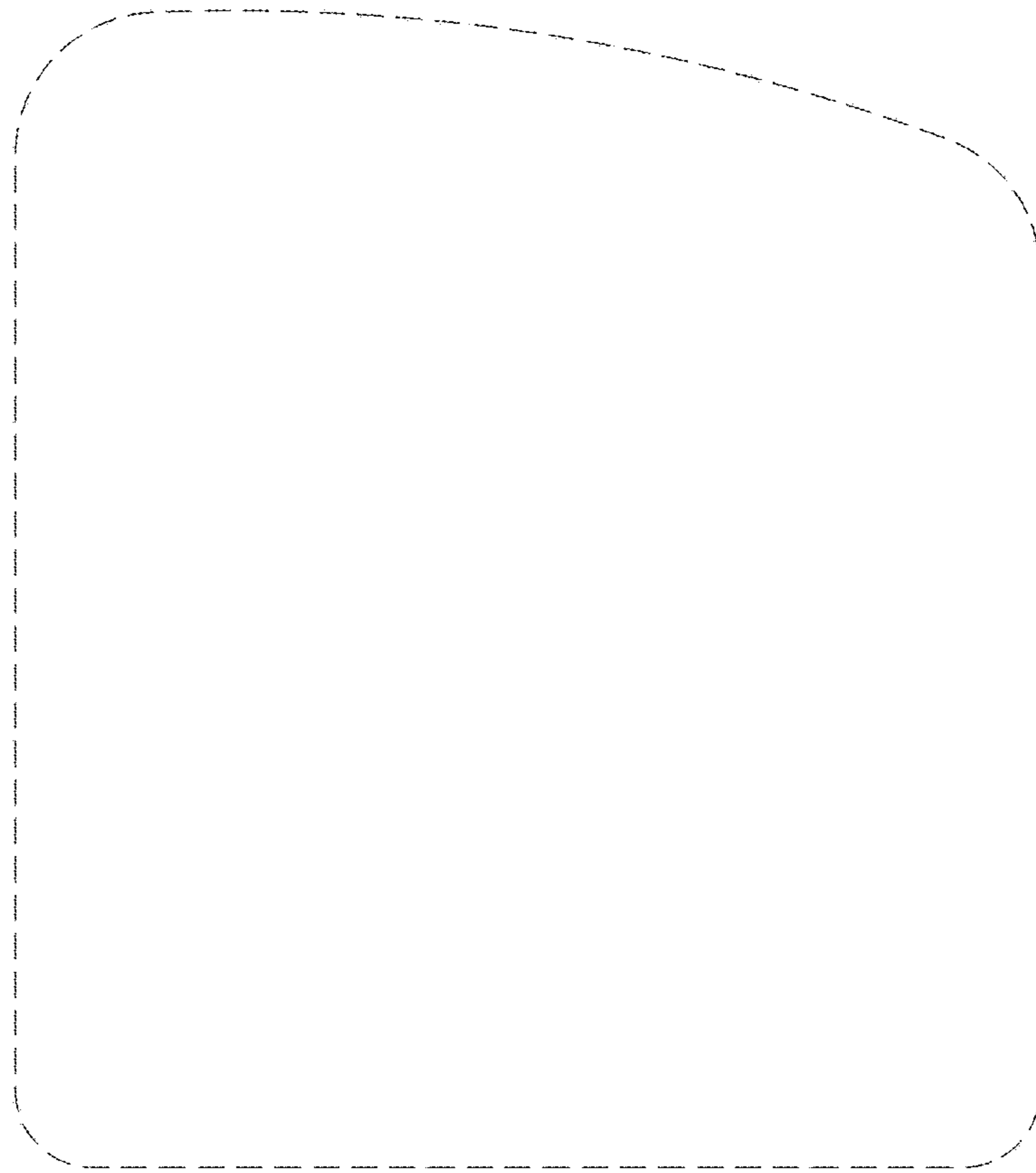


FIG. 4

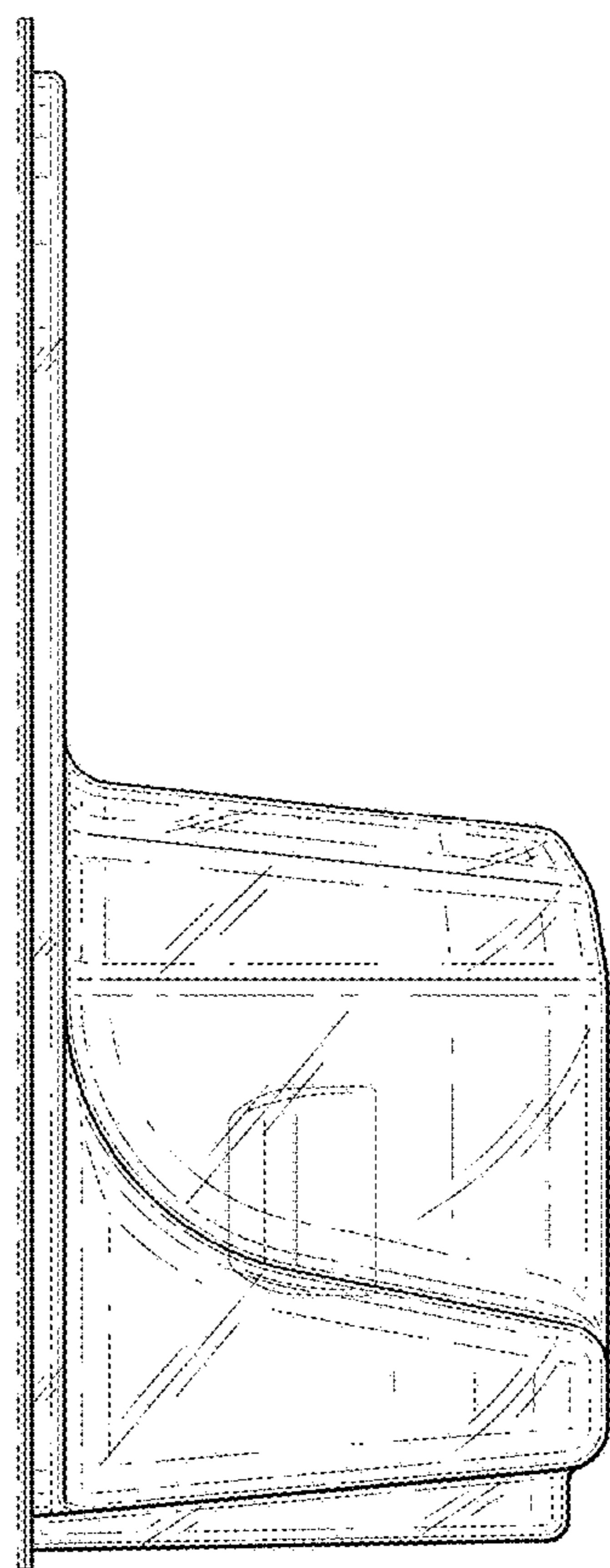


FIG. 5

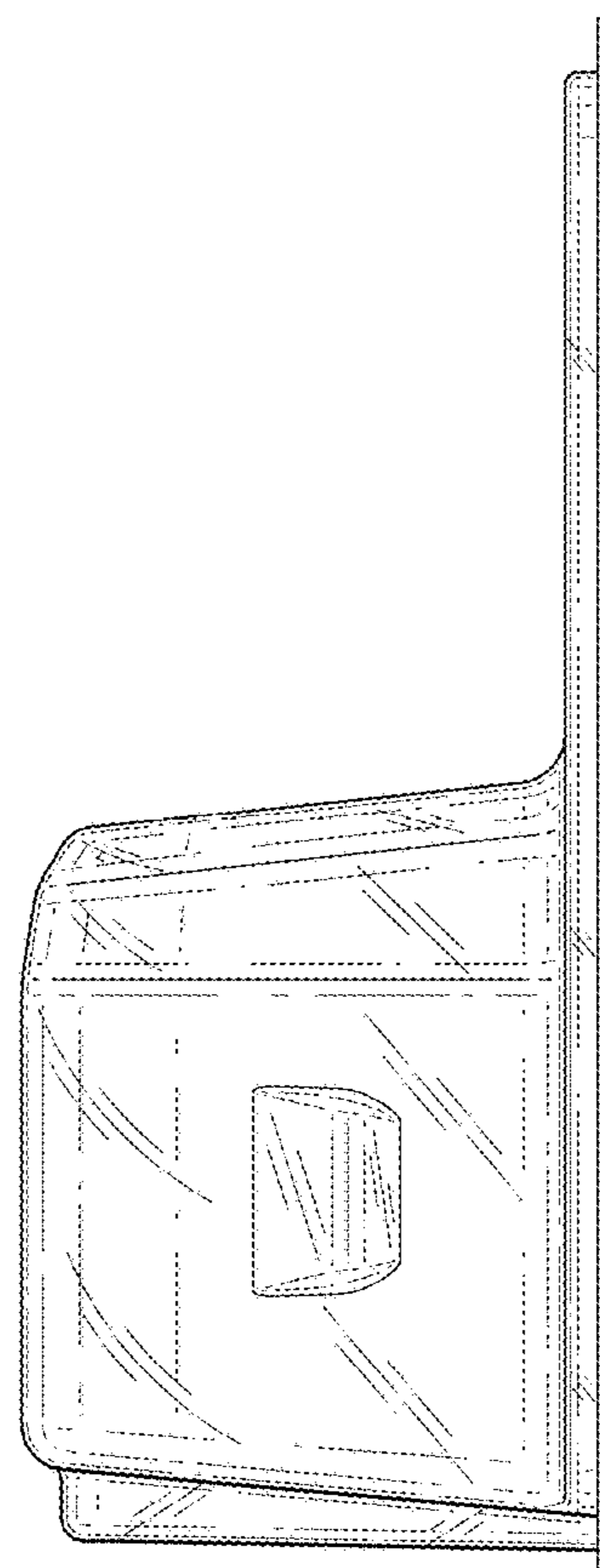


FIG. 6

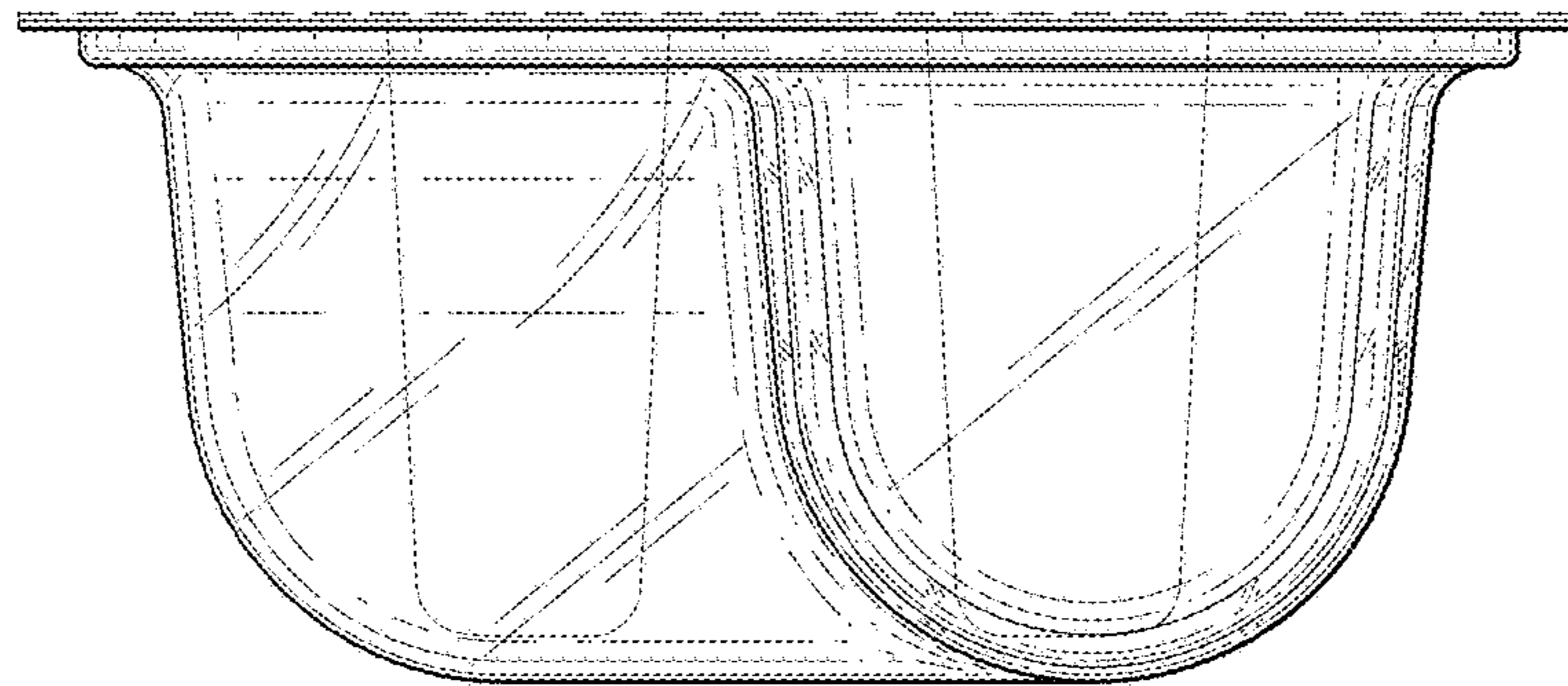


FIG. 7

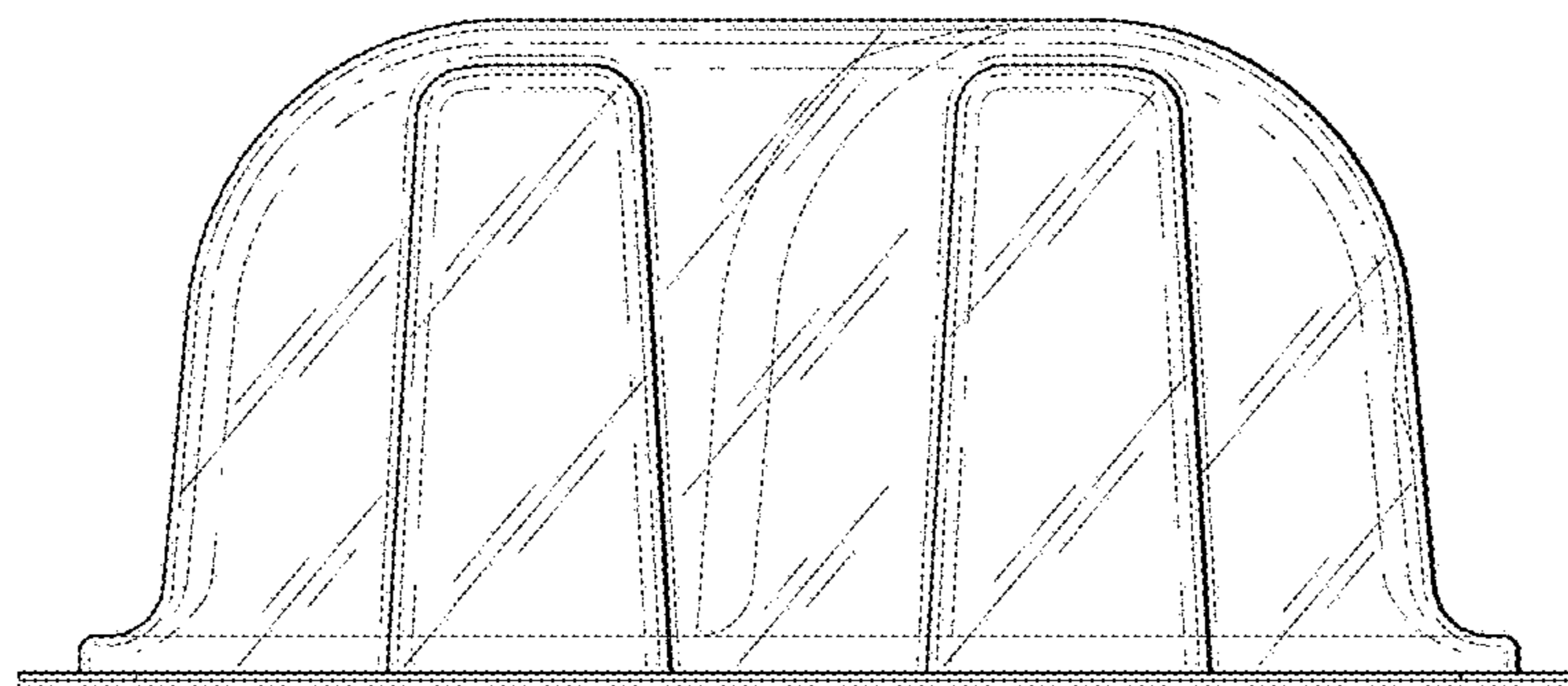


FIG. 8

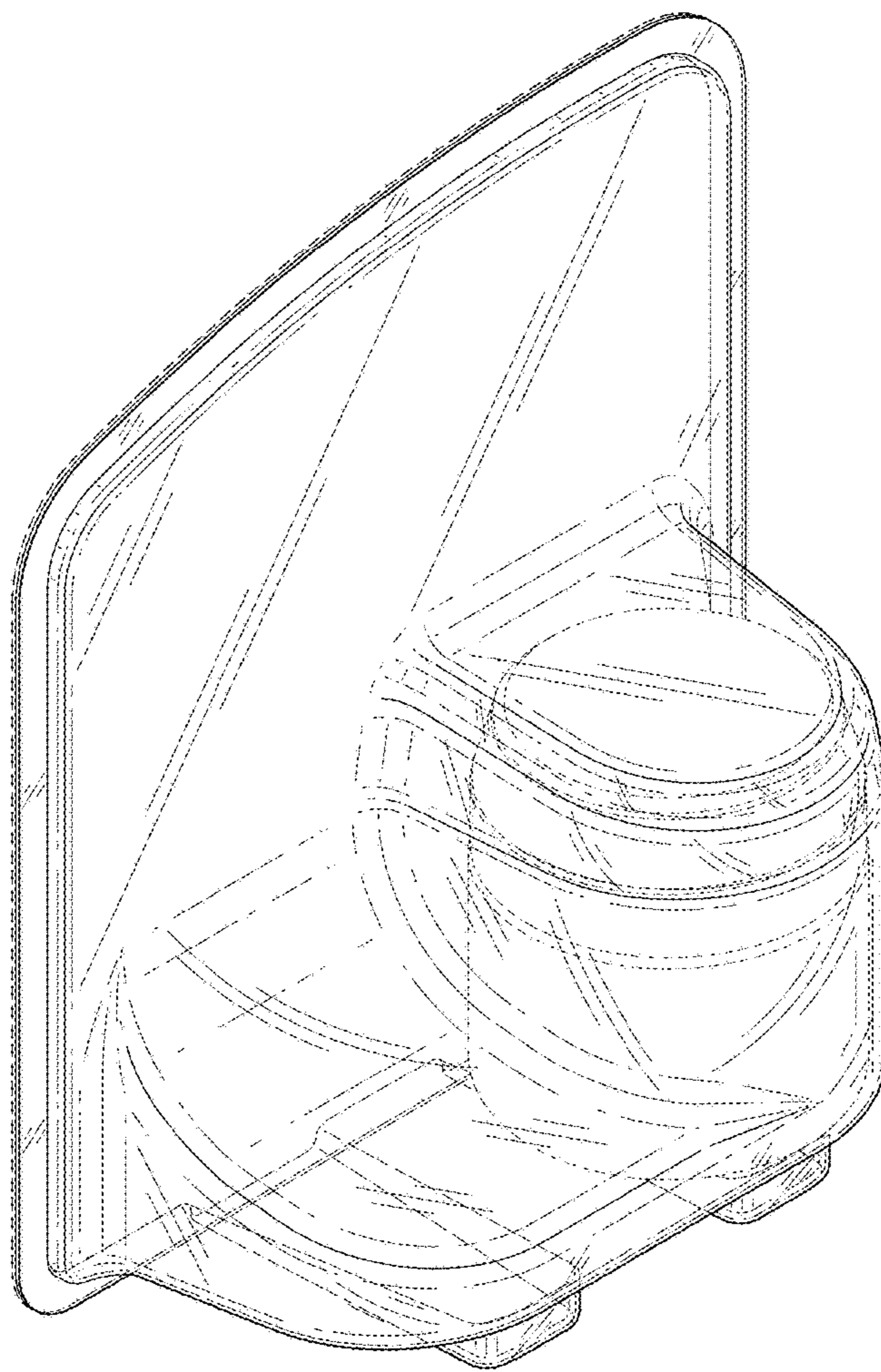


FIG. 9