



US00D850282S

(12) **United States Design Patent**
Kikuta

(10) **Patent No.:** **US D850,282 S**
(45) **Date of Patent:** **** Jun. 4, 2019**

(54) **BAG**

- (71) Applicant: **Marna Inc.**, Tokyo (JP)
- (72) Inventor: **Minami Kikuta**, Tokyo (JP)
- (73) Assignee: **Marna Inc.**, Tokyo (JP)
- (**) Term: **15 Years**

- (21) Appl. No.: **29/610,706**
- (22) Filed: **Jul. 14, 2017**
- (51) **LOC (11) Cl.** **09-05**
- (52) **U.S. Cl.**
USPC **D9/703; D3/233**
- (58) **Field of Classification Search**
USPC D3/201, 226, 233, 232, 239, 240, 245,
D3/246; D9/702-707
CPC A45C 3/06; A45C 3/00; F25D 2331/801
See application file for complete search history.

(56) **References Cited**

U.S. PATENT DOCUMENTS

D139,612 S	12/1944	Norton	
D270,496 S	9/1983	Hyers	
5,941,638 A *	8/1999	Fonseca A47G 9/062 383/4
D504,015 S *	4/2005	Delafontaine D3/233
D510,799 S *	10/2005	Cassegrain D3/233
D517,420 S	3/2006	Scheider	
D576,888 S	9/2008	Helfman	
D600,135 S	9/2009	Valentine et al.	
D627,160 S *	11/2010	Dreyfuss D3/245
D698,545 S *	2/2014	Escobar D3/233
D717,041 S *	11/2014	Pulliam D3/233
D727,617 S *	4/2015	Chehebar D3/233
D728,226 S *	5/2015	Bouskill D3/245

(Continued)

FOREIGN PATENT DOCUMENTS

HK	0312285.0	12/2003
JP	D1435474	3/2012
KR	30-0391007	9/2005

OTHER PUBLICATIONS

Orange Page, Jun. 17, 2012, Japan, (3 pages).

Primary Examiner — Jennifer L Watkins

(74) *Attorney, Agent, or Firm* — Kilyk & Bowersox, P.L.L.C.

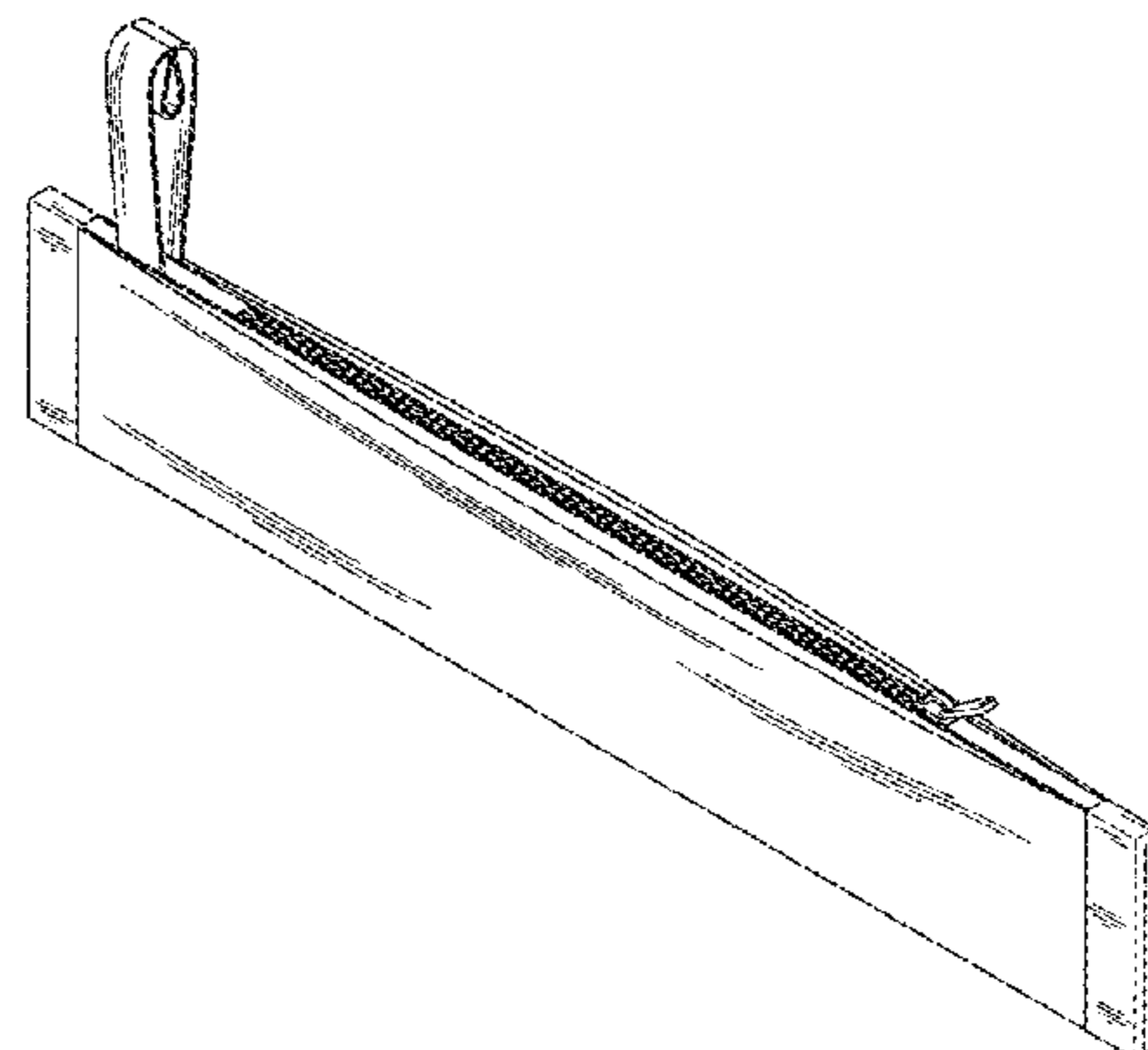
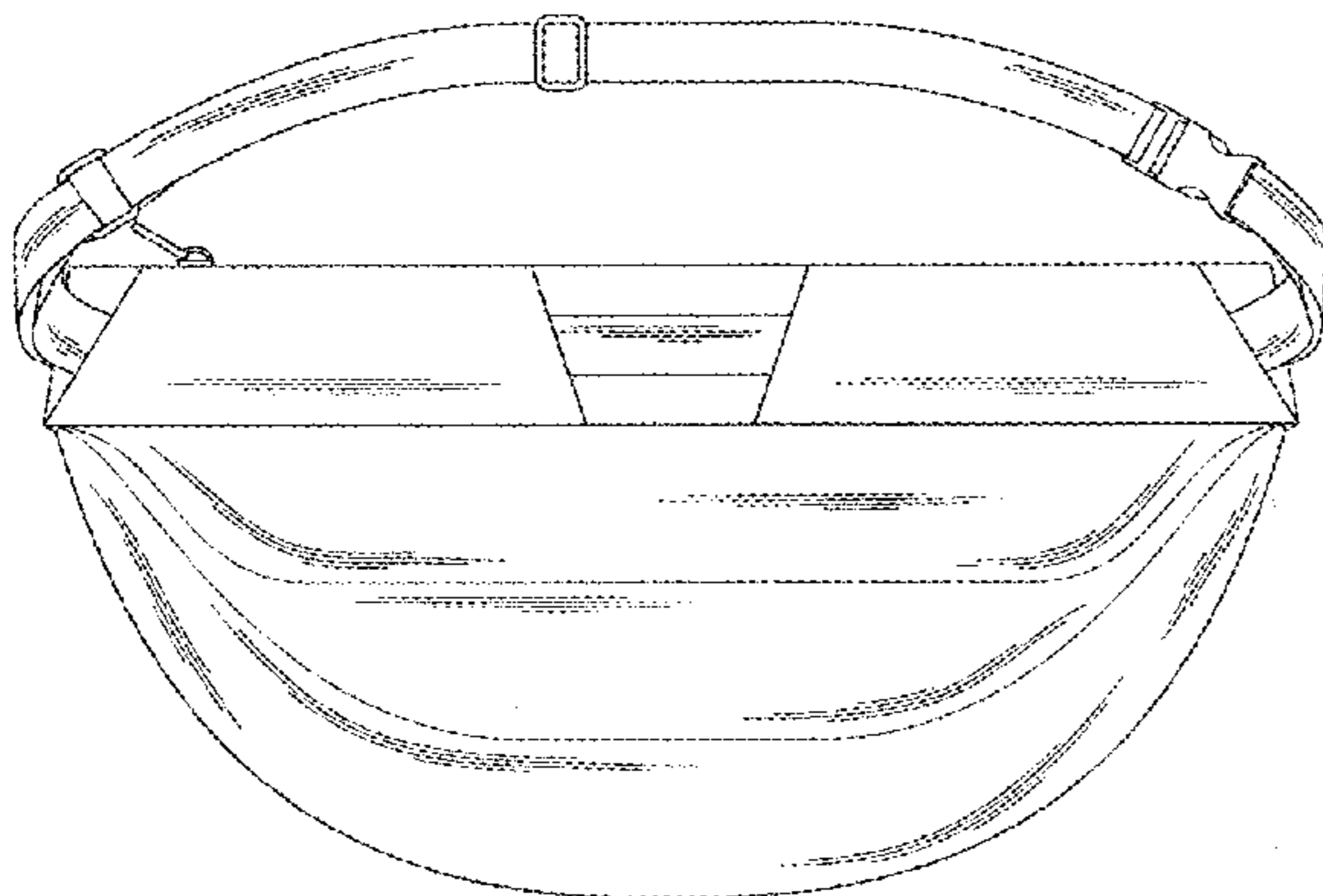
(57) **CLAIM**

The ornamental design for a bag, as shown and described.

DESCRIPTION

FIG. 1 is a front elevation view of a bag showing my new design;
 FIG. 2 is a back elevation view thereof;
 FIG. 3 is a top plan view thereof;
 FIG. 4 is a bottom plan view thereof;
 FIG. 5 is a right side elevation view thereof;
 FIG. 6 is a left side elevation view thereof;
 FIG. 7 is a perspective view thereof illustrating a use state of the bag;
 FIG. 8 is a front elevation view thereof illustrating a folded state of the bag;
 FIG. 9 is a back elevation view thereof illustrating the folded state of the bag;
 FIG. 10 is a top plan view thereof illustrating the folded state of the bag;
 FIG. 11 is a bottom plan view thereof illustrating the folded state of the bag;
 FIG. 12 is a left side elevation view thereof illustrating the folded state of the bag;
 FIG. 13 is a right side elevation view thereof illustrating the folded state of the bag;
 FIG. 14 is a perspective view thereof illustrating the folded state of the bag; and,
 FIG. 15 is a perspective view thereof illustrating the compactly folded state of the bag.

1 Claim, 15 Drawing Sheets



(56)

References Cited

U.S. PATENT DOCUMENTS

D747,604 S	1/2016	Kurtz	
D760,494 S *	7/2016	Harvey-Pankey	D3/232
D760,495 S *	7/2016	Baram	D3/233
D764,942 S	8/2016	Bacchini	
D765,394 S *	9/2016	Moore	D3/233
D776,425 S *	1/2017	MacDonald	D3/232
D777,425 S *	1/2017	Shin	D3/233
D802,441 S *	11/2017	Kikuta	D9/703
D818,266 S *	5/2018	Hawkes	D3/232
D825,349 S *	8/2018	Kikuta	D9/703
D834,309 S *	11/2018	Heyman	D3/232

* cited by examiner

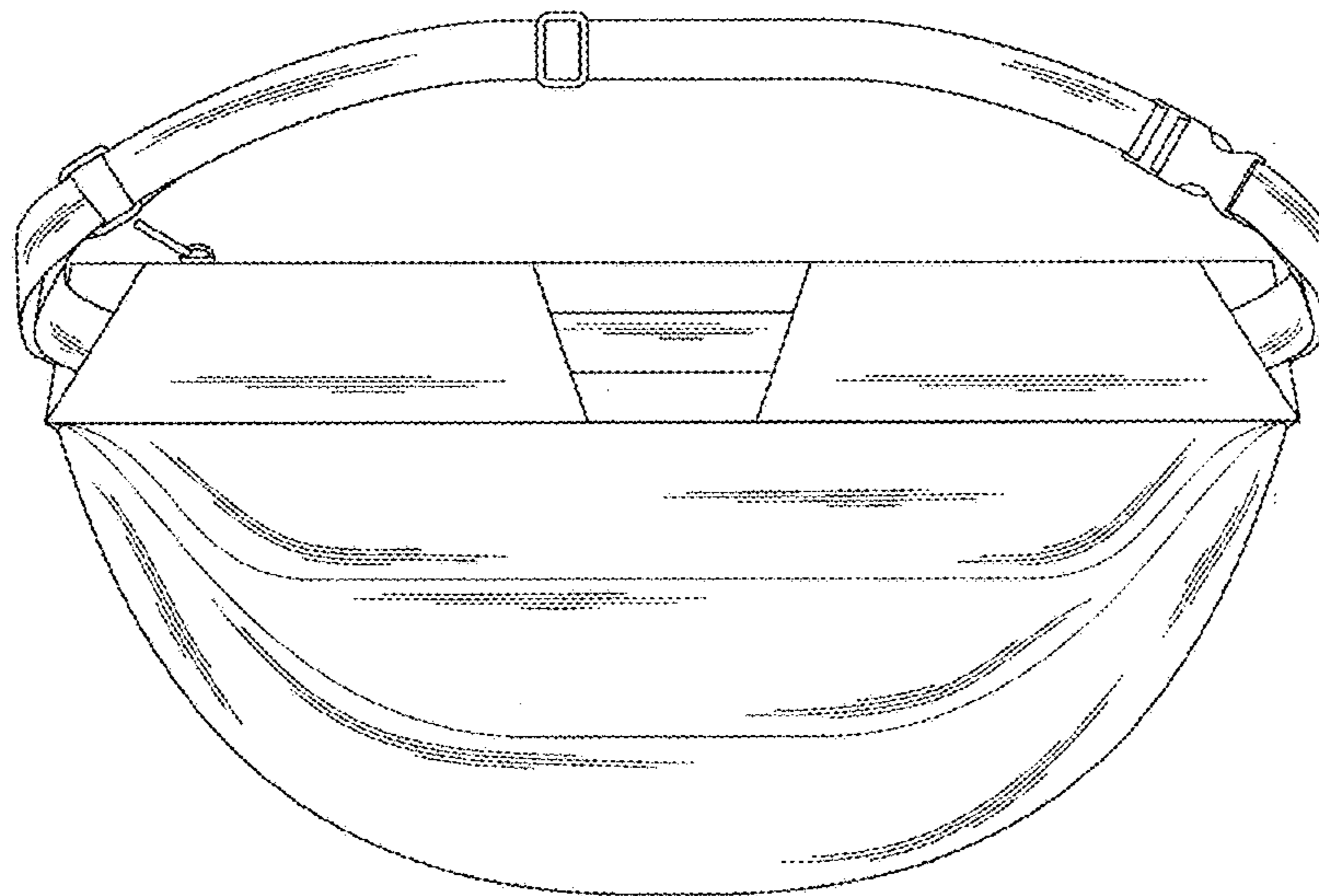


FIG.1

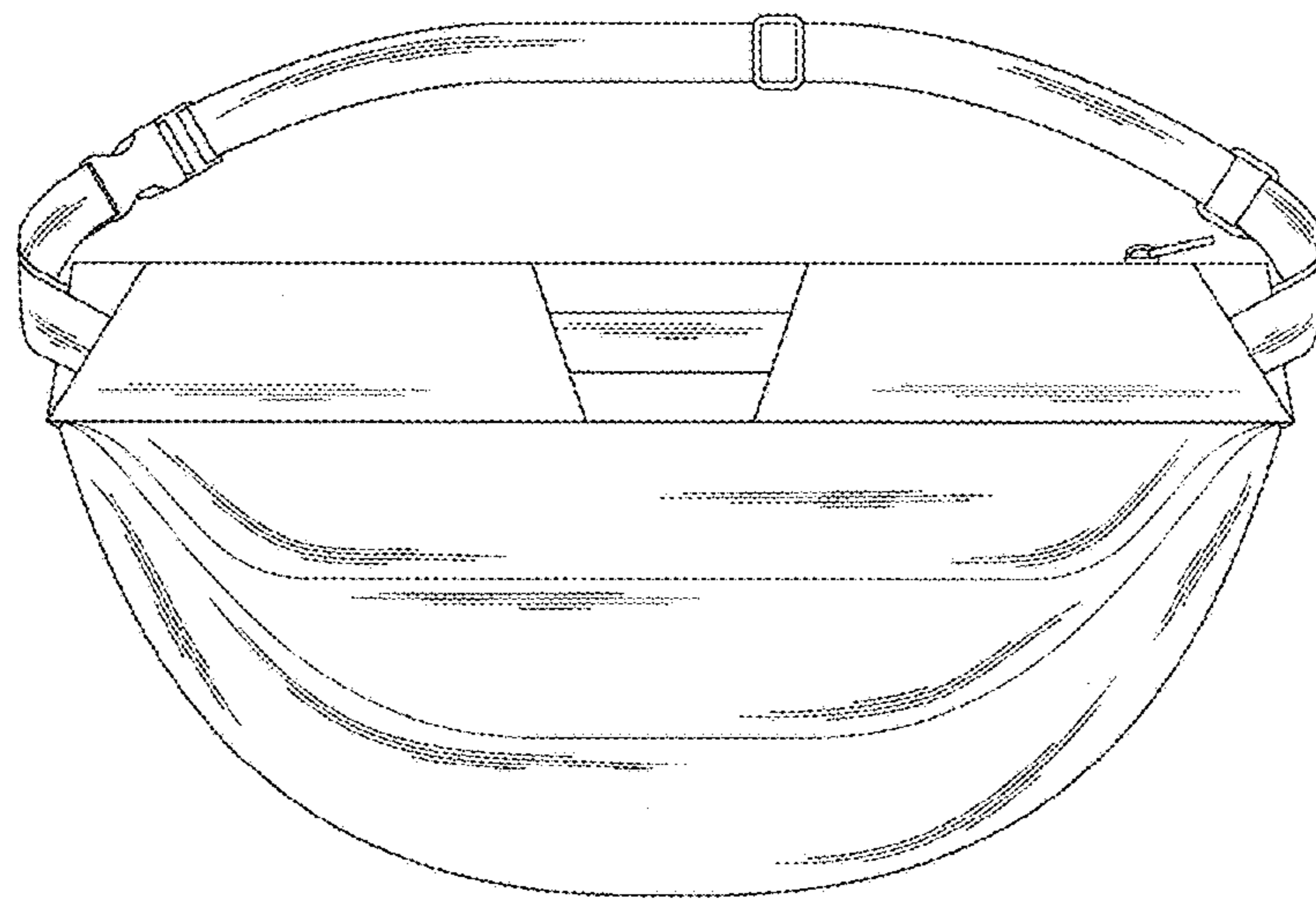


FIG.2

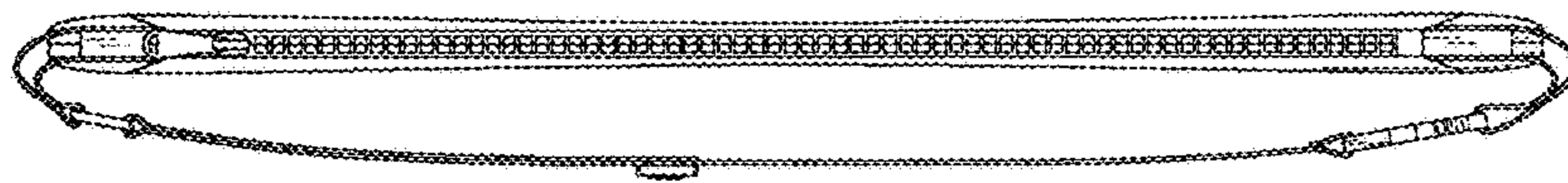


FIG.3

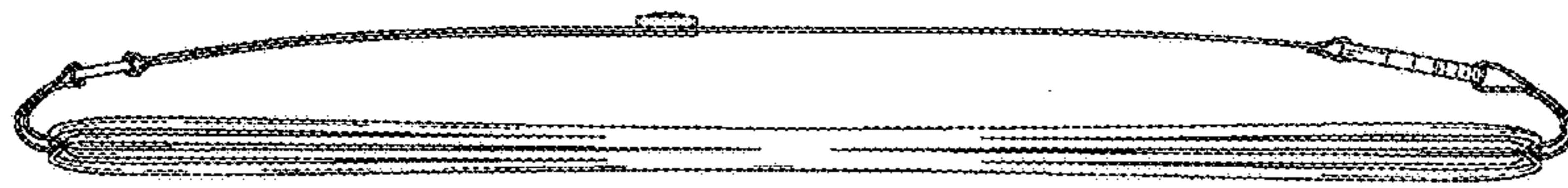


FIG.4



FIG.5

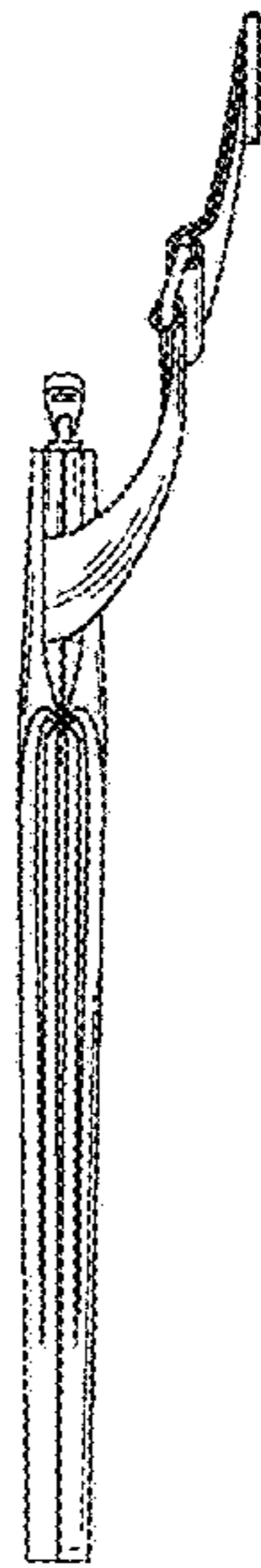


FIG. 6

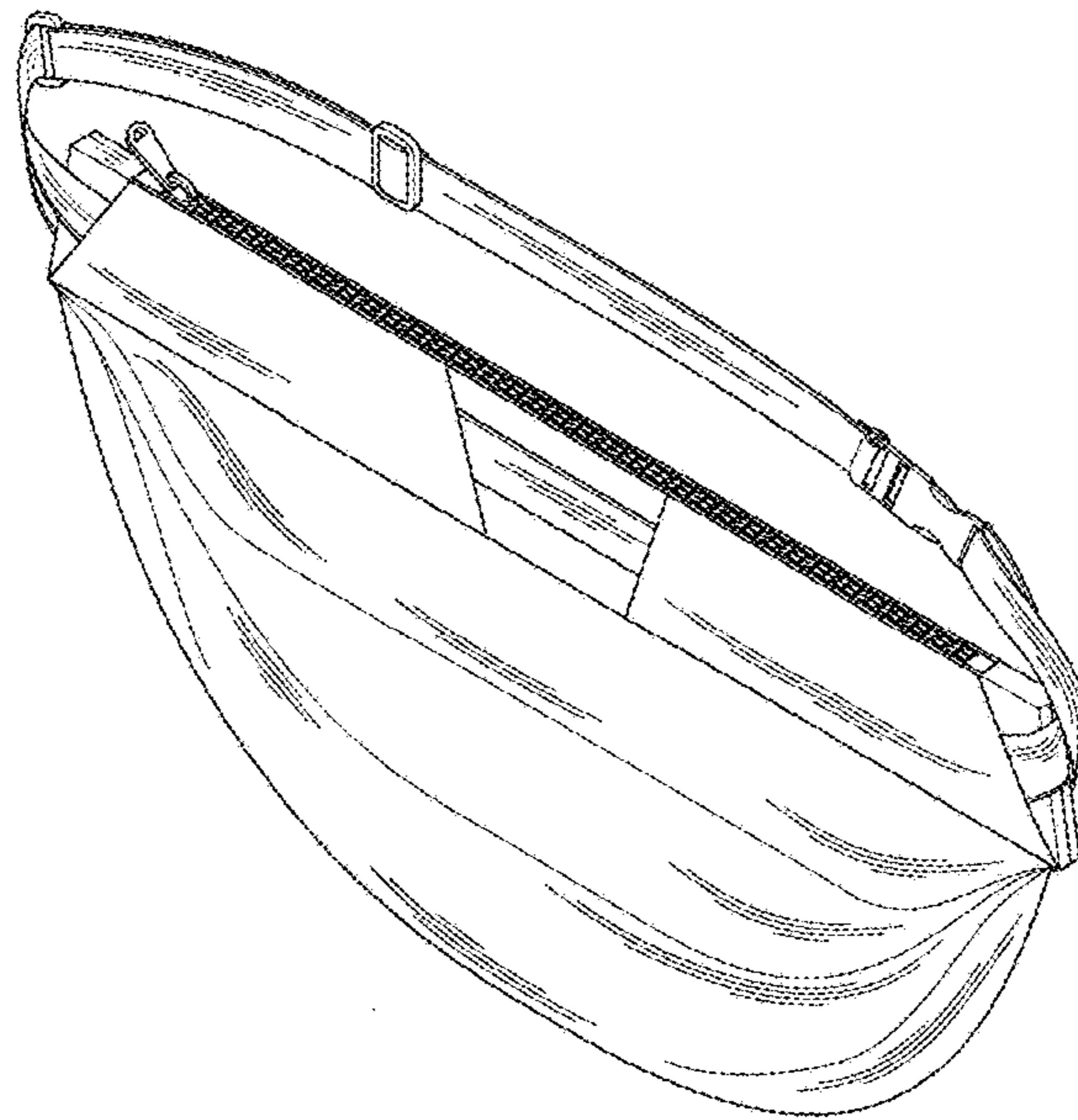


FIG. 7



FIG.8



FIG.9



FIG.10

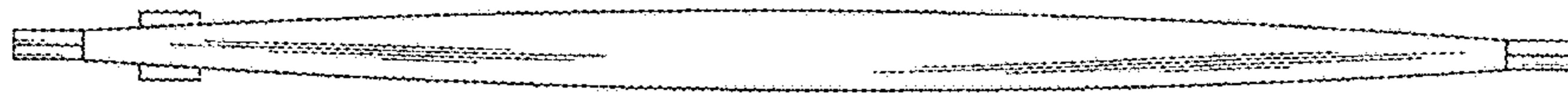


FIG.11



FIG.12

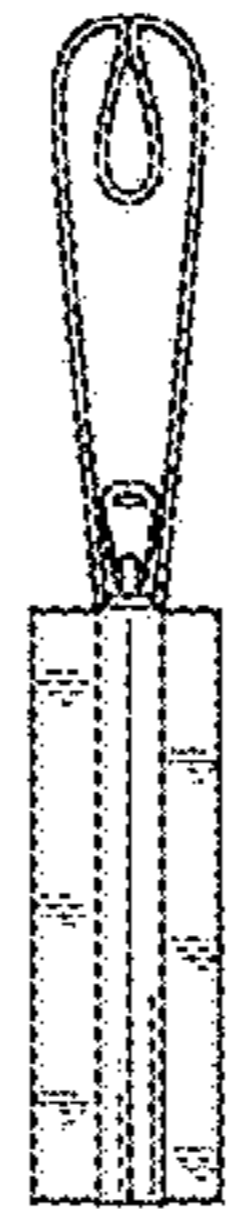


FIG.13

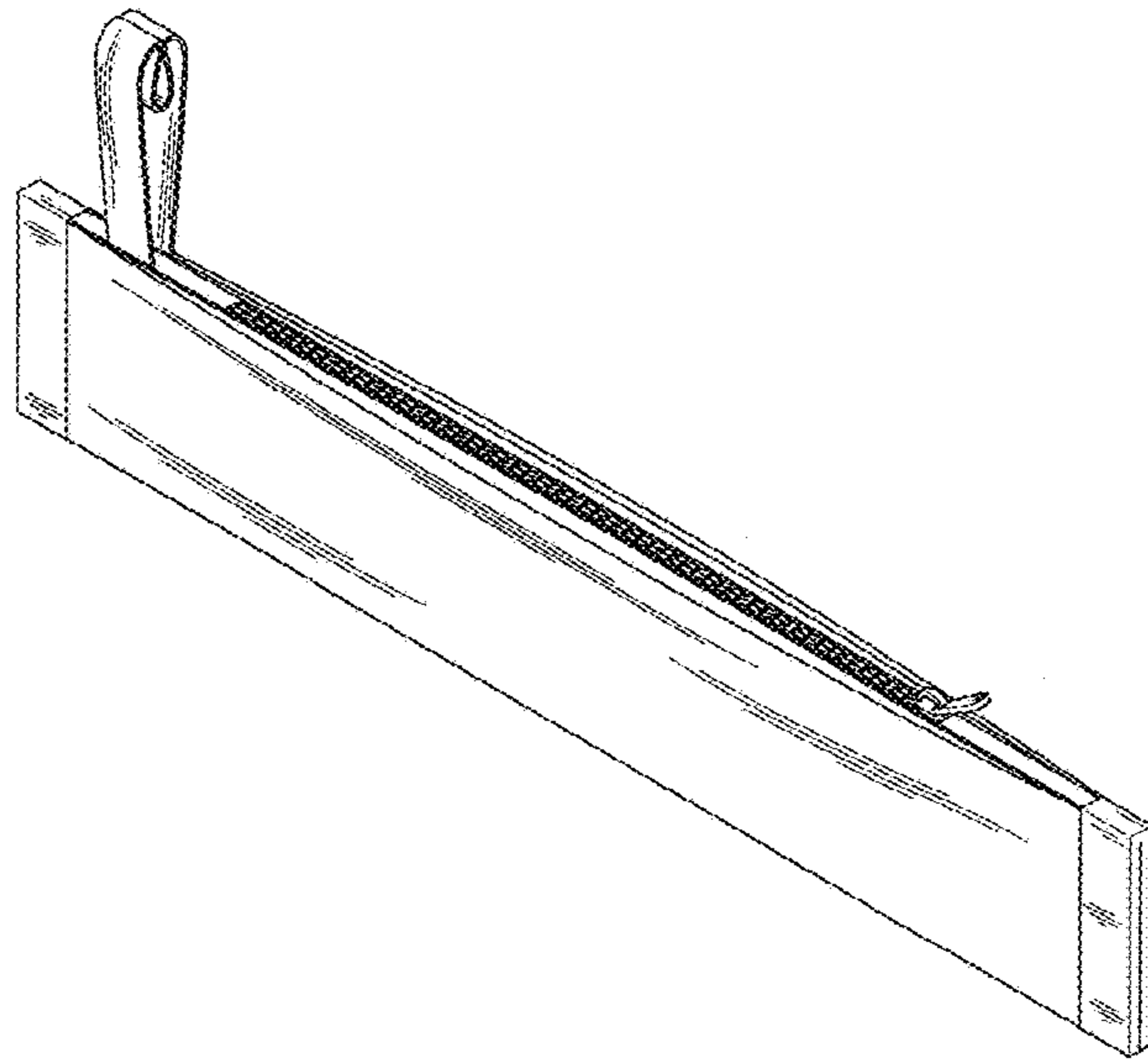


FIG.14

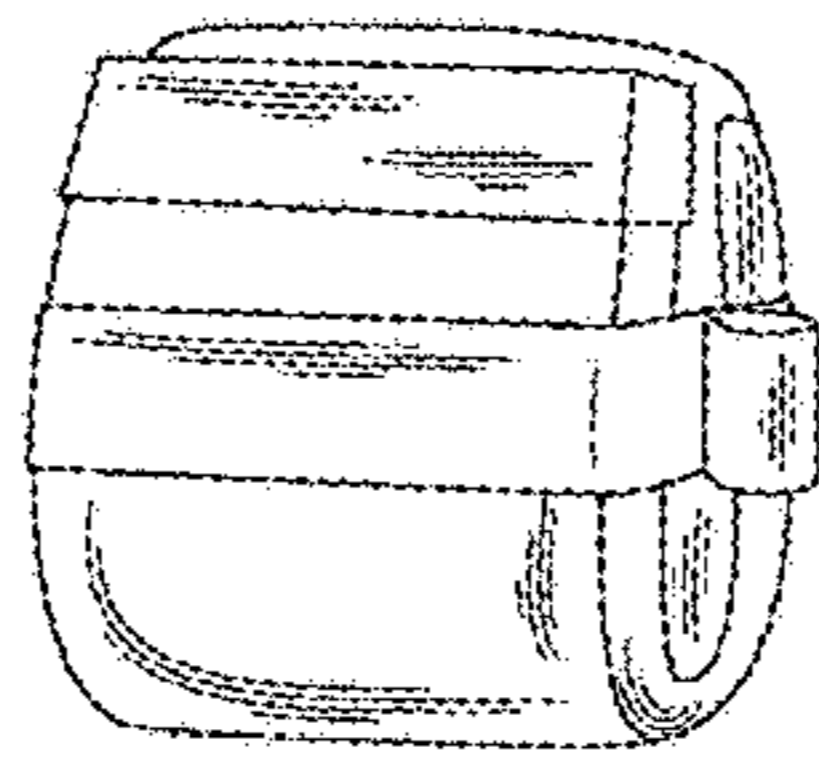


FIG. 15