



US00D850279S

(12) **United States Design Patent**
Liu

(10) **Patent No.:** **US D850,279 S**
(45) **Date of Patent:** **** Jun. 4, 2019**

(54) **COSMETIC CONTAINER**

(71) Applicant: **Zhuhai Ding Rong Plastic Products Co., LTD**, Zhuhai, Guangdong Province (CN)

(72) Inventor: **Ting Nan Liu**, New Taipei (TW)

(73) Assignee: **Zhuhai Ding Rong Plastic Products Co., LTD.**, Zhuhai (CN)

(**) Term: **15 Years**

(21) Appl. No.: **29/648,330**

(22) Filed: **May 21, 2018**

(51) **LOC (11) Cl.** **09-05**

(52) **U.S. Cl.**
USPC **D9/695**

(58) **Field of Classification Search**
USPC D9/702-714, 695-699, 435, 440, 521, D9/454, 544, 723-724, 499, 449, D9/727-728, 442, 447, 504; 222/92, 96, 222/107, 527-529, 215, 491, 206, 222/212-213, 251, 95, 536; 206/438, 206/822; 220/DIG. 7, 669; 215/321, 215/382, 316, 380; 141/114-115; D28/91.1, 76-78, 82, 88; D24/114; D7/601, 602; D3/202, 205
CPC B65D 35/00; B65D 35/28; B65D 35/02; B65D 35/04; B65D 35/08; B65D 35/36; B65D 35/38; B65D 5/00; B65D 5/001
See application file for complete search history.

(56) **References Cited**

U.S. PATENT DOCUMENTS

D730,194 S *	5/2015	Kawai	D9/695
D807,758 S *	1/2018	Kim	D9/697
D821,222 S *	6/2018	Kim	D9/697
D826,729 S *	8/2018	Kim	D9/697

* cited by examiner

Primary Examiner — Abraham Bahta

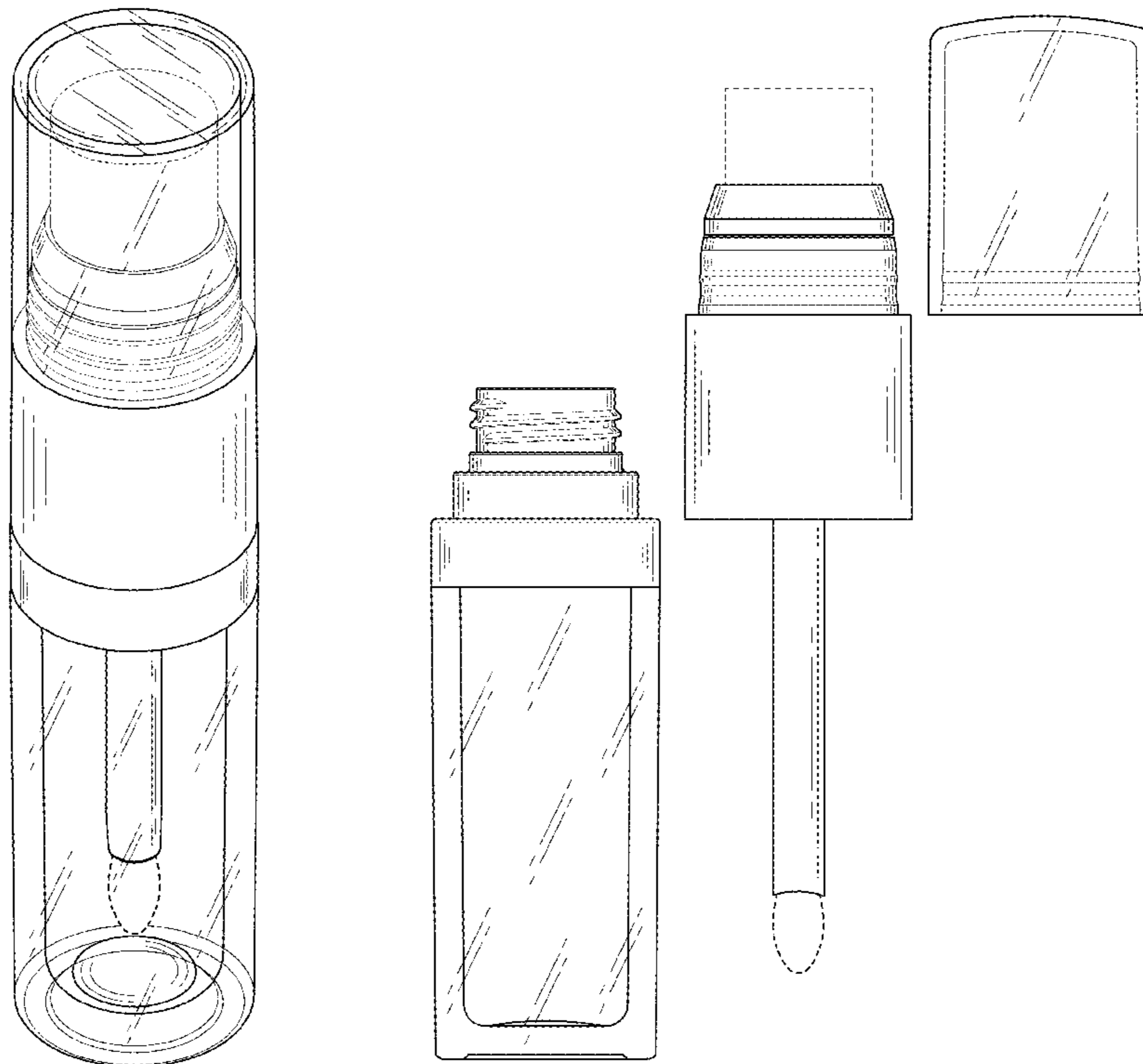
(57) **CLAIM**

The ornamental design for a cosmetic container, as shown and described.

DESCRIPTION

FIG. 1 is a perspective view of a cosmetic container showing my new design;
FIG. 2 is a front elevational view thereof (with the rear and side views being the same);
FIG. 3 is an enlarged top plan view thereof;
FIG. 4 is an enlarged bottom plan view thereof; and,
FIG. 5 is an exploded front elevational view of the cosmetic container.
The broken lines illustrate the cosmetic brushes of the cosmetic container that form no part of the claimed design.

1 Claim, 4 Drawing Sheets



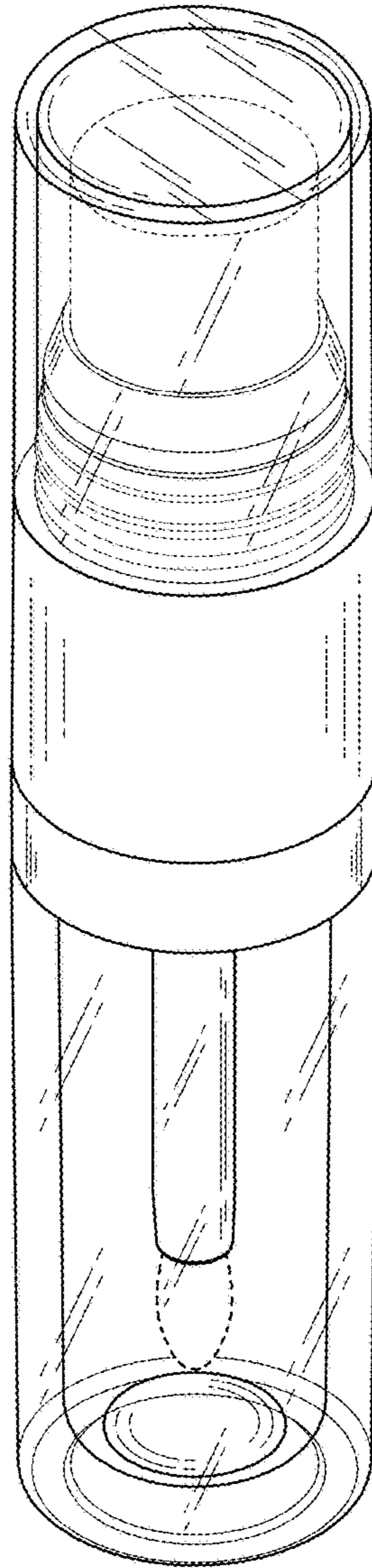


FIG. 1

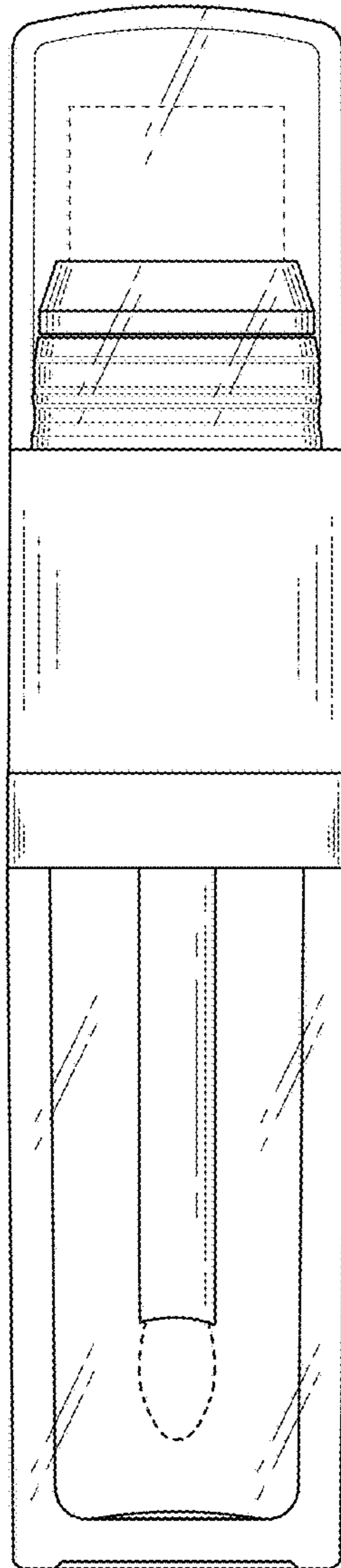


FIG.2

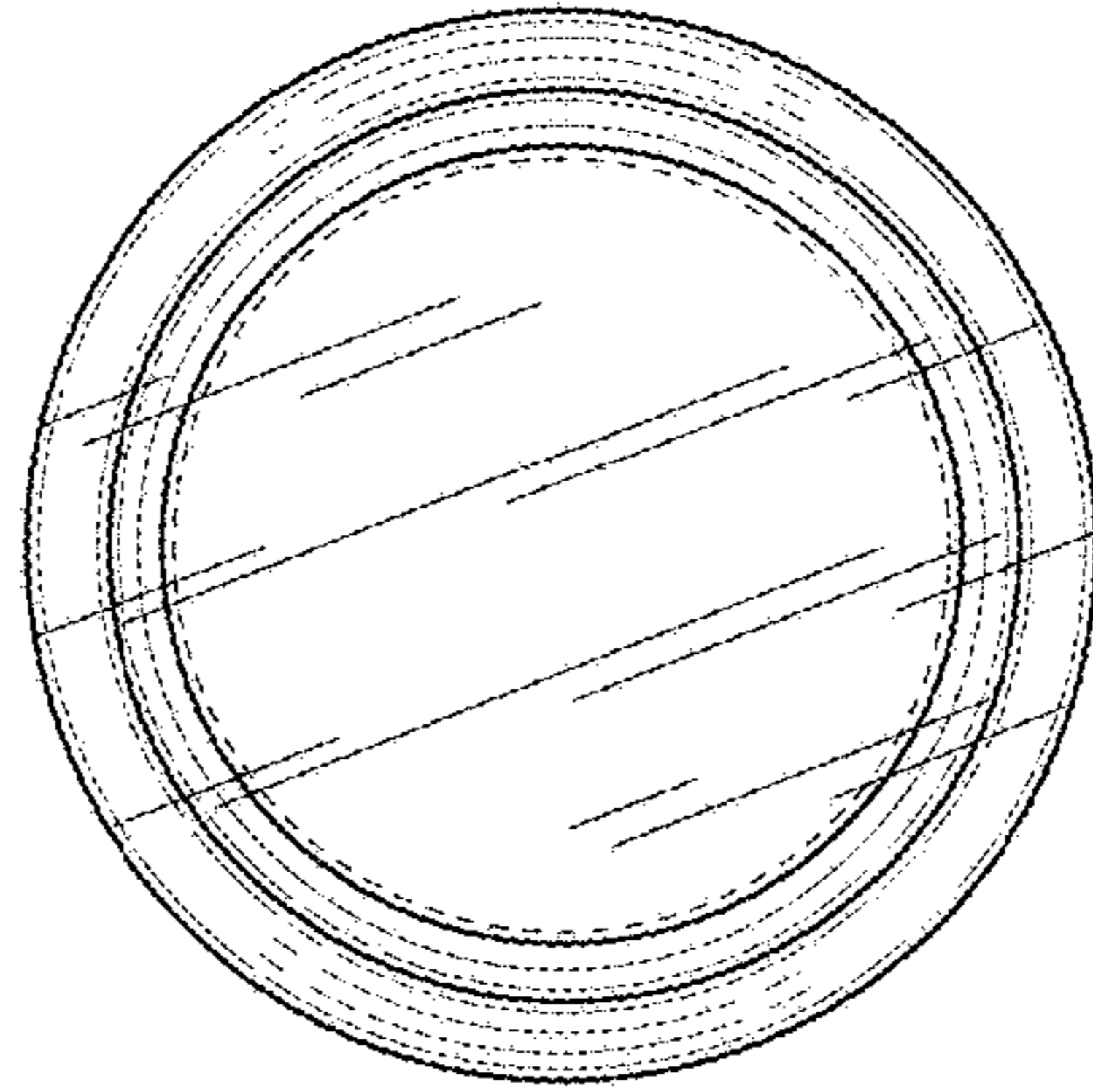


FIG.3

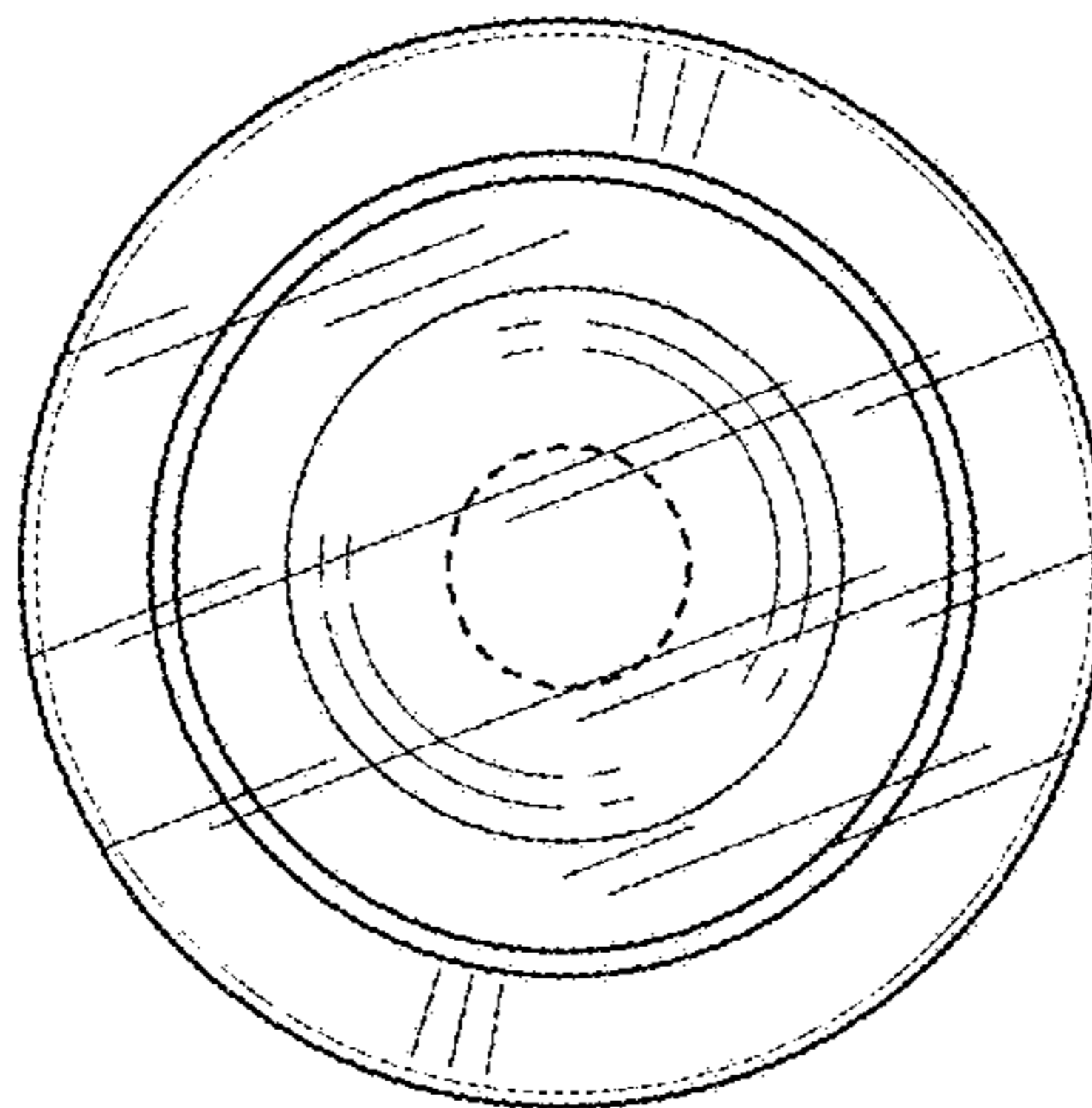


FIG.4

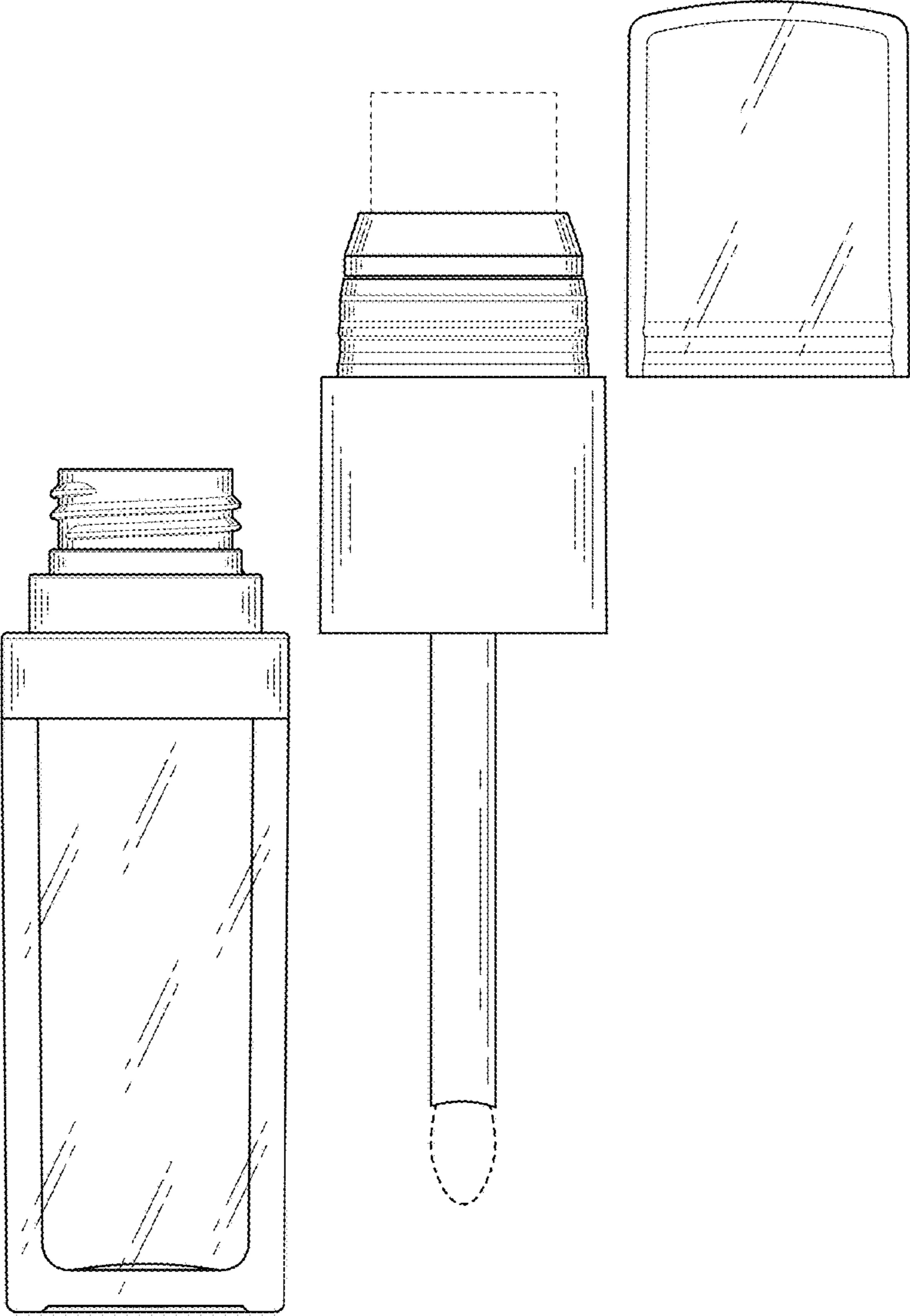


FIG.5