



US00D850276S

(12) **United States Design Patent**
Drake et al.

(10) **Patent No.:** **US D850,276 S**
(45) **Date of Patent:** **** Jun. 4, 2019**

- (54) **BOTTLE**
- (71) Applicant: **ENDURAPHIN, INC.**, Binghamton, NY (US)
- (72) Inventors: **Daniel Drake**, Cicero, NY (US);
Michael Dalberth, Clay, NY (US)
- (73) Assignee: **Enduraphin, Inc.**, Binghamton, NY (US)
- (**) Term: **15 Years**
- (21) Appl. No.: **29/669,676**
- (22) Filed: **Nov. 9, 2018**
- (51) **LOC (11) Cl.** **09-01**
- (52) **U.S. Cl.**
USPC **D9/575**; D9/520; D9/557
- (58) **Field of Classification Search**
USPC D9/500, 502-503, 516, 522, 530, 537,
D9/540, 549, 557-558, 570, 575, 715,
D9/719
CPC B65D 1/00; B65D 1/02; B65D 1/0223;
B65D 23/00; B65D 81/00; B65D
2501/00; B65D 2501/0009
See application file for complete search history.

D363,027 S 10/1995 Mansau
5,803,290 A 9/1998 Bongiorno
D399,754 S 10/1998 Bertolini
(Continued)

Primary Examiner — Dana Meyrow
(74) *Attorney, Agent, or Firm* — Hodgson Russ LLP

(57) **CLAIM**

The ornamental design for a bottle, as shown and described.

DESCRIPTION

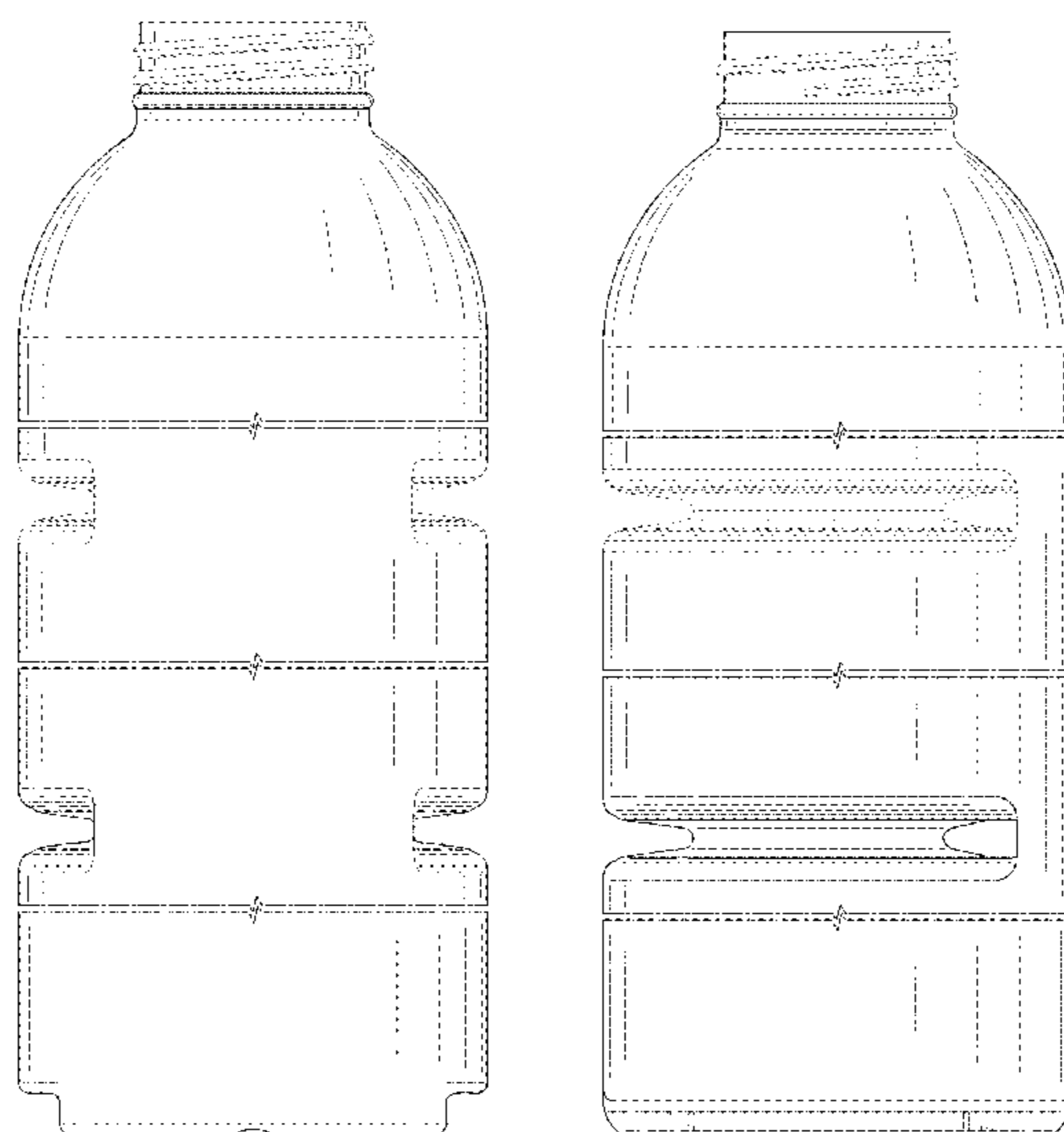
FIG. 1 is a front top perspective view of a bottle showing our new design;
FIG. 2 is a rear bottom perspective view of the bottle of FIG. 1;
FIG. 3 is a front elevational view of the bottle of FIG. 1;
FIG. 4 is a rear elevational view of the bottle of FIG. 1;
FIG. 5 is a right side view of the bottle of FIG. 1;
FIG. 6 is a left side view of the bottle of FIG. 1;
FIG. 7 is a top view of the bottle of FIG. 1;
FIG. 8 is a bottom view of the bottle of FIG. 1;
FIG. 9 is a front top perspective view of a second embodiment of a bottle showing our new design;
FIG. 10 is a rear bottom perspective view of the bottle of FIG. 9;
FIG. 11 is a front elevational view of the bottle of FIG. 9;
FIG. 12 is a rear elevational view of the bottle of FIG. 9;
FIG. 13 is a right side view of the bottle of FIG. 9;
FIG. 14 is a left side view of the bottle of FIG. 9;
FIG. 15 is a top view of the bottle of FIG. 9; and,
FIG. 16 is a bottom view of the bottle of FIG. 9.
The evenly-dashed broken lines in the drawings illustrate the portions of the bottle that form no part of the claim. The dot-dash broken lines in the drawings showing breaks in the bottle sidewall define the bounds of the claim and form no part thereof. Any portion of the bottle between those breaks forms no part of the claimed design.

(56) **References Cited**

U.S. PATENT DOCUMENTS

45,309 A	12/1864	Bliss	
D7,181 S	2/1874	Durkee	
D72,960 S	6/1927	Mas	
D79,958 S *	11/1929	De Wagner	D9/540
D97,102 S	10/1935	Smith	
D199,204 S	9/1964	Dailey	
D252,497 S	7/1979	Courreges	
D333,098 S *	2/1993	Hestehave	D9/531
D335,455 S *	5/1993	Brown	D9/516
D335,456 S *	5/1993	Brown	D9/516
D338,405 S *	8/1993	Charbonneau	D9/520
D361,269 S *	8/1995	Fenton	D9/540

1 Claim, 14 Drawing Sheets



(56)

References Cited

U.S. PATENT DOCUMENTS

D407,649 S	4/1999	McCallister		D605,048 S	12/2009	Smith	
D411,804 S *	7/1999	Zaragoza	D9/540	D610,018 S	2/2010	Zoppas	
D447,697 S	9/2001	Schultz		D612,256 S	3/2010	Wurster	
D457,435 S *	5/2002	Rashid	D9/502	D641,244 S *	7/2011	Bysick	D9/502
D464,267 S	10/2002	Mixon		D664,855 S	8/2012	Teitelbaum	
D482,625 S	11/2003	Crawford		D692,306 S	10/2013	Lee	
6,695,162 B1	2/2004	Boukobza et al.		D714,154 S	9/2014	Keeler	
D520,372 S	5/2006	Andoh		8,910,812 B2	12/2014	Pedmo	
D523,346 S	6/2006	Andoh		D759,490 S	6/2016	Cetnar	
D544,364 S	6/2007	Archeny		D779,885 S	2/2017	Crowder	
D551,984 S	10/2007	La Kier		D782,318 S	3/2017	Sanghavi	
D570,217 S *	6/2008	Meillerais	D9/502	D784,139 S	4/2017	Robinson	
D579,781 S	11/2008	Granitz		D784,145 S	4/2017	Robinson	
D581,282 S	11/2008	Lepoitevin		D784,817 S	4/2017	Heisner	
D598,296 S	8/2009	Serrano Diaz		D802,429 S	11/2017	Williams	
D598,771 S	8/2009	Kissinger		D803,692 S	11/2017	Enxing	
D601,426 S	10/2009	Darr		2007/0199916 A1	8/2007	Denner et al.	
D603,707 S *	11/2009	Lourenco	D9/502	2013/0306660 A1	11/2013	Bysick et al.	
				2017/0368518 A1	12/2017	Drake	
				2018/0310771 A1	11/2018	Hellmann	

* cited by examiner

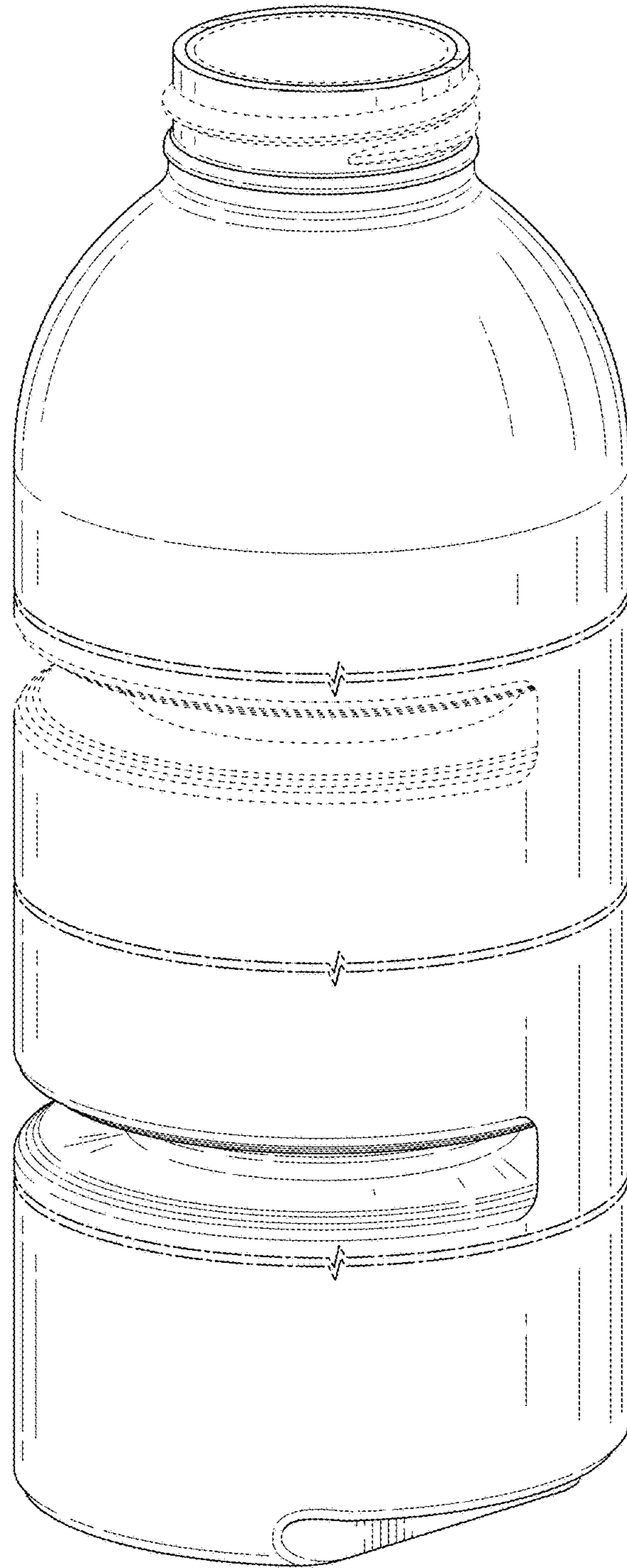


FIG. 1

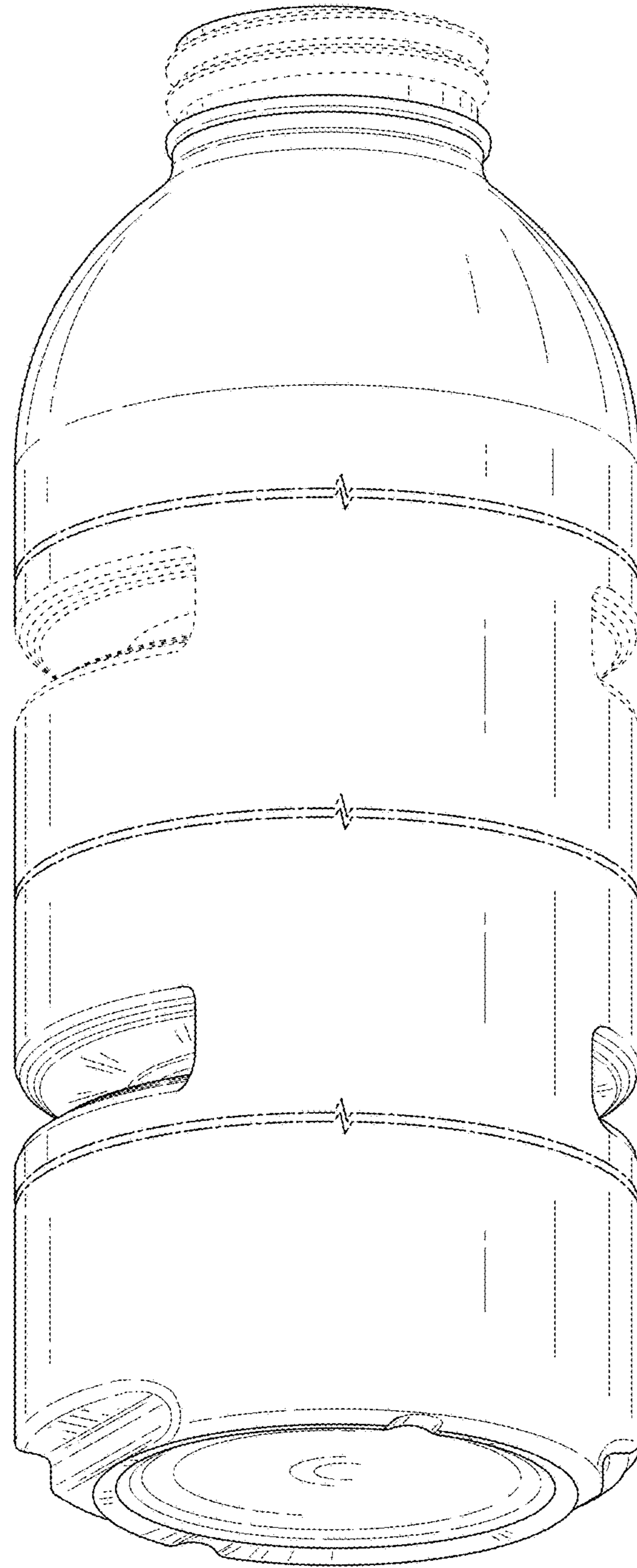


FIG. 2

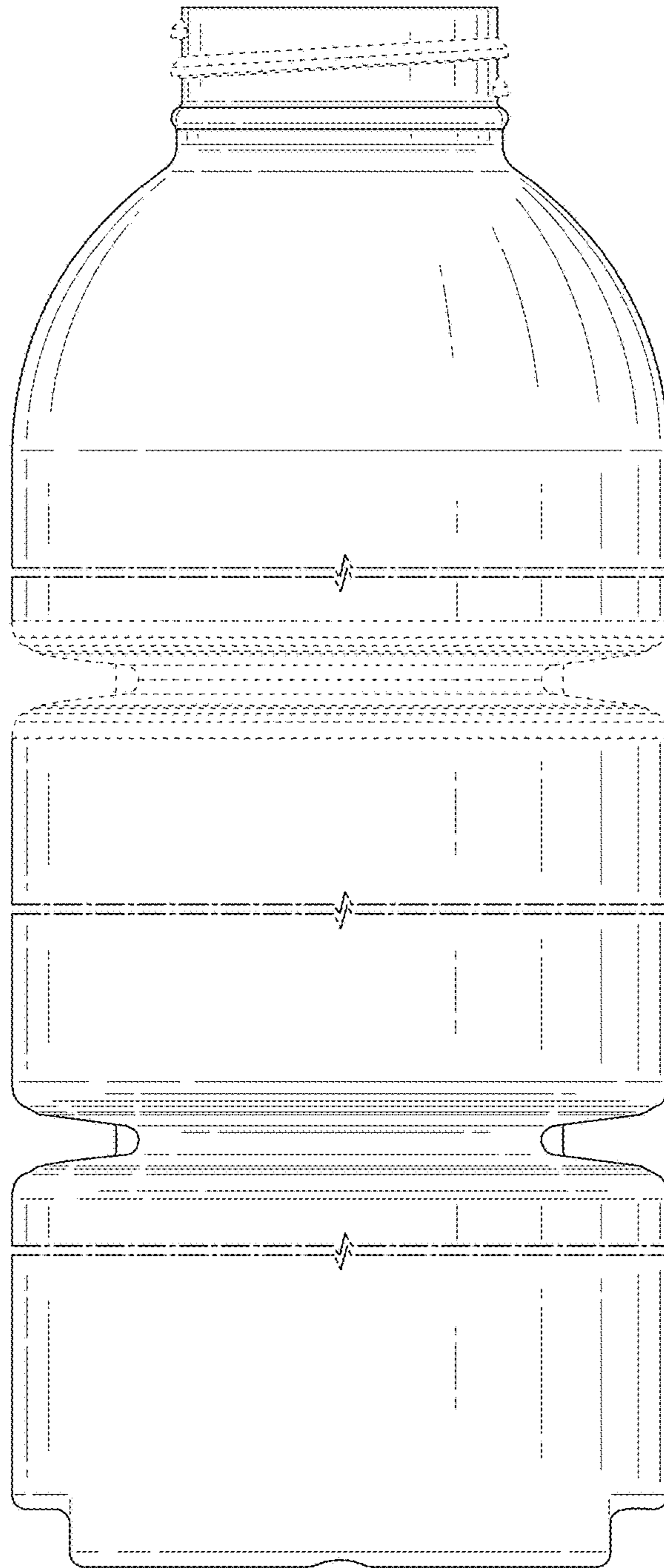


FIG. 3

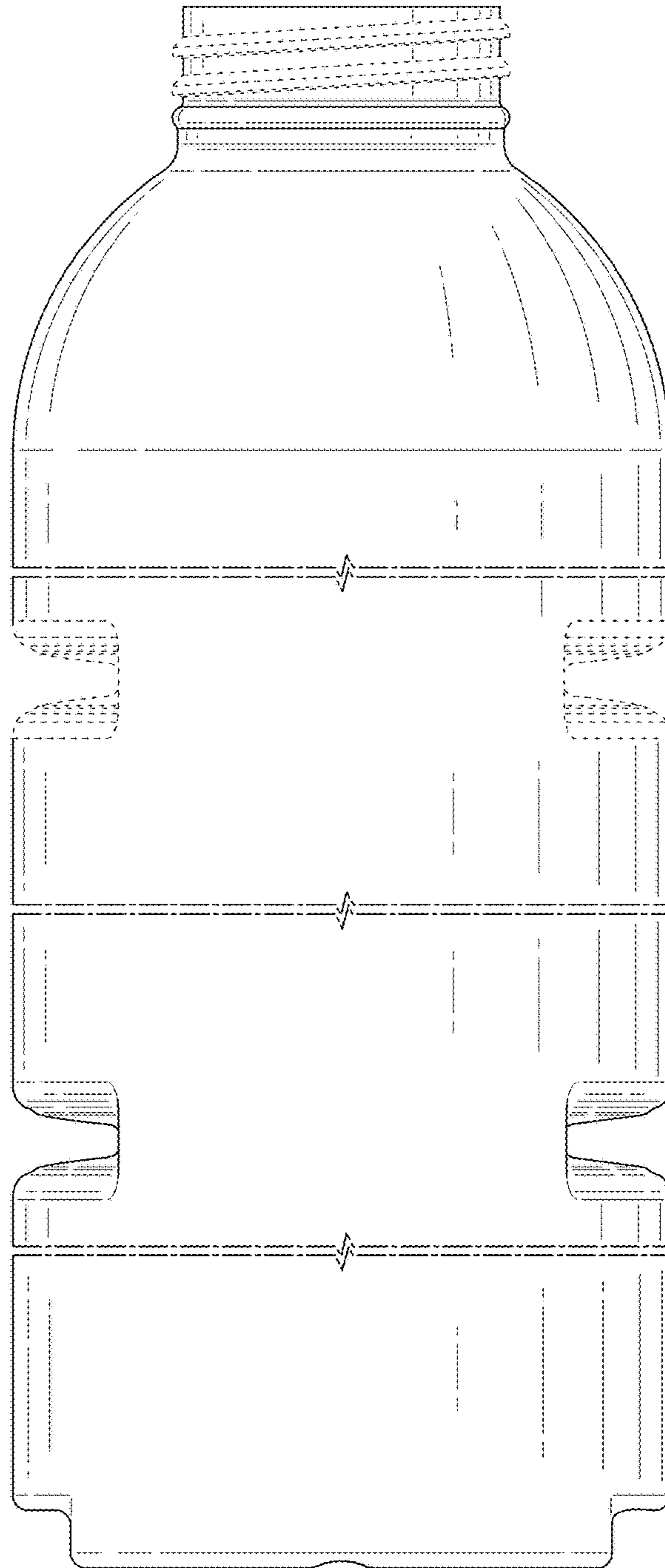


FIG. 4

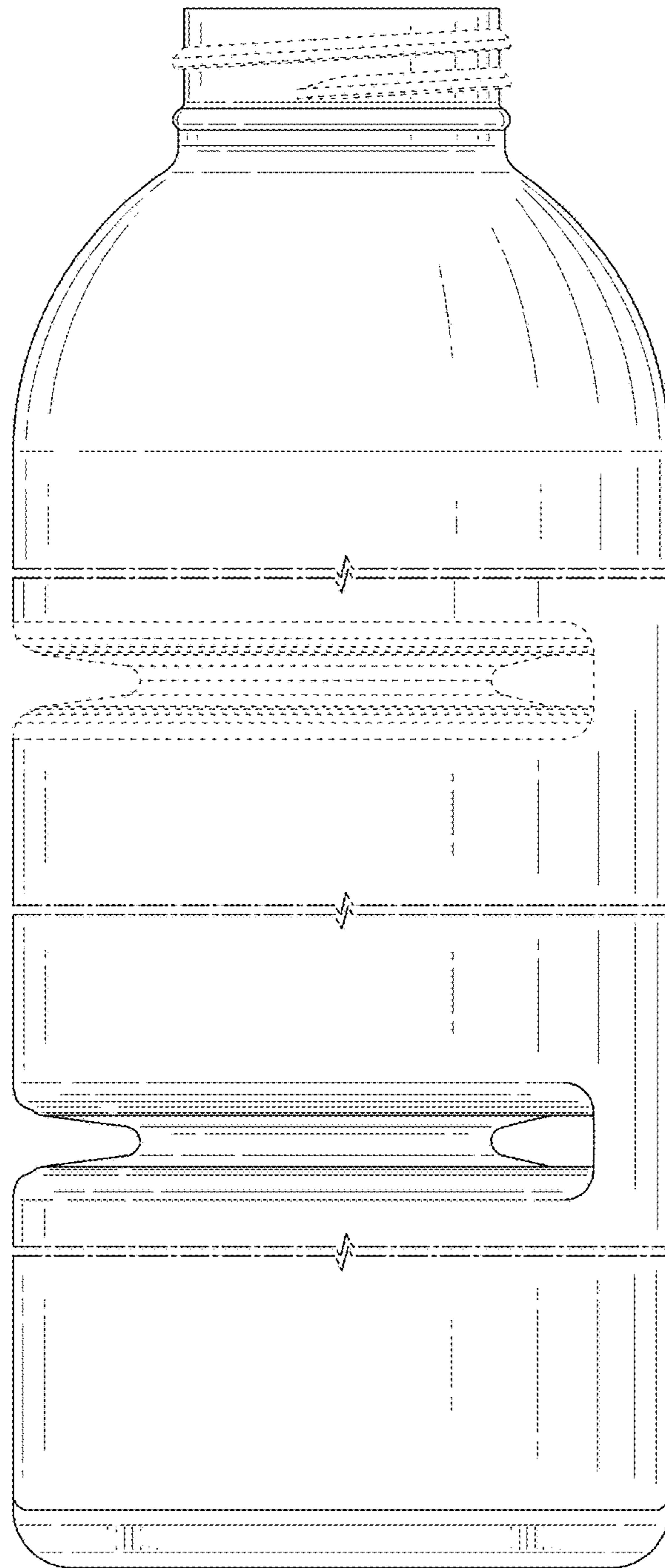


FIG. 5

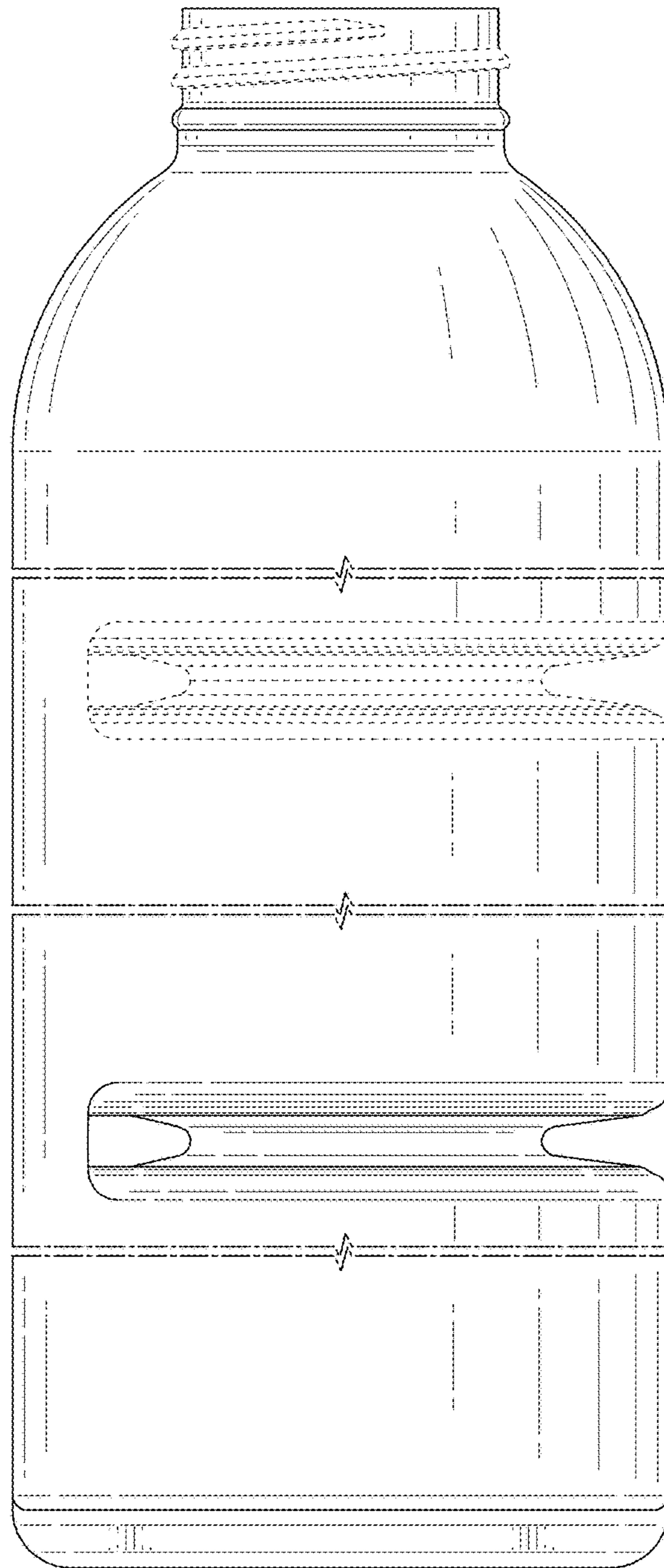


FIG. 6

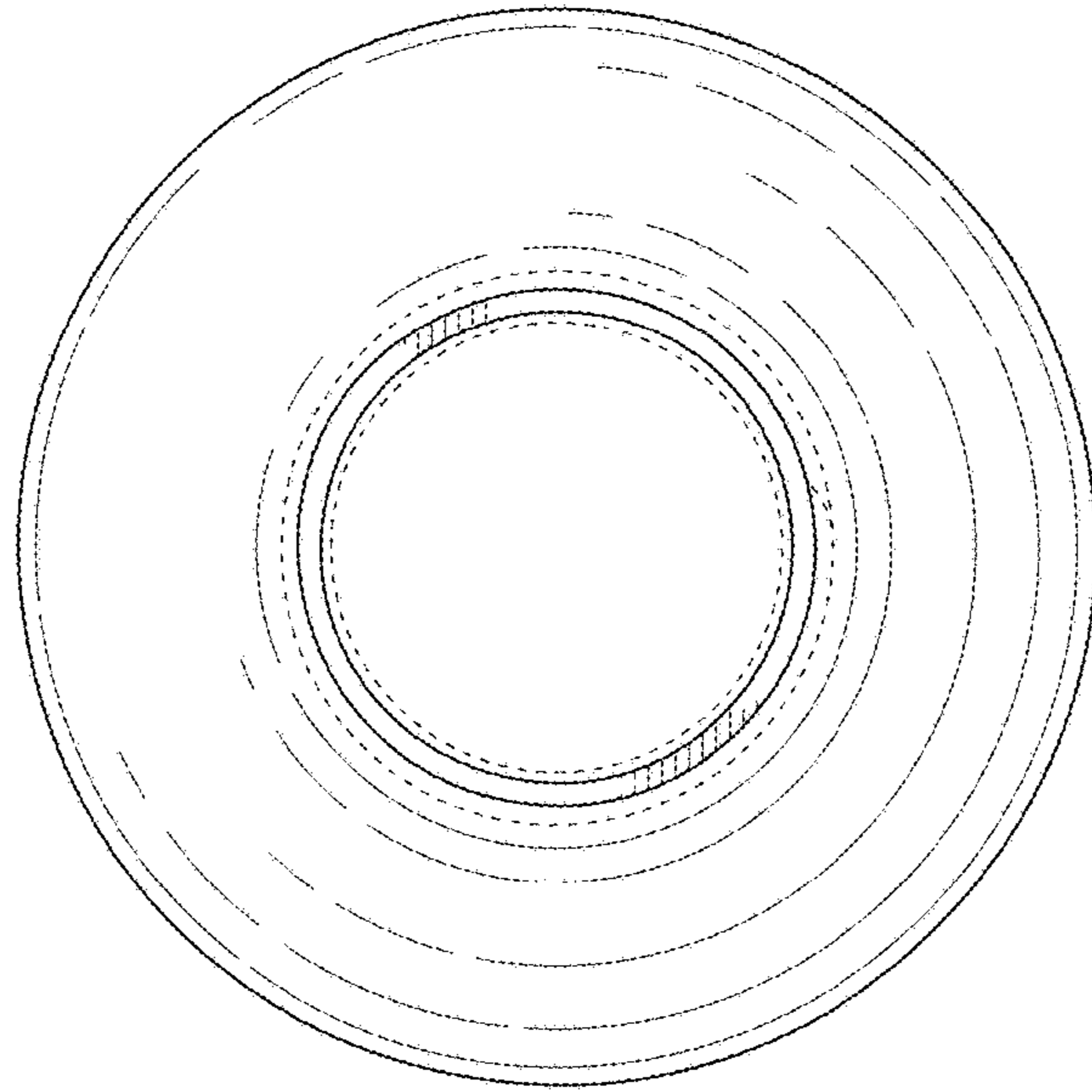


FIG. 7

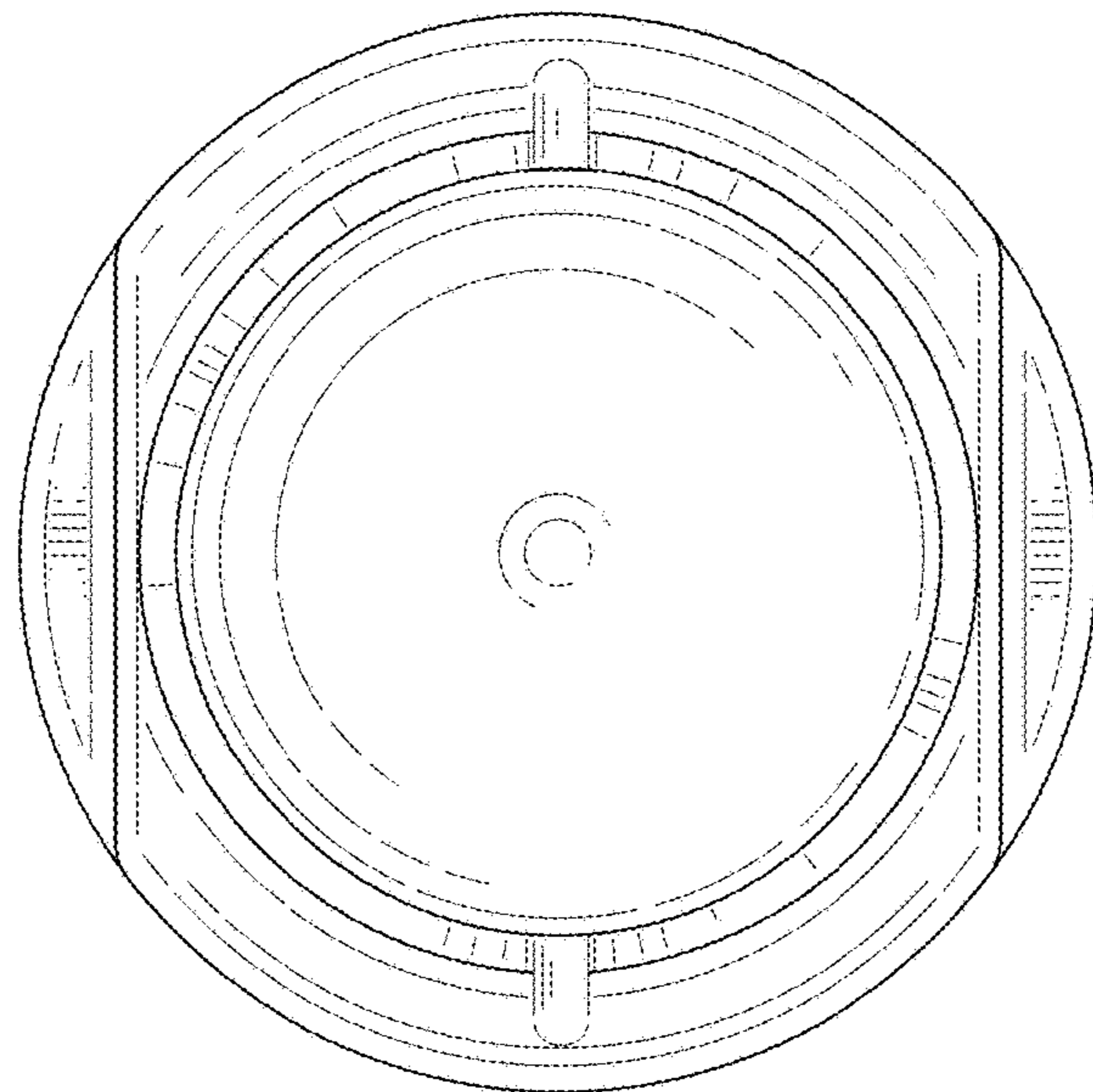


FIG. 8

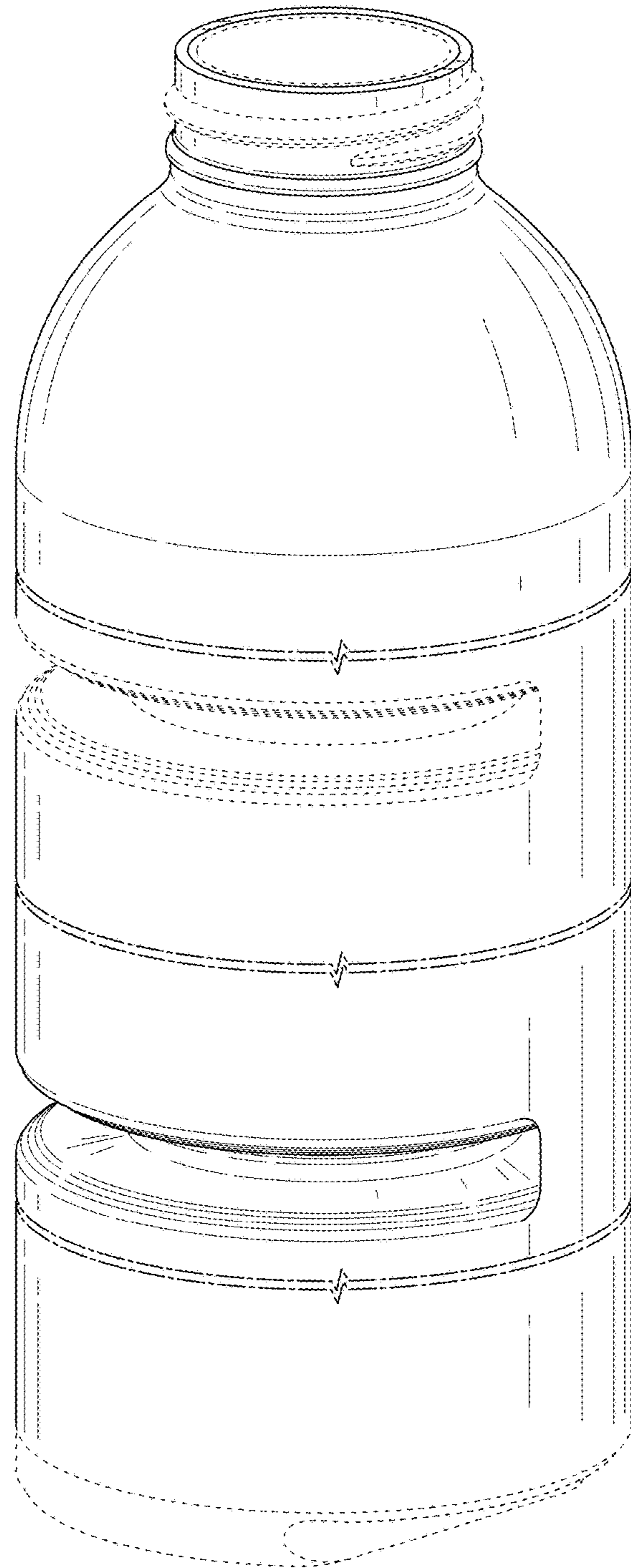


FIG. 9

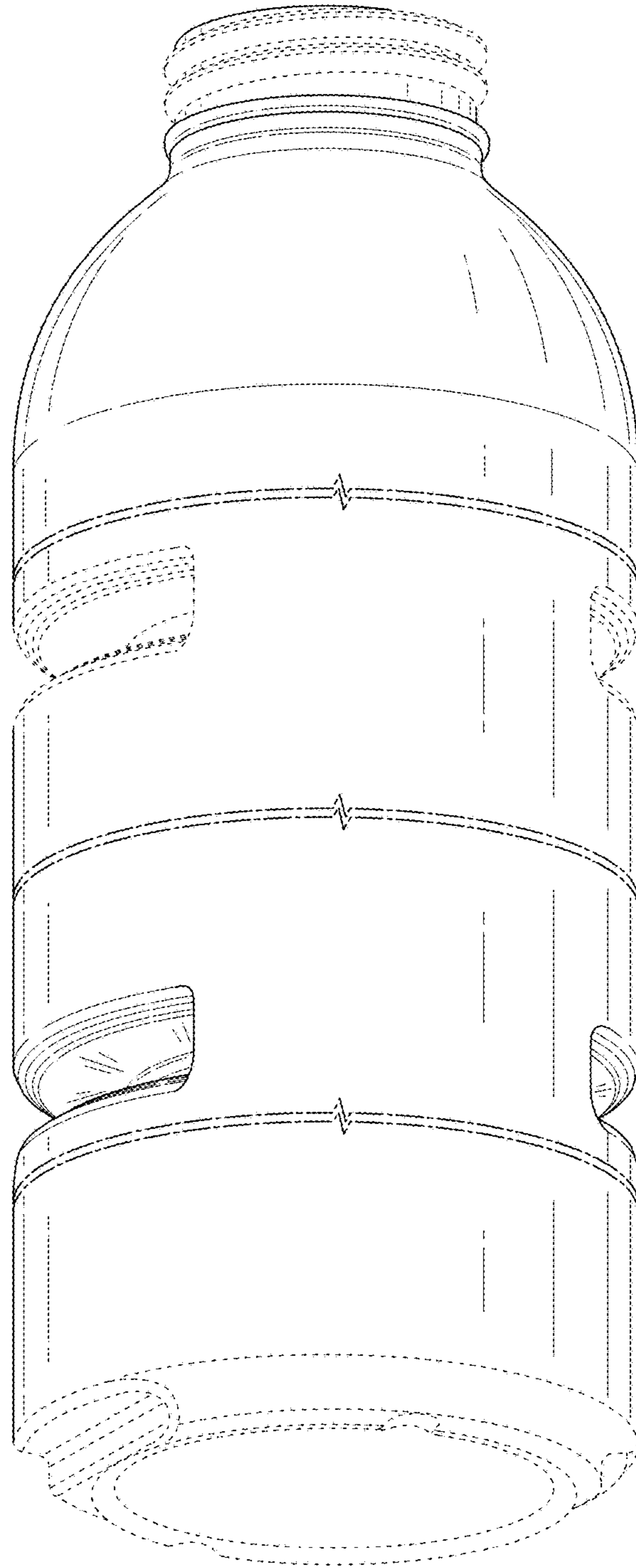


FIG. 10

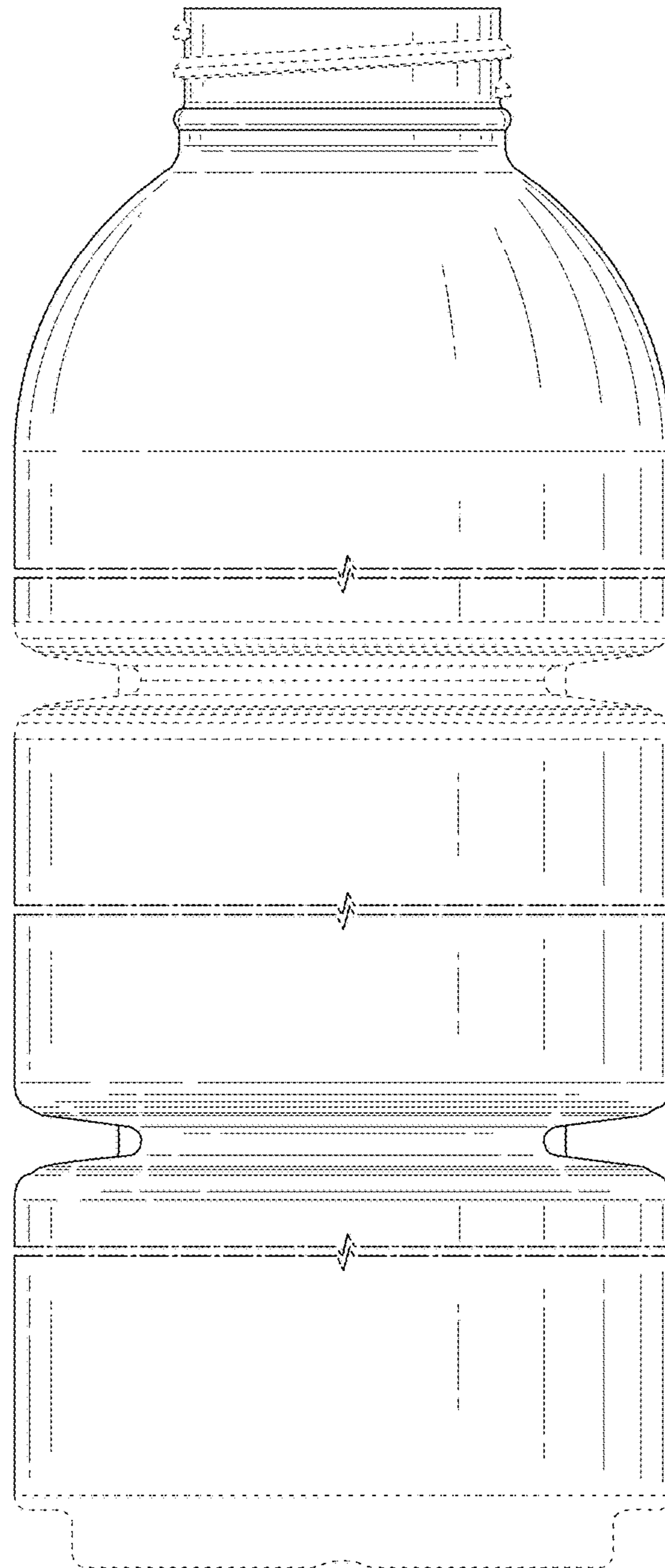


FIG. 11

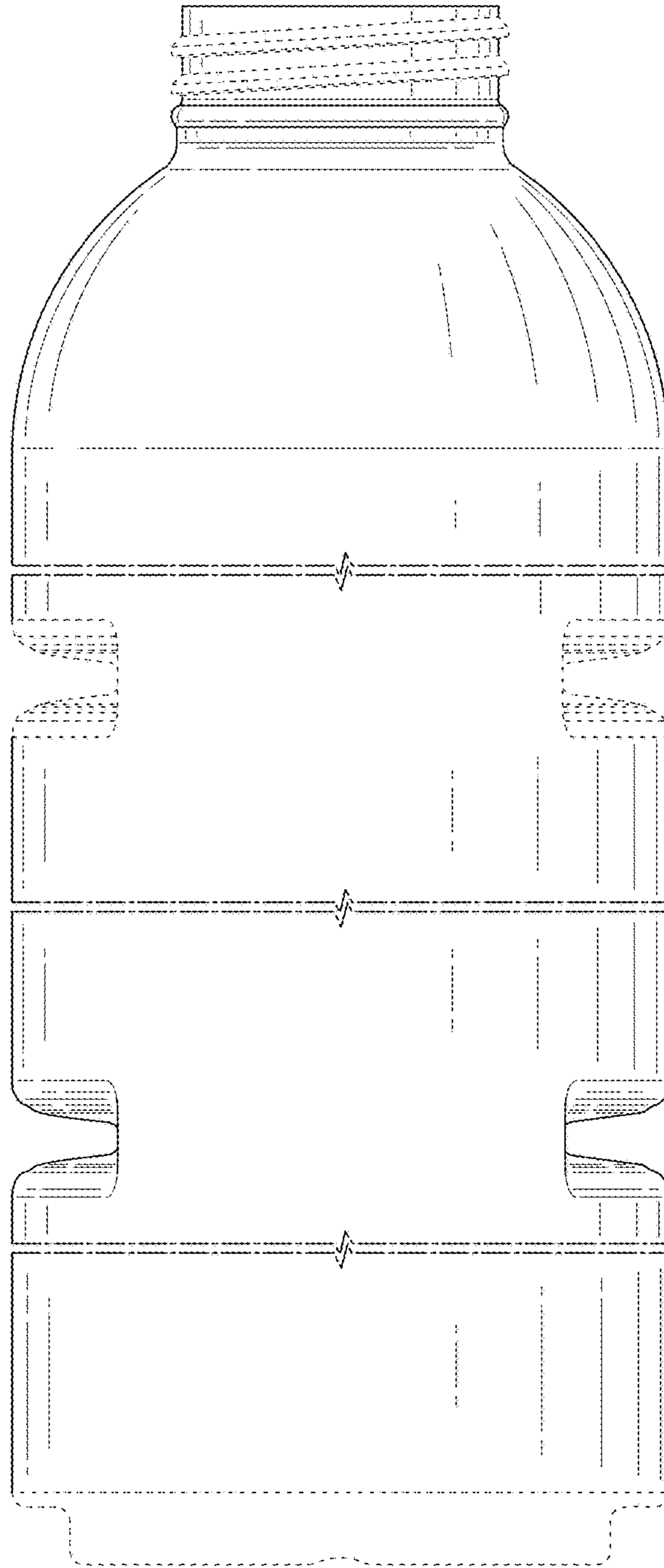


FIG. 12

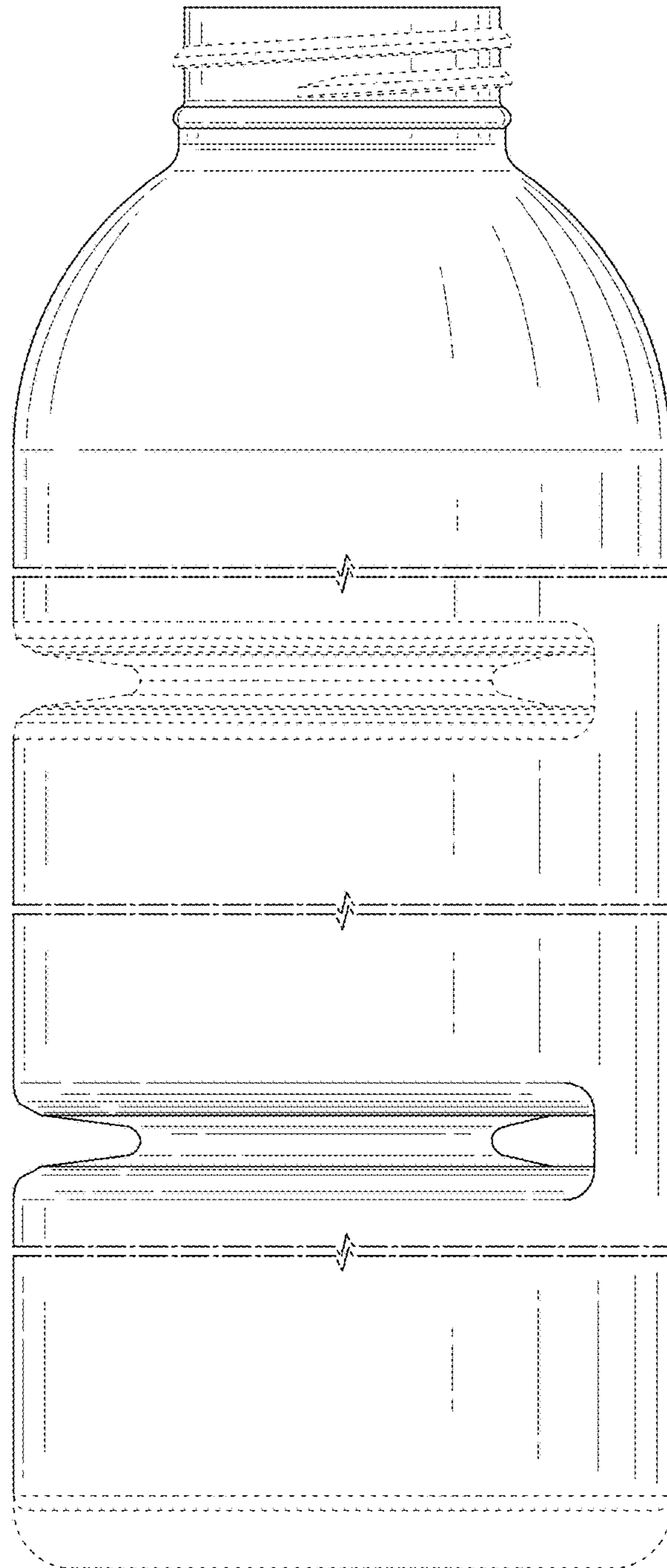


FIG. 13

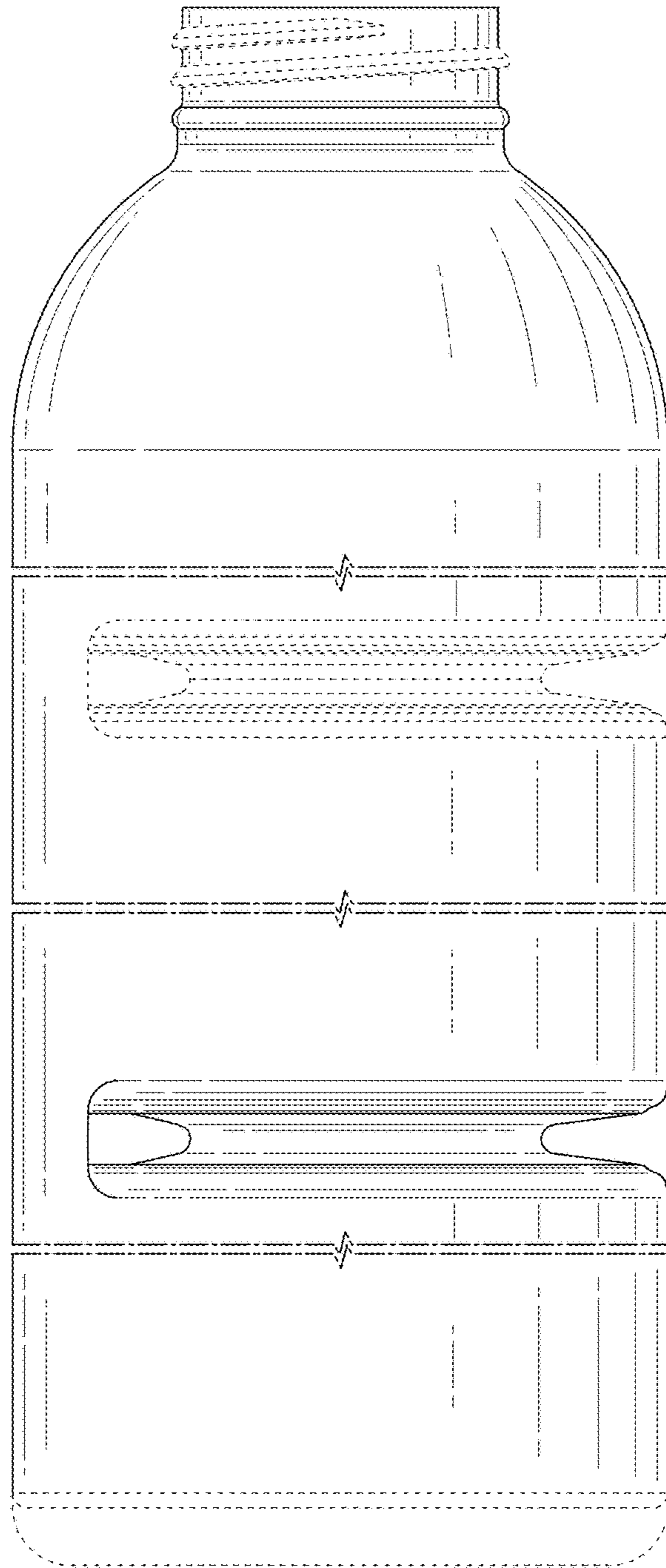


FIG. 14

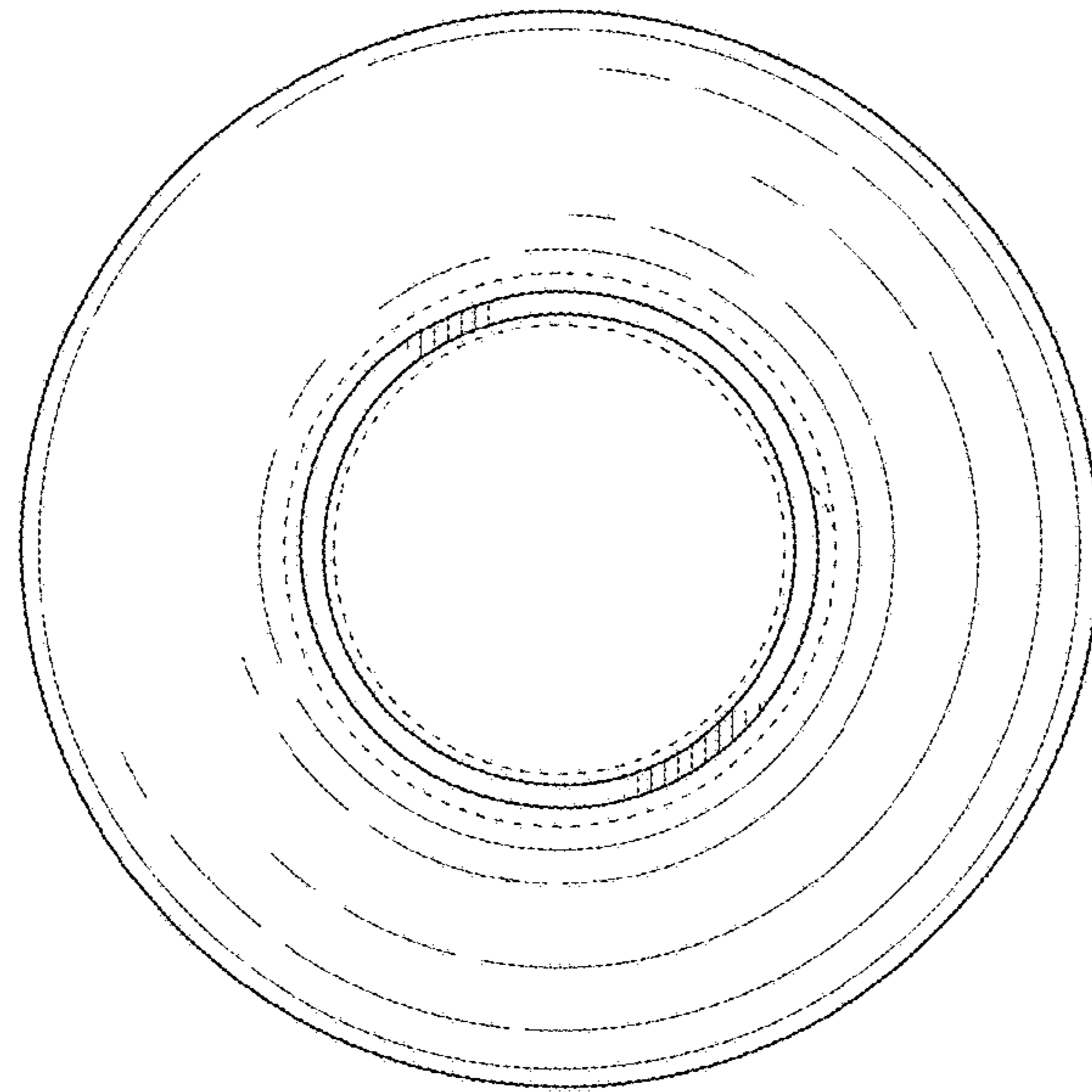


FIG. 15

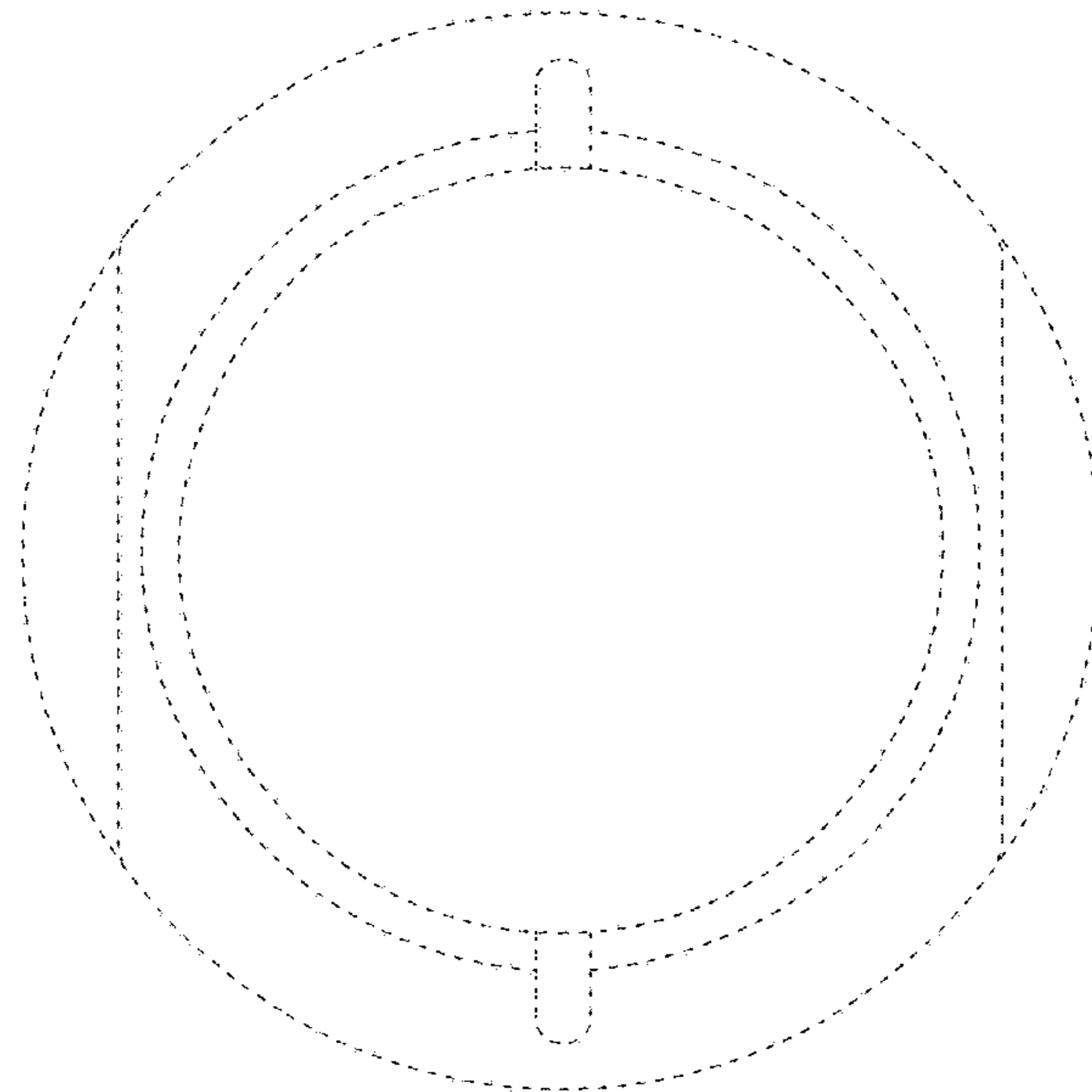


FIG. 16