



US00D850275S

(12) **United States Design Patent**
Kelley et al.

(10) **Patent No.:** **US D850,275 S**
(45) **Date of Patent:** **** Jun. 4, 2019**

- (54) **CONTAINER**
- (71) Applicant: **Ring Container Technologies, LLC**,
Oakland, TN (US)
- (72) Inventors: **Paul Vincent Kelley**, Arlington, TN
(US); **Trevell A. Terry**, Southaven, MS
(US)
- (73) Assignee: **RING CONTAINER**
TECHNOLOGIES, LLC, Oakland,
TN (US)
- (**) Term: **15 Years**
- (21) Appl. No.: **29/619,518**
- (22) Filed: **Sep. 29, 2017**
- (51) **LOC (11) Cl.** **09-01**
- (52) **U.S. Cl.**
USPC **D9/560; D9/574**
- (58) **Field of Classification Search**
USPC D9/516, 539-544, 559, 560, 565, 574,
D9/715, 719; D7/509, 517, 523, 529,
D7/598; D3/202
CPC B65D 1/0223; B65D 1/40; B65D 23/102;
B65D 2501/0081
See application file for complete search history.

D208,731 S	9/1967	Reintsema	
3,372,826 A	3/1968	Heaton	
3,544,338 A	12/1970	Kinney	
D225,211 S	11/1972	Sackler	
D234,911 S	4/1975	Stevens, Jr.	
D247,471 S	3/1978	Strand	
D267,076 S	11/1982	Hurtig	
D269,595 S	7/1983	Murray	
D285,533 S	9/1986	Berish	
D285,904 S	9/1986	Holmstedt	
D308,337 S	6/1990	Weckman	
D313,176 S	12/1990	Okuda et al.	
D333,985 S *	3/1993	Maginnis, Jr.	D9/569
5,261,544 A	11/1993	Weaver, Jr.	
D343,793 S	2/1994	Crawford	
D346,963 S	5/1994	Crawford	
D380,158 S *	6/1997	Olivares	D9/541
D384,890 S	10/1997	Goldman	

(Continued)

Primary Examiner — Ian Simmons
Assistant Examiner — Keith Frank
(74) *Attorney, Agent, or Firm* — Sorell, Lenna &
Schmidt, LLP

(57) **CLAIM**

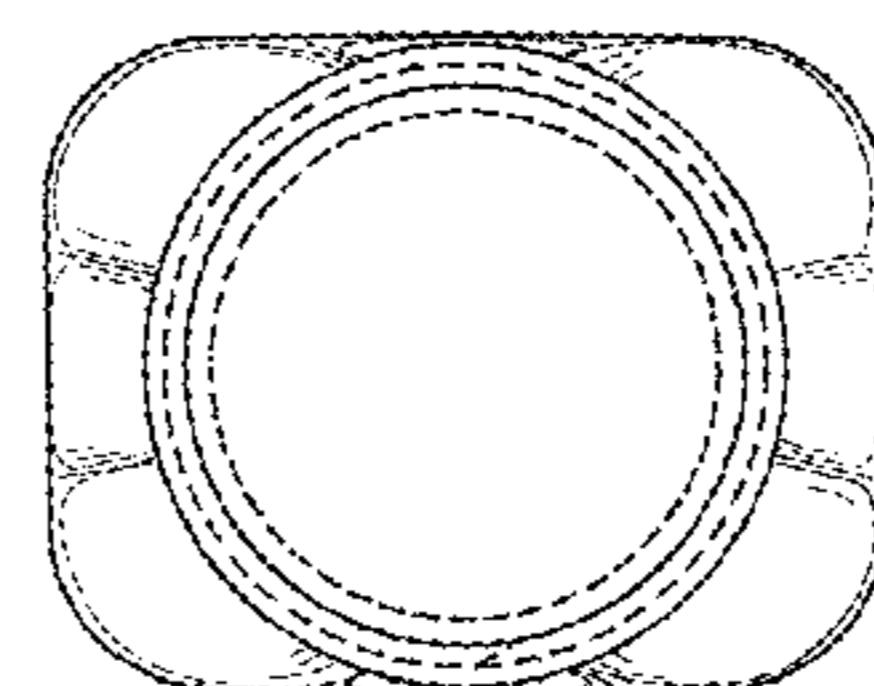
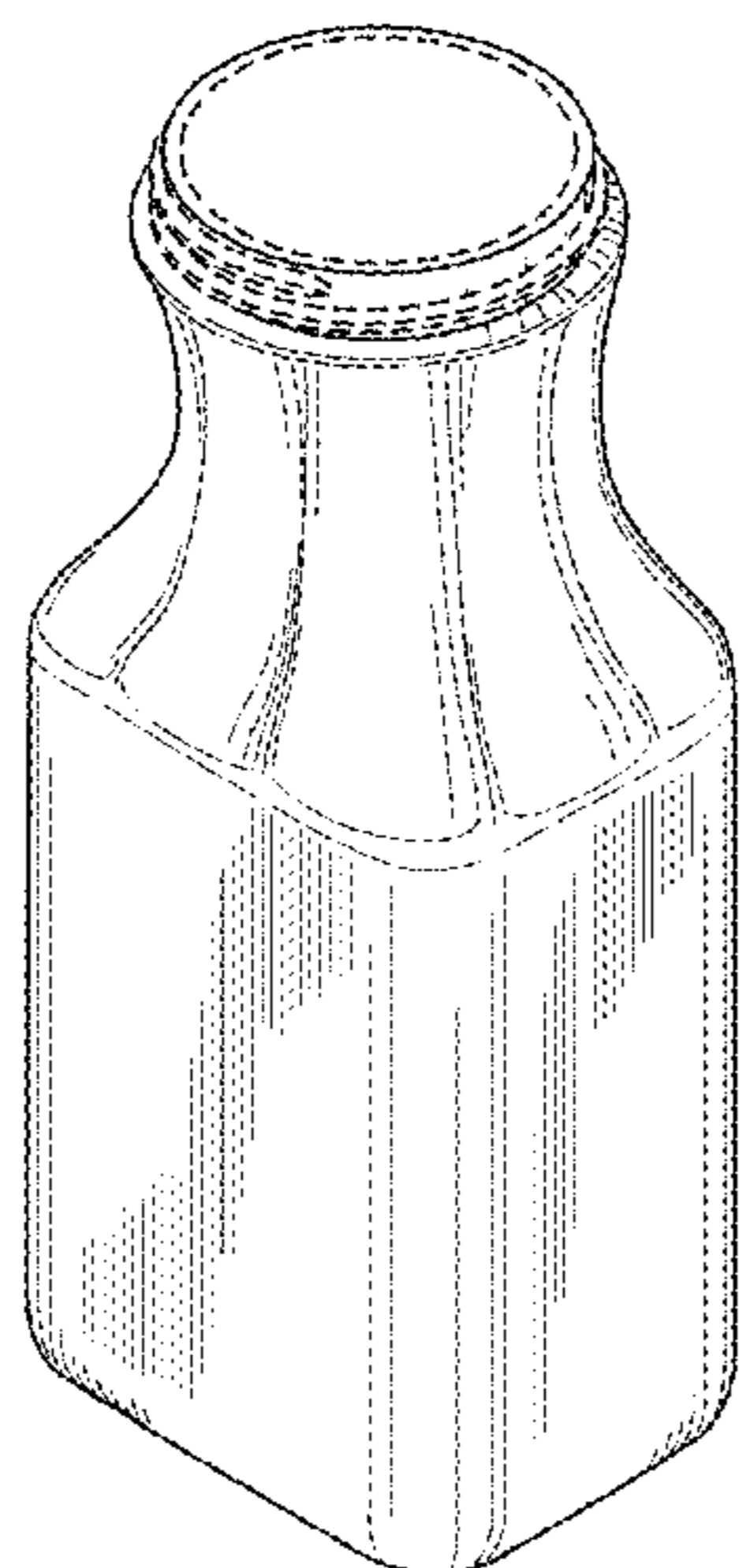
The ornamental design for a container, as shown and described.

DESCRIPTION

FIG. 1 is a perspective view of a container showing our new design;
FIG. 2 is a front elevation view thereof, with the rear elevation view being the same;
FIG. 3 is a right side elevation view thereof, with the left side elevation being the same;
FIG. 4 is a top plan view thereof; and,
FIG. 5 is a bottom plan view thereof.
The broken lines in the drawings showing of the container illustrate the portions of the container that form no part of the claimed design.

1 Claim, 5 Drawing Sheets

- (56) **References Cited**
U.S. PATENT DOCUMENTS
- D25,354 S 4/1896 Smalley
- D25,355 S 4/1896 Smalley
- D31,681 S 10/1899 Miller
- D41,238 S 3/1911 Brawner
- 1,127,141 A 2/1915 Whitcomb
- 1,462,330 A 7/1923 Dunn
- 1,639,398 A 8/1927 Cunningham
- 2,364,126 A 12/1944 Cantor et al.
- 2,452,424 A 10/1948 Bell
- D204,501 S 4/1966 Ferar



(56)

References Cited

U.S. PATENT DOCUMENTS

D395,396	S	6/1998	Kuzma	
D399,756	S	10/1998	Lonczak et al.	
D440,156	S	4/2001	Lonczak et al.	
D449,539	S *	10/2001	Lakatosh	D9/530
D488,060	S *	4/2004	Yourist	D9/560
D491,068	S	6/2004	Hellste	
D491,069	S	6/2004	Hellste	
D496,282	S	9/2004	Hellste	
D526,210	S *	8/2006	Beard	D9/560
D568,754	S *	5/2008	Sequeira	D9/560
D584,955	S *	1/2009	Hackl	D9/538
D600,565	S *	9/2009	Kuzma	D9/563
D635,462	S *	4/2011	Kuzma	D9/542
D656,405	S	3/2012	Byron	
D664,857	S *	8/2012	Finlay	D9/560
D666,915	S *	9/2012	Wiescinski	D9/541
D666,916	S *	9/2012	Enciso	D9/541
D667,731	S *	9/2012	Enciso	D9/541
D668,959	S *	10/2012	Brown	D9/541
D671,415	S *	11/2012	Enciso	D9/541
D721,973	S *	2/2015	Das	D9/542
2004/0104195	A1 *	6/2004	Yourist	B65D 1/0223 215/379

* cited by examiner

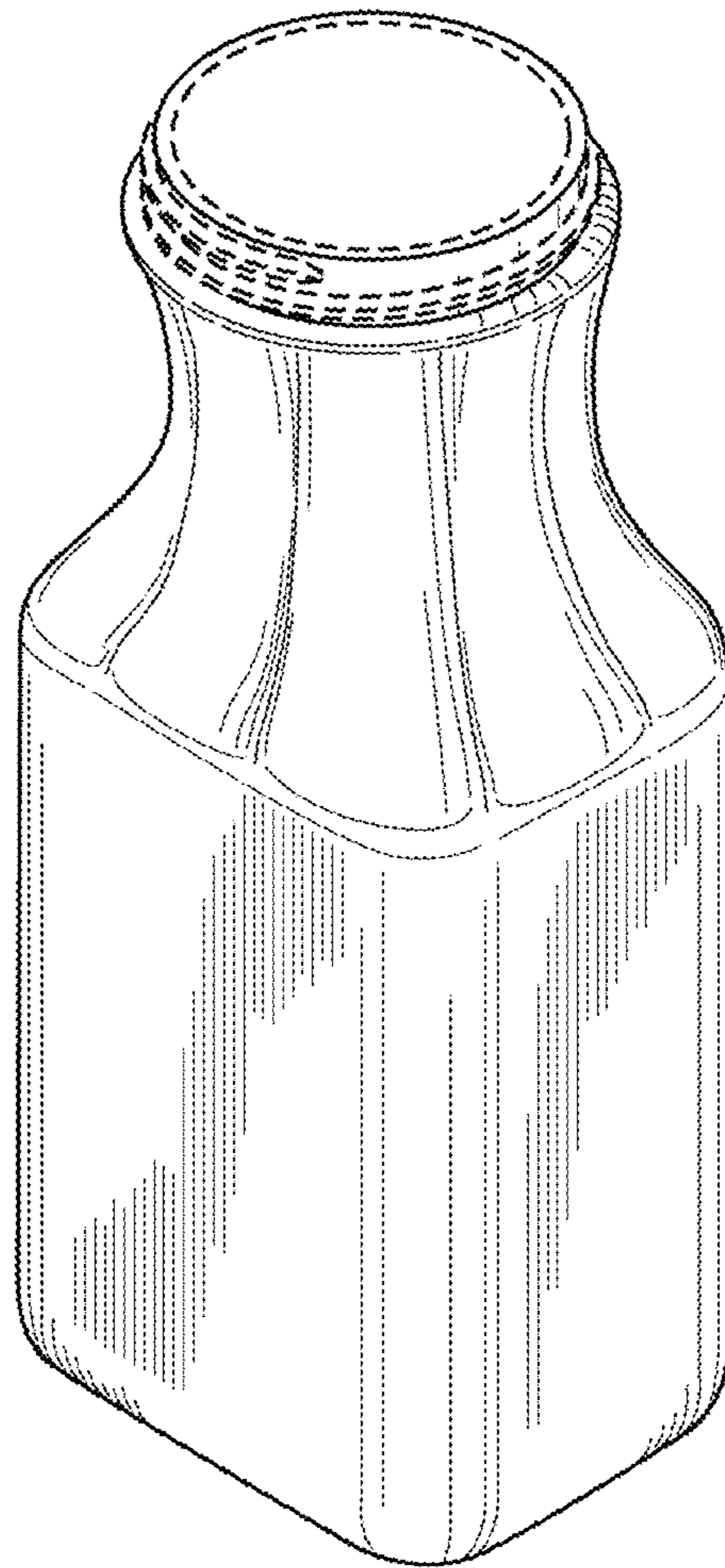


FIG. 1

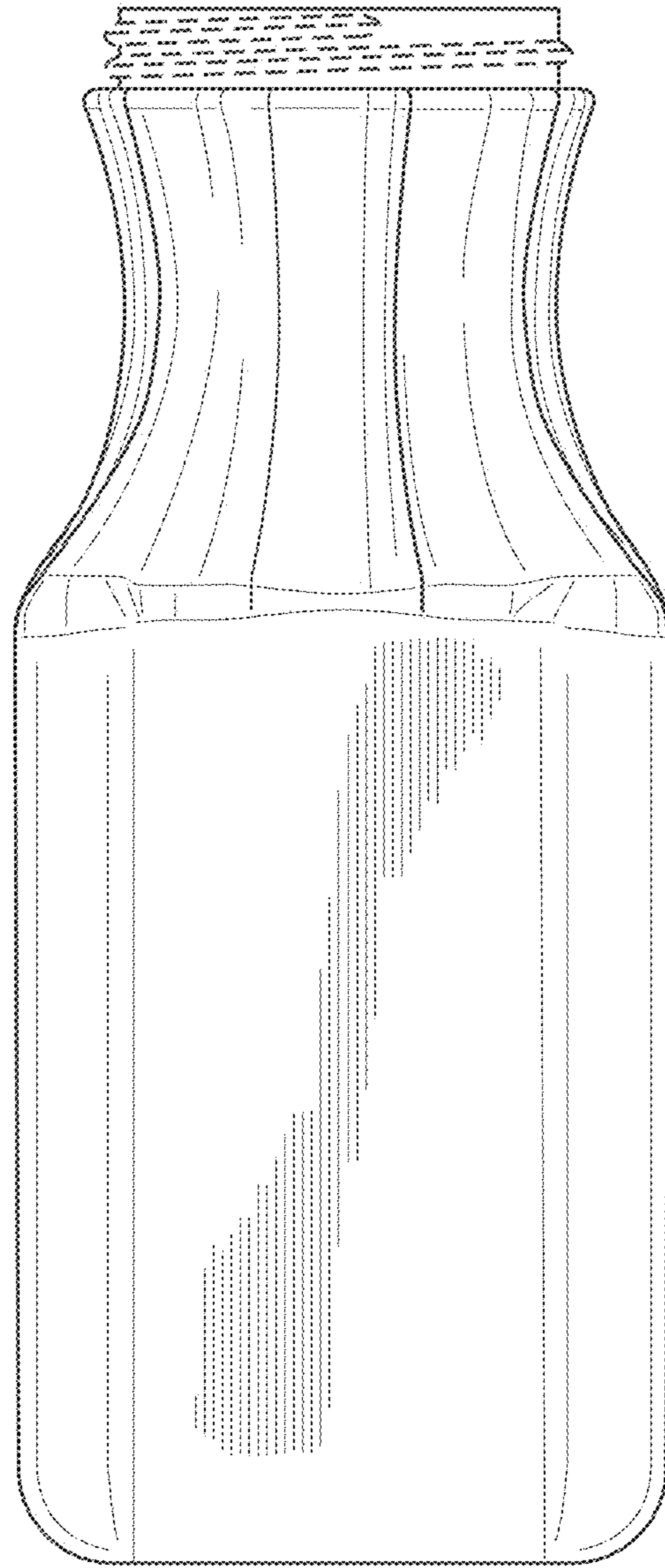


FIG. 2

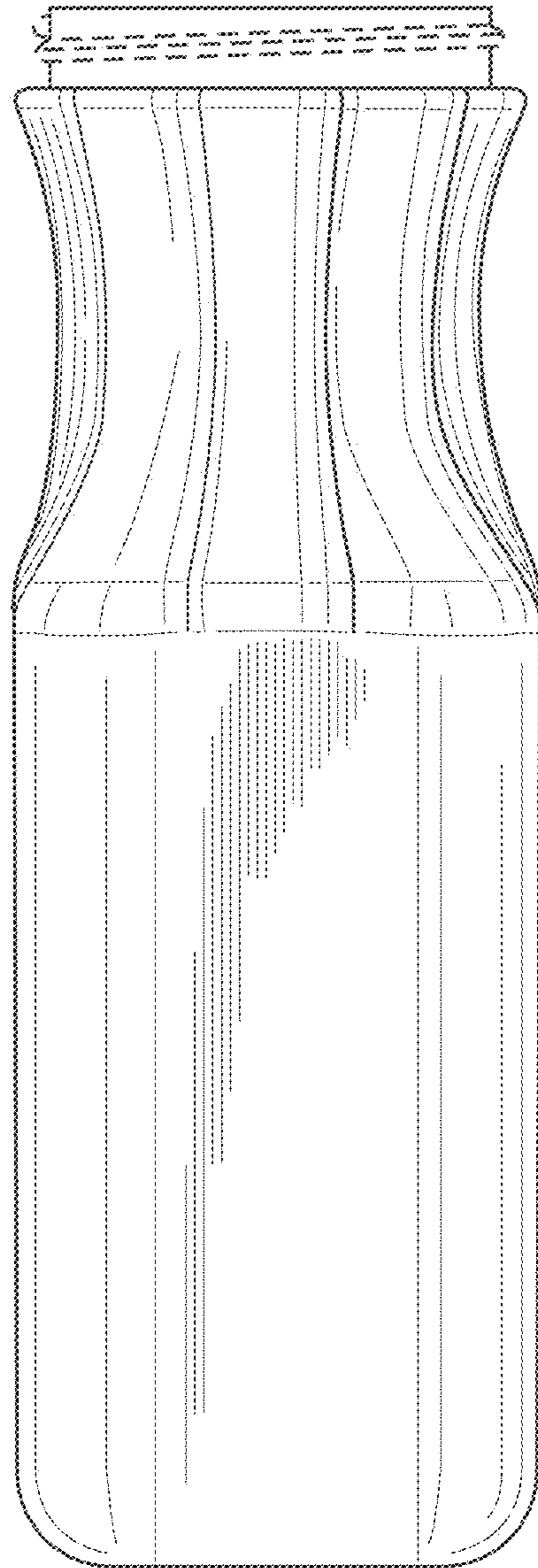


FIG. 3

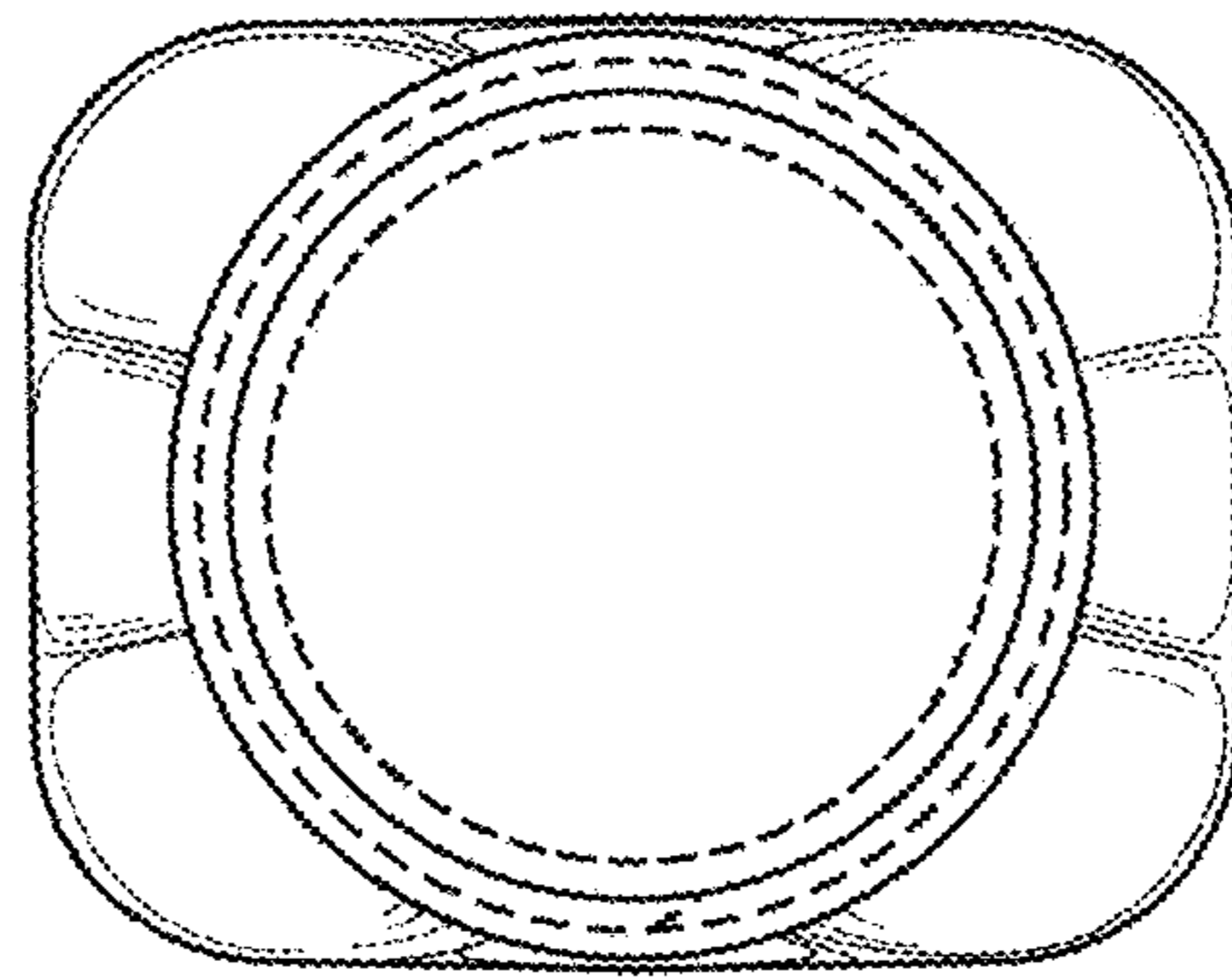


FIG. 4

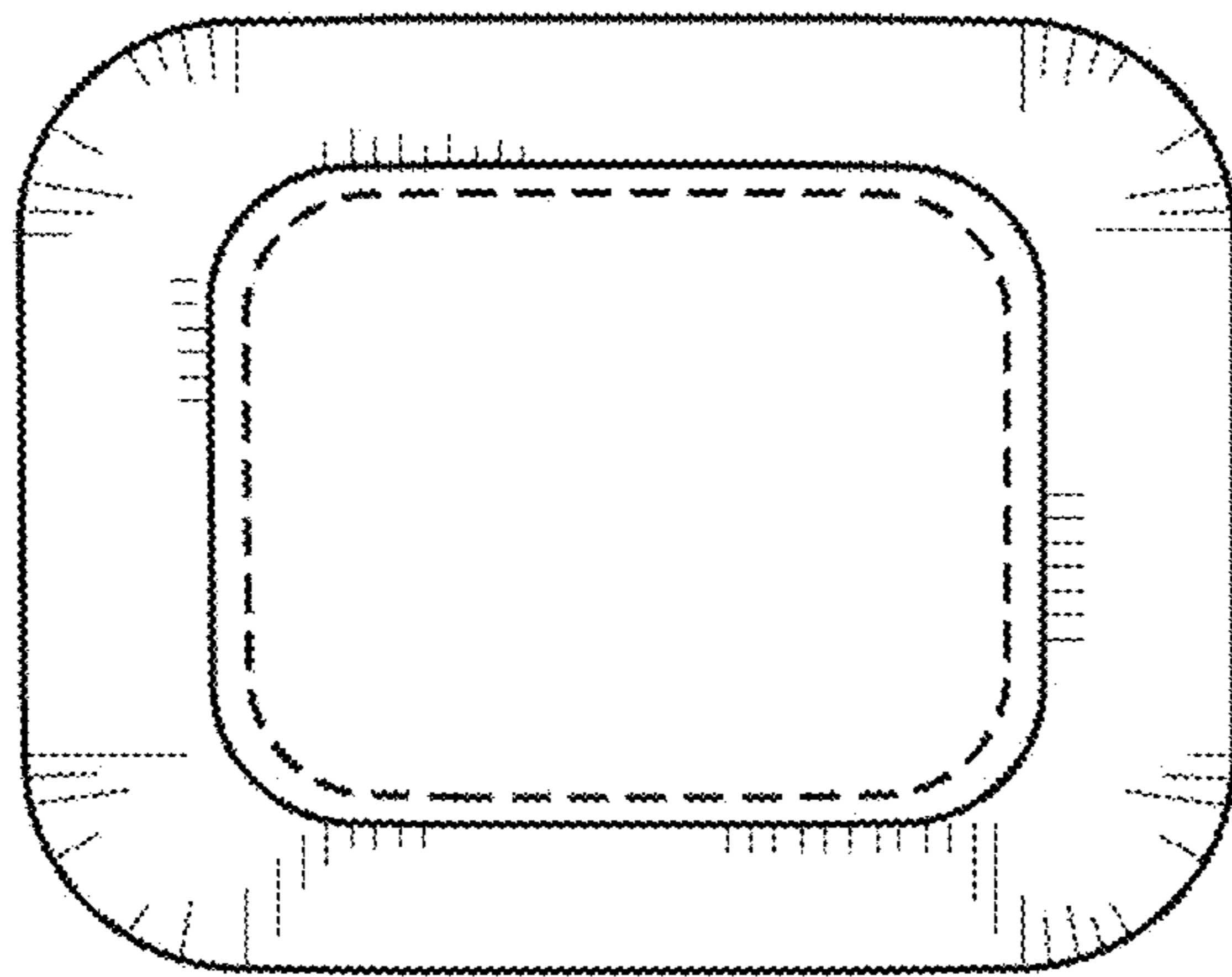


FIG. 5